

US00D904213S

(12) **United States Design Patent**
Krywyj et al.

(10) **Patent No.:** **US D904,213 S**
(45) **Date of Patent:** **** Dec. 8, 2020**

(54) **HYDRANT SENSOR DEVICE**

(71) Applicant: **Orbis Intelligent Systems, Inc.**

(72) Inventors: **Daniel Milne Krywyj**, La Jolla, CA (US); **Jeffrey A. Prsha**, San Diego, CA (US)

(73) Assignee: **Orbis Intelligent Systems, Inc.**, San Diego, CA (US)

(**) Term: **15 Years**

(21) Appl. No.: **29/684,543**

(22) Filed: **Mar. 21, 2019**

(51) **LOC (12) Cl.** **10-04**

(52) **U.S. Cl.**
USPC **D10/96; D10/99**

(58) **Field of Classification Search**
USPC **D10/46, 96, 99**

(Continued)

(56) **References Cited**

U.S. PATENT DOCUMENTS

7,100,440 B2 9/2006 Morisawa et al.
D708,081 S 7/2014 Shibasaki

(Continued)

OTHER PUBLICATIONS

Australian Office Action dated Nov. 8, 2019, issued in Australian Patent Application No. 201915471.

(Continued)

Primary Examiner — Antoine Duval Davis

(74) *Attorney, Agent, or Firm* — Weaver Austin Villeneuve & Sampson LLP

(57) **CLAIM**

We claim the ornamental design for a hydrant sensor device, as shown and described.

DESCRIPTION

FIG. 1 depicts an isometric view of a first hydrant sensor device.

FIG. 2 depicts a front view of the first hydrant sensor device of FIG. 1.

FIG. 3 depicts a back view of the first hydrant sensor device of FIG. 1.

FIG. 4 depicts a side view of the first hydrant sensor device of FIG. 1.

FIG. 5 depicts the other side view of the first hydrant sensor device of FIG. 1.

FIG. 6 depicts an off-angle view of the first hydrant sensor device of FIG. 1.

FIG. 7 depicts another off-angle view of the first hydrant sensor device of FIG. 1.

FIG. 8 depicts a top view of the first hydrant sensor device of FIG. 1; and,

FIG. 9 depicts a bottom view of the first hydrant sensor device of FIG. 1.

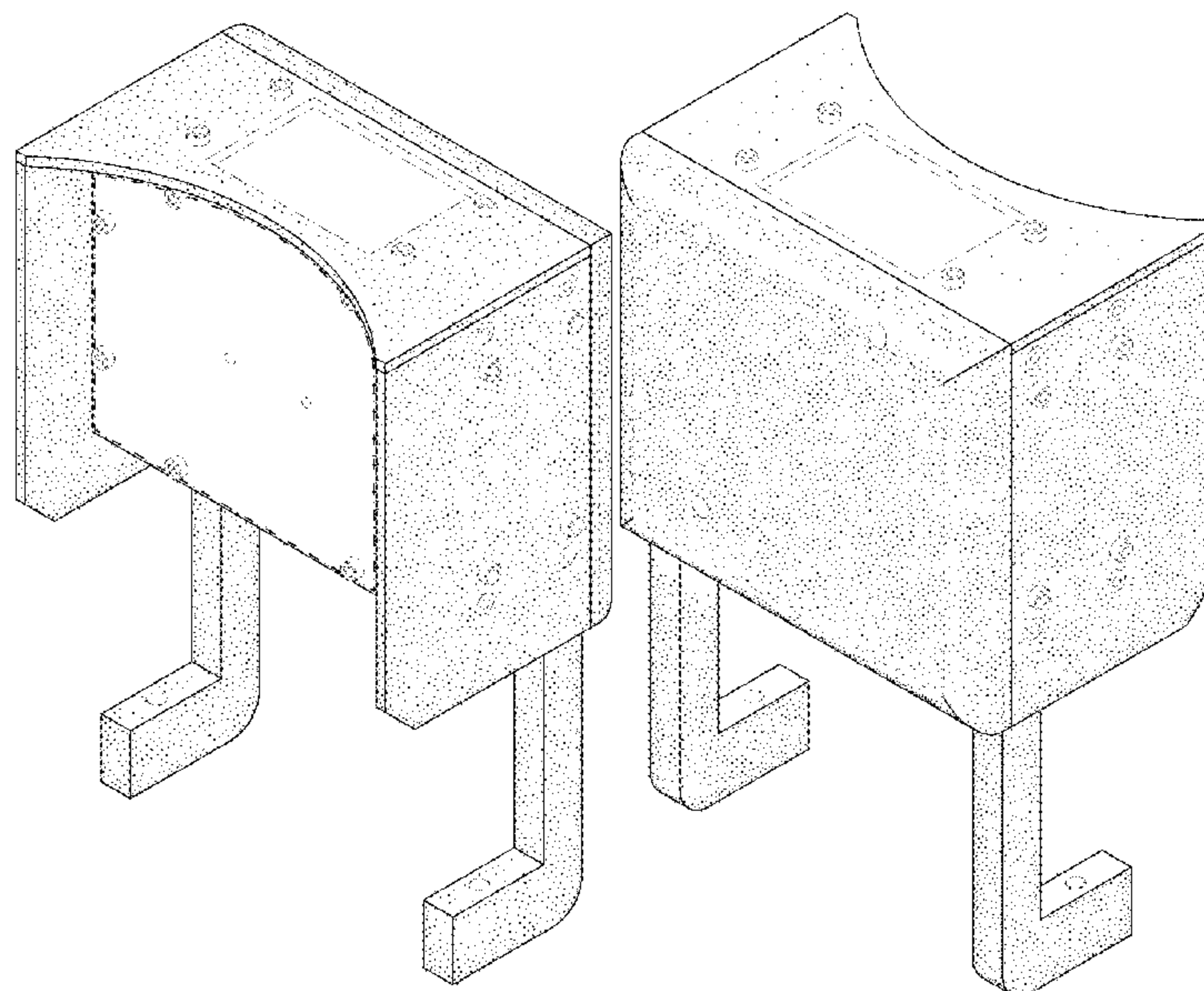
The hydrant sensor device in the accompanying figures may be positioned on a fluid conduit, such as a fire hydrant or a pipe.

Stipple shading is used in the accompanying Figures to convey surface contouring and not texture.

Broken lines are used to depict features or elements that are not considered to be part of the claimed design; the dash-dot-dash boundary line in FIGS. 1, 2, and 7 indicates a transition between claimed and unclaimed subject matter as evidenced by the absence of shading within the boundary shape and the presence of shading outside of the boundary shape.

It is to be understood that many of the surface intersections in the depicted embodiments may intersect such that a blended or lightly-rounded edge is formed. As such, there may be no “hard” edge present at such locations. A virtual edge may nonetheless be defined at such locations, as represented by a “tangent line” or “tangent edge” which are depicted as grey, dash-dot-dot lines.

1 Claim, 4 Drawing Sheets



(58) **Field of Classification Search**

CPC G01F 1/40; G01F 1/42; G01F 1/44; G01F 1/46; G01F 1/74; G01F 11/003; G01F 11/006; G01F 1/6842; G01F 1/6845; G01F 5/00; G01F 3/00; G01F 3/02; G01F 3/04; G01F 3/06; G01F 3/065; G01F 3/08; G01F 3/10; G01F 3/12; G01F 25/0007; G01F 1/66; G01F 1/662; G01F 15/005; G01F 15/06; G01F 15/0755; G01F 1/34; G01F 1/68; G01N 21/03; G01N 21/05; G01N 2021/0378; G01N 2021/0382; G01N 2021/052; G01N 2021/054; G01N 2021/056; G01N 2021/058; G08B 21/20; G08B 21/182; G06Q 50/06; D06F 39/081; E03B 7/071; G01M 3/28; Y02A 20/15; F02D 41/187; F02M 69/48

See application file for complete search history.

(56)

References Cited

U.S. PATENT DOCUMENTS

D883,814 S * 5/2020 Flachsbart D10/96
D883,815 S * 5/2020 Billman D10/96

OTHER PUBLICATIONS

Chinese Office Action dated Apr. 13, 2020, issued in Chinese Patent Application No. 201930518844.9.

New Zealand Office Action dated Sep. 24, 2019, issued in New Zealand Patent Application No. 426574.

U.S. Appl. No. 29/684,538, filed Mar. 21, 2019, Krywyj et. al.

U.S. Office Action dated Apr. 6, 2020 in U.S. Appl. No. 29/684,538.

U.S. Notice of Allowance dated Jun. 16, 2020 in U.S. Appl. No. 29/684,538.

* cited by examiner

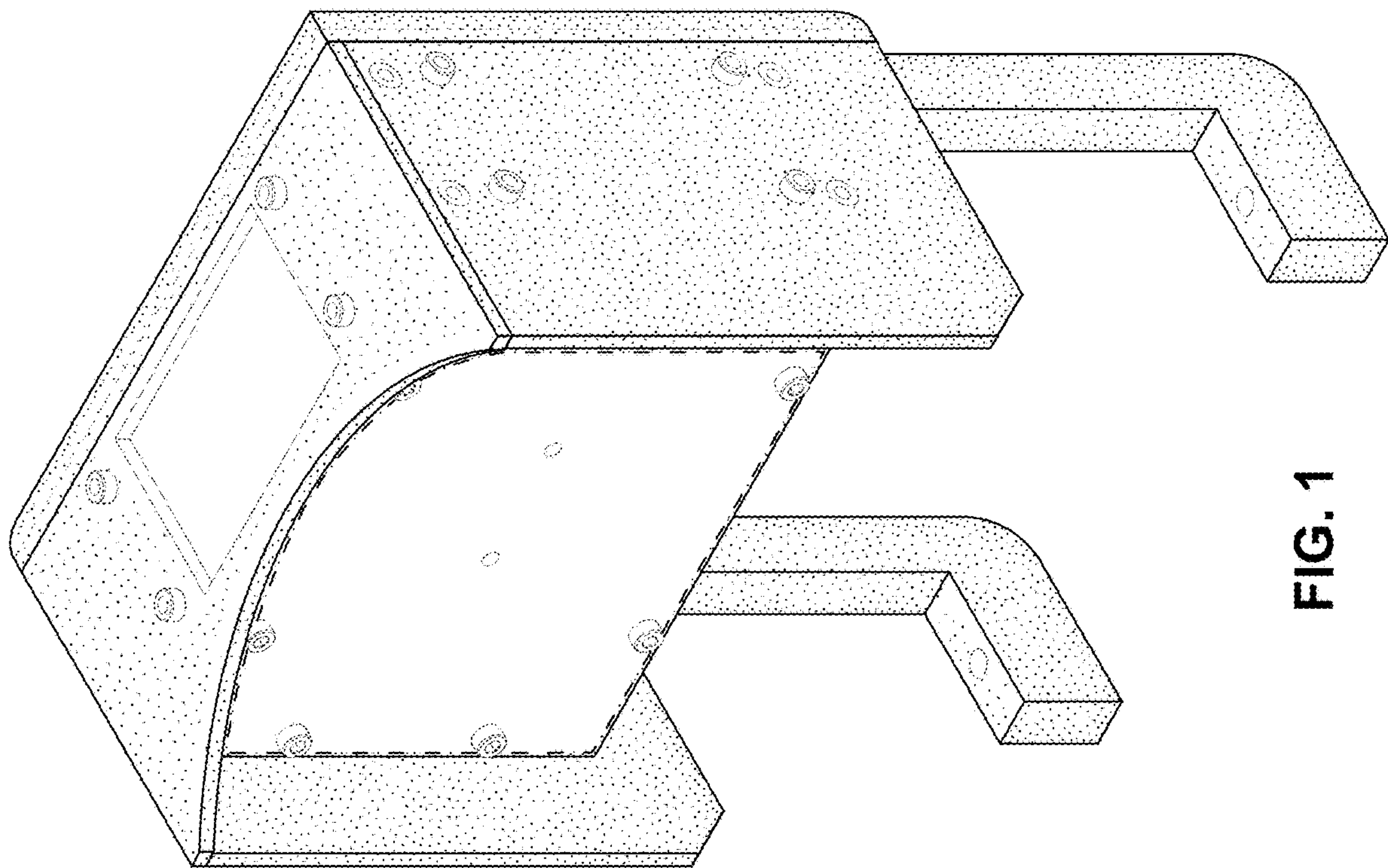


FIG. 1

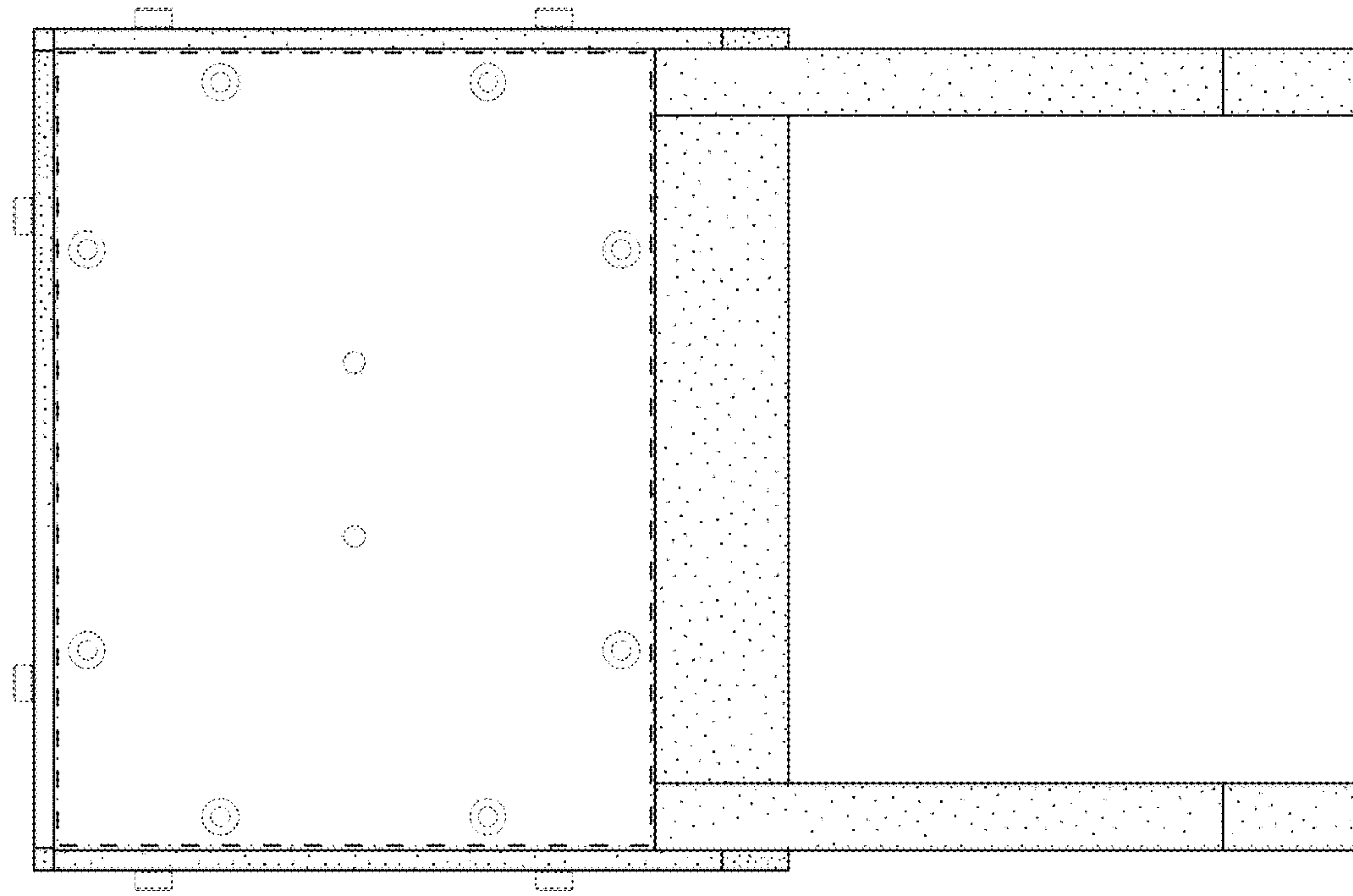


FIG. 2

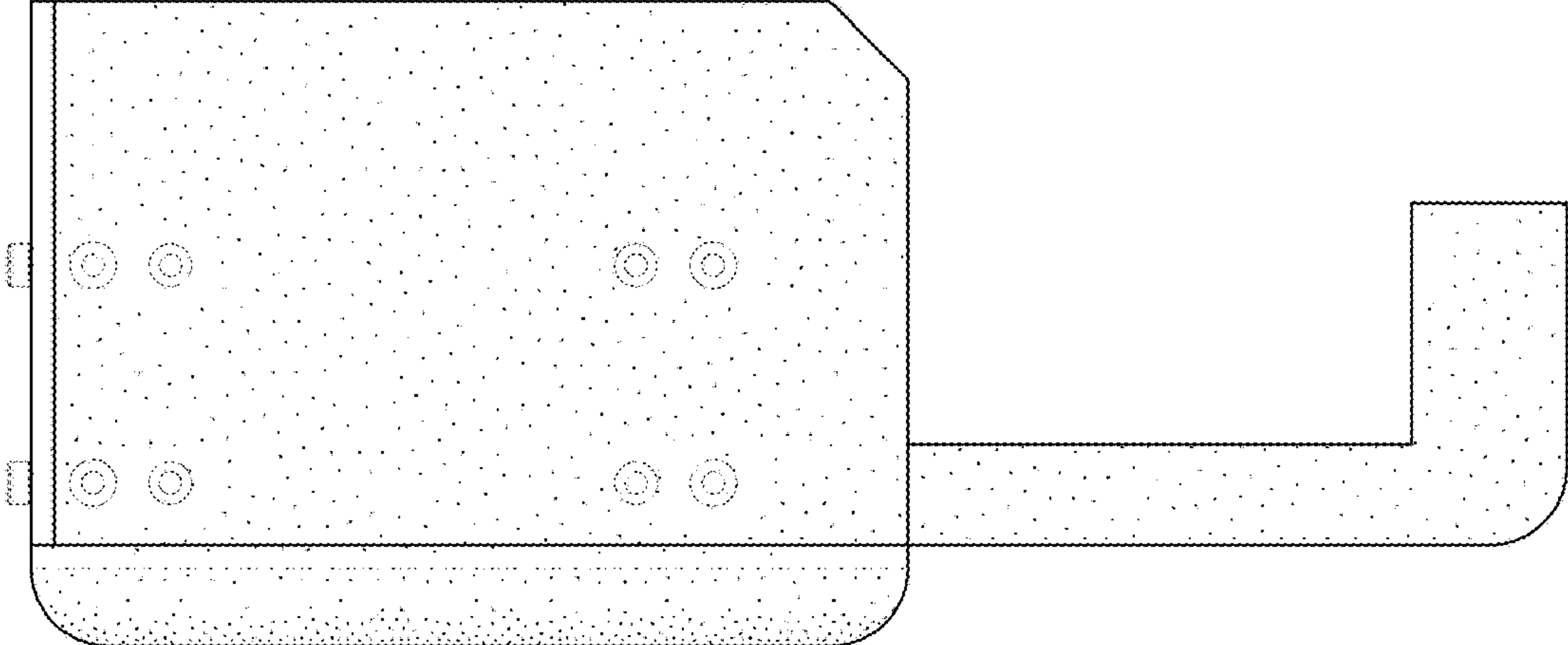


FIG. 5

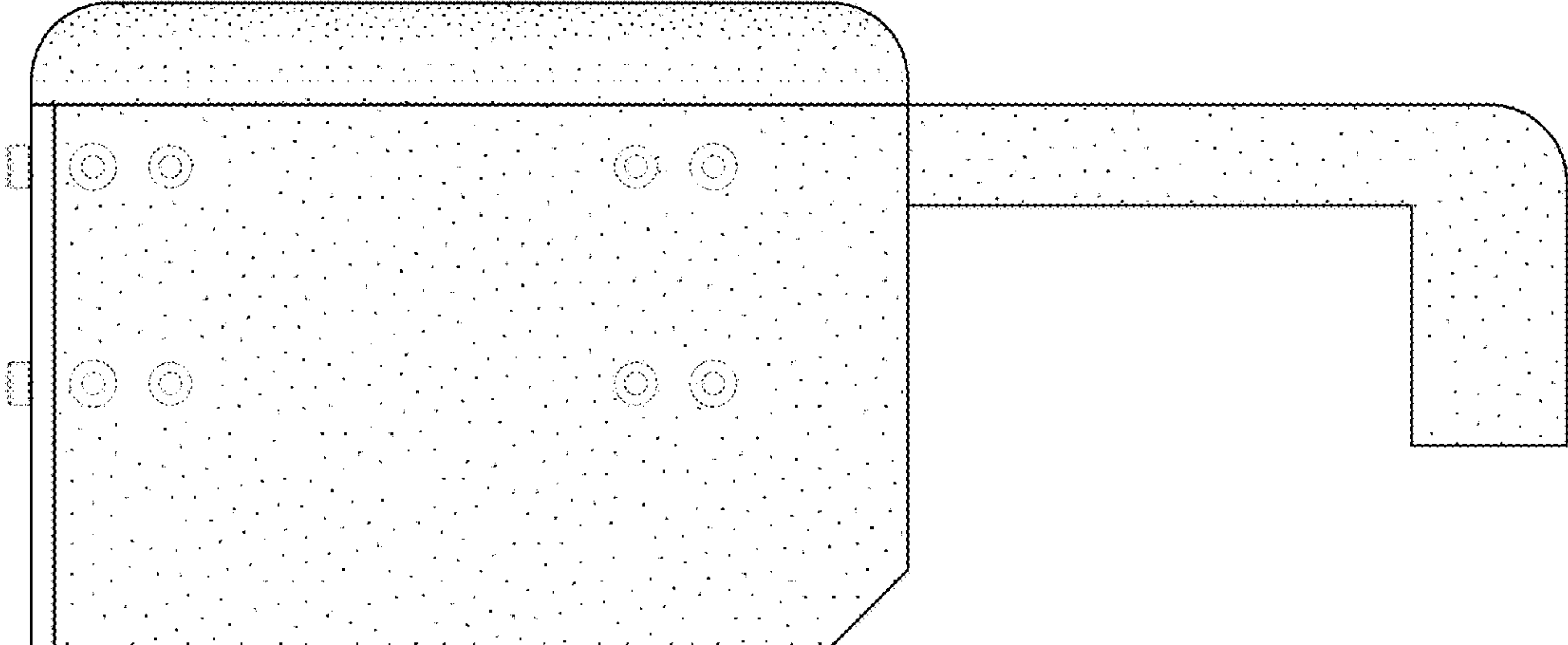


FIG. 4

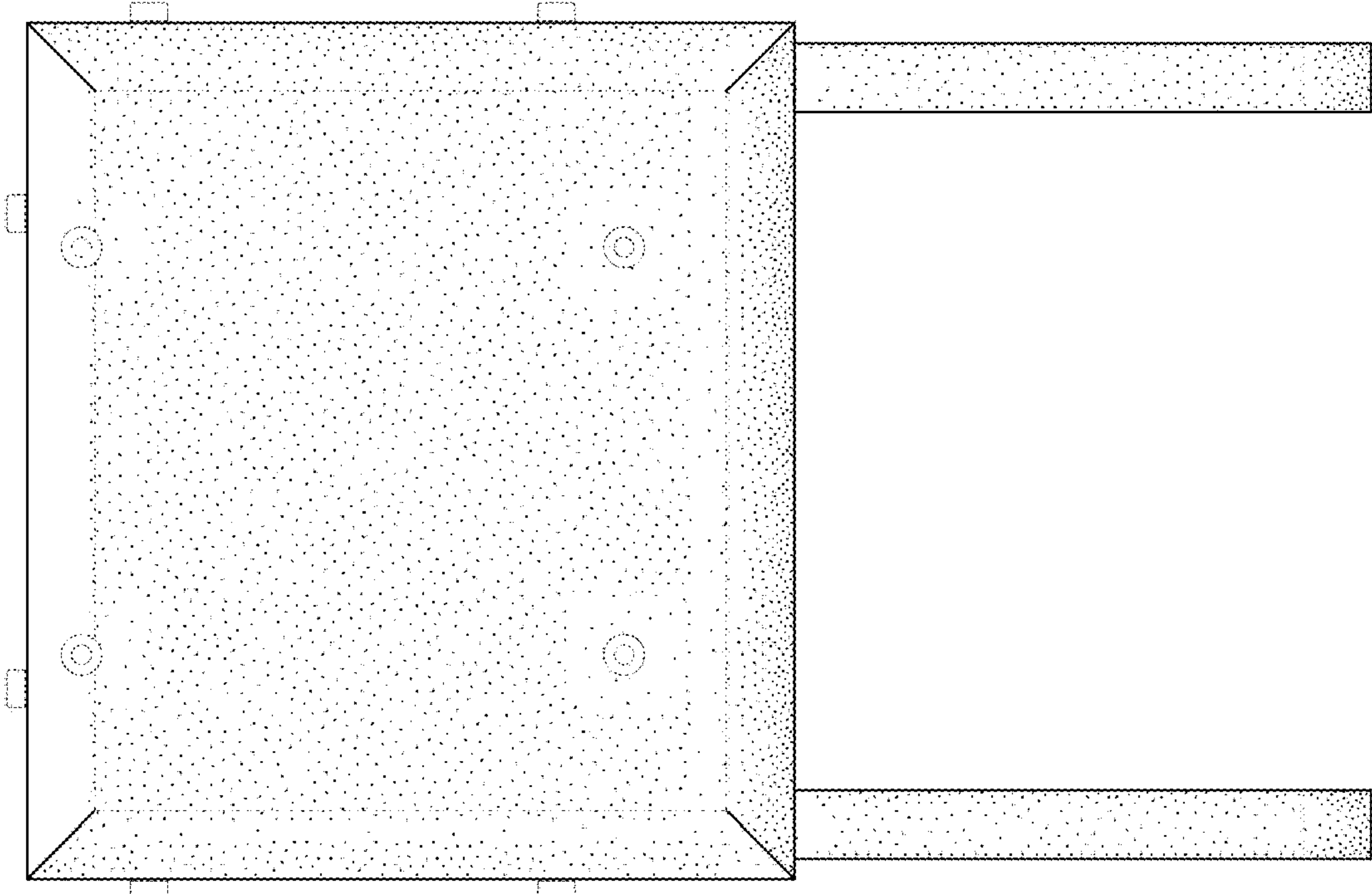


FIG. 3

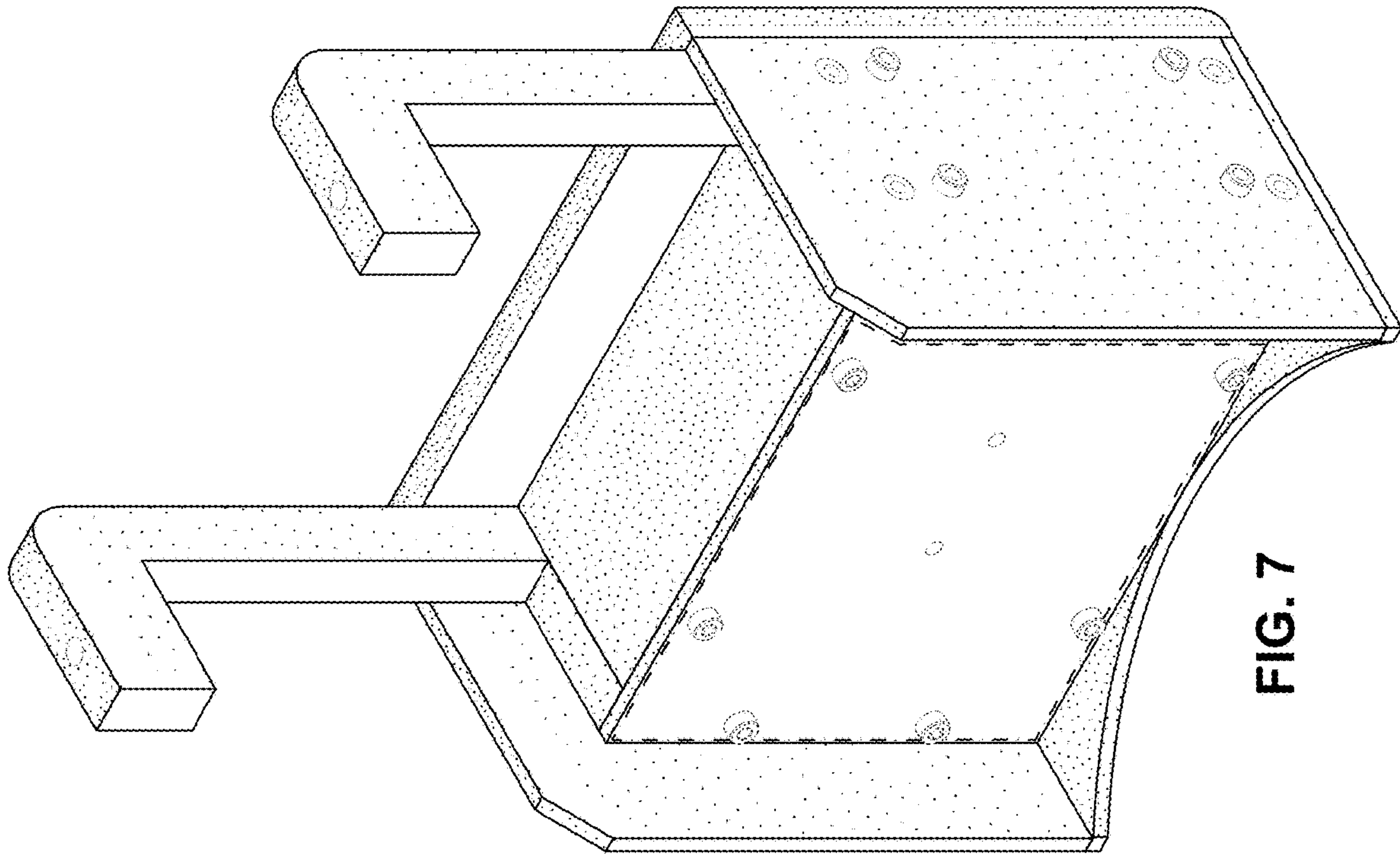


FIG. 7

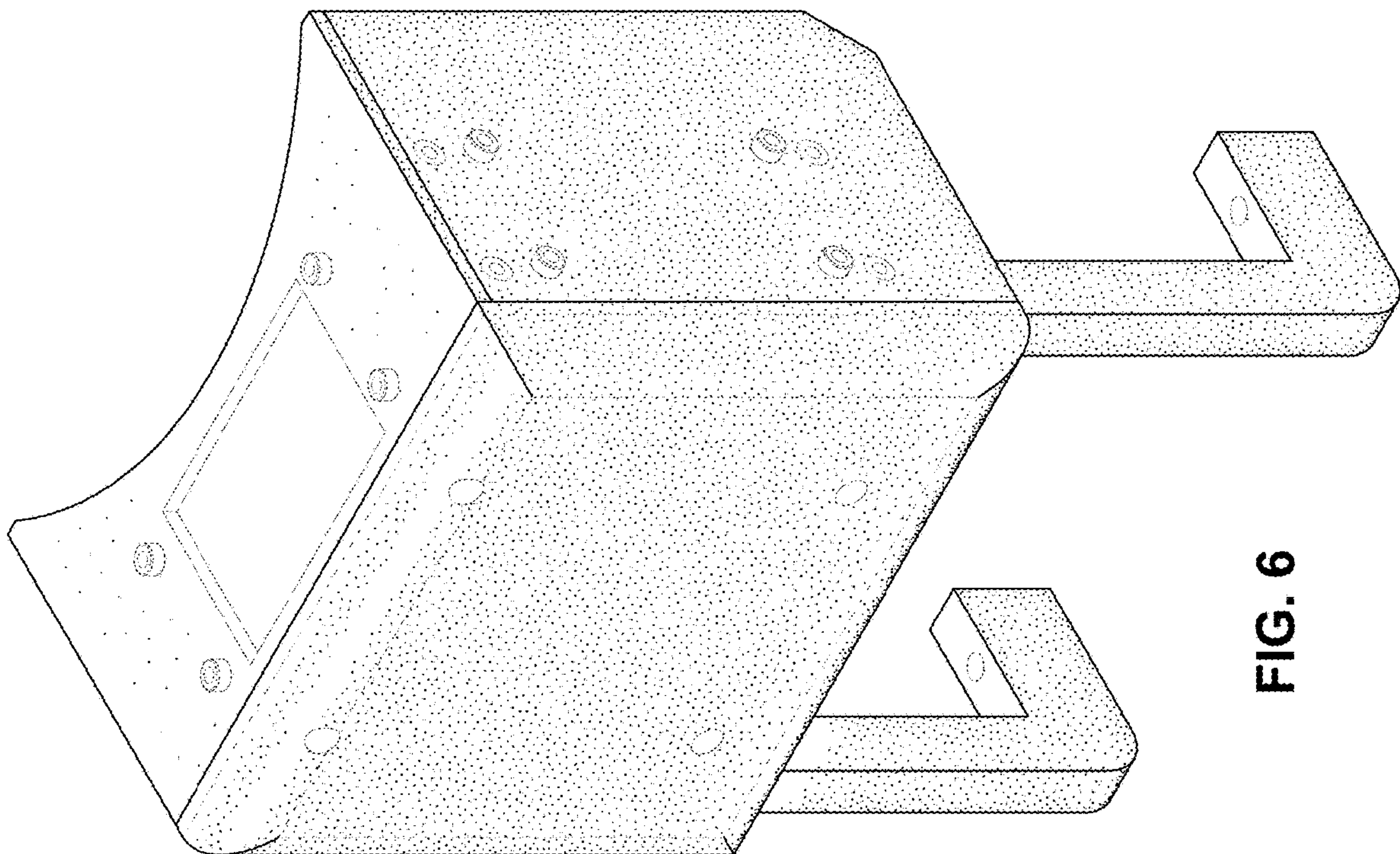


FIG. 6

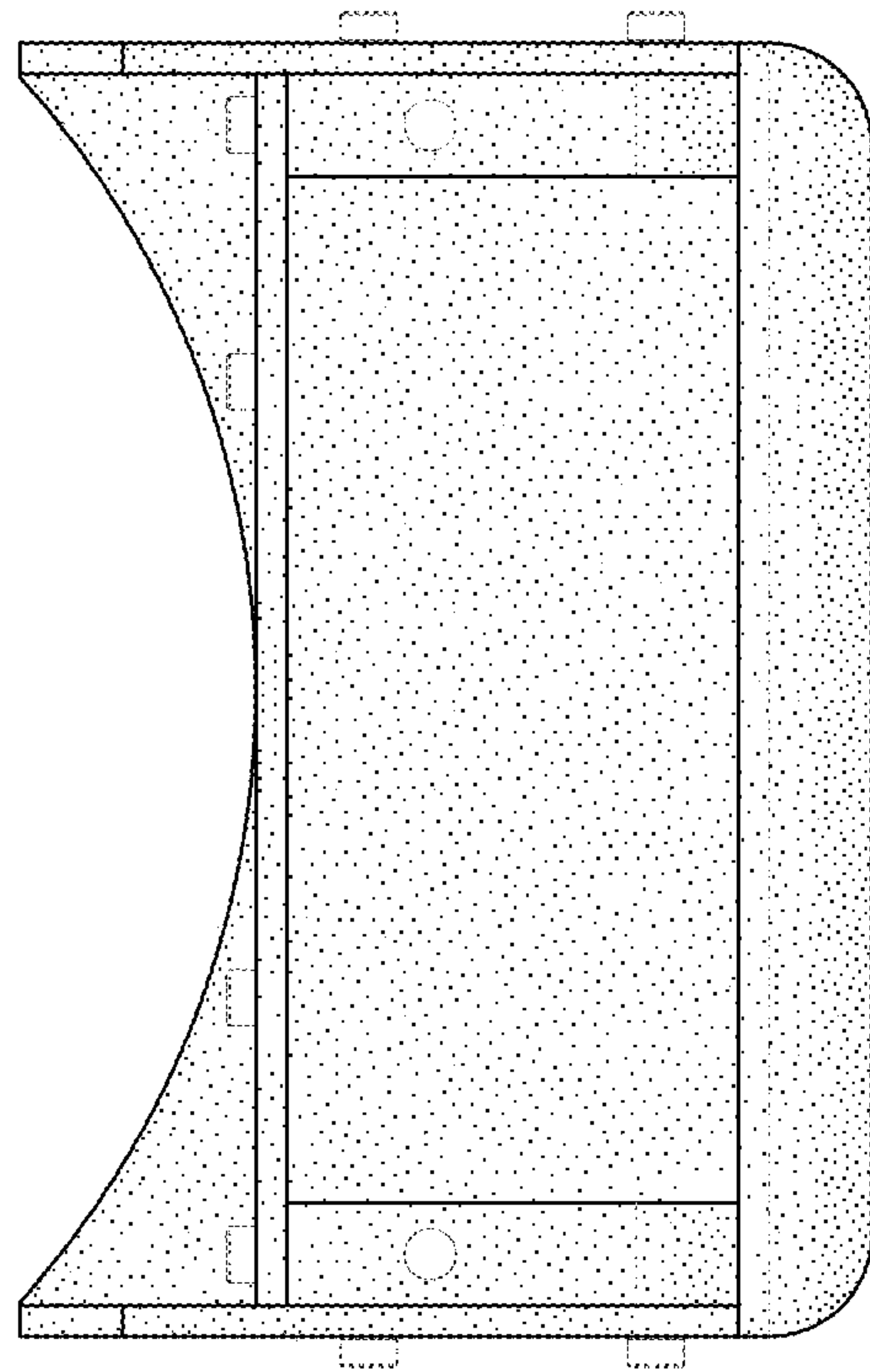


FIG. 8

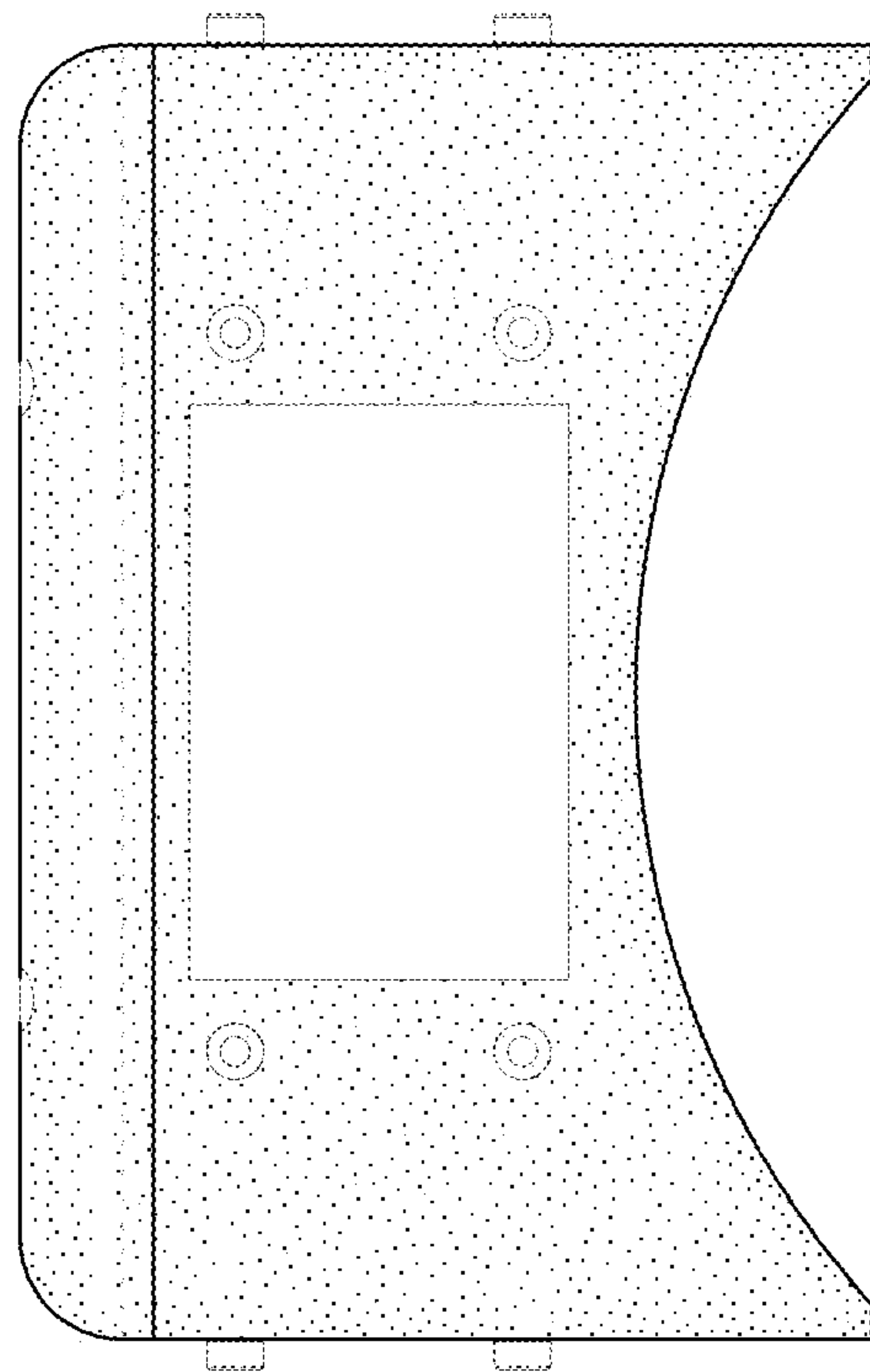


FIG. 9