



US00D904210S

(12) **United States Design Patent**  
**Chen**

(10) **Patent No.:** **US D904,210 S**

(45) **Date of Patent:** **\*\* Dec. 8, 2020**

(54) **CONTOUR GAUGE**

(71) Applicant: **Hexian Chen**, Zhejiang (CN)

(72) Inventor: **Hexian Chen**, Zhejiang (CN)

(\*\*) Term: **15 Years**

(21) Appl. No.: **29/740,131**

(22) Filed: **Jul. 1, 2020**

(51) **LOC (12) Cl.** ..... **10-04**

(52) **U.S. Cl.**  
USPC ..... **D10/65**

(58) **Field of Classification Search**  
USPC ..... D8/99, 100, 105; D10/65  
CPC ..... B28D 1/22; B28D 1/223; B28D 1/225;  
B28D 1/228; E04F 21/0076; E04F 21/18;  
E04F 21/20; Y10S 33/20  
See application file for complete search history.

(56) **References Cited**

**U.S. PATENT DOCUMENTS**

1,261,438	A *	4/1918	Reinhardt	.....	G01B 5/20 33/561.1
2,949,674	A *	8/1960	Wexler	.....	G01B 5/20 33/561.1
D671,018	S	11/2012	Maste		
9,308,671	B2 *	4/2016	Baro Cabrero	.....	B28D 1/225
9,404,726	B2 *	8/2016	Shu	.....	G01B 5/207
9,808,962	B2 *	11/2017	Moog	.....	B28D 1/225

10,525,612	B2 *	1/2020	Soler Balcells	.....	B43L 7/027
D884,501	S *	5/2020	Lei	.....	G01B 5/20 D10/65

D885,212	S	5/2020	Fu		
2012/0266472	A1 *	10/2012	Liza	.....	E04F 2/0076 33/527

\* cited by examiner

*Primary Examiner* — Antoine Duval Davis  
(74) *Attorney, Agent, or Firm* — ScienBiziP, P.C.

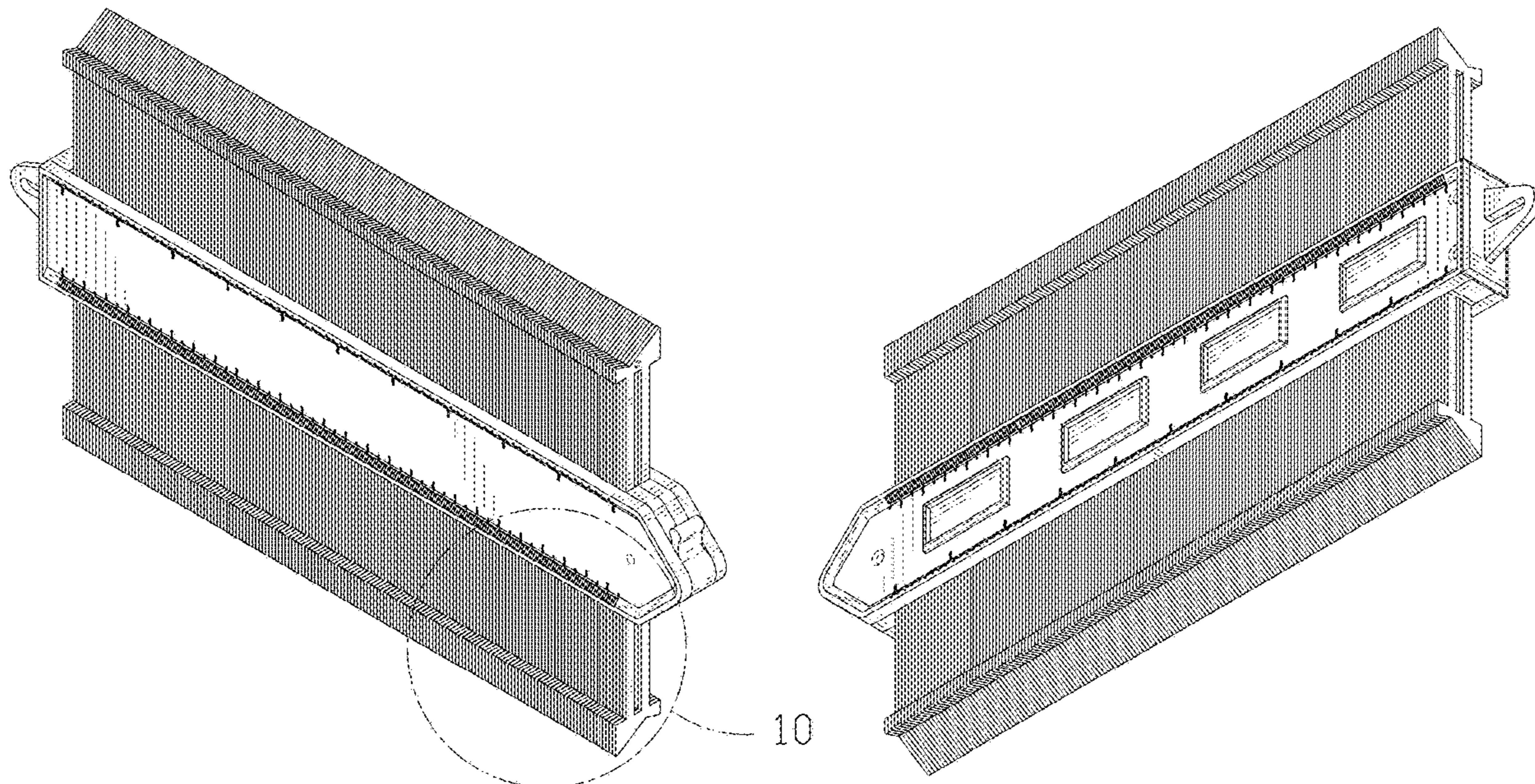
(57) **CLAIM**

The ornamental design for a contour gauge, as shown and described.

**DESCRIPTION**

FIG. 1 is a front and top perspective view of a contour gauge, showing my design;  
FIG. 2 is a rear and bottom perspective view thereof;  
FIG. 3 is a front elevation view thereof;  
FIG. 4 is a rear elevation view thereof;  
FIG. 5 is a left side elevation view thereof;  
FIG. 6 is a right side elevation view thereof;  
FIG. 7 is a top plan view thereof;  
FIG. 8 is a bottom plan view thereof;  
FIG. 9 is a perspective view of the contour gauge separated from a hook ring; and,  
FIG. 10 is an enlarged view of an area labeled 10 in FIG. 1. The broken lines are for environmental structure, boundaries, or illustrative purposes only and form no part of the claimed designs to be patented.

**1 Claim, 10 Drawing Sheets**



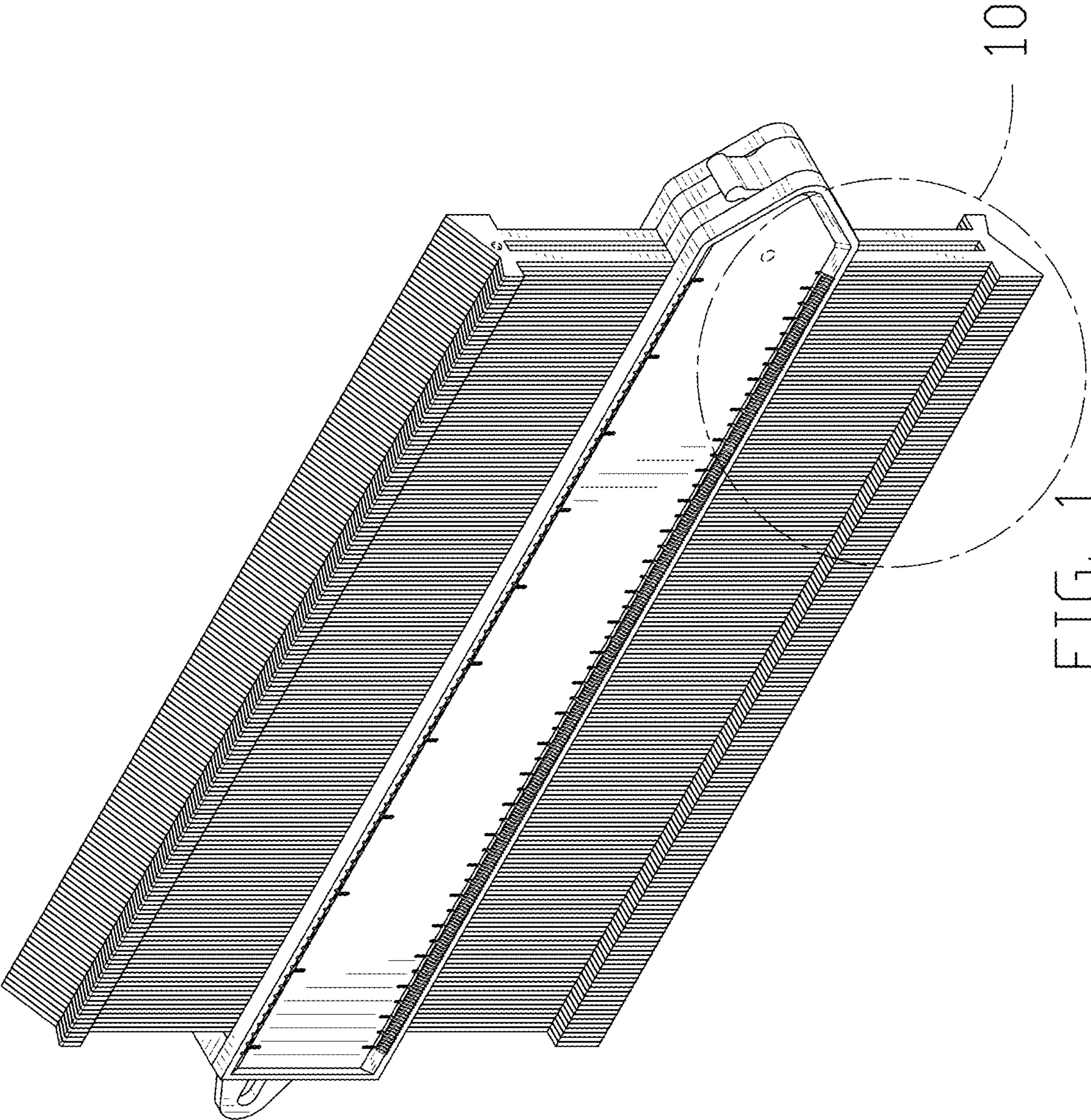


FIG. 1

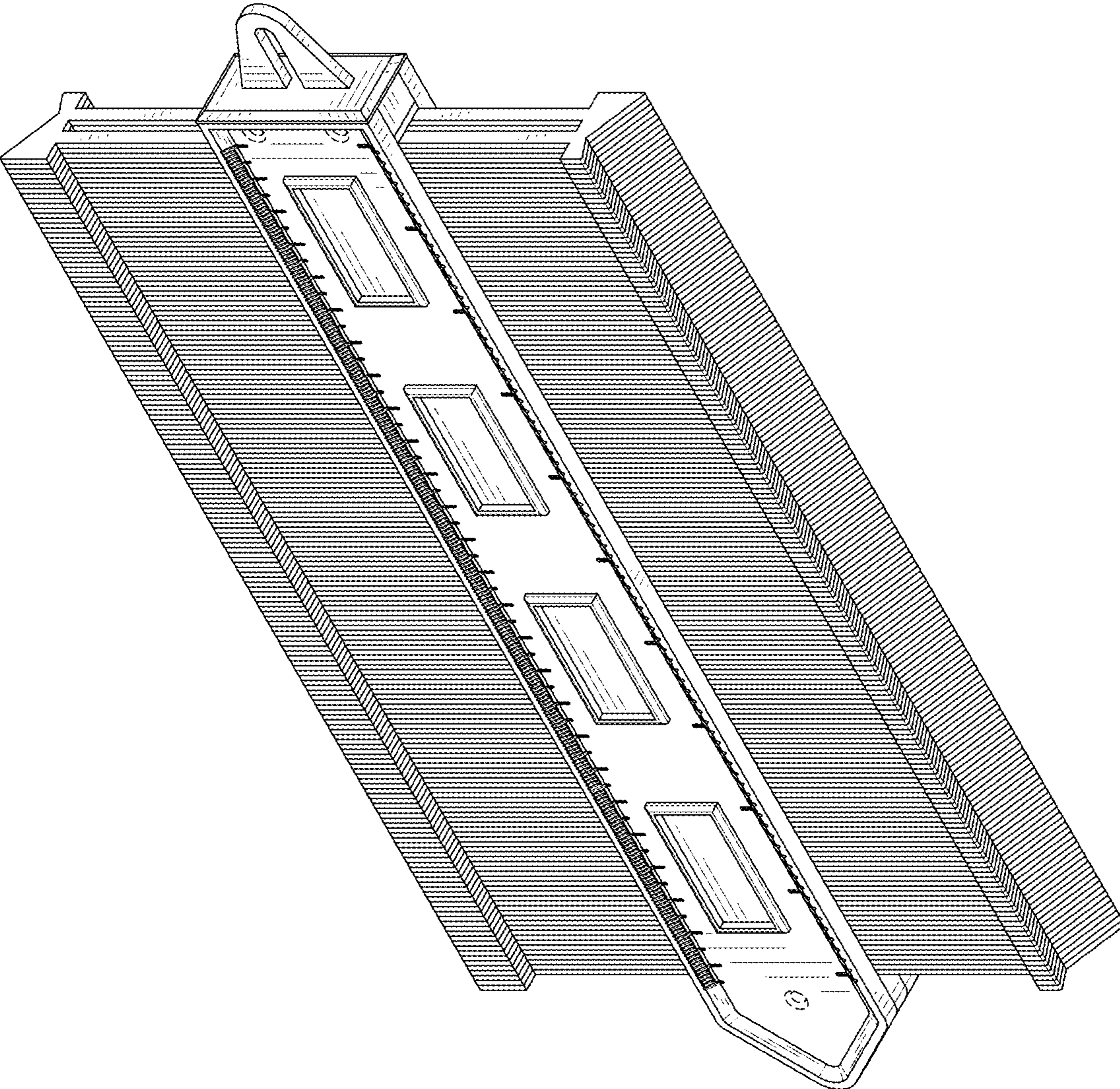


FIG. 2

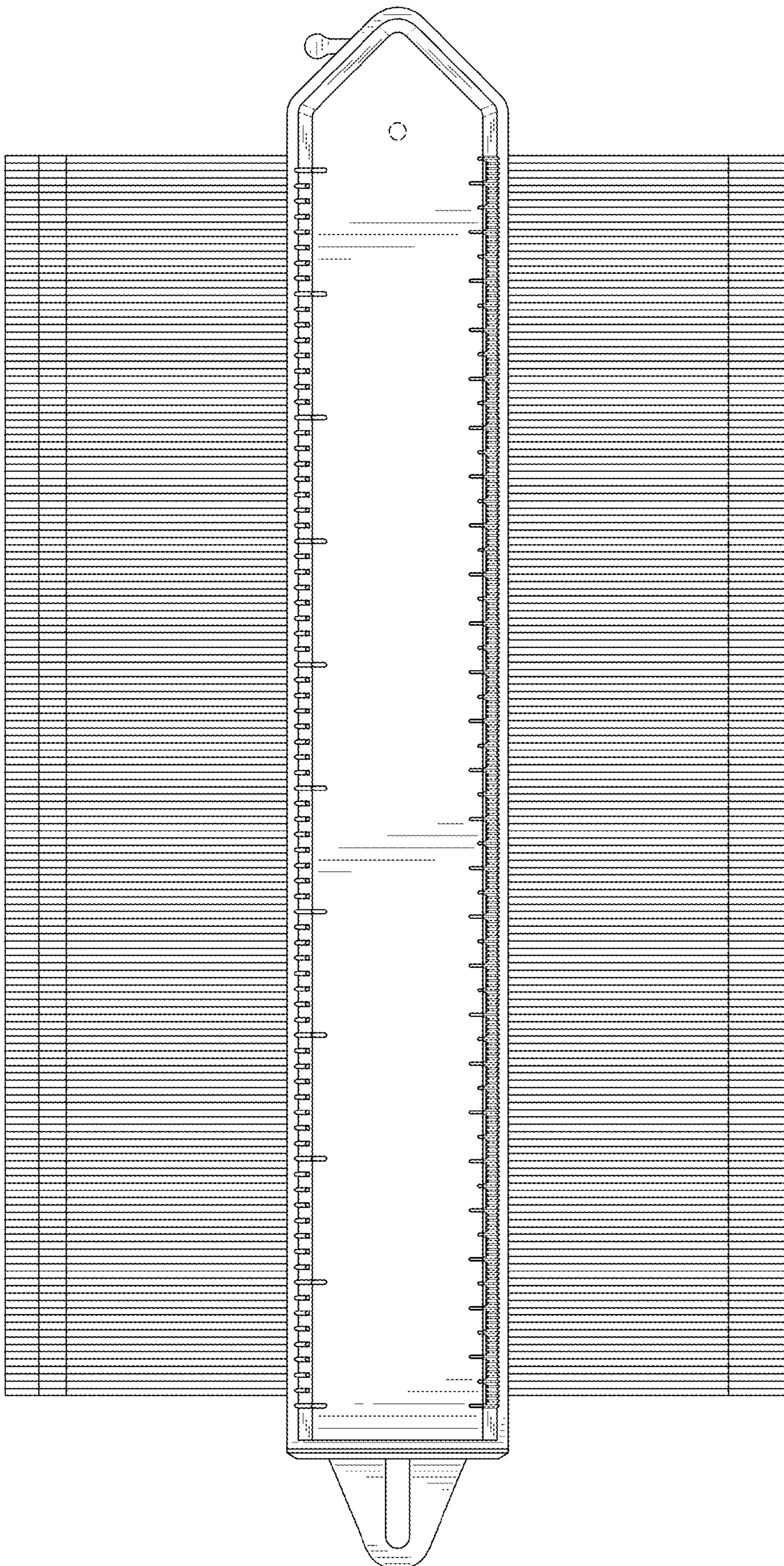


FIG. 3

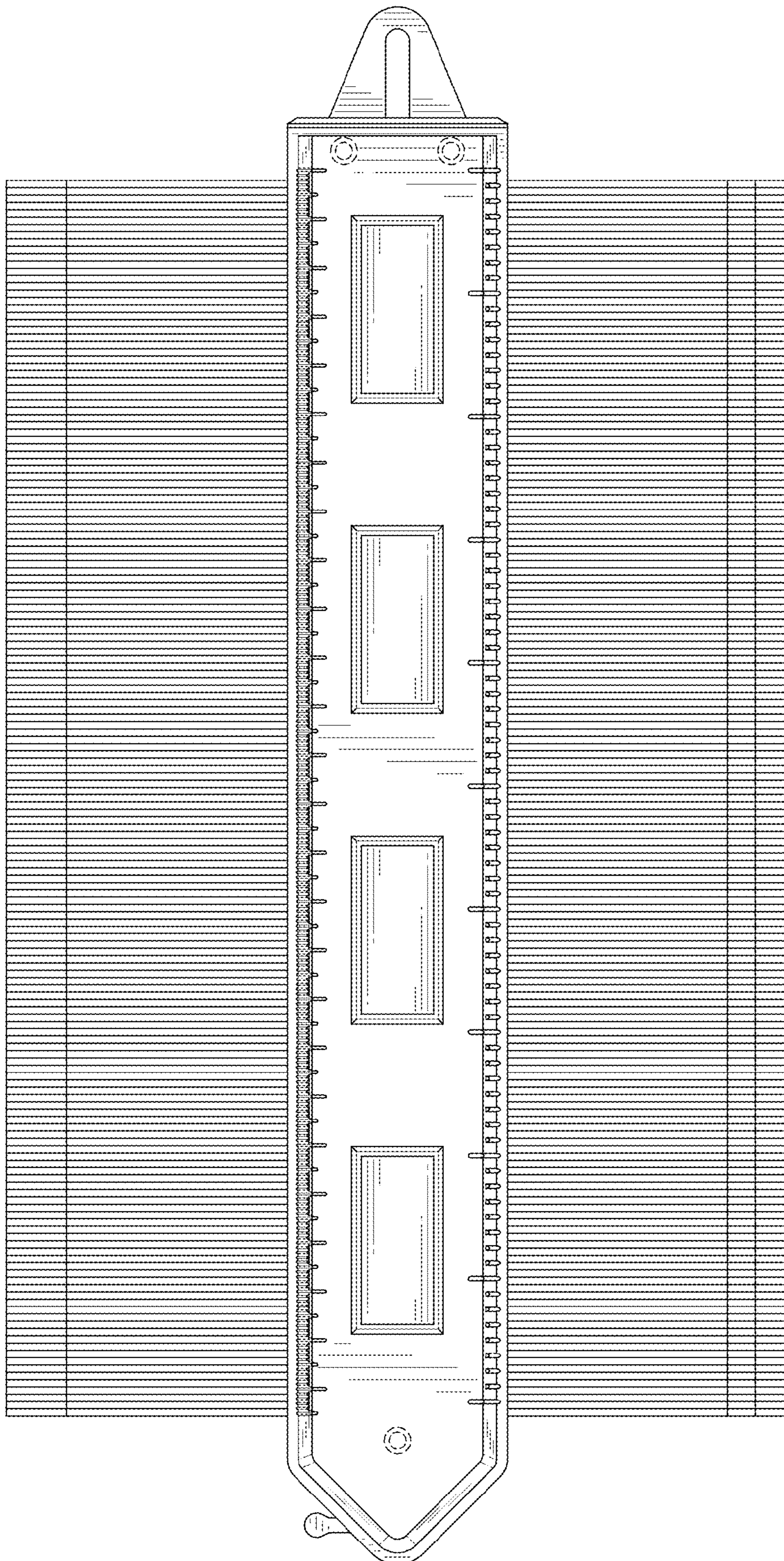


FIG. 4

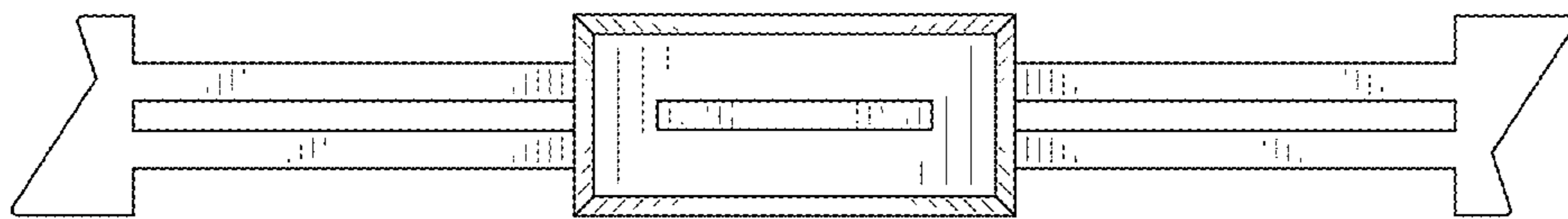


FIG. 5

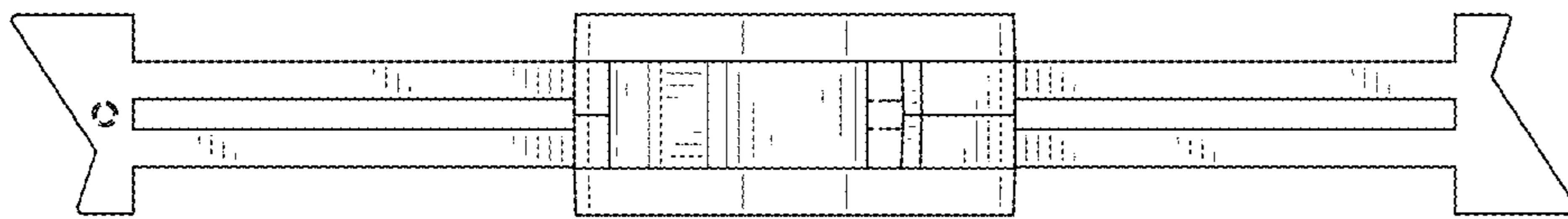


FIG. 6

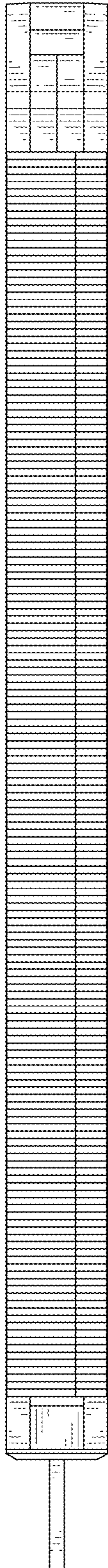


FIG. 7



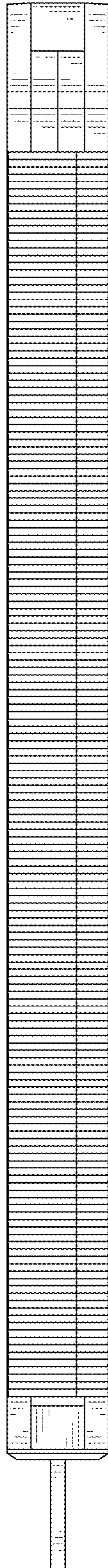


FIG. 8

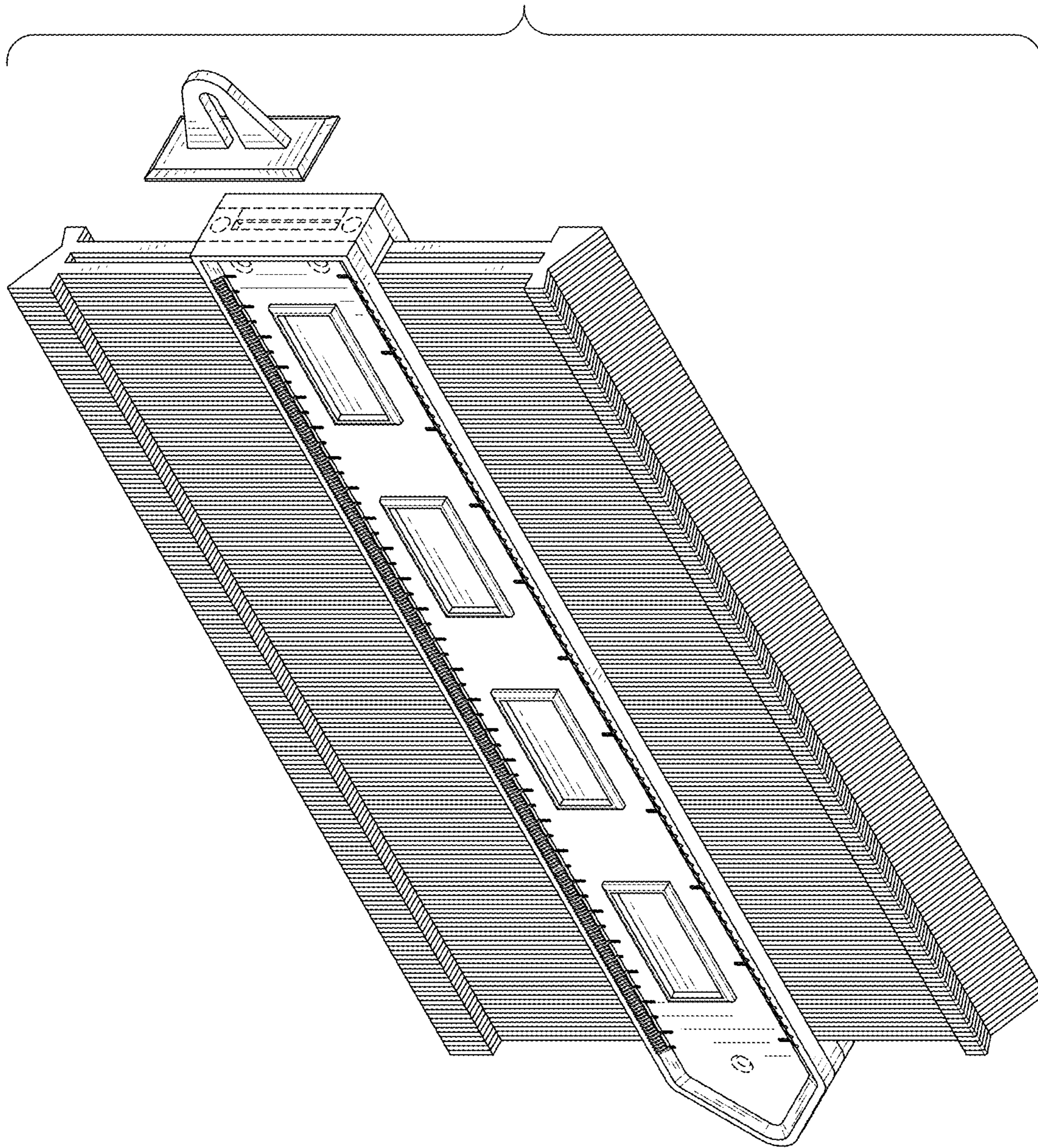


FIG. 9

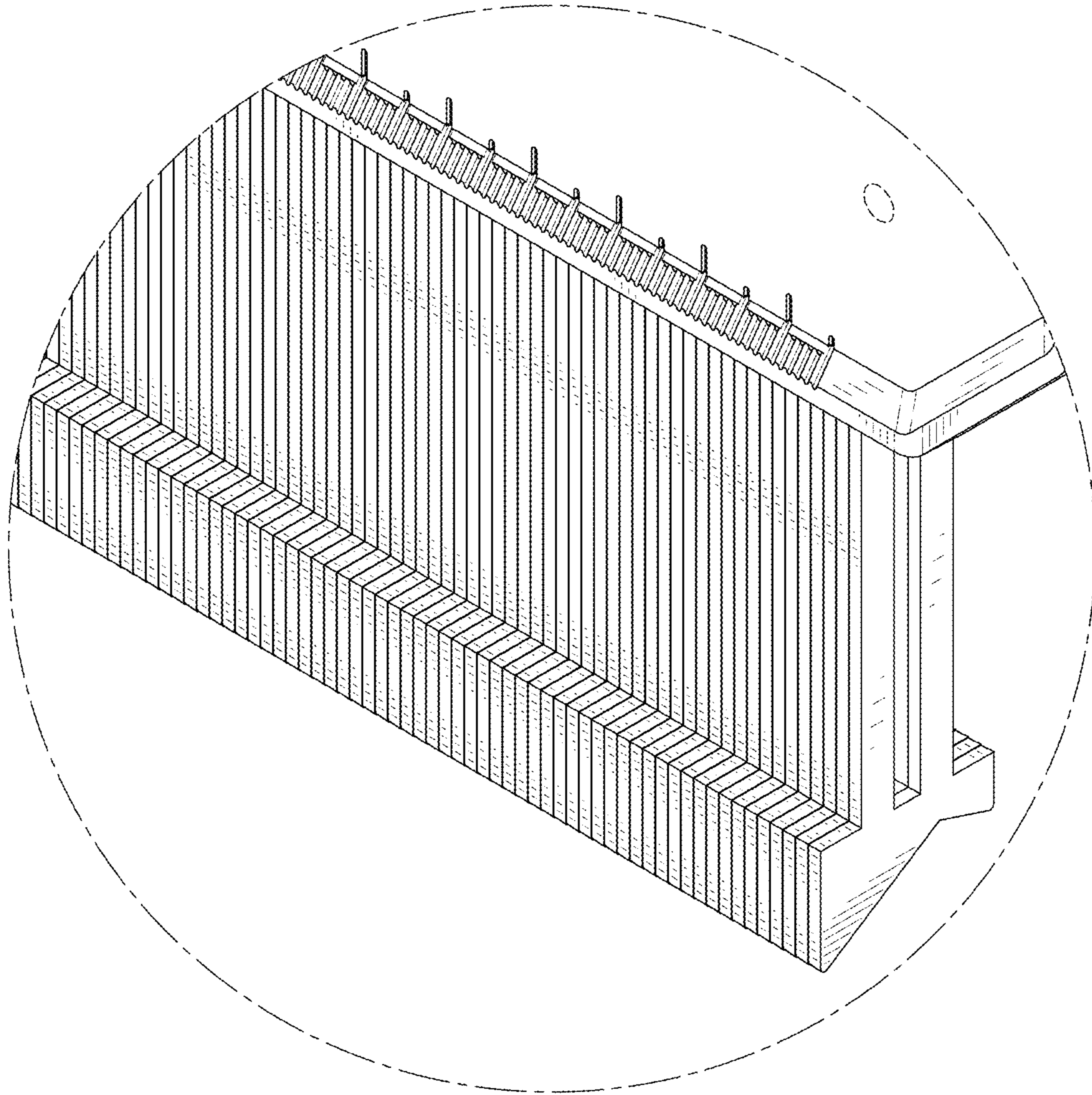


FIG. 10