



US00D904209S

(12) **United States Design Patent**
Burns

(10) **Patent No.:** **US D904,209 S**

(45) **Date of Patent:** **** Dec. 8, 2020**

(54) **ALIGNMENT TOOL FOR ELECTRICAL DEVICES**

(71) Applicant: **John Martin Burns**, Harbor City, CA (US)

(72) Inventor: **John Martin Burns**, Harbor City, CA (US)

(**) Term: **15 Years**

(21) Appl. No.: **29/690,214**

(22) Filed: **May 7, 2019**

(51) **LOC (12) Cl.** **10-04**

(52) **U.S. Cl.**
USPC **D10/65; D8/14**

(58) **Field of Classification Search**
USPC D8/14, 45, 71; D10/64, 65, 69
CPC H02G 3/00; H02G 2200/30; G01C 9/26;
G01C 9/28; Y10S 33/01
See application file for complete search history.

(56) **References Cited**

U.S. PATENT DOCUMENTS

- 2,733,513 A * 2/1956 Gatineau H02G 3/12
33/528
- 2,990,172 A * 6/1961 Gianotta H02G 3/125
269/50
- 3,279,080 A * 10/1966 Stepshinski H01R 25/006
33/354
- D250,255 S * 11/1978 Douglas D10/64
- 4,259,785 A * 4/1981 Wortham H02G 3/12
33/528
- 4,793,069 A * 12/1988 McDowell G01B 3/00
33/528

- 4,888,880 A * 12/1989 Parker G01C 9/28
33/645
- 5,348,274 A * 9/1994 Breen H02G 1/00
269/3
- 6,209,214 B1 * 4/2001 Talavera G01C 9/28
33/528
- D483,682 S * 12/2003 Cahill D10/78
- 7,032,297 B2 * 4/2006 Cahill H01R 43/22
29/739
- 7,392,594 B2 * 7/2008 Kesler G01C 9/26
33/528
- 8,099,878 B2 * 1/2012 Guzallis H02G 1/00
33/528
- 8,250,773 B1 * 8/2012 Shotey H02G 3/00
33/528
- D736,105 S * 8/2015 Hoyt D10/64
- D754,498 S * 4/2016 Robinson D8/14

* cited by examiner

Primary Examiner — Philip S Hyder

(74) *Attorney, Agent, or Firm* — Barry Choobin; Patent 360

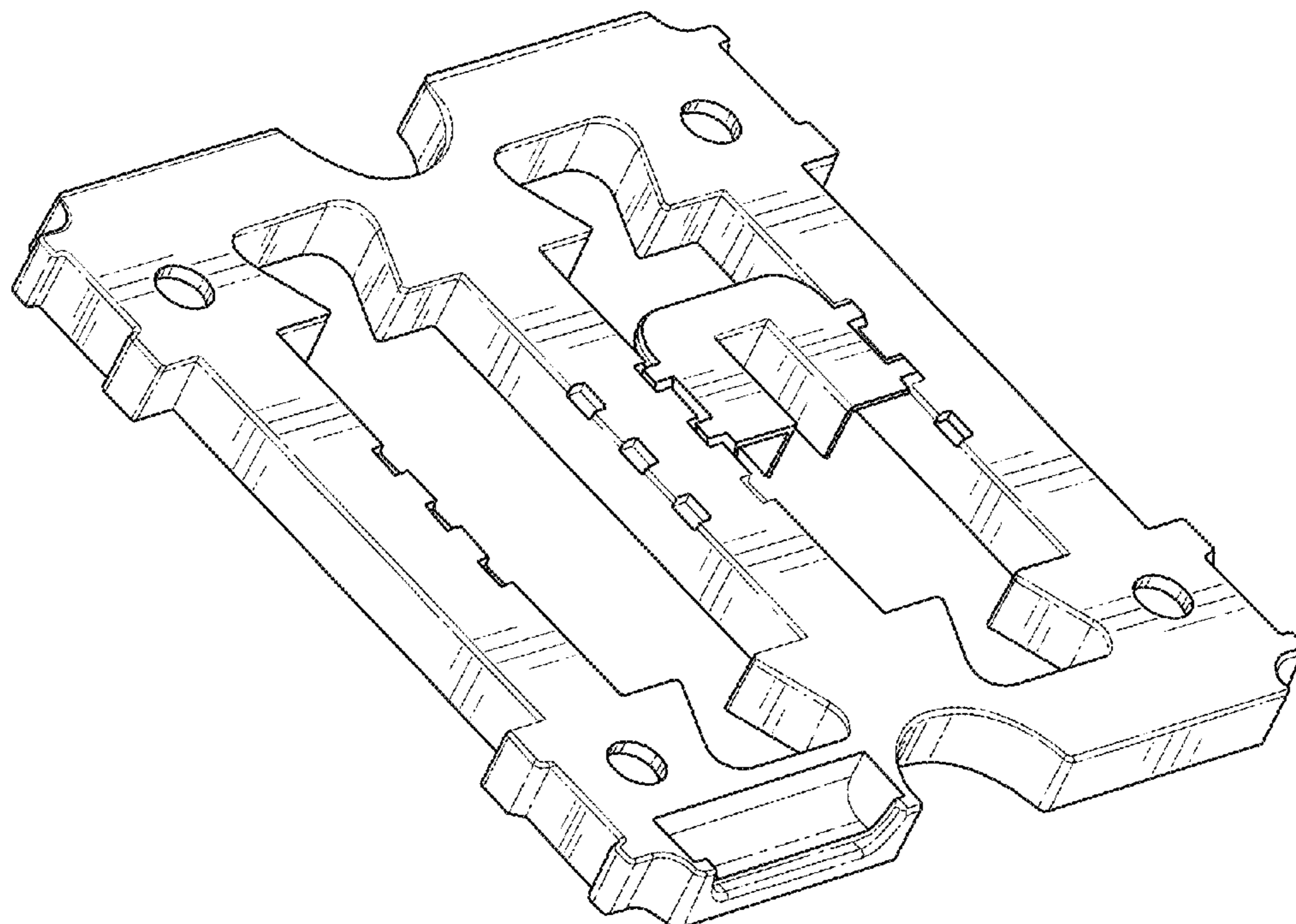
(57) **CLAIM**

The ornamental design for an alignment tool for electrical devices, as shown and described herein.

DESCRIPTION

FIG. 1 is a perspective view of an alignment tool for electrical devices showing my new design; FIG. 2 is a front elevation view thereof; FIG. 3 is a rear elevation view thereof; FIG. 4 is a left side elevation view thereof; FIG. 5 is a right side elevation view thereof; and, FIG. 6 is a top plan view thereof.

1 Claim, 4 Drawing Sheets



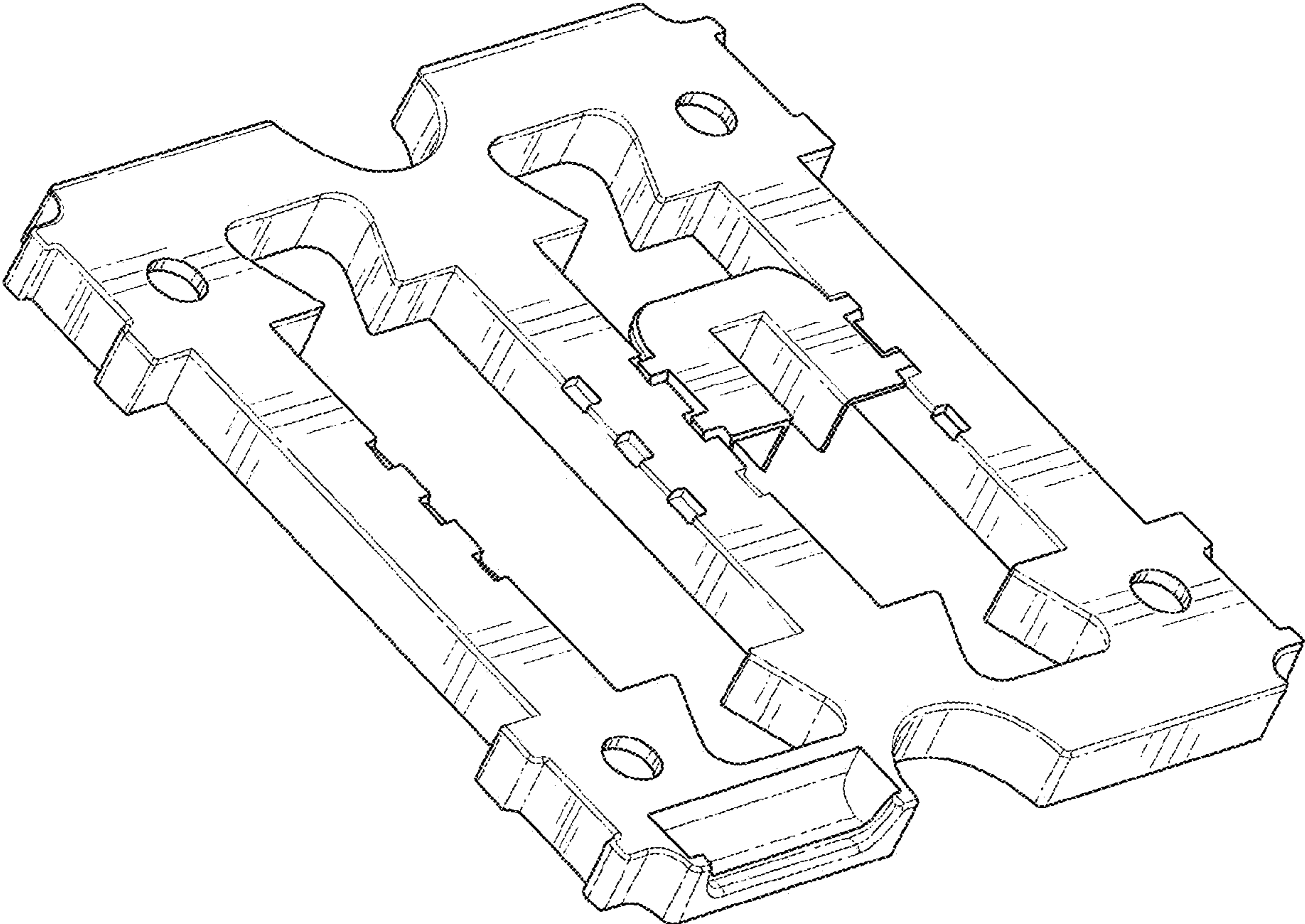


FIG. 1



FIG. 2



FIG. 3



FIG. 4

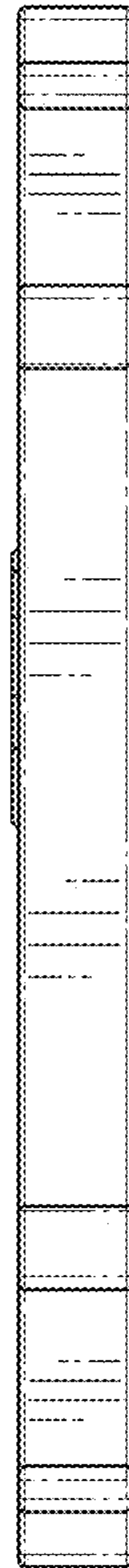


FIG. 5

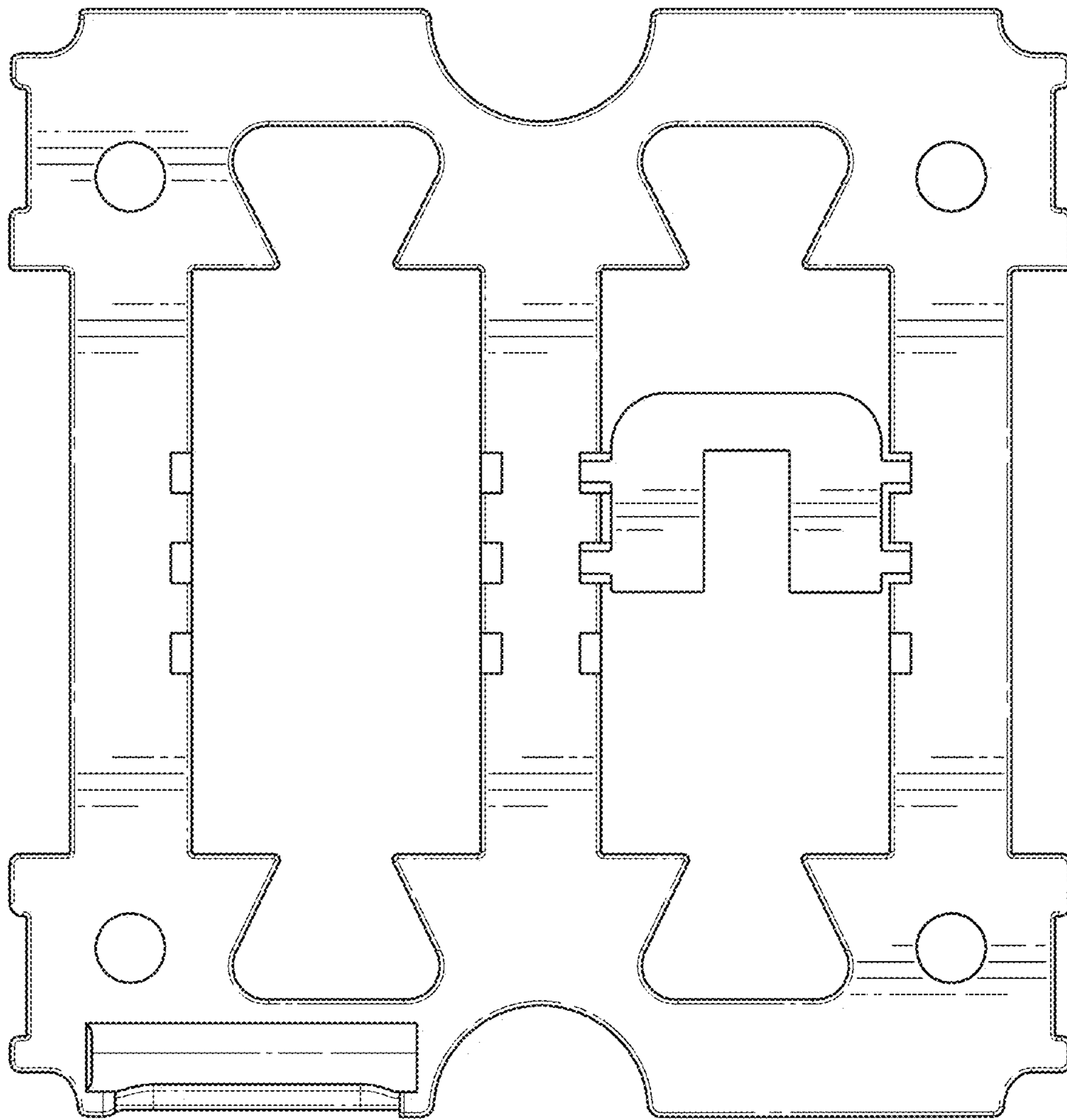


FIG. 6