



US00D904207S

(12) **United States Design Patent**
Kamilindi

(10) **Patent No.:** **US D904,207 S**

(45) **Date of Patent:** **** Dec. 8, 2020**

(54) **WATCH**

(71) Applicant: **Harry Winston SA**, Plan-les-Ouates (CH)

(72) Inventor: **Steve Kamilindi**, Puplinge (CH)

(73) Assignee: **Harry Winston SA**, Plan-les-Ouates (CH)

(**) Term: **15 Years**

(21) Appl. No.: **29/651,525**

(22) Filed: **Aug. 20, 2018**

(30) **Foreign Application Priority Data**

Feb. 20, 2018 (WO) DM/100453

(51) **LOC (12) Cl.** **10-02**

(52) **U.S. Cl.**
USPC **D10/38**

(58) **Field of Classification Search**

USPC D10/1-2, 30-39, 40-41, 122-129, 132

CPC G04B 19/00; G04B 19/02; G04B 19/025;

G04B 19/04; G04B 19/042; G04B

19/044; G04B 19/046; G04B 19/23;

G04B 19/18; G04B 19/06; G04B 19/065;

G04B 19/08; G04B 19/082; G04B

19/085; G04B 19/087; G04B 19/10;

G04B 19/103; G04B 19/106; G04B

19/12; G04B 19/166; G04B 19/20; G04B

19/22; G04B 19/262; G04B 19/264;

G04B 37/00; G04B 37/008; G04B 45/00;

G04B 45/0069; G04B 45/0076; G04B

47/00; G04B 47/048; G04B 5/04; G04B

5/06; G04B 5/08; G04B 5/10; G04B

5/12; G04B 5/14; G04B 5/16; G04B

5/18; G04B 19/223; G04B 19/283; G09B

19/12; G07C 1/28; G04F 7/0861

See application file for complete search history.

(56) **References Cited**

U.S. PATENT DOCUMENTS

D385,805 S *	11/1997	Giardiello	D10/30
D474,118 S *	5/2003	Monachon	D10/32
D508,860 S *	8/2005	Plan	D10/39
D653,128 S *	1/2012	Vaptzarof	D10/39
D659,027 S *	5/2012	Yurman	D10/32
D726,556 S *	4/2015	Lasserre	D10/39
D726,557 S *	4/2015	Lasserre	D10/39
D733,584 S *	7/2015	Kamilindi	D10/39
D734,177 S *	7/2015	Kamilindi	D10/126
D785,468 S *	5/2017	White	D10/30
D793,871 S *	8/2017	Lasserre	D10/30
D793,872 S *	8/2017	Lasserre	D10/30
D793,877 S *	8/2017	Lasserre	D10/38

(Continued)

OTHER PUBLICATIONS

Harry Winston Histoire de Tourbillon 9 | posted at Watchonista.com Mar. 2018 [online]. © 2020 The Watches Network SA [retrieved Jan. 5, 2020] from Internet: <<https://www.watchonista.com/harry-winston/news/harry-winston-histoire-de-tourbillon-9-0>> (Year: 2018).*

Primary Examiner — Sandra Snapp

Assistant Examiner — Katherine Glennon

(74) *Attorney, Agent, or Firm* — Blank Rome LLP

(57) **CLAIM**

The ornamental design for a watch, as shown and described.

DESCRIPTION

FIG. 1 is a front view of a watch of the present design;

FIG. 2 is a rear view thereof;

FIG. 3 is a right side view thereof;

FIG. 4 is a left side view thereof;

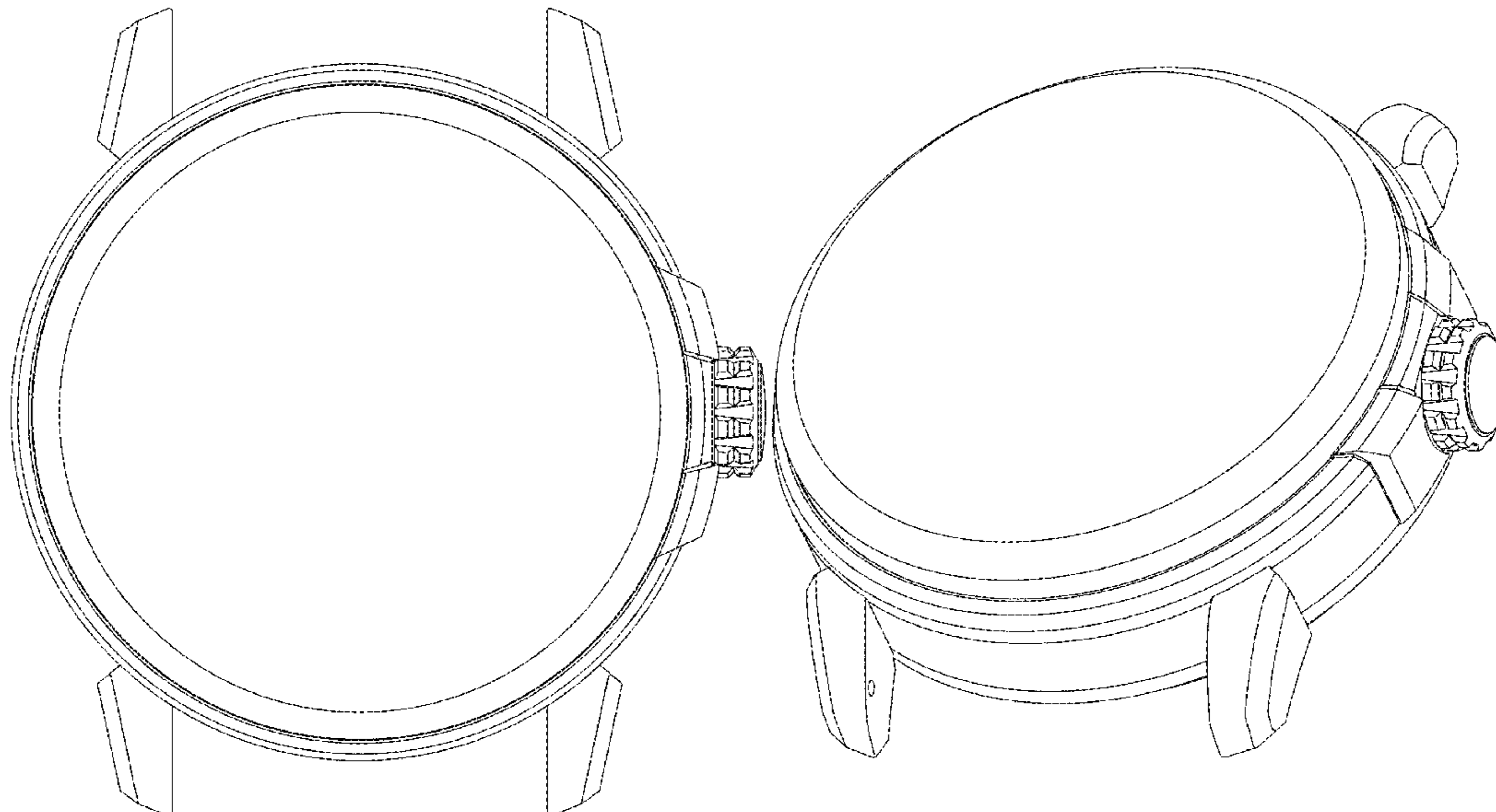
FIG. 5 is a top view thereof;

FIG. 6 is a bottom view thereof; and

FIG. 7 is a front perspective view thereof; and,

FIG. 8 is a rear perspective view thereof.

1 Claim, 8 Drawing Sheets



(56)

References Cited

U.S. PATENT DOCUMENTS

D795,706 S	*	8/2017	Lasserre	D10/30
D800,580 S	*	10/2017	Lasserre	D10/30
D850,292 S	*	6/2019	Dicks	D10/30
D862,252 S	*	10/2019	Lasserre	D10/30
D868,598 S	*	12/2019	Gurtner	D10/39

* cited by examiner

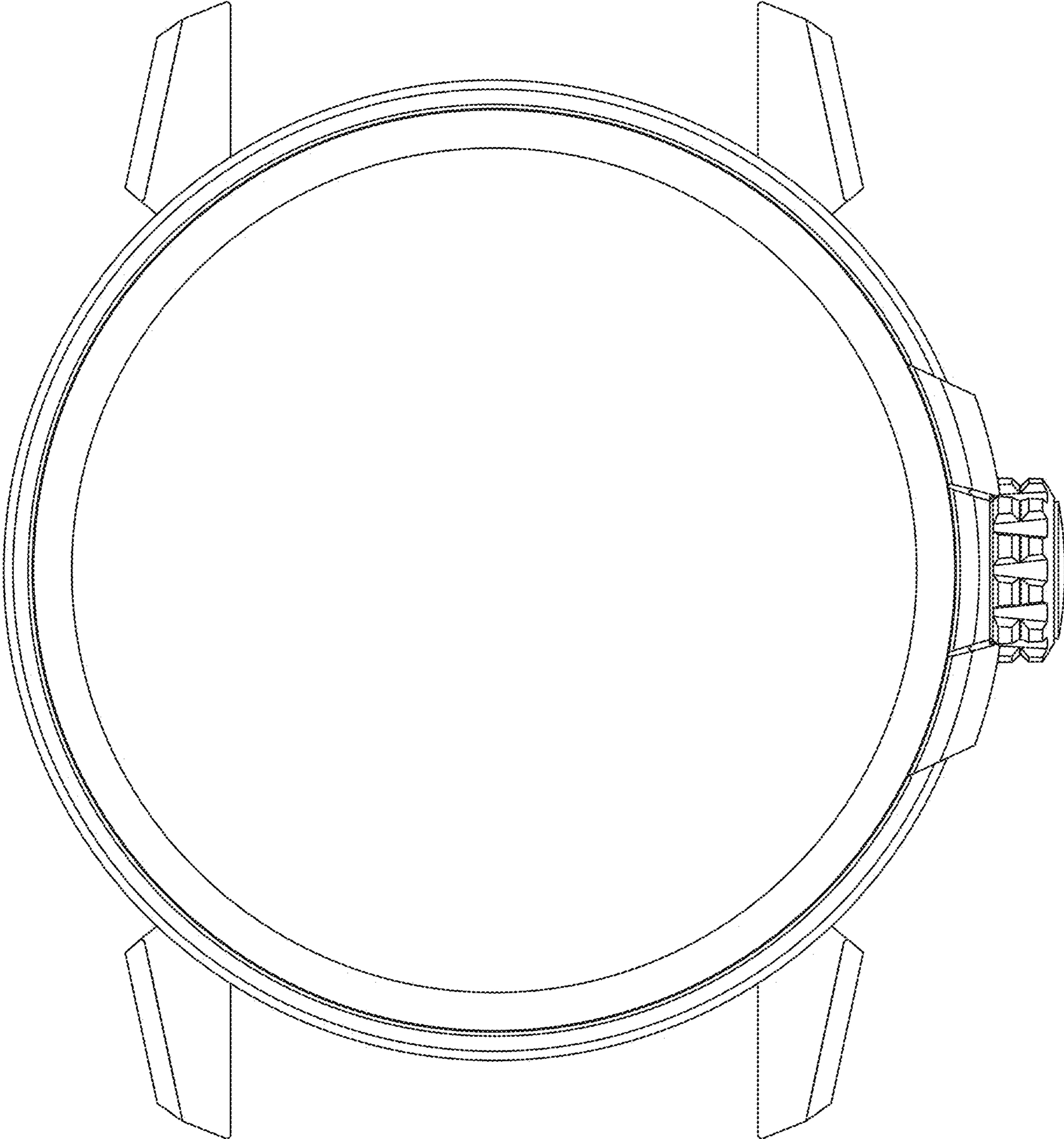


FIG. 1

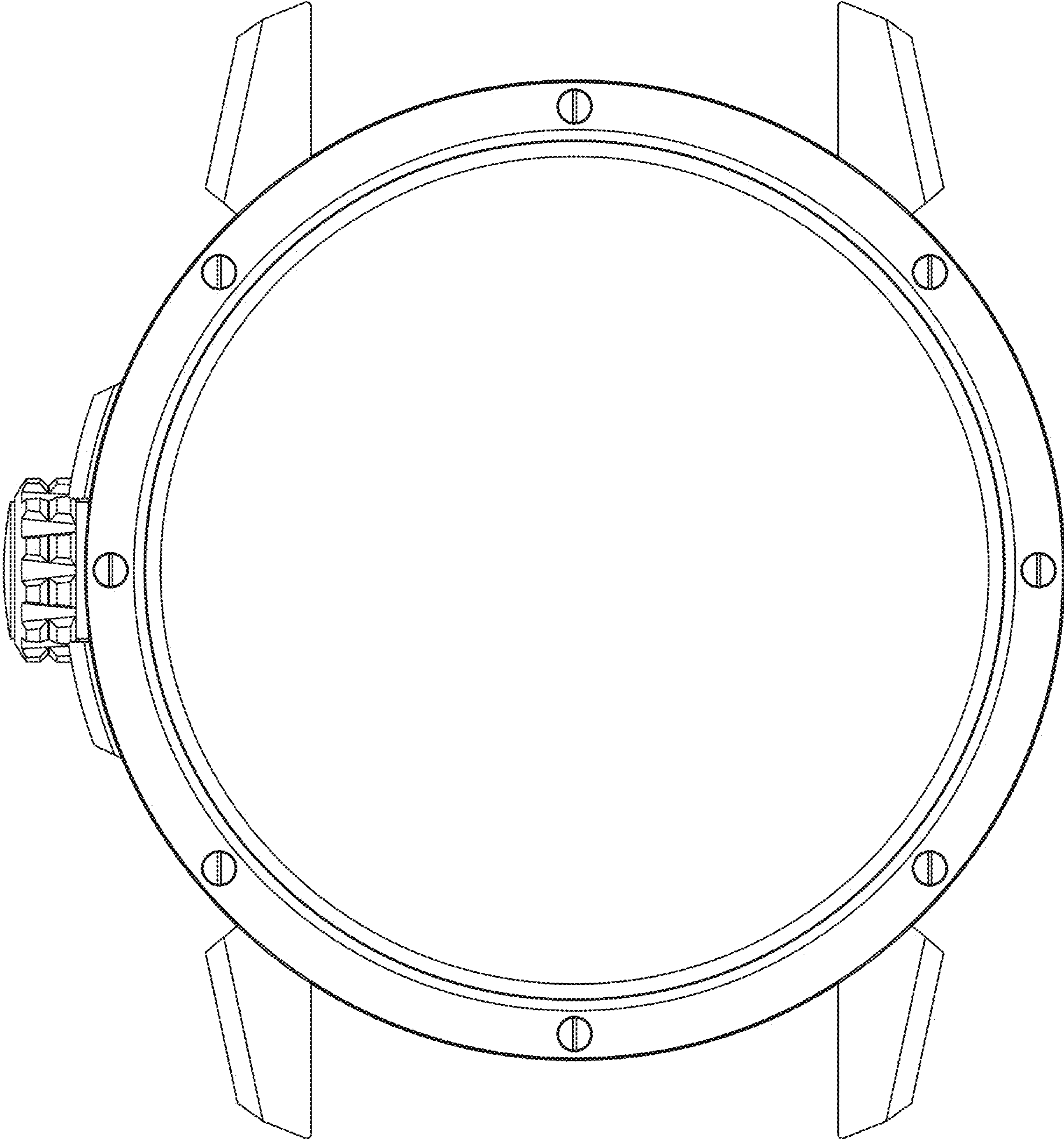


FIG. 2

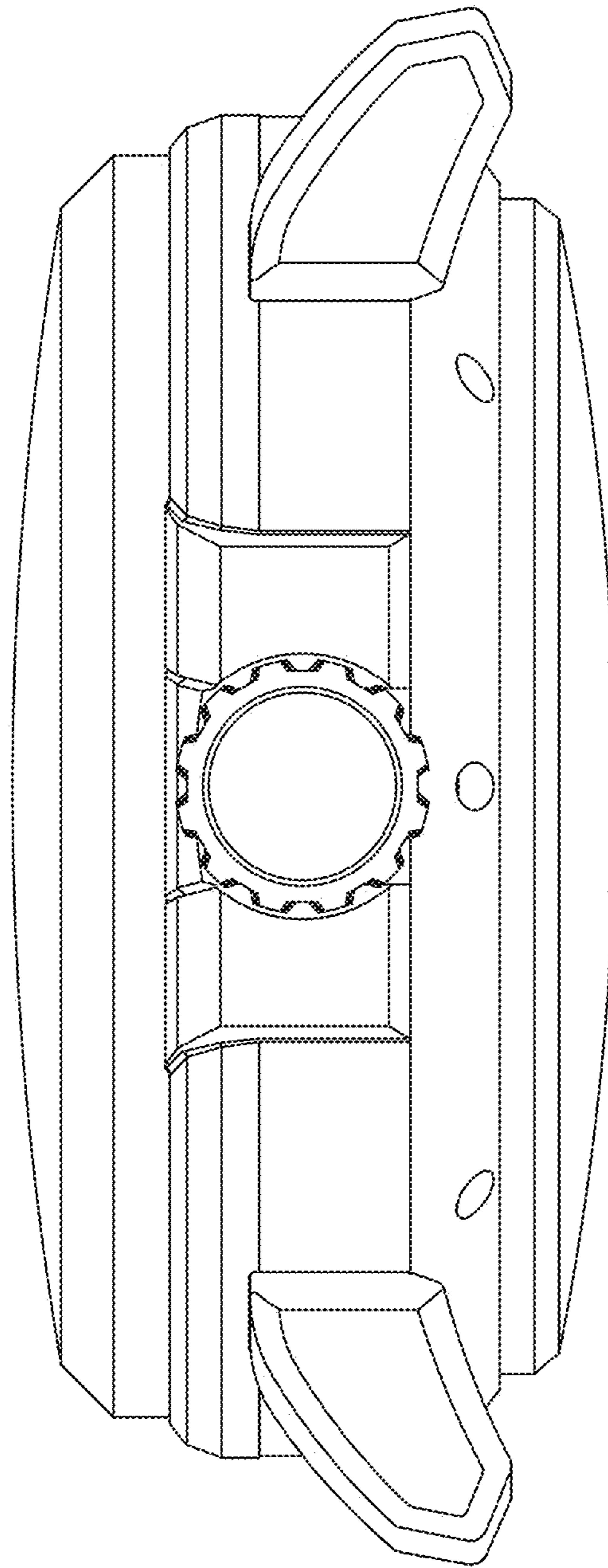


FIG. 3

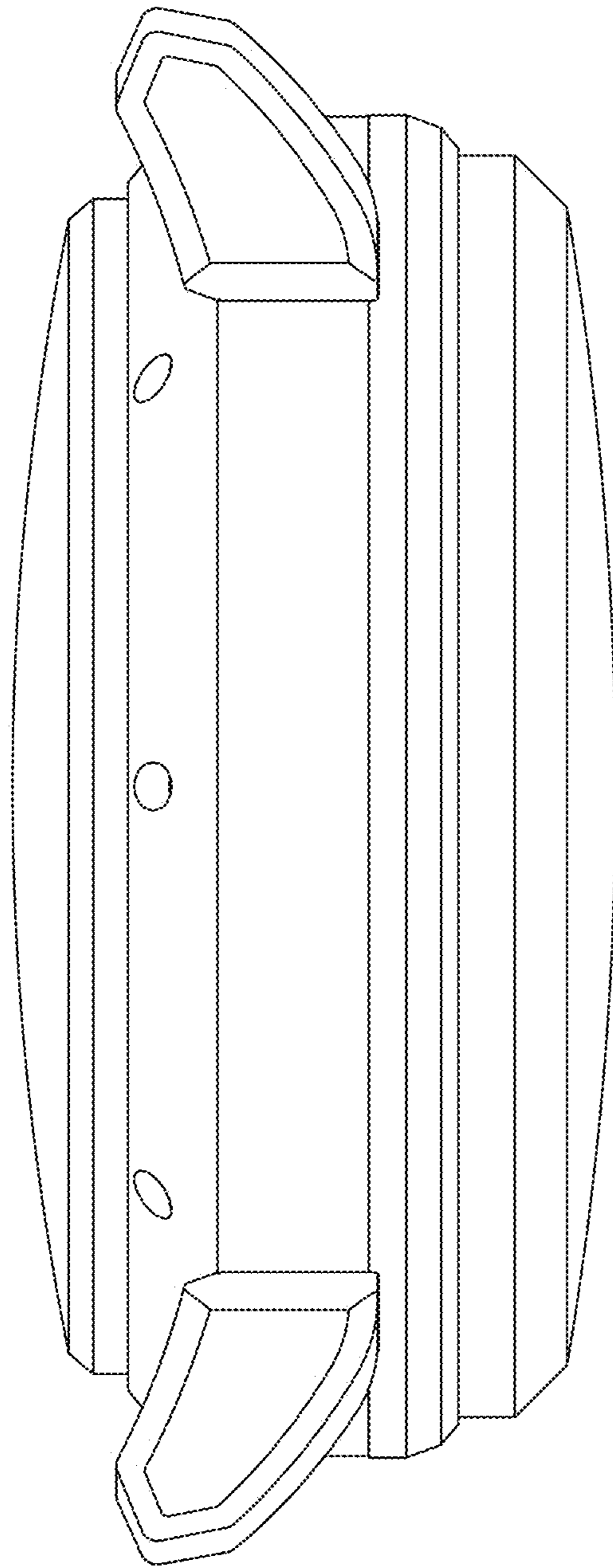


FIG. 4

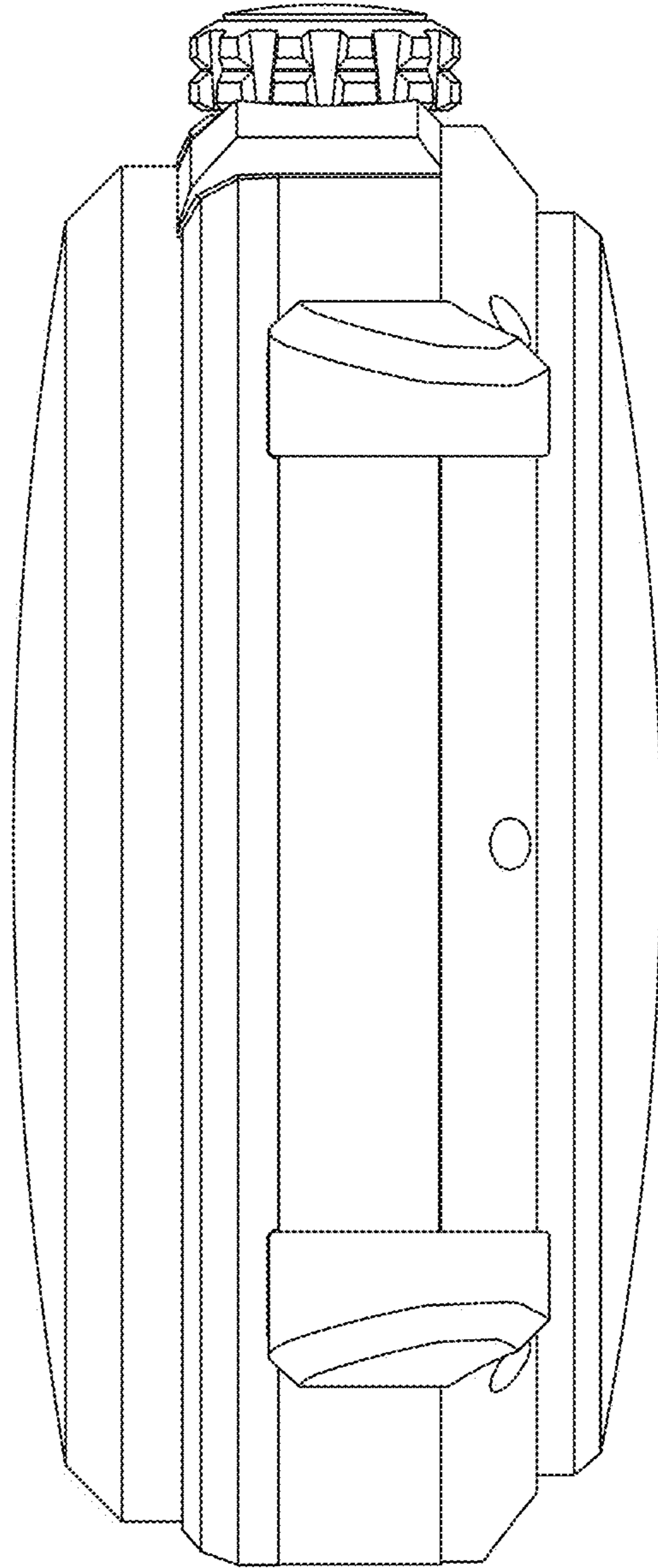


FIG. 5

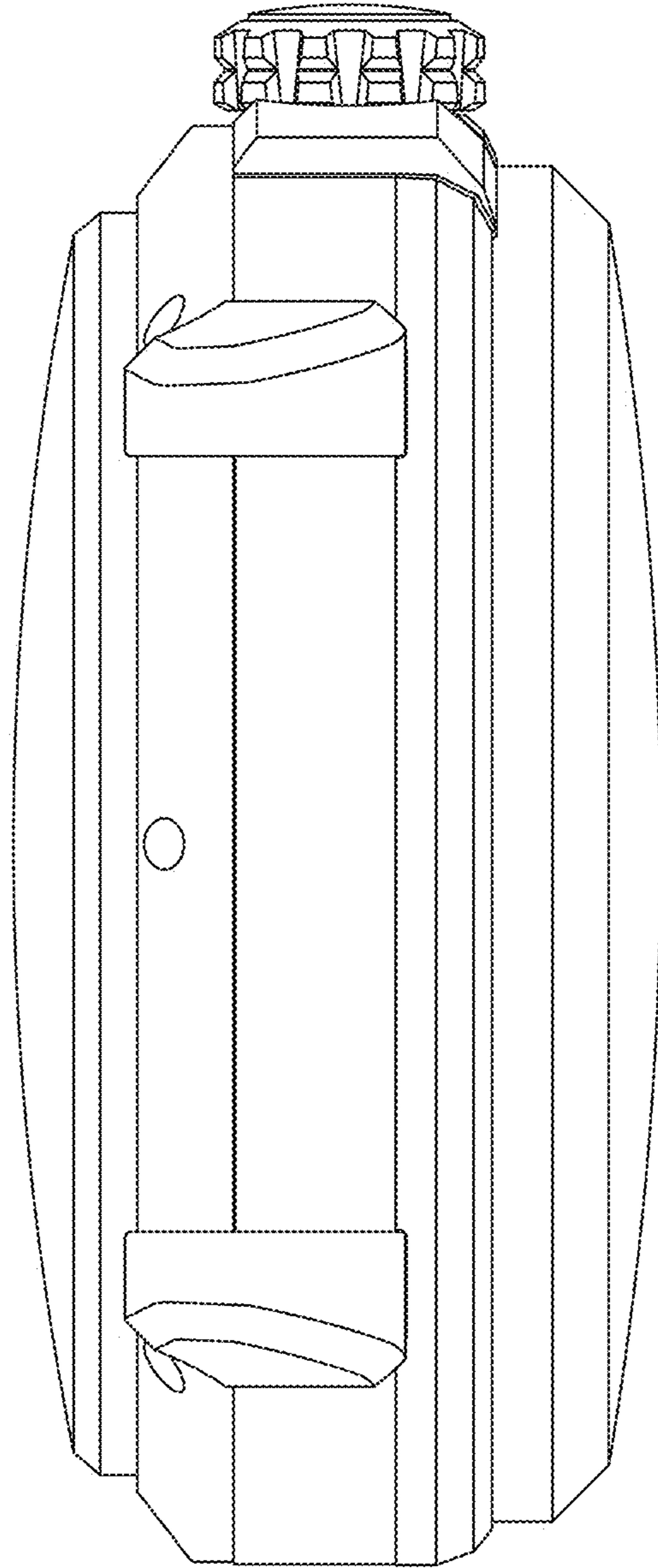


FIG. 6

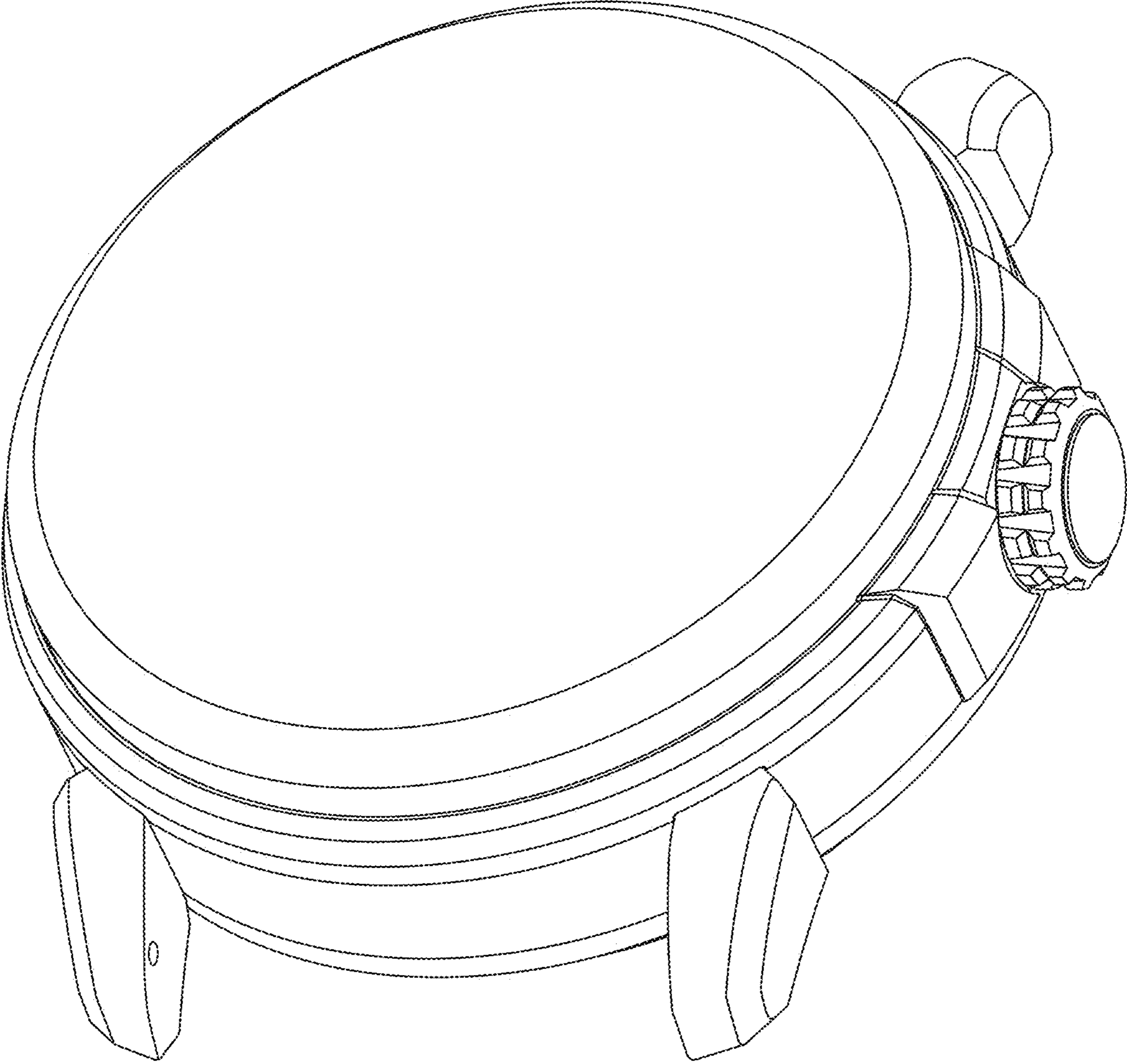


FIG. 7

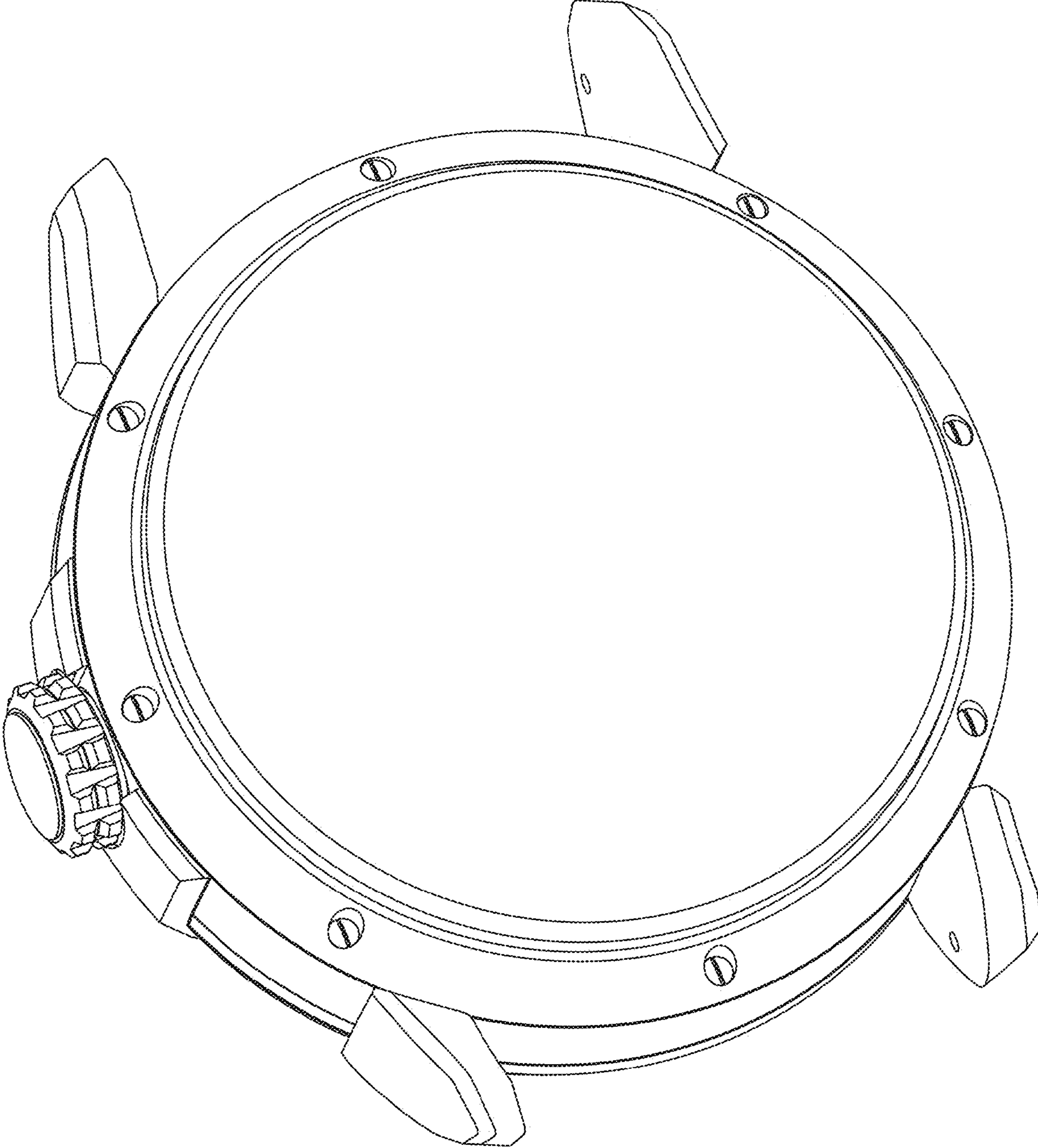


FIG. 8