



US00D904205S

(12) **United States Design Patent**
Ng

(10) **Patent No.:** **US D904,205 S**

(45) **Date of Patent:** **** Dec. 8, 2020**

(54) **HINGED FOOD CONTAINER WITH COMPARTMENTS**

(71) Applicant: **Tsing Kou Ng**, Castro Valley, CA (US)

(72) Inventor: **Tsing Kou Ng**, Castro Valley, CA (US)

(**) Term: **15 Years**

(21) Appl. No.: **29/687,142**

(22) Filed: **Apr. 10, 2019**

(51) **LOC (12) Cl.** **09-03**

(52) **U.S. Cl.**

USPC **D9/761**; D9/425; D7/703

(58) **Field of Classification Search**

USPC D9/737, 756, 759, 761, 503, 504, 414, D9/424-426, 430, 432; D7/538, 541, D7/542, 553.1-553.3, 553.7, 555, 557, D7/701, 703, 708, 602, 629; D3/203.3, D3/273, 283, 294, 295, 310, 313; D24/226, 227, 229; 229/120.02, 120.07, 229/406, 407, 904, 906; 220/500, 507, 220/508, 553, 555, 556; 206/521.1, 206/521.15, 561, 443

CPC B65D 1/24; B65D 43/162; B65D 77/046; B65D 81/3294

See application file for complete search history.

(56) **References Cited**

U.S. PATENT DOCUMENTS

D222,035 S *	9/1971	Cyr et al.	D9/761
D226,836 S *	5/1973	Cyr et al.	D9/761
D236,691 S *	9/1975	Haase	D9/761
D236,692 S *	9/1975	Haase	D9/761
D240,353 S *	6/1976	Edwards	D9/761
4,298,133 A *	11/1981	Davis	B65D 43/162 220/4.23
D262,866 S *	2/1982	Commisso	D9/420
D262,944 S *	2/1982	Commisso	D9/420
D263,023 S *	2/1982	Commisso	D9/420

D269,854 S *	7/1983	Commisso	D9/426
D270,708 S *	9/1983	Dart	D9/756
5,515,993 A	5/1996	McManus		
D408,734 S *	4/1999	McCann	D9/423
5,906,292 A *	5/1999	Rider, Jr.	B65D 43/162 206/508
D505,323 S *	5/2005	Ramirez	D9/432
D536,992 S	2/2007	Garg et al.		
D551,546 S *	9/2007	Ramirez	D9/424
D586,623 S	2/2009	Dunn		
D601,014 S	9/2009	Petitjean		
D615,822 S	5/2010	Klein		
D640,548 S	6/2011	Lawrence et al.		
D646,587 S *	10/2011	Daniels	D9/761

(Continued)

Primary Examiner — W. A. Teddy Falloway

(74) *Attorney, Agent, or Firm* — Fulwider Patton LLP

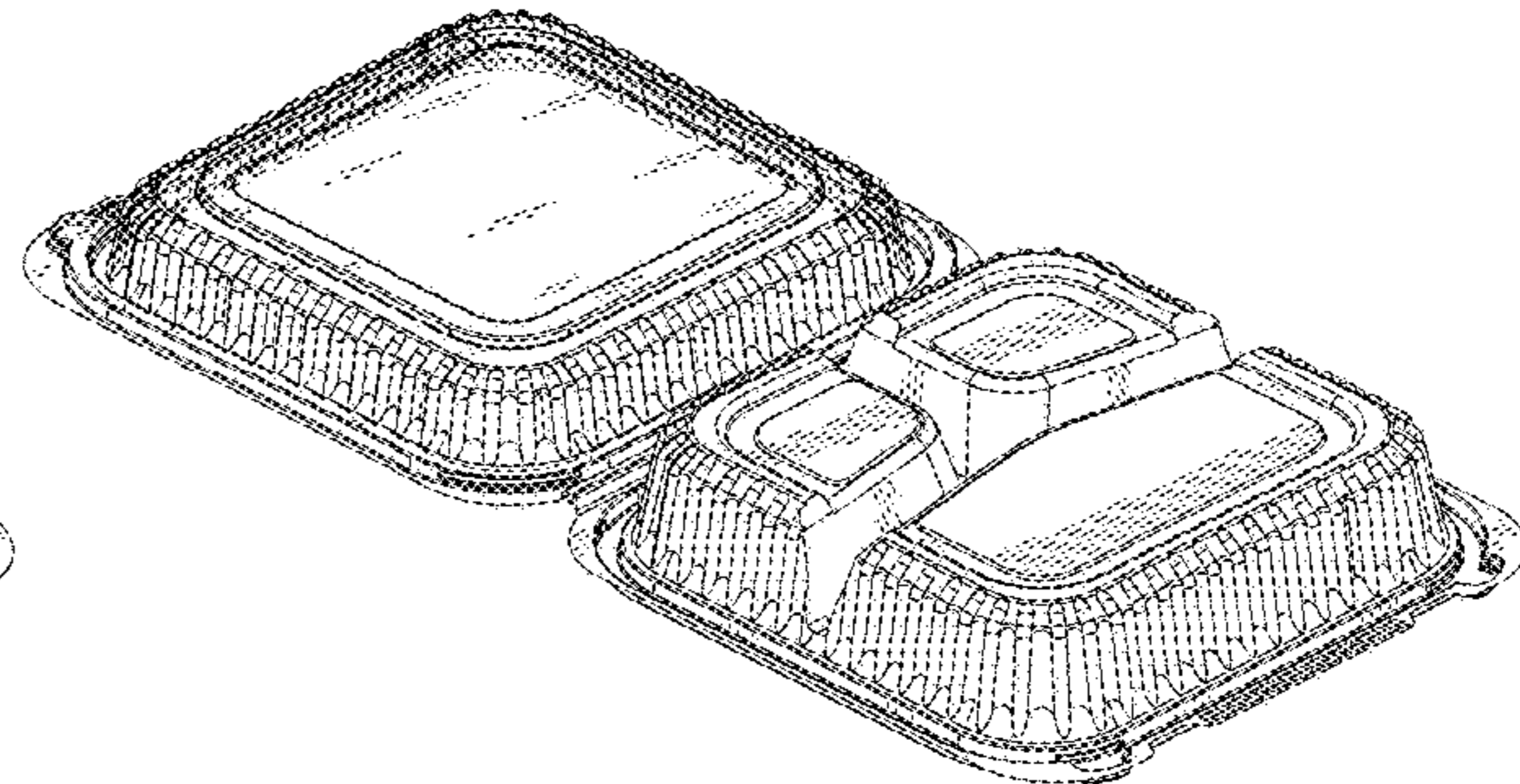
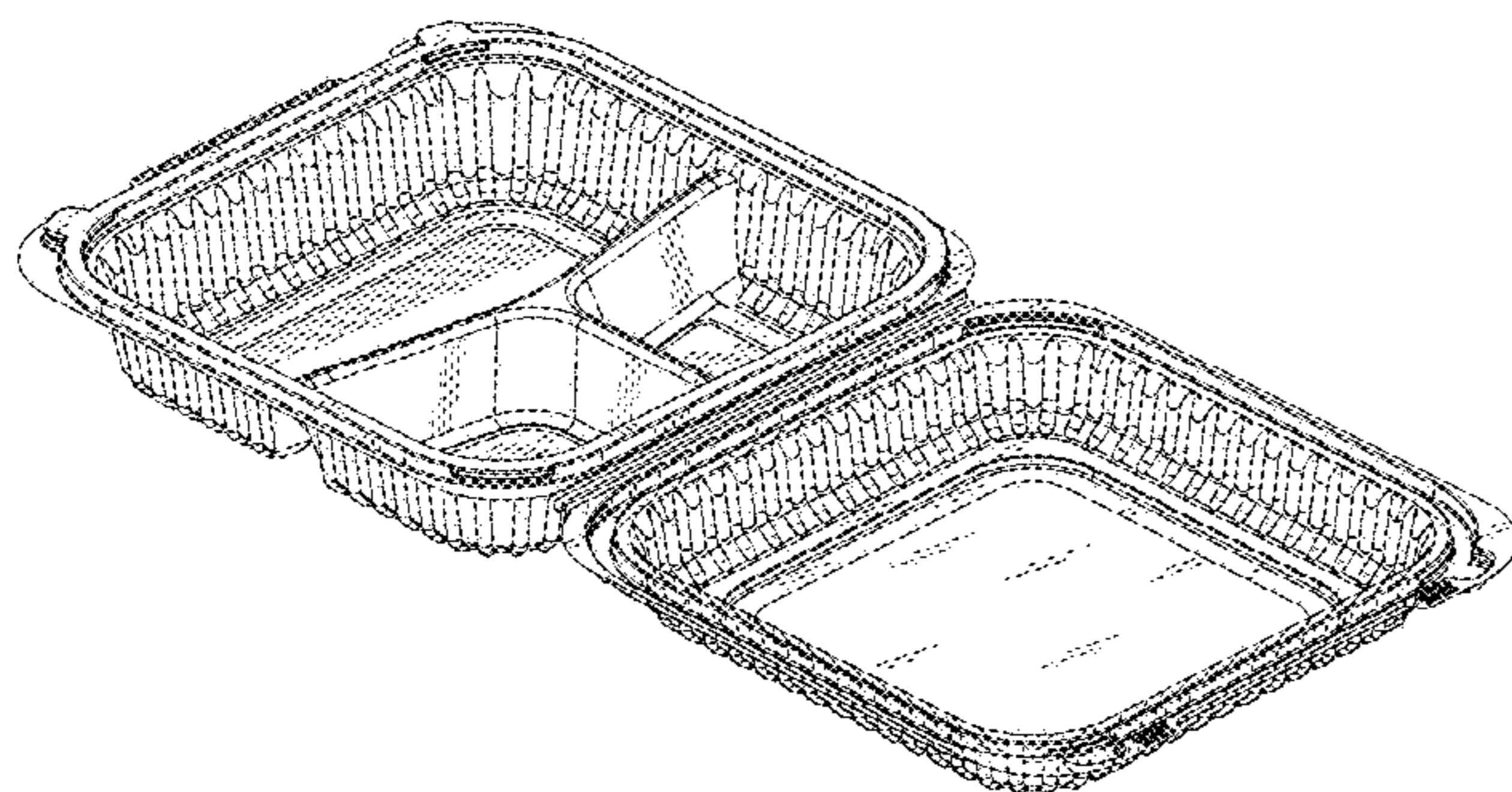
(57) **CLAIM**

I claim the ornamental design for a hinged food container with compartments, as shown and described.

DESCRIPTION

FIG. 1 is a top perspective view of the hinged food container with compartments in an open condition;
 FIG. 2 is a bottom perspective view of the hinged food container with compartments in an open condition;
 FIG. 3 is a top plan view of the hinged food container with compartments in an open condition;
 FIG. 4 is a left side view of the hinged food container with compartments in an open condition;
 FIG. 5 is a bottom view of the hinged food container with compartments in an open condition.
 FIG. 6 is a right side view of the hinged food container with compartments in an open condition;
 FIG. 7 is a rear view of the hinged food container with compartments in an open condition; and,
 FIG. 8 is a front view of the hinged food container with compartments in an open condition.

1 Claim, 5 Drawing Sheets



(56)

References Cited

U.S. PATENT DOCUMENTS

D663,633 S *	7/2012	Rivera	D9/737	D764,276 S	8/2016	Das et al.	
D668,537 S	10/2012	Sanfilippo			D764,907 S *	8/2016	Das D9/425
D668,950 S	10/2012	Sanfilippo			D778,115 S	2/2017	Strachan	
D672,644 S *	12/2012	Allers	D9/423	D778,155 S	2/2017	Strachan	
D675,517 S	2/2013	Garza			D778,722 S	2/2017	Strachan	
D680,860 S	4/2013	Schulter et al.			D792,160 S	7/2017	Ng	
D681,446 S *	5/2013	Schulter	D9/426	D792,161 S	7/2017	Ng	
D681,447 S	5/2013	Schulter et al.			D793,811 S	8/2017	Ng	
D683,623 S	6/2013	Chen			D848,258 S *	5/2019	Mei D9/429
D686,064 S	7/2013	Garza			D874,296 S *	2/2020	Wouters D9/761
D694,619 S	12/2013	Pham et al.			2004/0026430 A1 *	2/2004	Baker B65D 1/36 220/575
D697,795 S	1/2014	Garza			2005/0155966 A1 *	7/2005	Mantis B65D 77/26 220/4.23
9,120,595 B2	9/2015	Chou			2005/0247709 A1	11/2005	Atkins et al.	
9,132,942 B2	9/2015	Nikaein			2006/0081641 A1	4/2006	Habeger et al.	
9,187,209 B1	11/2015	Hanna et al.			2007/0045317 A1	3/2007	Rosender et al.	
D749,412 S	2/2016	Hu			2010/0072217 A1	3/2010	Parikh et al.	
D752,430 S	3/2016	Stevenson et al.			2011/0000929 A1	1/2011	Brown et al.	
D756,770 S	5/2016	Snedden et al.			2011/0139785 A1	6/2011	Strange et al.	
					2012/0031921 A1	2/2012	Cadiente	

* cited by examiner

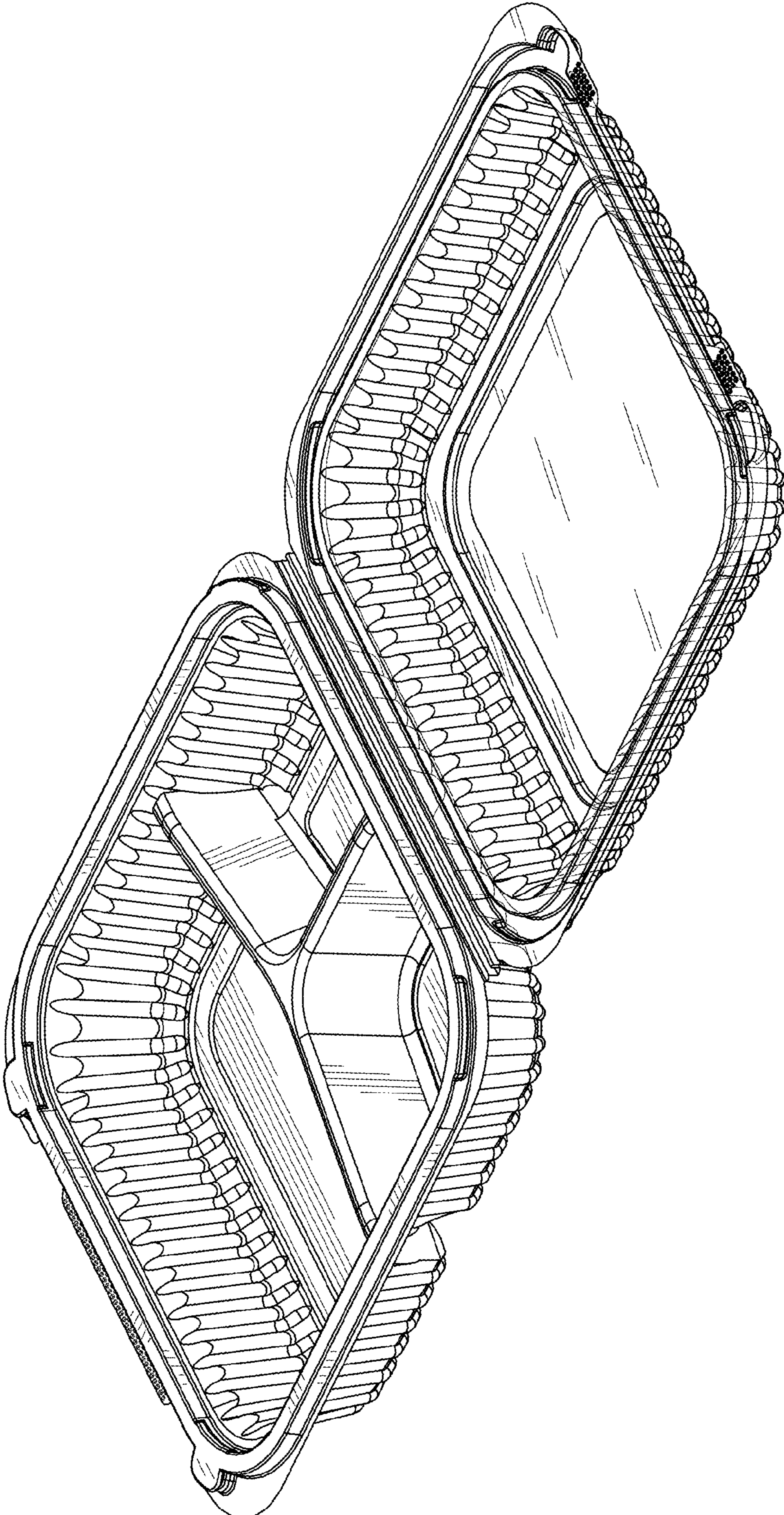


FIG. 1

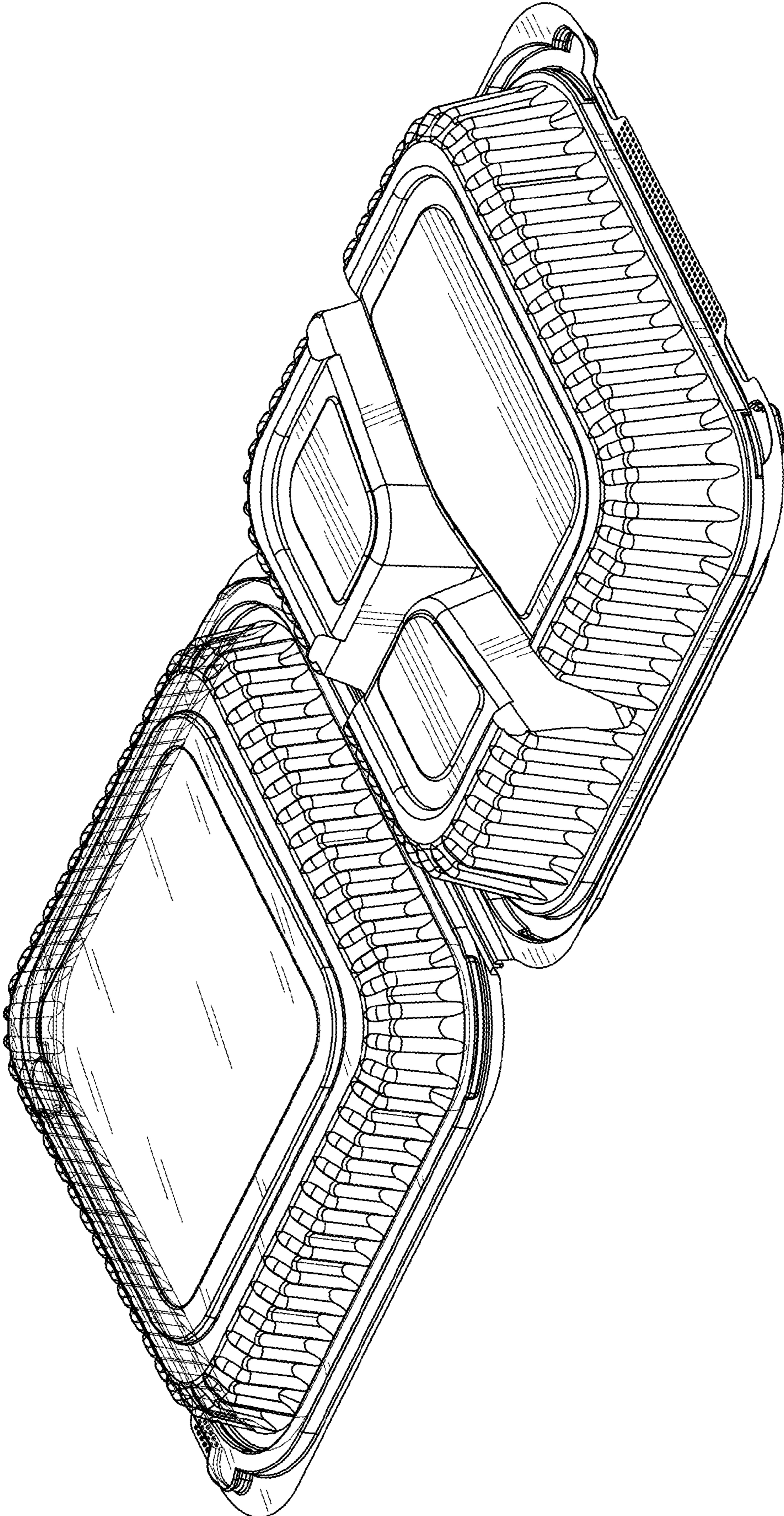


FIG. 2

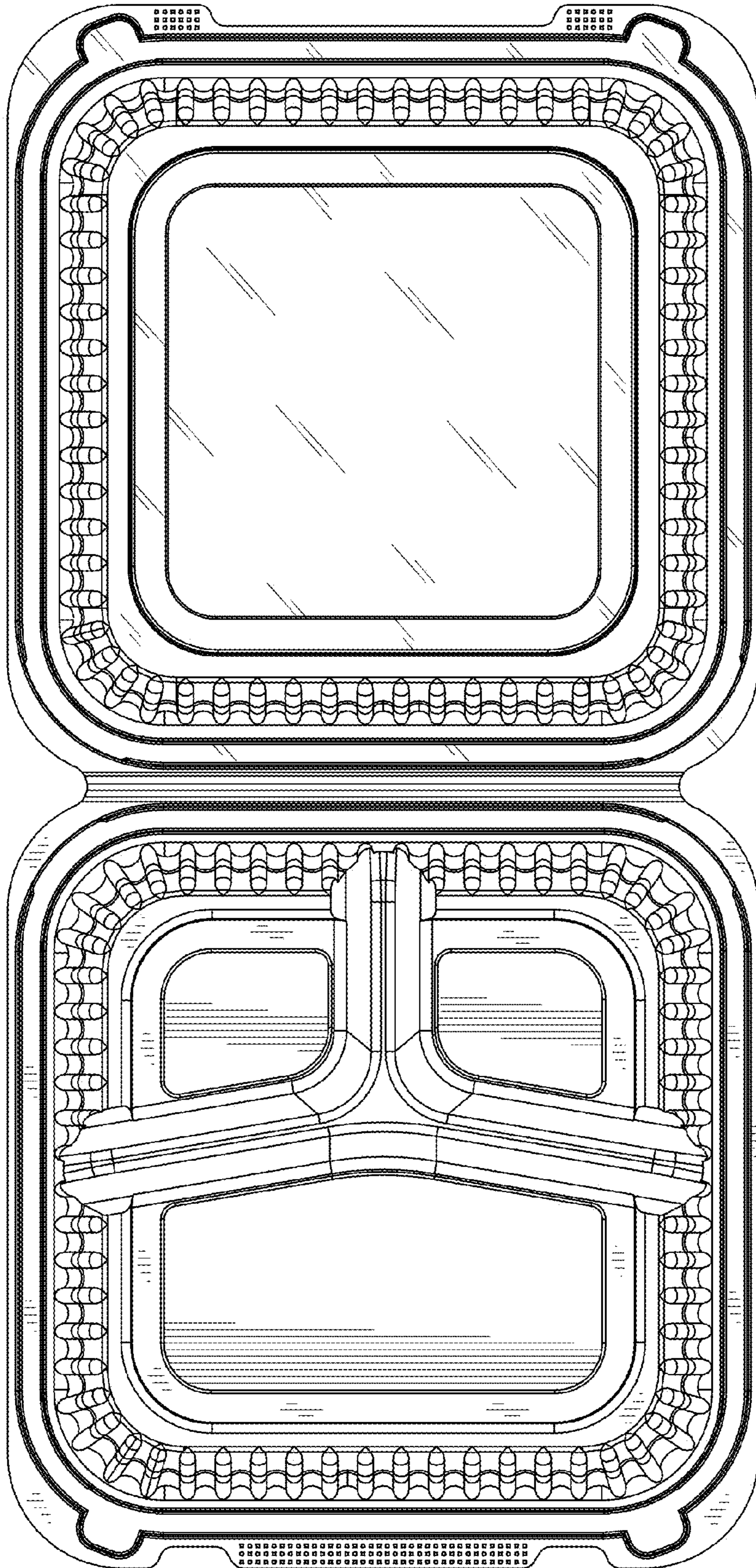


FIG. 3

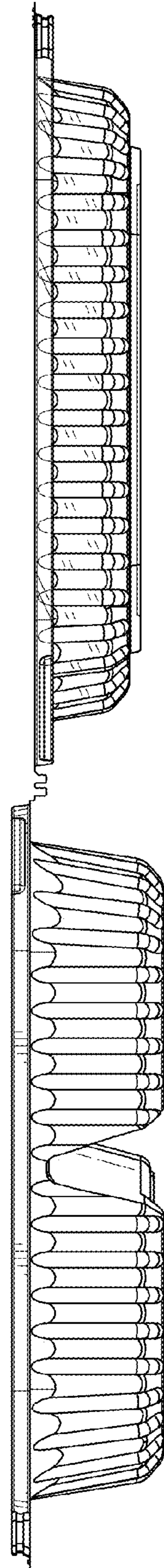


FIG. 4

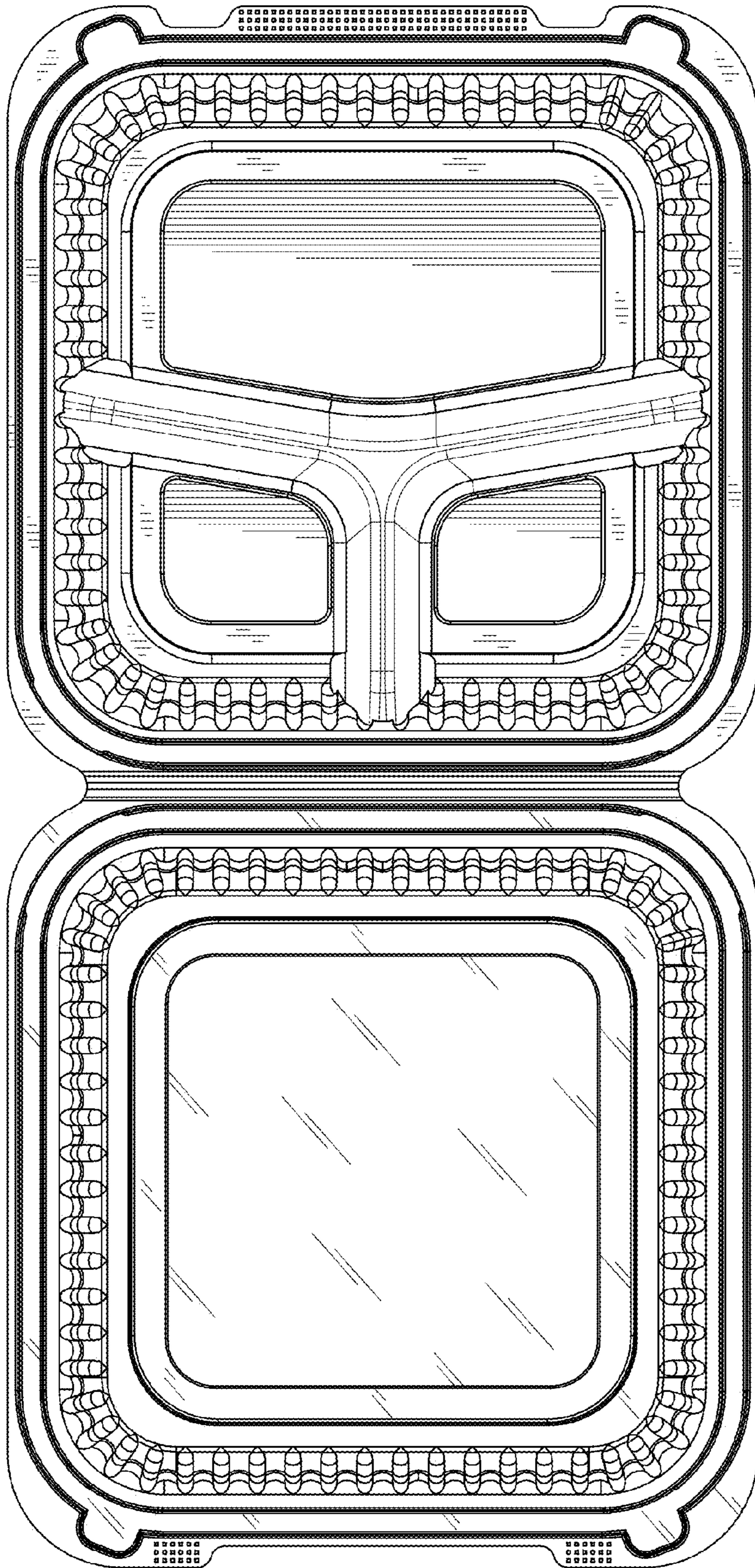


FIG. 5

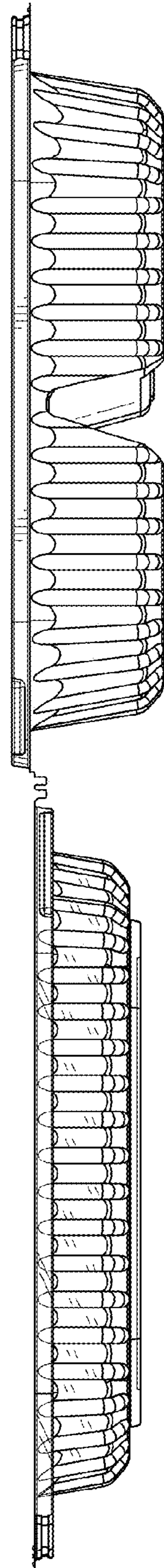


FIG. 6

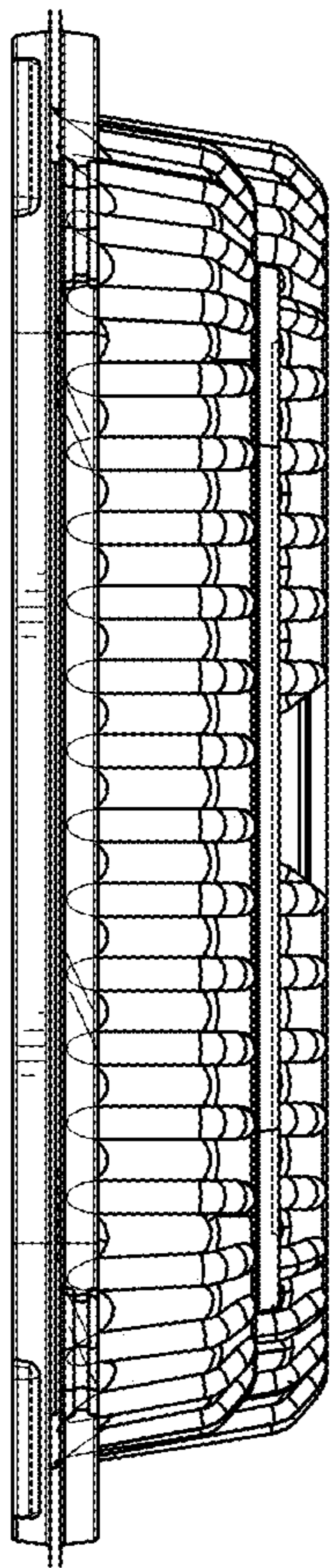


FIG. 7

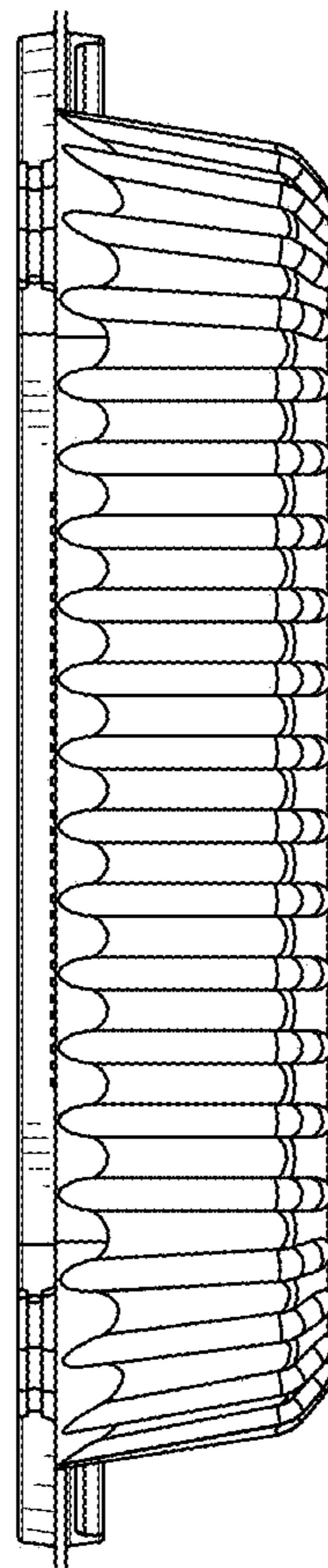


FIG. 8