



US00D904204S

(12) **United States Design Patent** (10) **Patent No.:** **US D904,204 S**
Hampton et al. (45) **Date of Patent:** **** Dec. 8, 2020**

(54) **BLISTER PACKAGE**
(71) Applicant: **Braun GmbH**, Kronberg (DE)
(72) Inventors: **Joshua Hampton**, Frankfurt (DE);
Martin Marotti, Carmel, IN (US)
(73) Assignee: **Braun GmbH**, Kronberg (DE)
(**) Term: **15 Years**
(21) Appl. No.: **29/684,183**
(22) Filed: **Mar. 19, 2019**
(51) **LOC (12) Cl.** **09-01**
(52) **U.S. Cl.**
USPC **D9/732**
(58) **Field of Classification Search**
USPC D9/415, 418, 424, 732
CPC B65D 75/327; B65D 75/36; B65D 75/366;
B65D 75/367; B65D 75/32; B65D
2575/3245; B65D 75/326; B65D
2575/366; B65D 2585/88; B65D 75/322;
B65D 77/2032; B65D 5/4204; B65D
75/22; B65D 77/0413; B65D 5/4208;
B65D 77/02; B65D 25/22; B65D
75/5833; B65D 85/00; B65D 2543/00194;
B65D 2301/20; B65D 2575/3218; B65D
73/0007; B65D 73/0042
See application file for complete search history.

(56) **References Cited**
U.S. PATENT DOCUMENTS
4,371,080 A * 2/1983 Haines B65D 75/366
206/531
6,059,106 A * 5/2000 Baker A45D 44/18
206/361

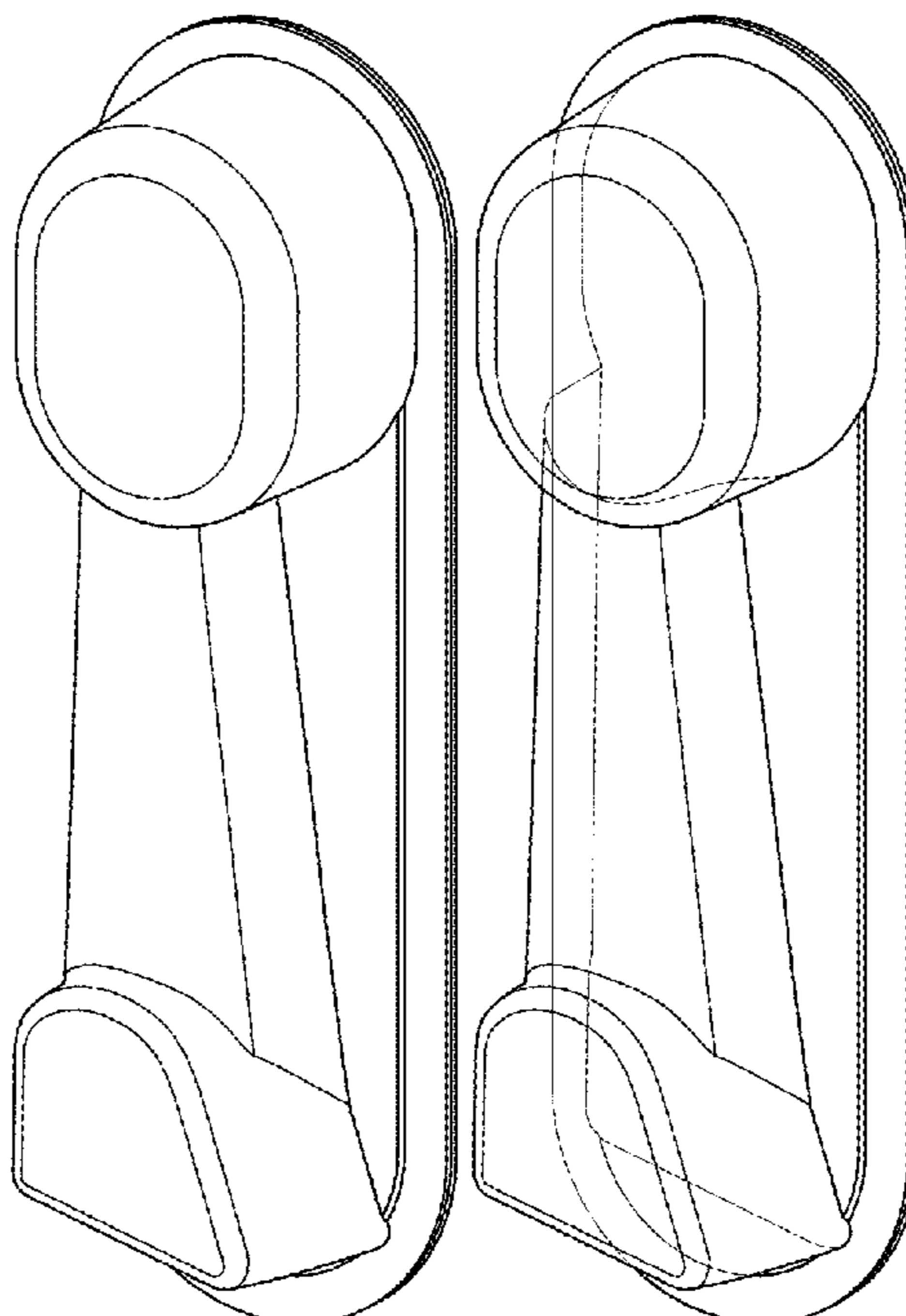
D487,397 S * 3/2004 Peghini D9/696
6,889,829 B2 * 5/2005 Lev A61C 17/22
206/361
D659,022 S * 5/2012 Kemner D9/732
D831,223 S * 10/2018 Tremblay D24/224
2003/0205492 A1 * 11/2003 Ferber A61C 17/22
206/362.2
2006/0091037 A1 * 5/2006 Grote B65D 75/36
206/471
2016/0325901 A1 * 11/2016 Tewes B25H 3/006
* cited by examiner

Primary Examiner — Lauren R Calve
(74) *Attorney, Agent, or Firm* — Vladimir Vitenberg

(57) **CLAIM**
The ornamental design for a blister package, as shown and described.

DESCRIPTION
FIG. 1 is a perspective view of a blister package;
FIG. 2 is a front view thereof;
FIG. 3 is a right side view thereof;
FIG. 4 is a rear view thereof;
FIG. 5 is a left side view thereof;
FIG. 6 is a top plan view thereof; and
FIG. 7 is a bottom view thereof.
FIG. 8 is a perspective view of a blister package according to a second embodiment;
FIG. 9 is a front view thereof;
FIG. 10 is a right side view thereof;
FIG. 11 is a rear view thereof;
FIG. 12 is a left side view thereof;
FIG. 13 is a top plan view thereof; and,
FIG. 14 is a bottom view thereof.

1 Claim, 4 Drawing Sheets



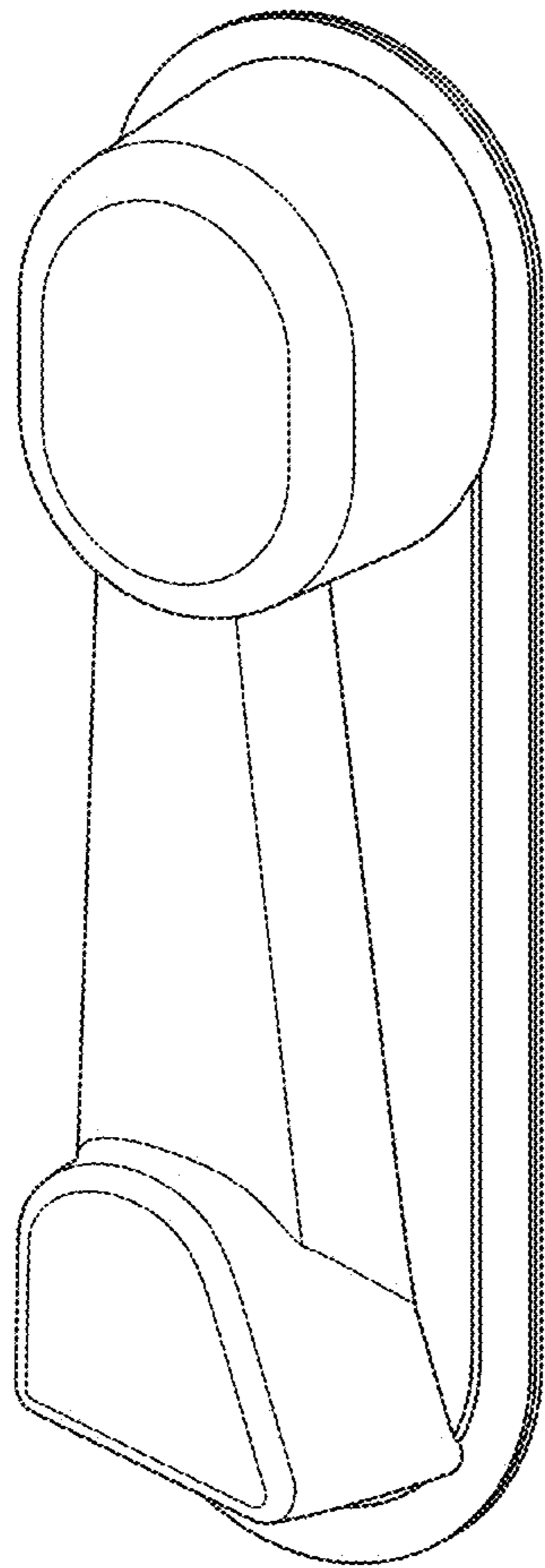


FIG. 1

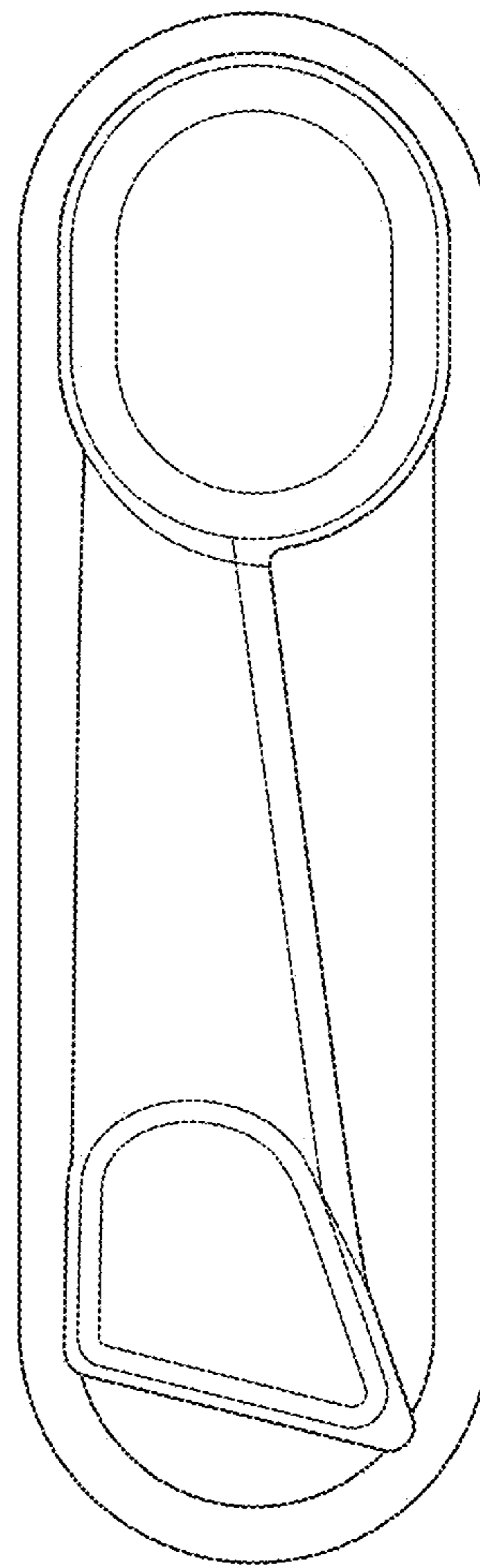


FIG. 2

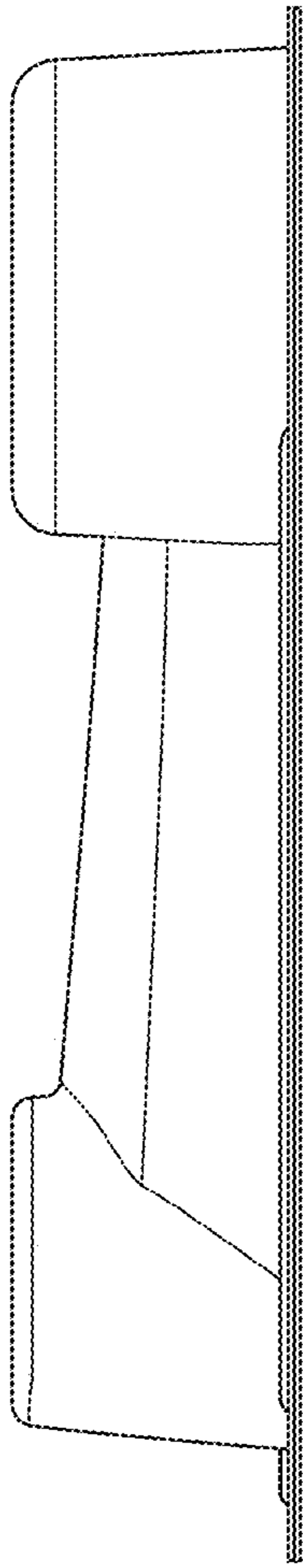


FIG. 3

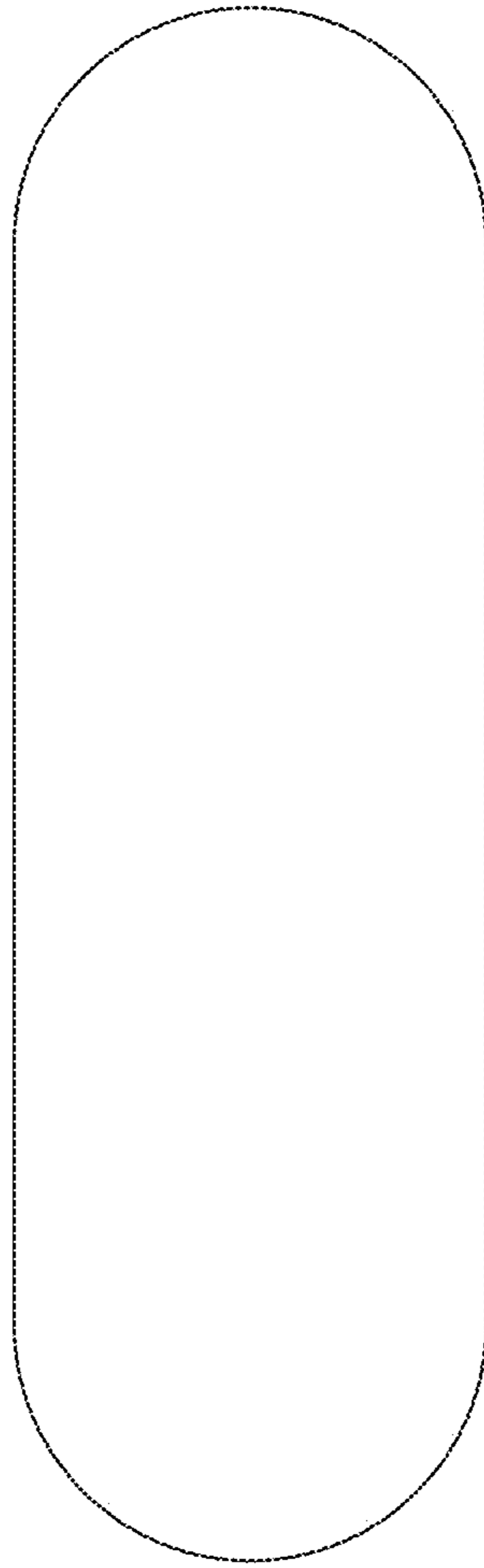


FIG. 4

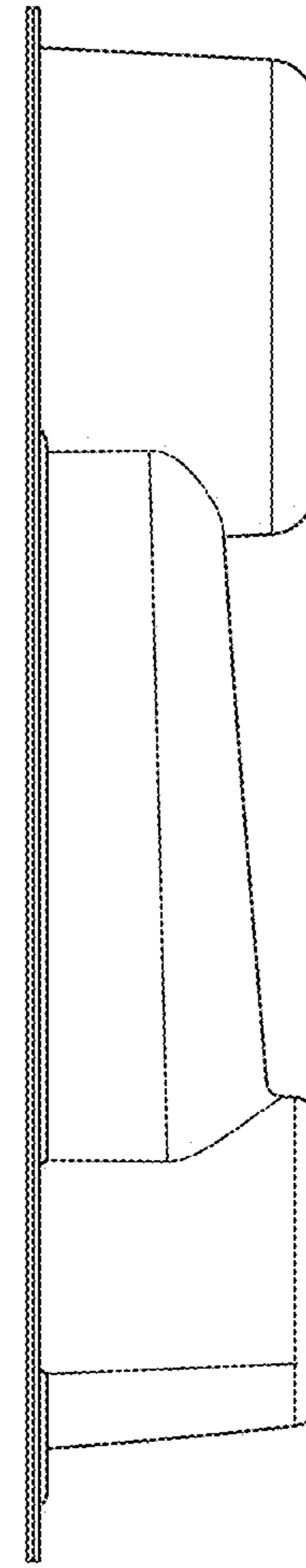


FIG. 5

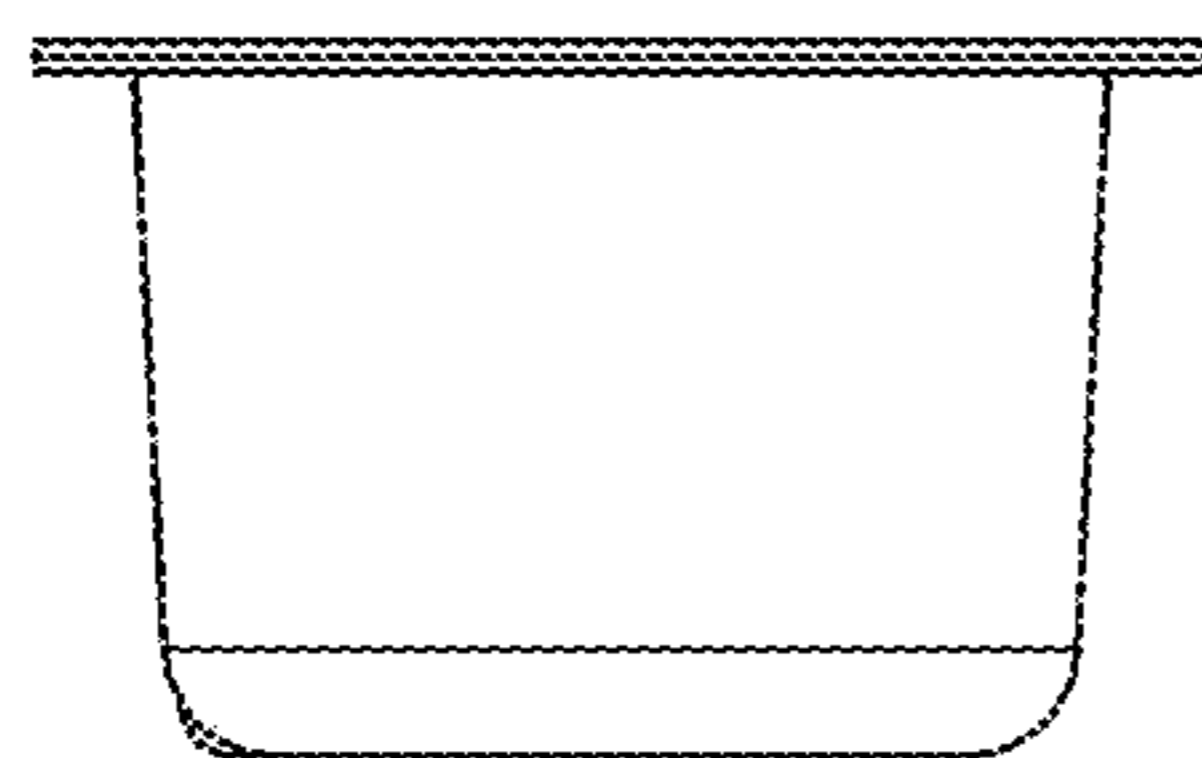


FIG. 6

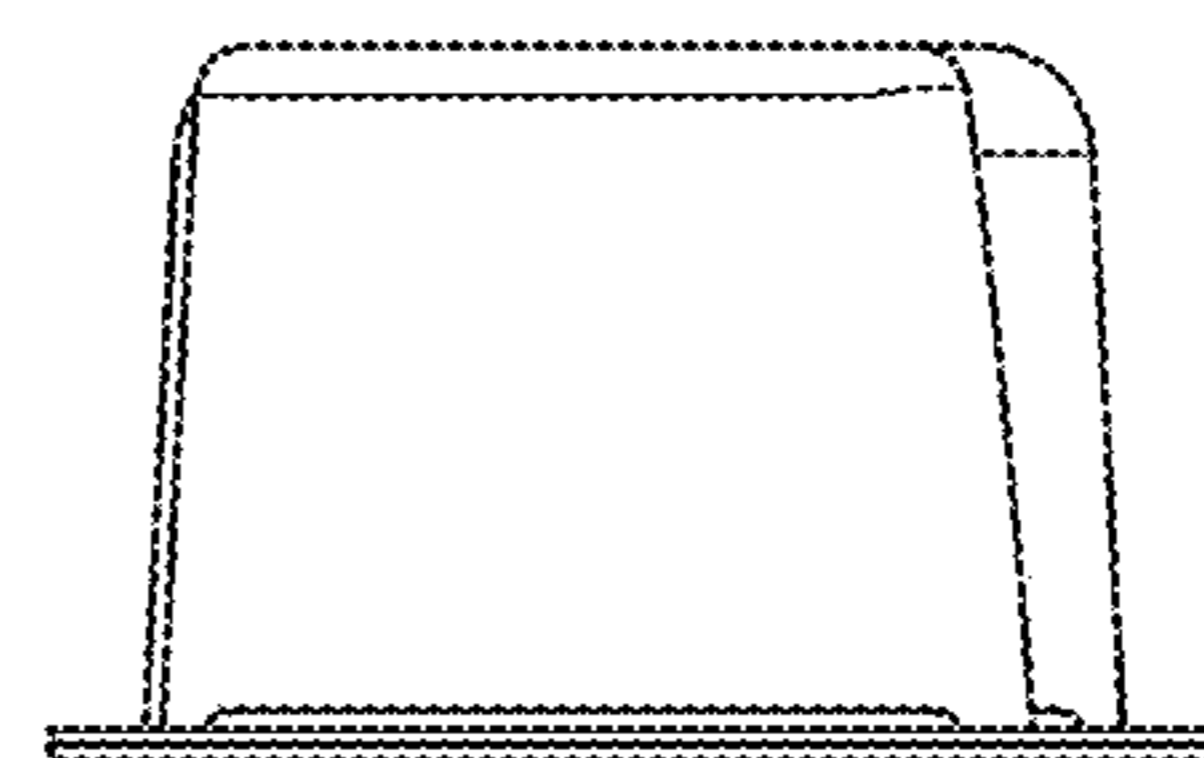


FIG. 7

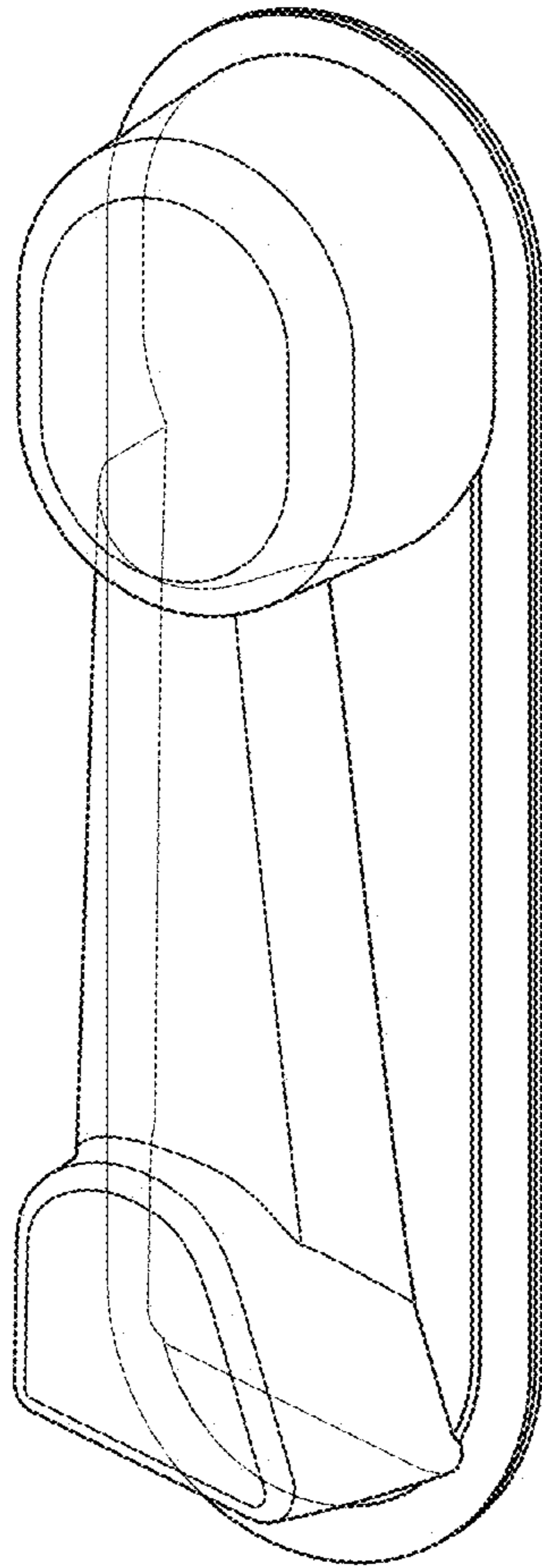


FIG. 8

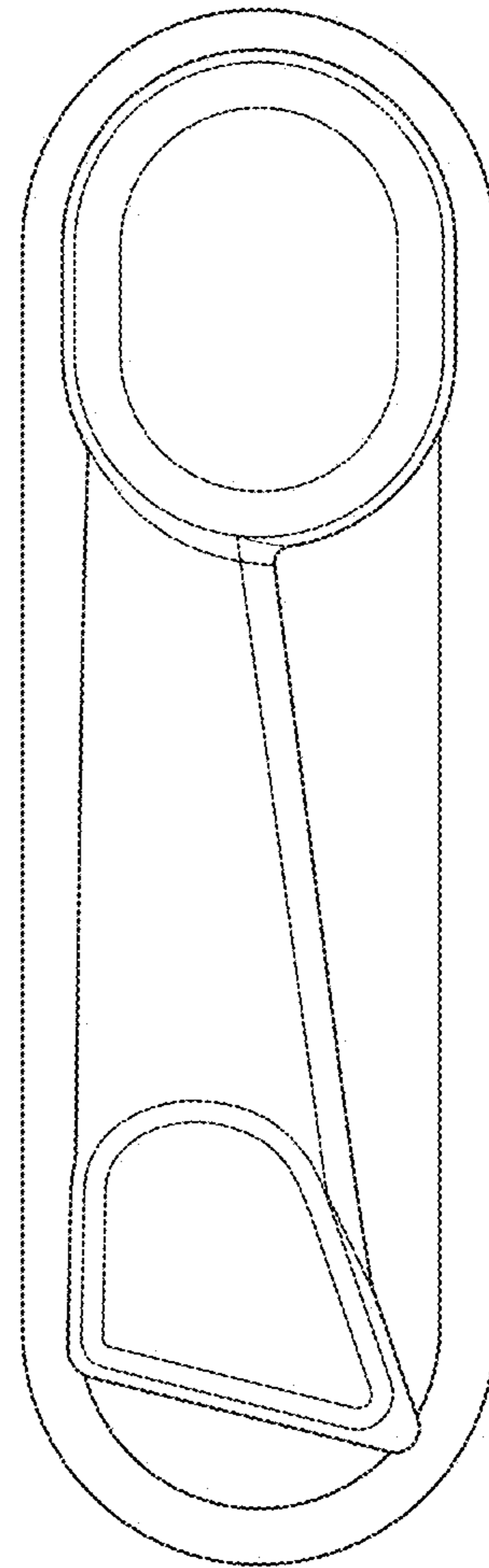


FIG. 9

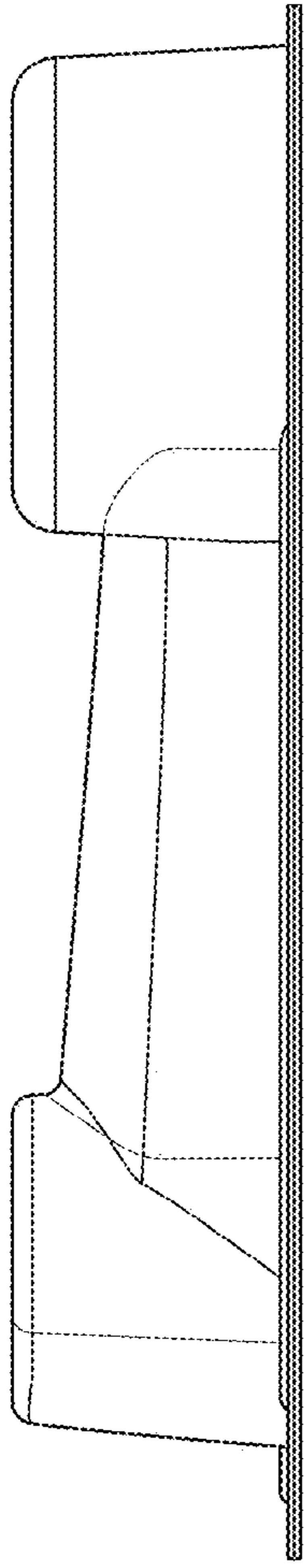


FIG. 10

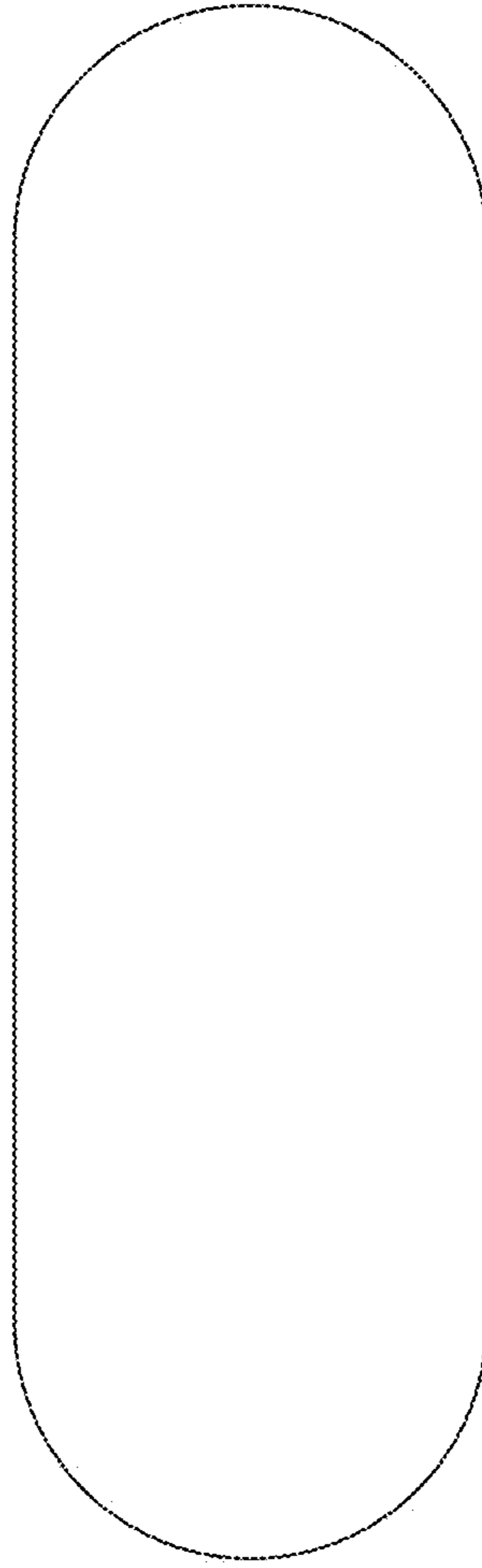


FIG. 11

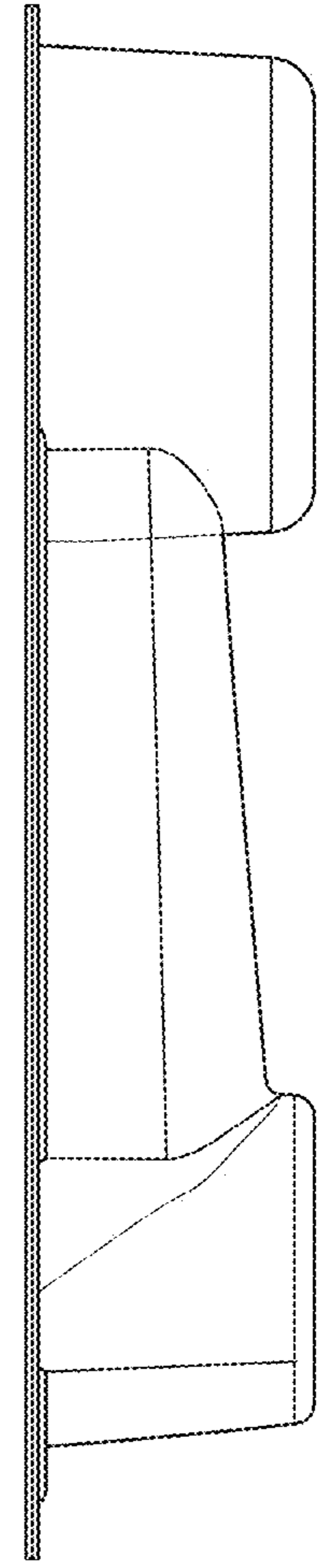


FIG. 12

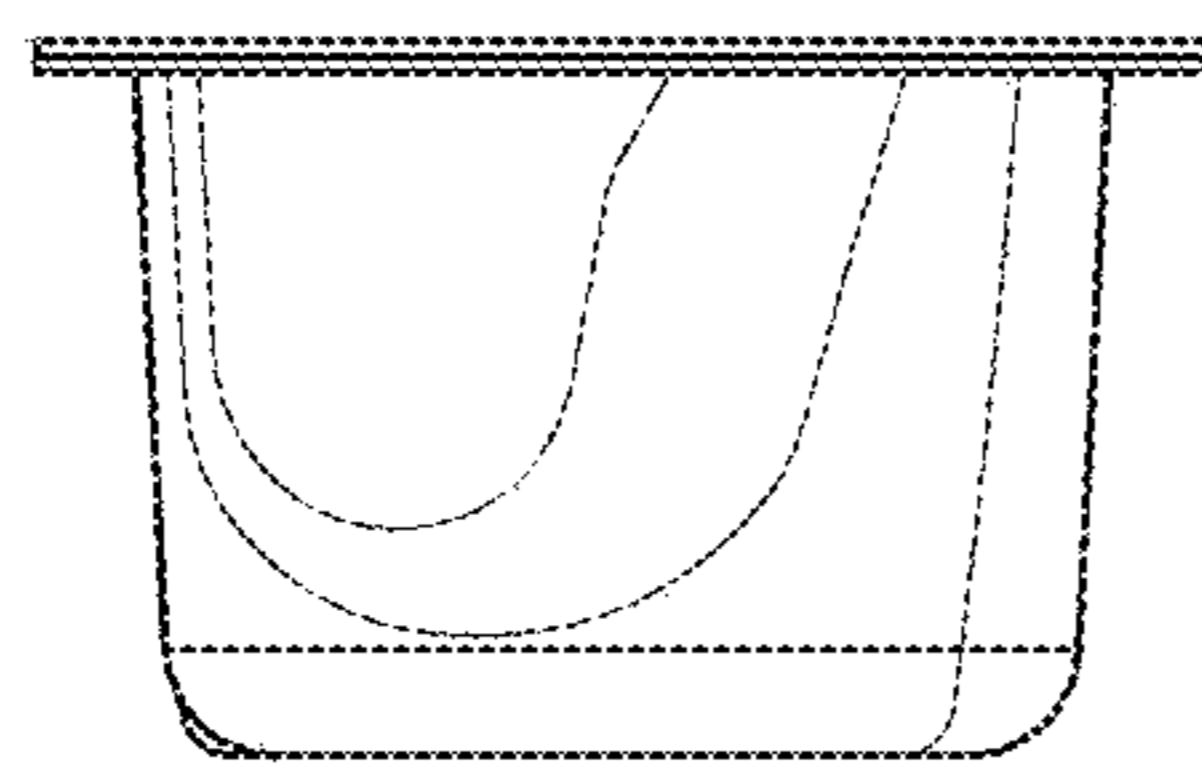


FIG. 13

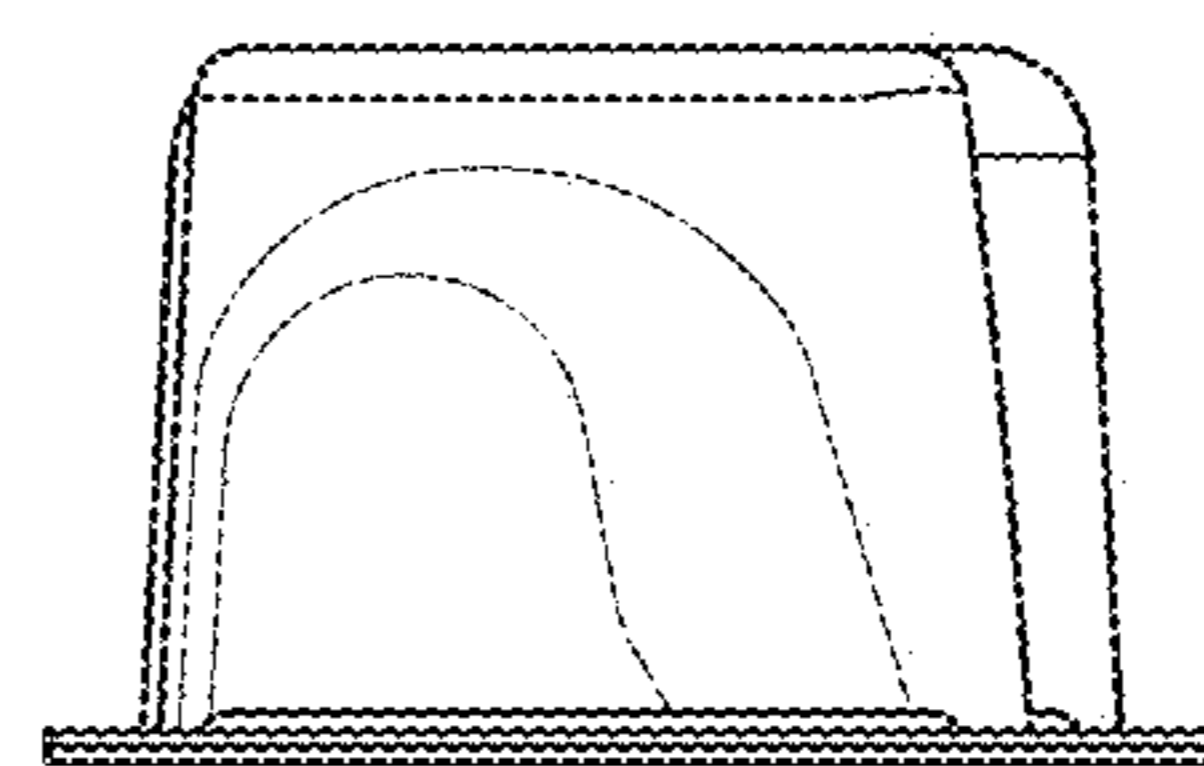


FIG. 14