



US00D904200S

(12) **United States Design Patent** (10) **Patent No.:** **US D904,200 S**  
**Mai** (45) **Date of Patent:** **\*\* Dec. 8, 2020**

- (54) **LETTER SHAPED LIQUOR BOTTLE**
- (71) Applicant: **Andy Nguyen Mai**, Seattle, WA (US)
- (72) Inventor: **Andy Nguyen Mai**, Seattle, WA (US)
- (\*\*) Term: **15 Years**
- (21) Appl. No.: **29/705,541**
- (22) Filed: **Sep. 12, 2019**

**Related U.S. Application Data**

- (63) Continuation of application No. 29/604,307, filed on May 16, 2017, now Pat. No. Des. 859,995, which is a continuation of application No. 29/536,937, filed on Aug. 20, 2015, now Pat. No. Des. 790,356, which is a continuation of application No. 29/494,789, filed on Jun. 24, 2014, now Pat. No. Des. 739,258, and a continuation of application No. 29/491,740, filed on May 23, 2014, now Pat. No. Des. 739,257.
- (51) **LOC (12) Cl.** ..... **09-01**
- (52) **U.S. Cl.**  
USPC ..... **D9/652**
- (58) **Field of Classification Search**  
USPC ..... D9/600, 652, 500-505, 516, 522, D9/529-530, 537-546, 548-561, D9/572-575, 434-454; 206/457, 494, 206/459.5, 527, 540; 229/116.1; 446/77; 215/381-384, 400; D7/514-516, 539, D7/544, 571, 579, 604, 613, 619.2, D7/628-630, 391-392.1; D3/270-271.3  
CPC ..... B65D 67/00; B65D 81/36; B65D 81/60; B65D 81/368; B65D 2203/00; B65D 2203/02; A63H 33/16  
See application file for complete search history.

- (56) **References Cited**  
U.S. PATENT DOCUMENTS  
D79,455 S \* 9/1929 Blunt ..... B65D 11/00 D9/652  
D114,745 S \* 5/1939 Blunt ..... D9/652  
D182,930 S \* 5/1958 Schiaparelli ..... D9/652  
D287,935 S \* 1/1987 Bech ..... D9/652  
D380,960 S \* 7/1997 Blotsky ..... D9/652  
D631,367 S \* 1/2011 Vuong ..... D9/652  
2003/0141269 A1 \* 7/2003 Roderick ..... B65D 11/00 215/44

\* cited by examiner

*Primary Examiner* — Sandra L Morris  
(74) *Attorney, Agent, or Firm* — Christopher Mayle; Thomas E. LaGrandeur; Bold IP, PLLC

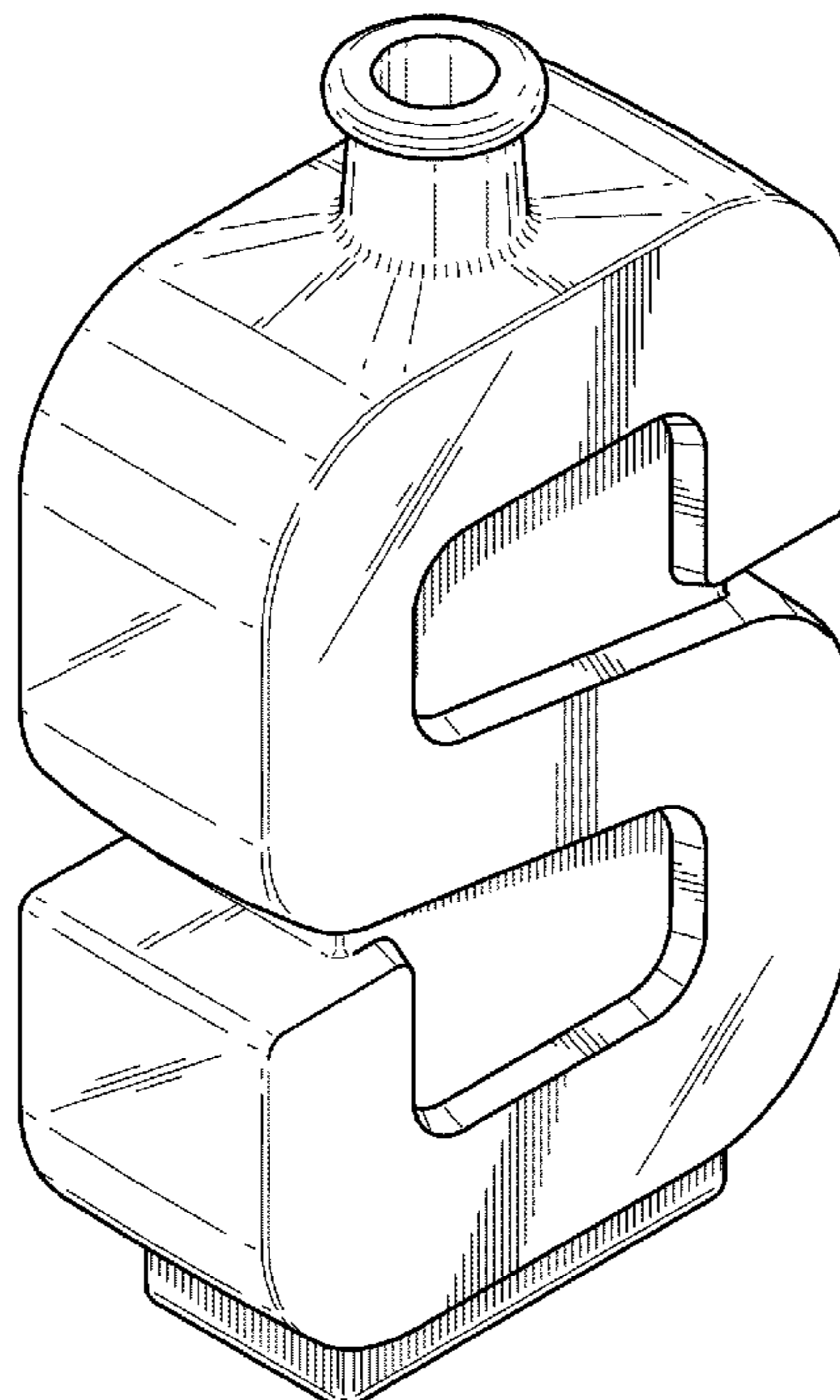
(57) **CLAIM**

The ornamental design for a letter shaped liquor bottle, as shown and described.

**DESCRIPTION**

FIG. 1 is a perspective view of an embodiment of the letter shaped liquor bottle, or portion thereof, showing my new design;  
FIG. 2 is a front view thereof;  
FIG. 3 is a right view thereof;  
FIG. 4 is a left view thereof;  
FIG. 5 is a top view thereof; and,  
FIG. 6 is a bottom view thereof.  
Any broken lines in the figures are shown for illustrative purposes only and form no part of the claimed design.

**1 Claim, 3 Drawing Sheets**



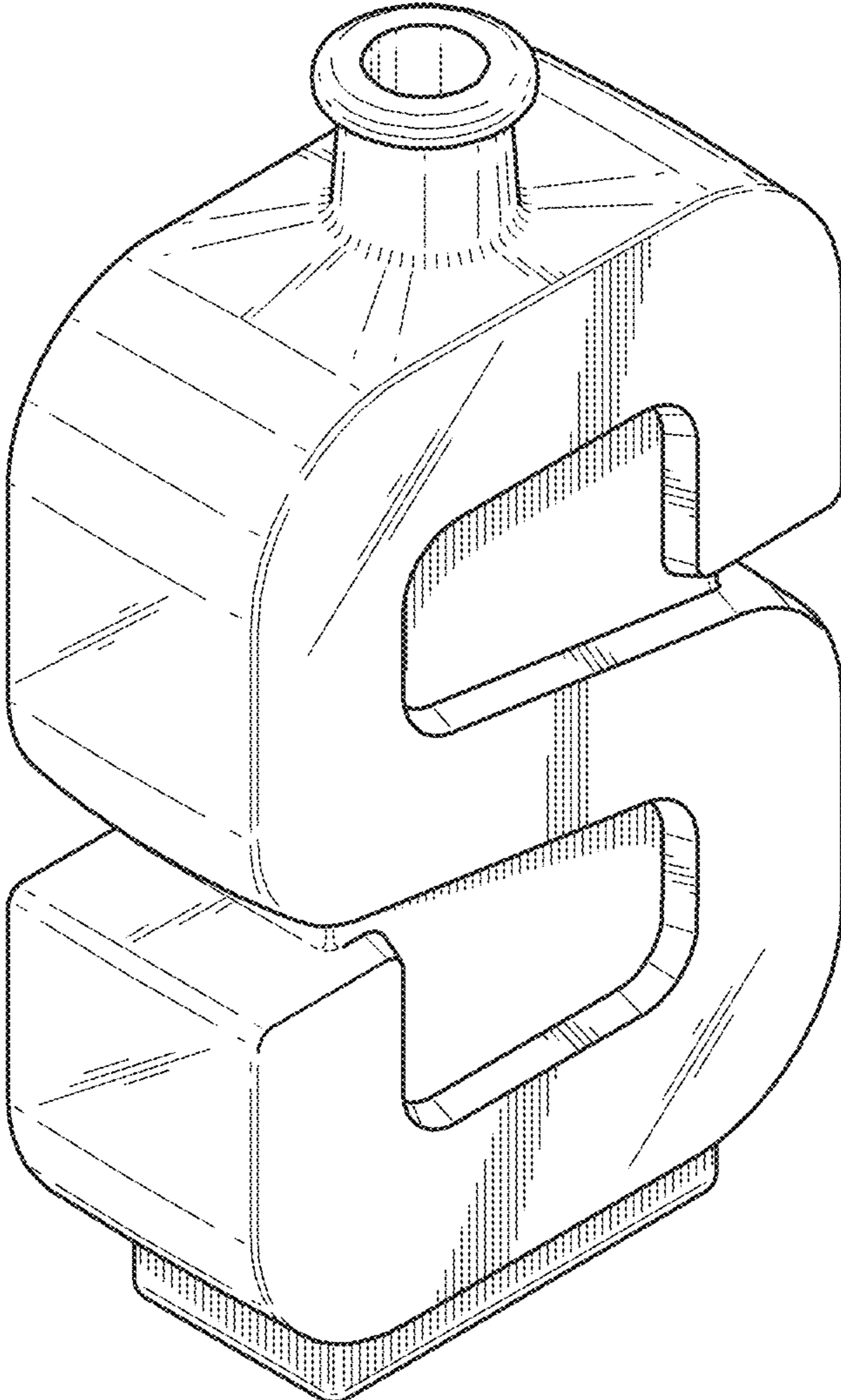


FIG. 1

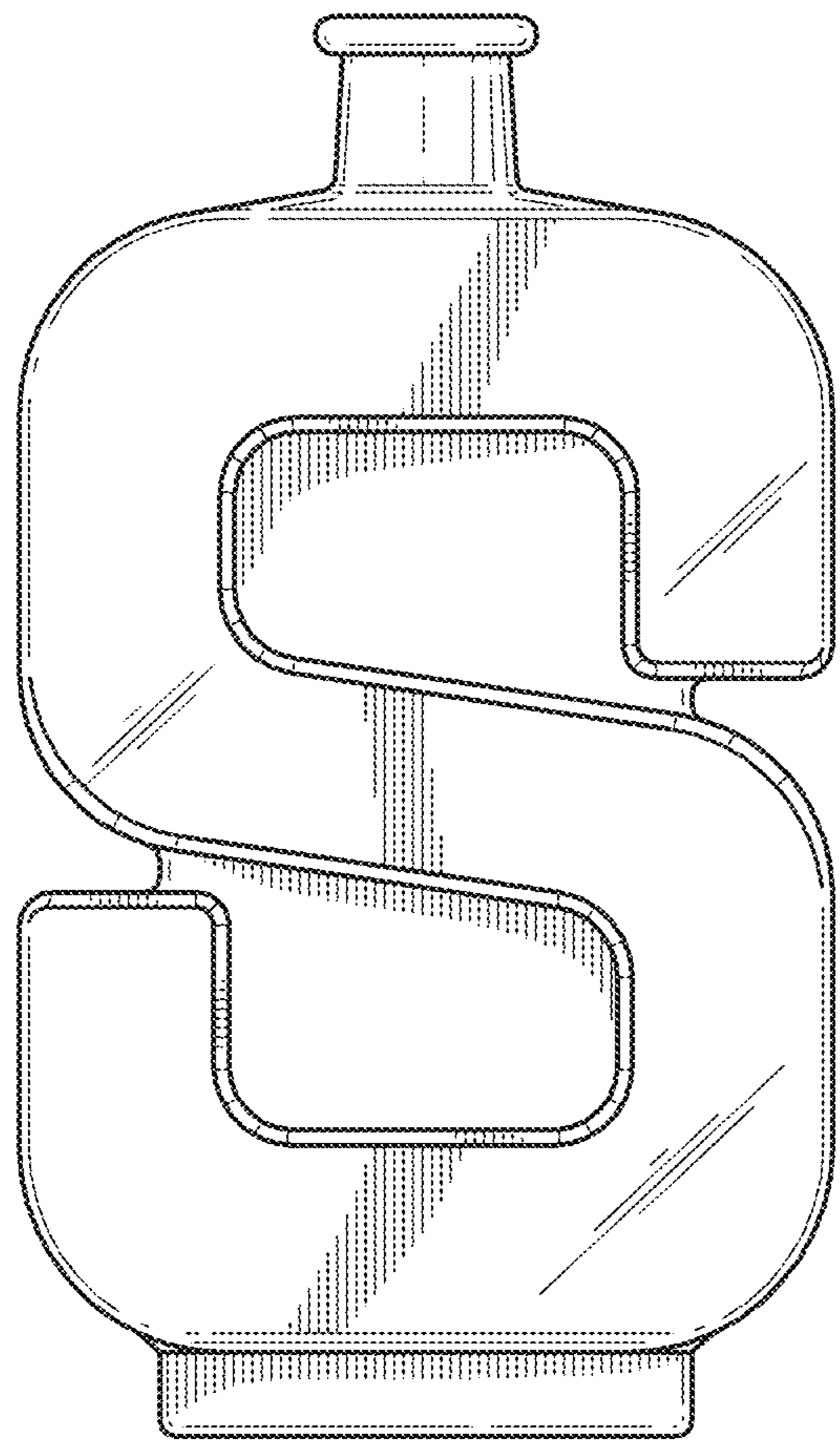


FIG. 2

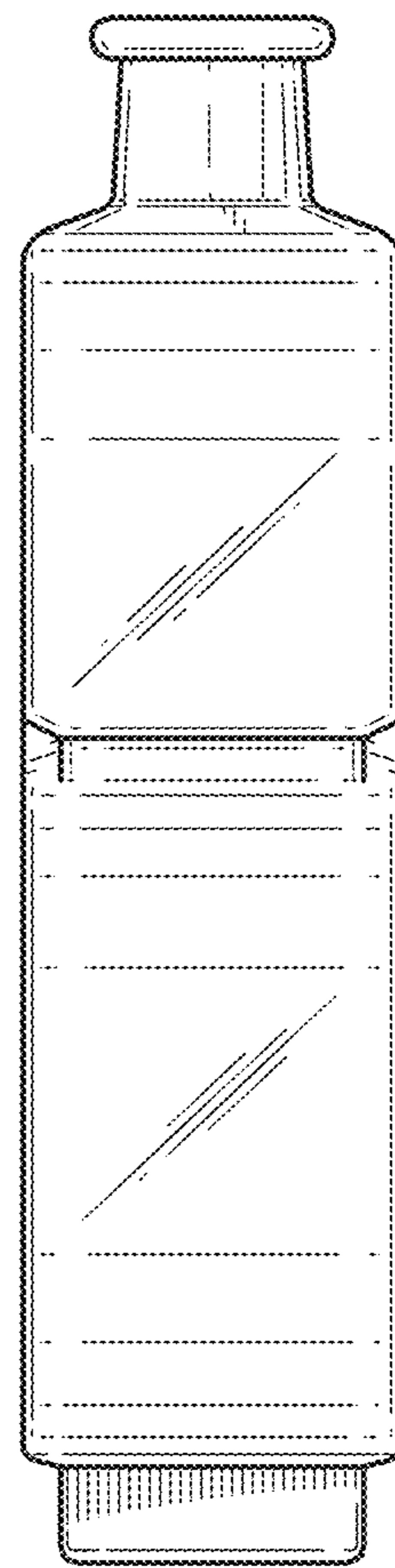


FIG. 3

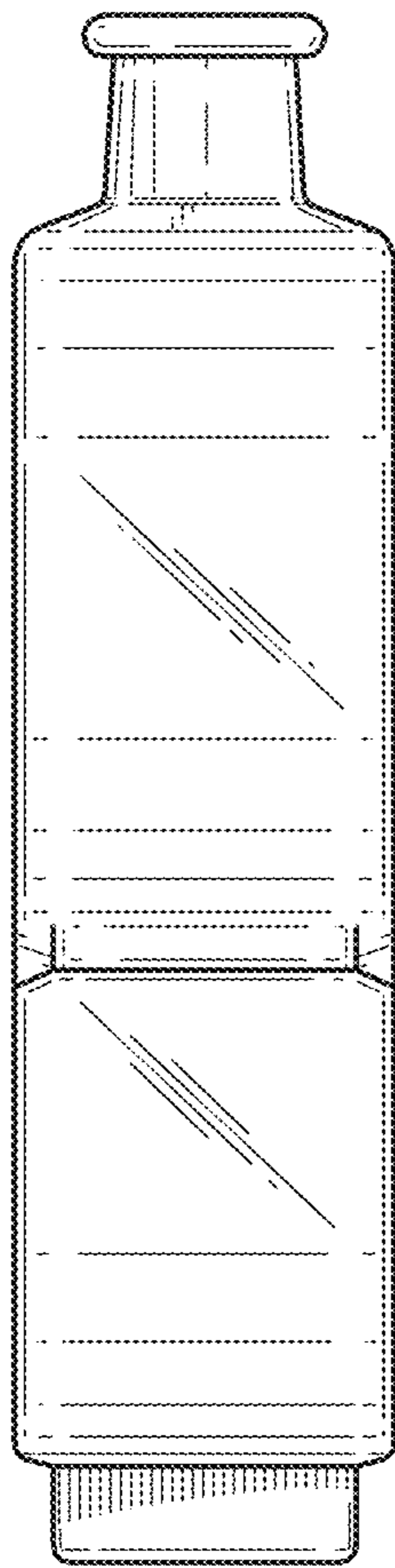


FIG. 4

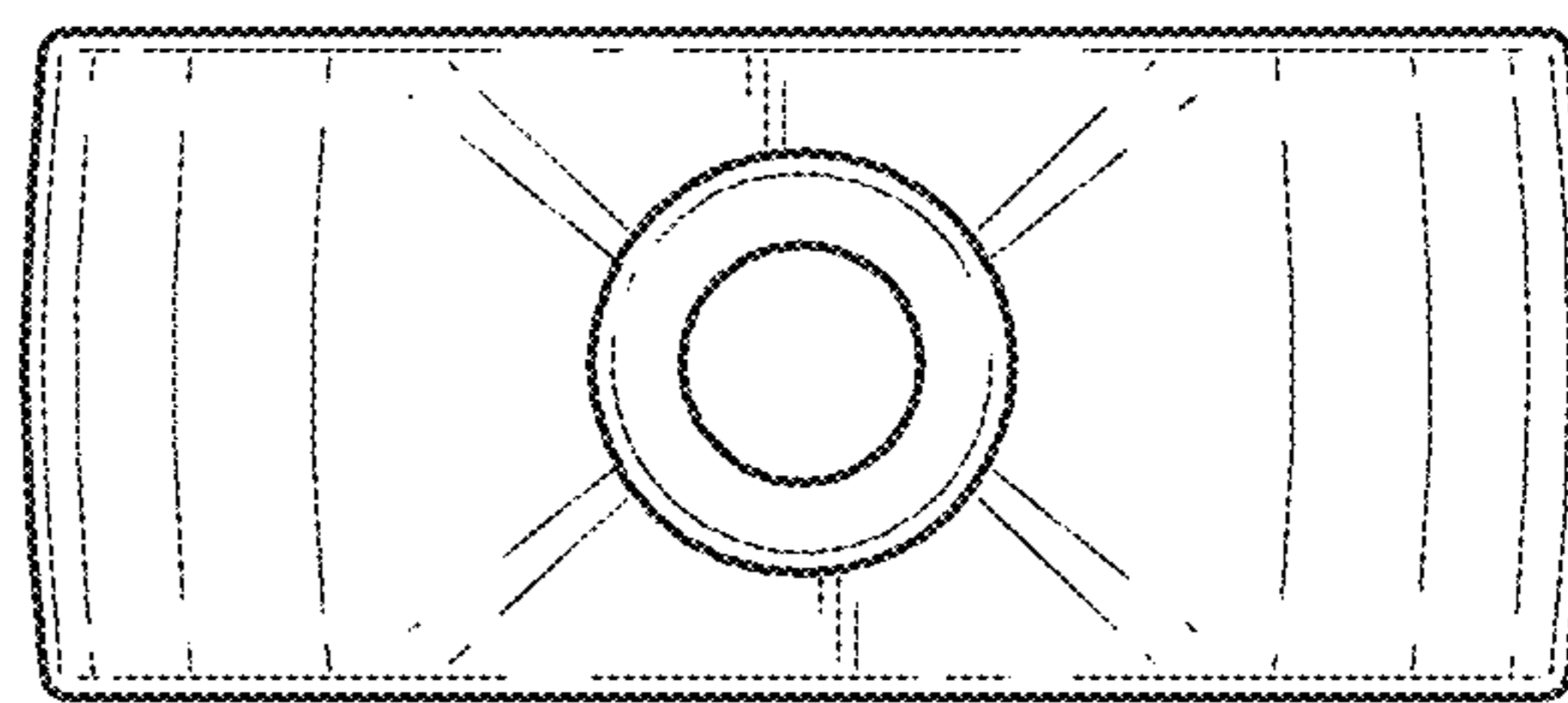


FIG. 5

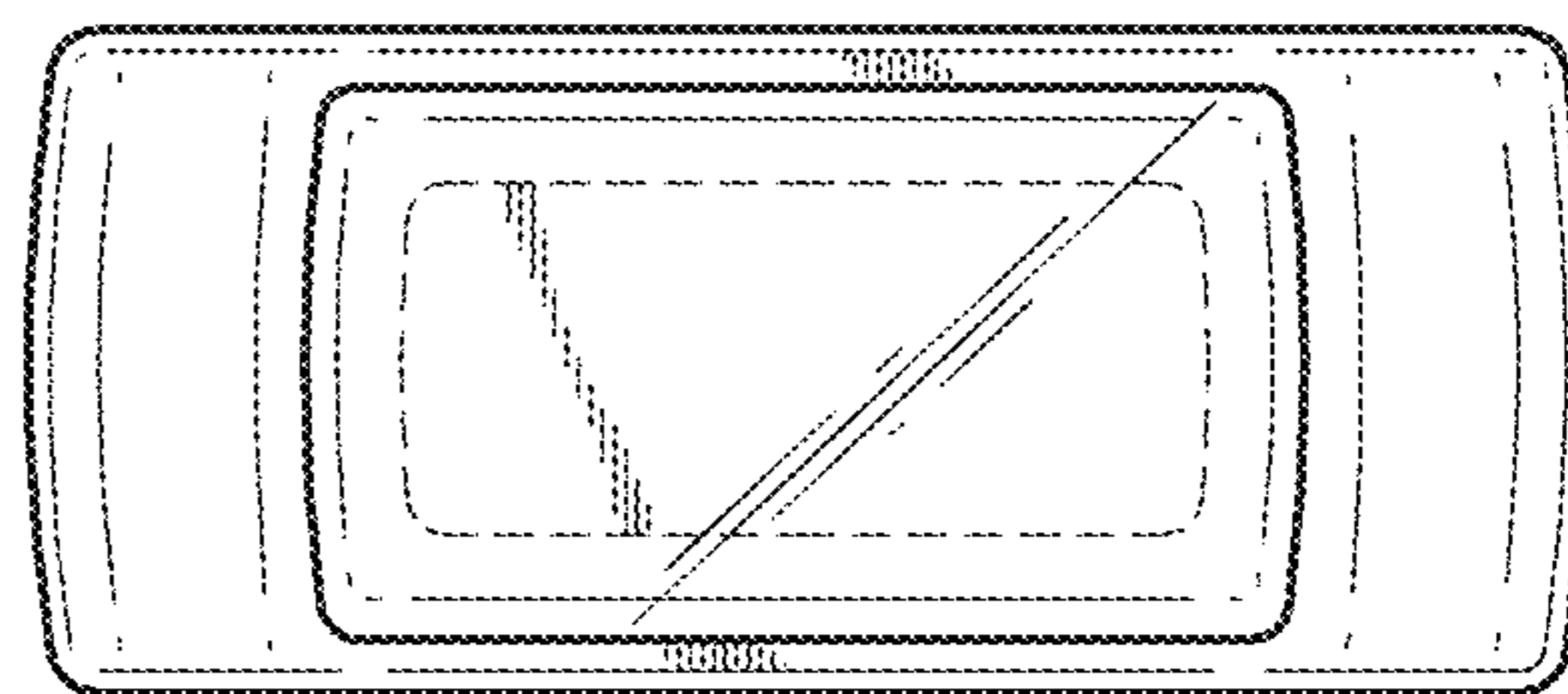


FIG. 6