



US00D904199S

(12) **United States Design Patent** (10) **Patent No.:** **US D904,199 S**
Valvis et al. (45) **Date of Patent:** **** Dec. 8, 2020**

(54) **BEVERAGE BOTTLE**

(71) Applicant: **CARPATHIAN SPRINGS SA,**
Suceava (RO)

(72) Inventors: **Jean Valvis,** Suceava (RO); **Silviu Calota,** Suceava (RO)

(**) Term: **15 Years**

(21) Appl. No.: **35/506,621**

(22) Filed: **Aug. 21, 2018**

(80) **Hague Agreement Data**

Int. Filing Date: **Aug. 21, 2018**

Int. Reg. No.: **DM/102708**

Int. Reg. Date: **Aug. 21, 2018**

Int. Reg. Pub. Date: **Feb. 22, 2019**

(30) **Foreign Application Priority Data**

Mar. 12, 2018 (JP) 2018-005105

Mar. 12, 2018 (JP) 2018-005106

(51) **LOC (12) Cl.** **09-01**

(52) **U.S. Cl.**
USPC **D9/559; D9/569; D9/573**

(58) **Field of Classification Search**
USPC D9/434, 435, 454, 544, 546, 559, 560,
D9/565-569, 571-574, 686, 687, 694,
D9/682

CPC ... B65D 1/00; B65D 1/02; B65D 1/12; B65D
1/14; B65D 1/40; B65D 1/44; B65D
1/023; B65D 1/0223; B65D 1/165; B65D
1/238; B65D 1/246; B65D 1/253; B65D
7/04; B65D 21/0209; B65D 21/0233;
B65D 25/00; B65D 25/28; B65D
41/0457; B65D 41/17; B65D 53/06;
B65D 75/56; B65D 79/005; B65D
2501/0036; B65D 2543/00064; B65D
2543/00074; B65D 2543/00083; B65D
2543/00092; B65D 2543/00101; B65D
2543/00111

See application file for complete search history.

(56) **References Cited**

U.S. PATENT DOCUMENTS

D103,987 S * 4/1937 Ennever D9/546

D264,438 S * 5/1982 Thompson D9/529

(Continued)

Primary Examiner — Keli L Hill

(57) **CLAIM**

The ornamental design for a beverage bottle, as shown and described.

DESCRIPTION

1.-2. Beverage bottle

1.1: Front

1.2: Back

1.3: Right

1.4: Left

1.5: Top

1.6: Bottom

1.7: Reference view

1.8: Cross-sectional

1.9: Cross-sectional

2.1: Front

2.2: Back

2.3: Right

2.4: Left

2.5: Top

2.6: Bottom

2.7: Reference view

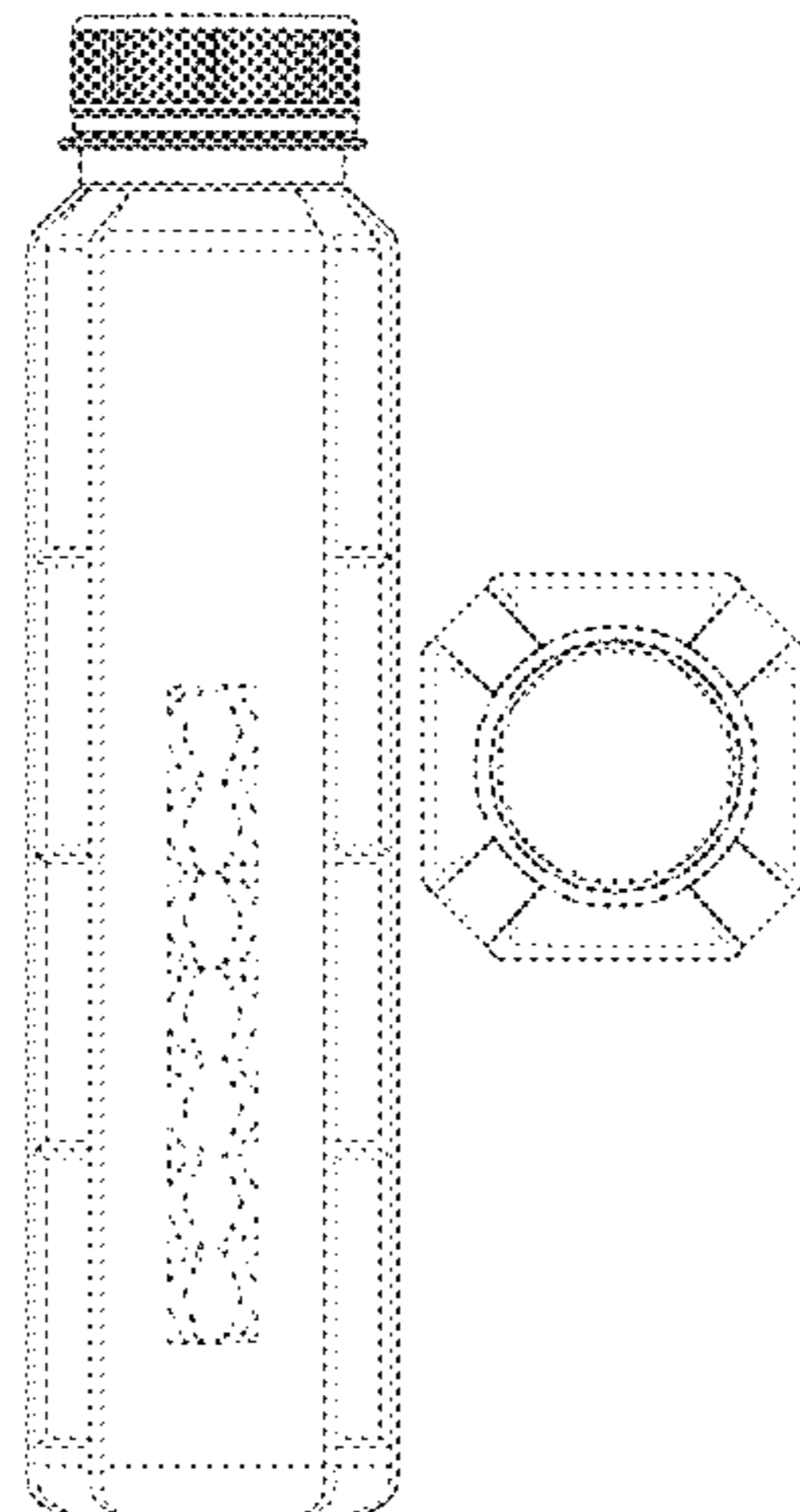
2.8: Cross-sectional

2.9: Cross-sectional

The broken lines illustrate structure or features form no part of the claimed design.

Reproductions Nos. 1.7 and 2.7 are reference views indicating the state without a cap; reproductions Nos. 1.8 and 2.8 are cross-sectional views cut vertically at the diagonal lines of the top views; reproductions Nos. 1.9 and 2.9 are cross-sectional views cut horizontally at the centers of the front views.

1 Claim, 18 Drawing Sheets



(56)

References Cited

U.S. PATENT DOCUMENTS

D359,237	S	*	6/1995	Nakamura	D9/560
D451,393	S	*	12/2001	Gerhart	D9/453
D653,553	S	*	2/2012	Sanghavi	D9/560
D655,612	S	*	3/2012	Oge-Nichols	D9/451
D660,169	S	*	5/2012	Potts	D9/544
D664,440	S	*	7/2012	Gonzalez Rodriguez	D9/544
D714,652	S	*	10/2014	Shaw	D9/544
D719,455	S	*	12/2014	Perez-Cabrera	D9/559
D752,444	S	*	3/2016	Schlies	D9/530
D756,234	S	*	5/2016	Orset	D9/560
D760,528	S	*	7/2016	Szekely	D9/563
D823,118	S	*	7/2018	Larminaux	D9/544
D839,743	S	*	2/2019	Herman	D9/516
D867,154	S	*	11/2019	Sanghavi	D9/560
D869,282	S	*	12/2019	Hawry	D9/541

* cited by examiner

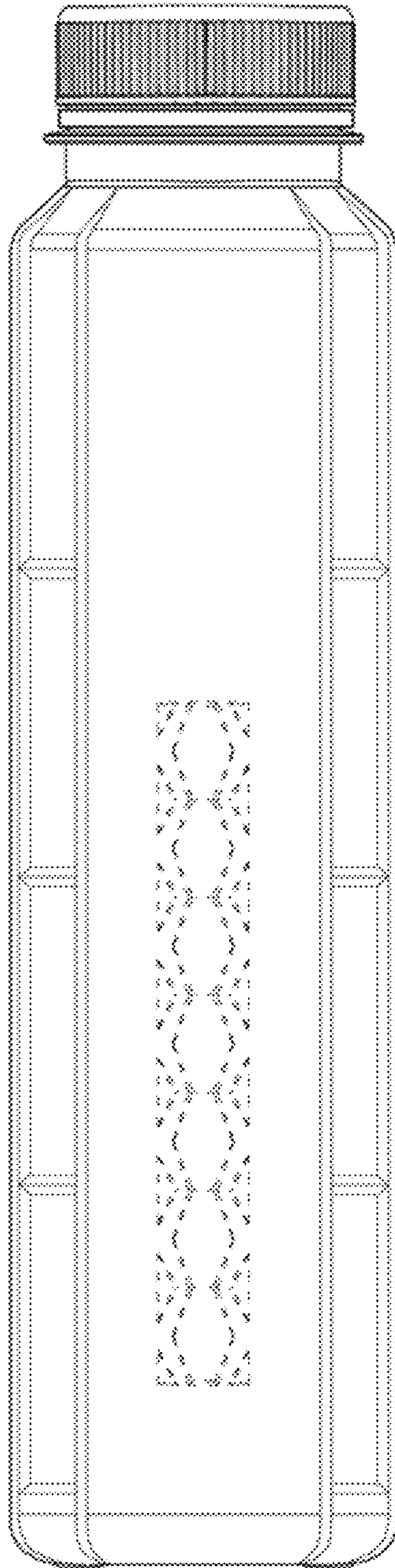


FIG. 1.1

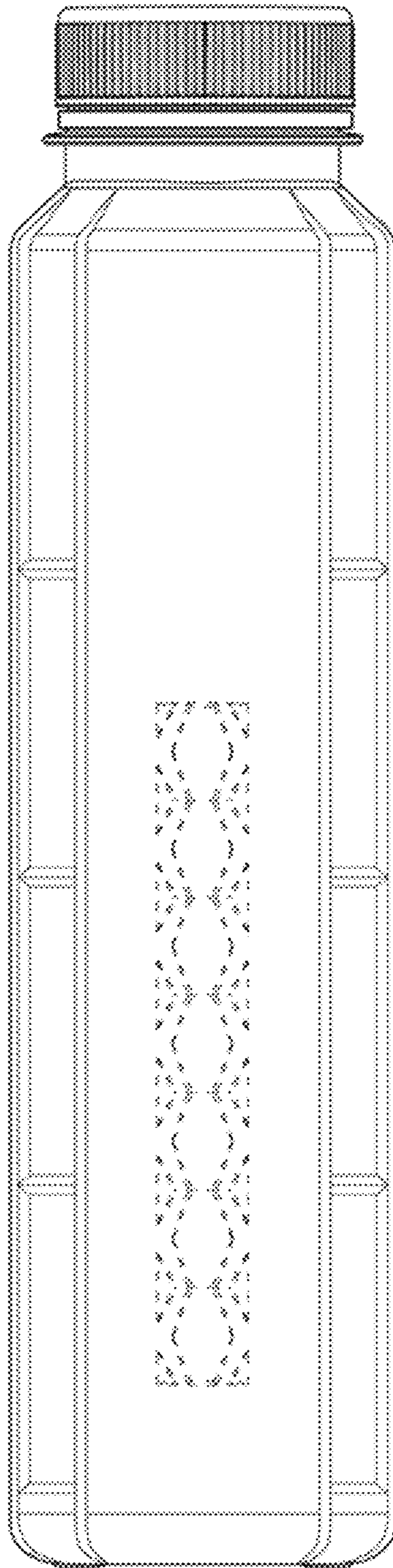


FIG. 1.2

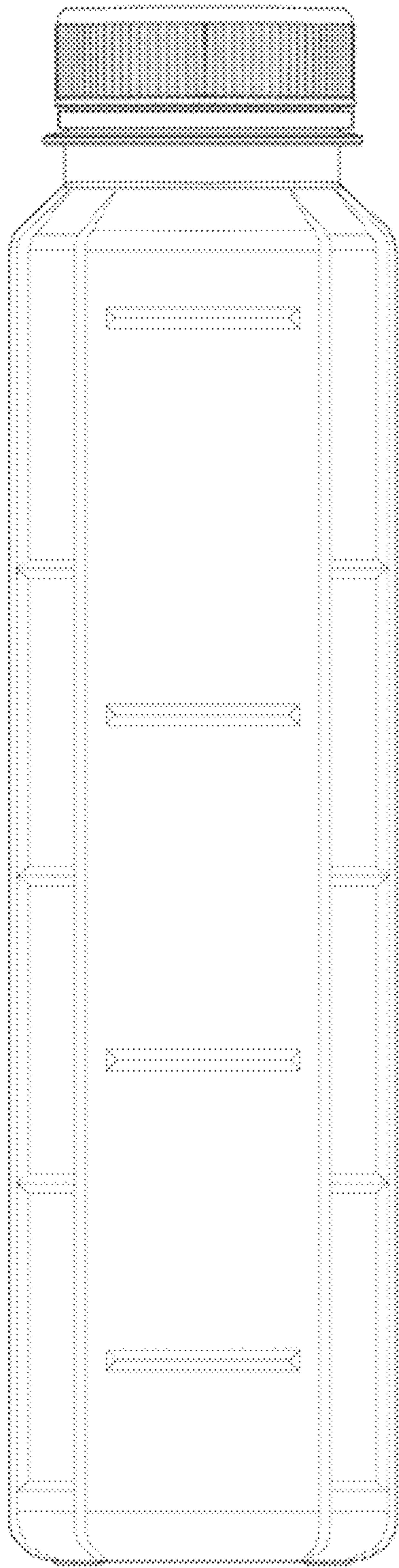


FIG. 1.3

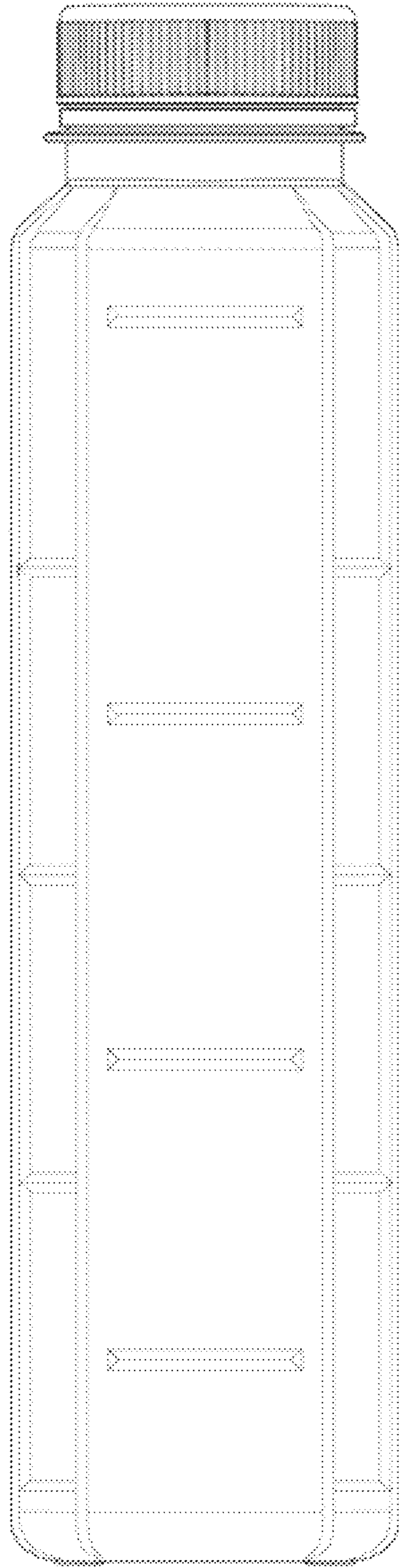


FIG. 1.4

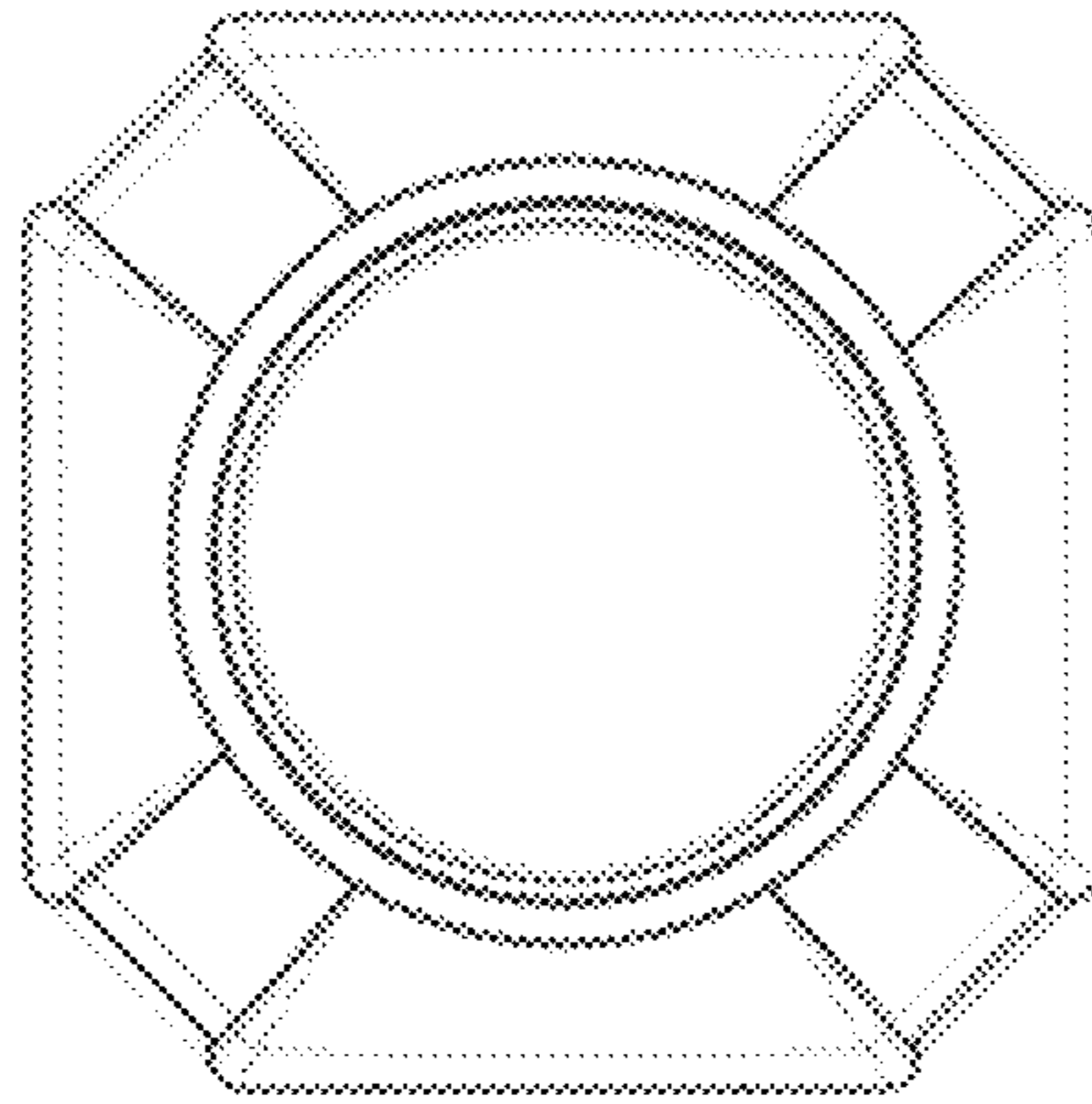


FIG. 1.5

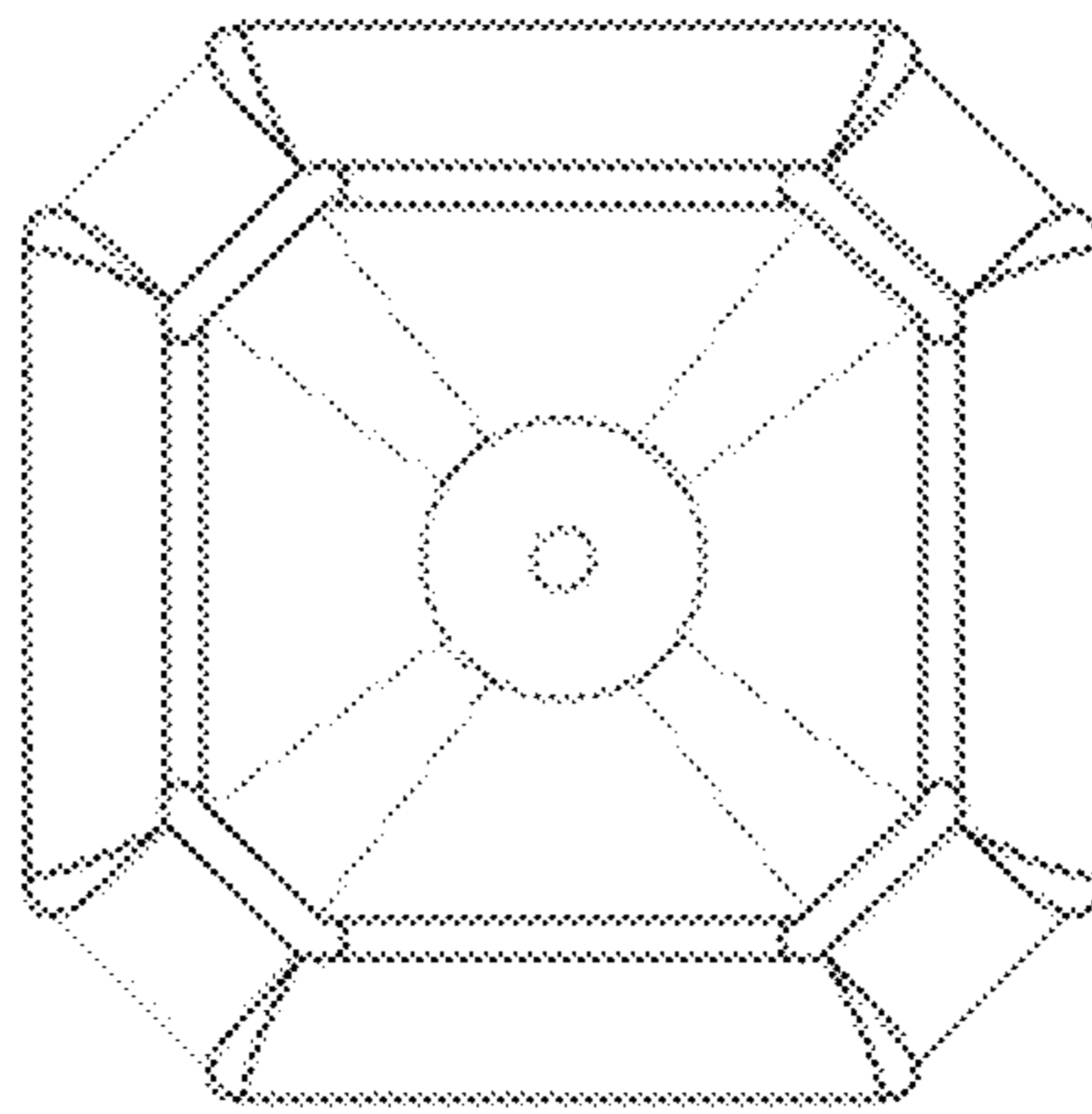


FIG. 1.6

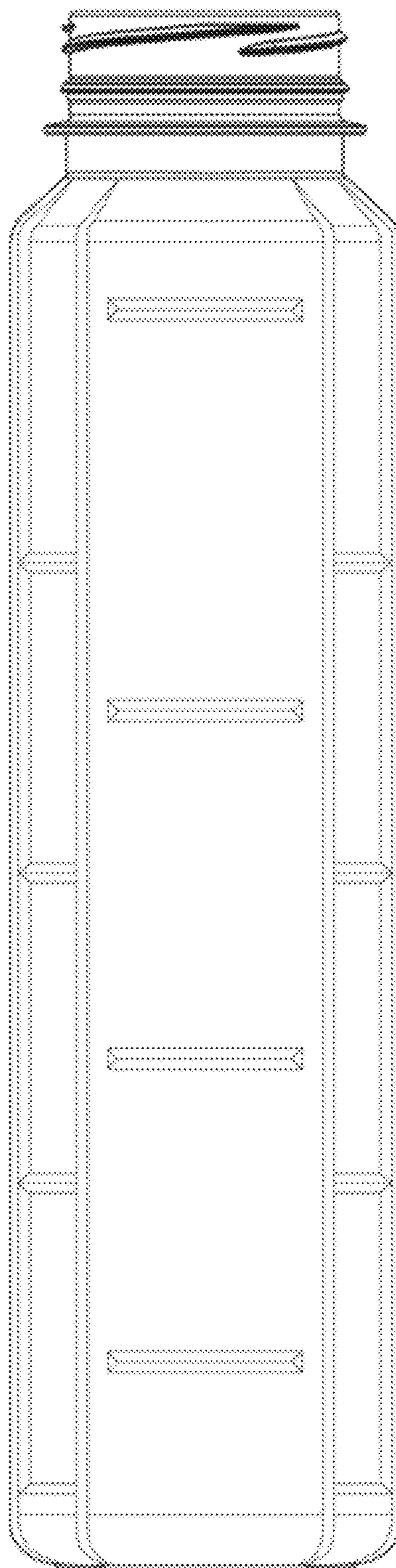


FIG. 1.7

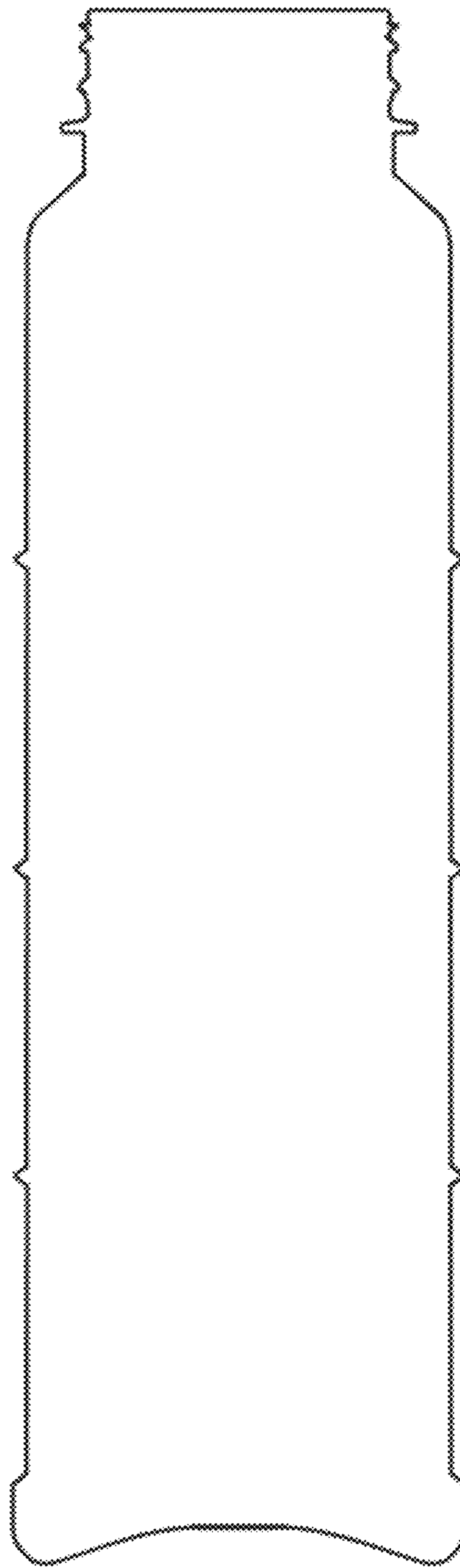


FIG. 1.8

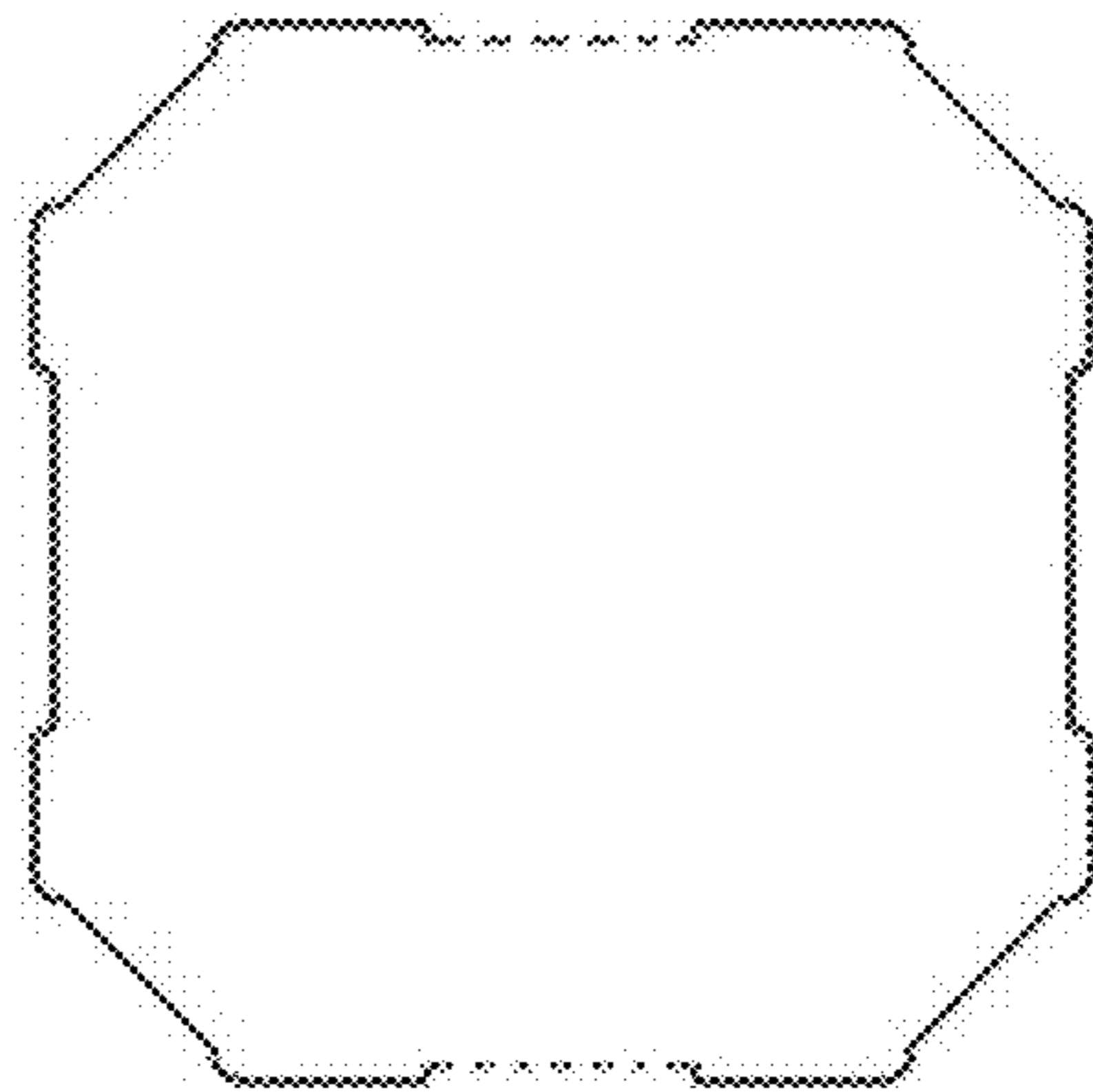


FIG. 1.9

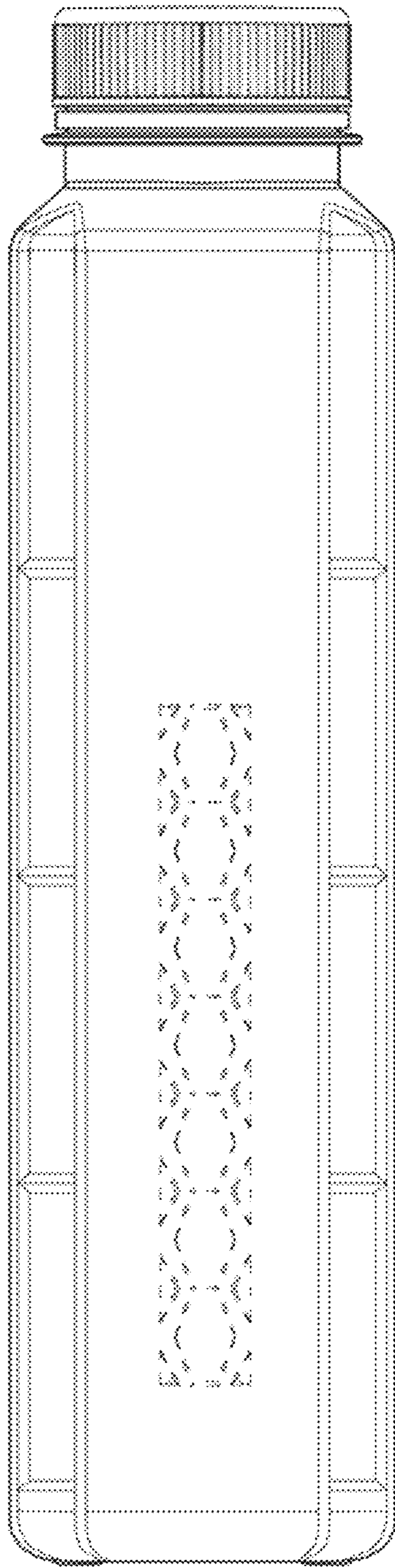


FIG. 2.1

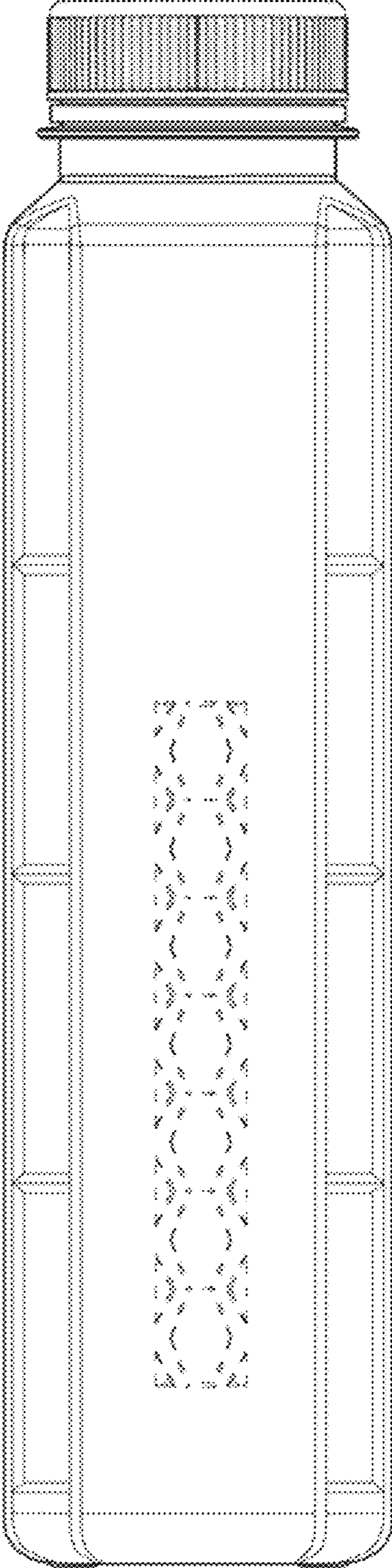


FIG. 2.2

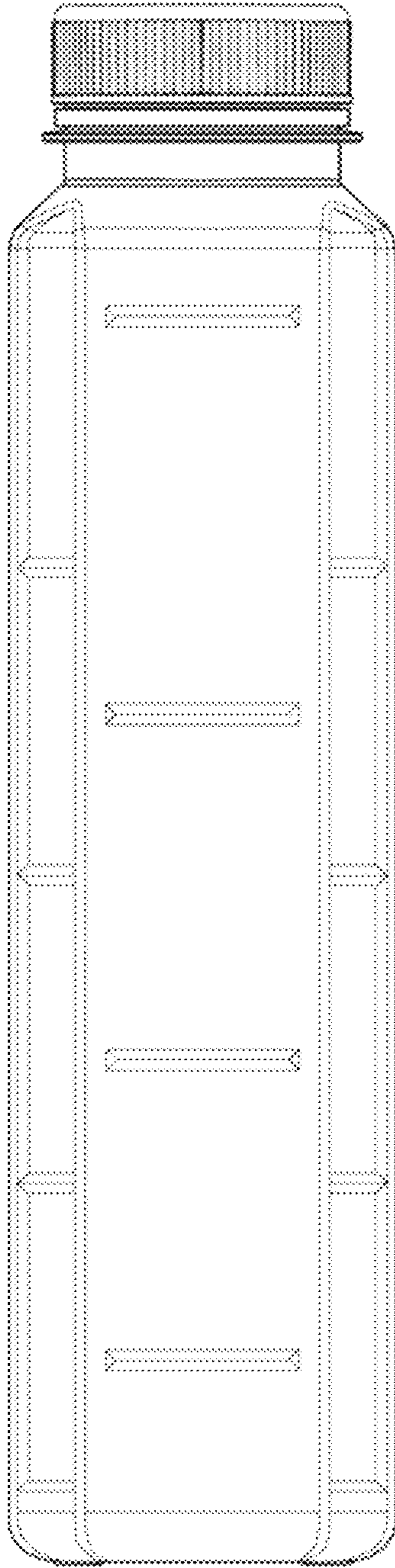


FIG. 2.3

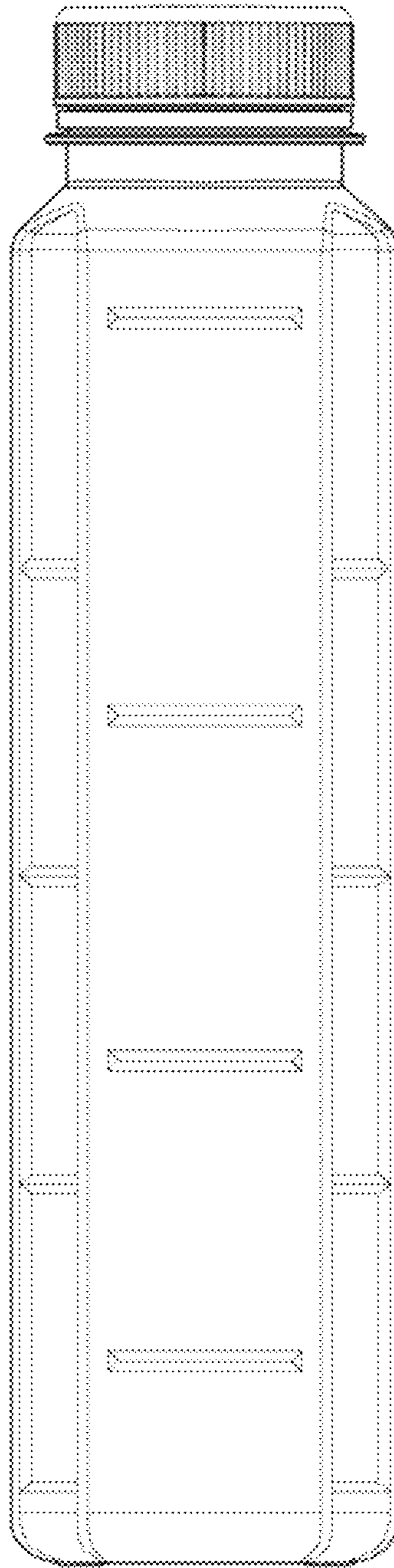


FIG. 2.4

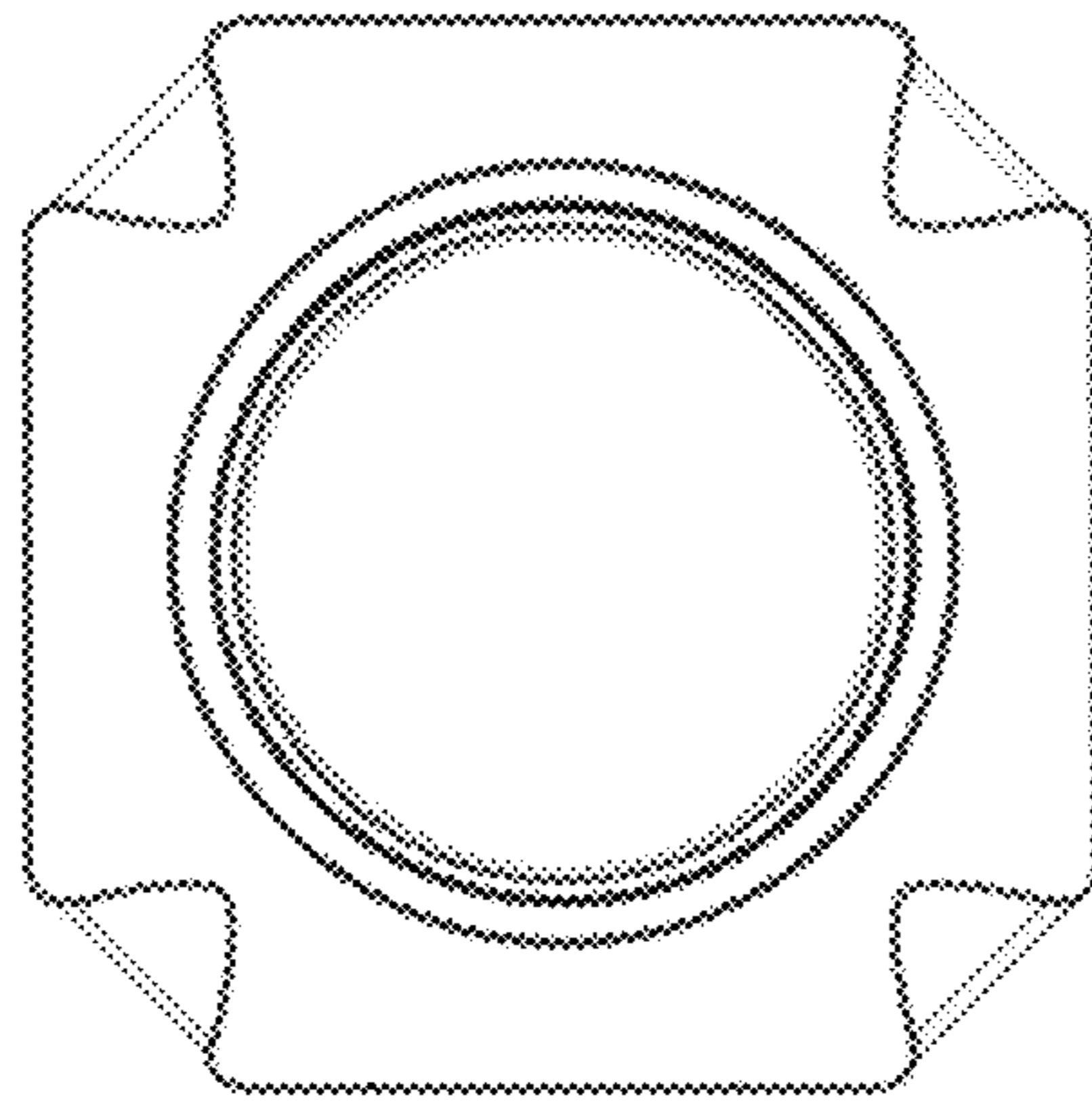


FIG. 2.5

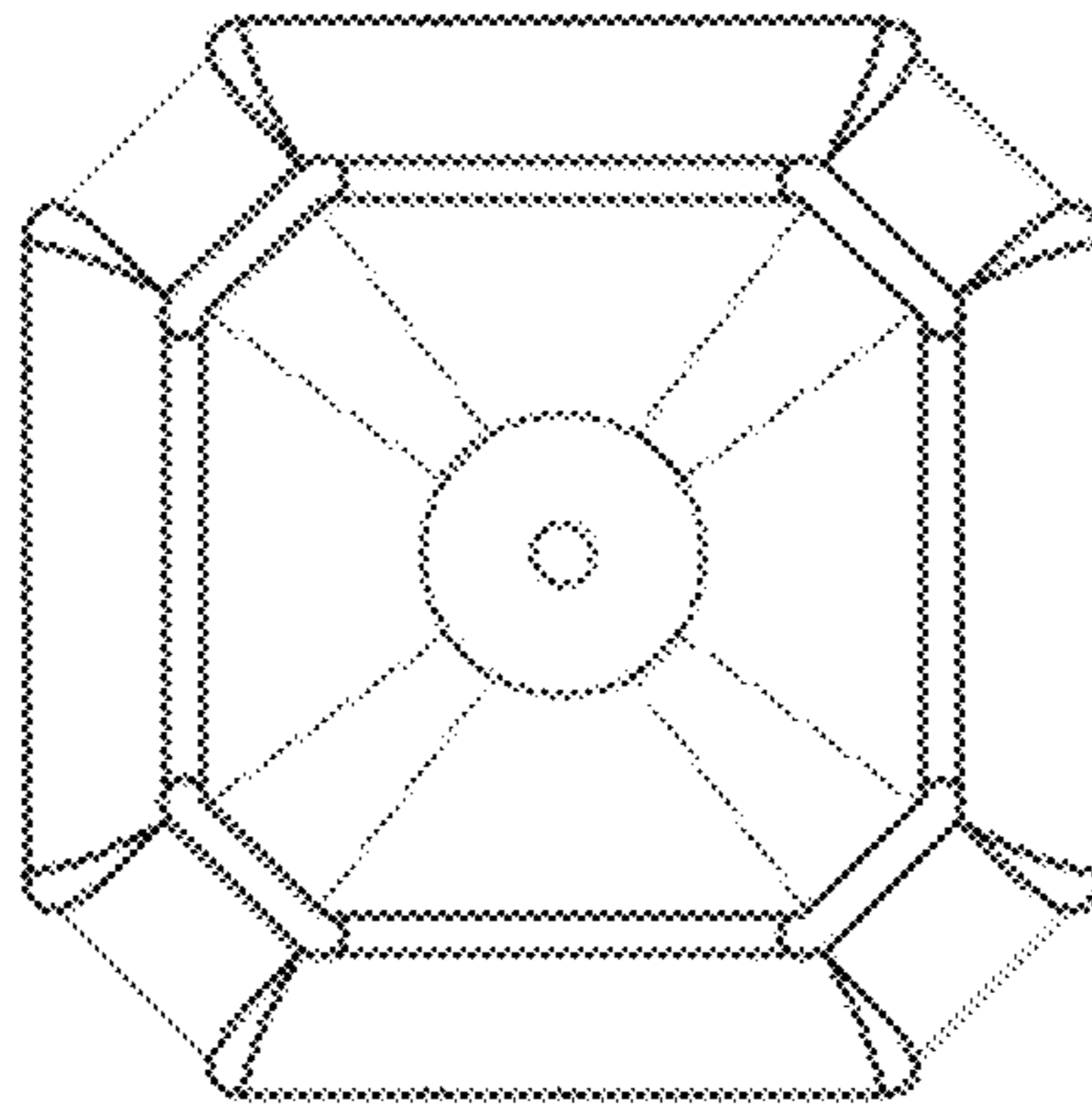


FIG. 2.6

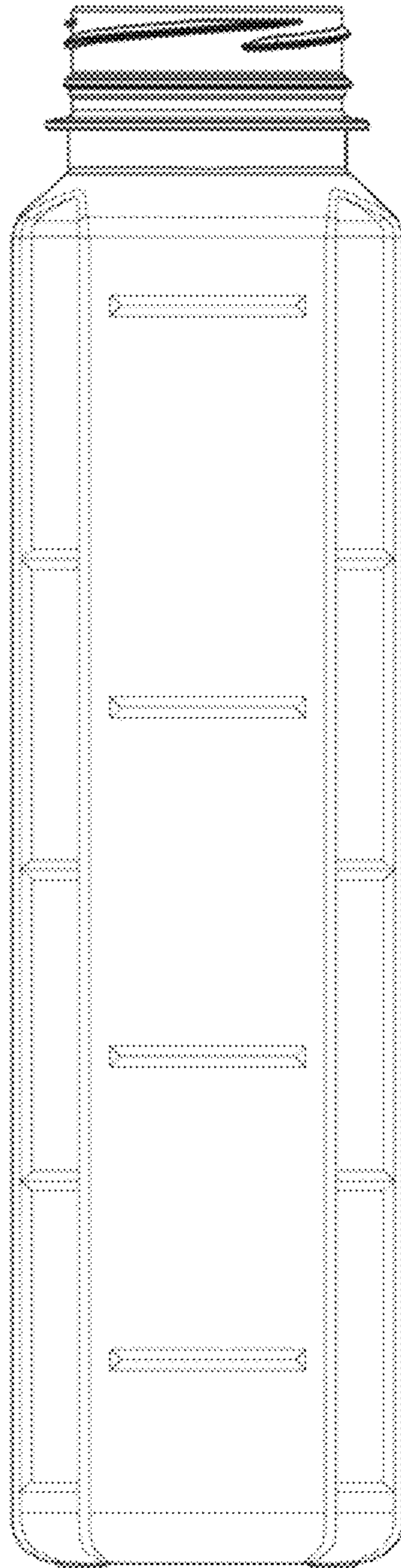


FIG. 2.7

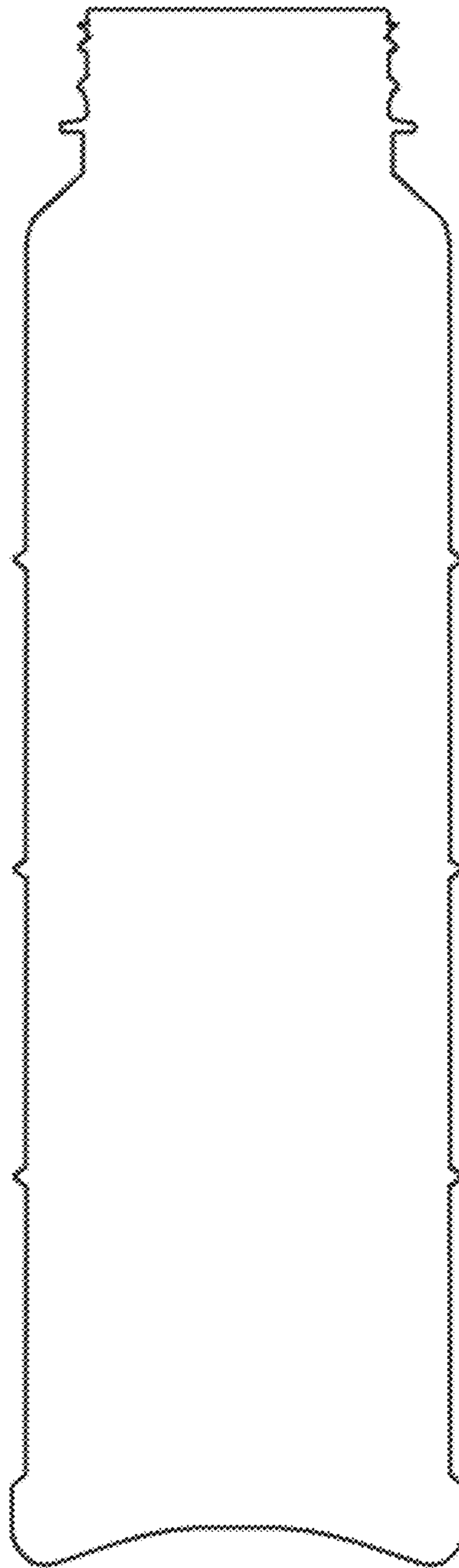


FIG. 2.8

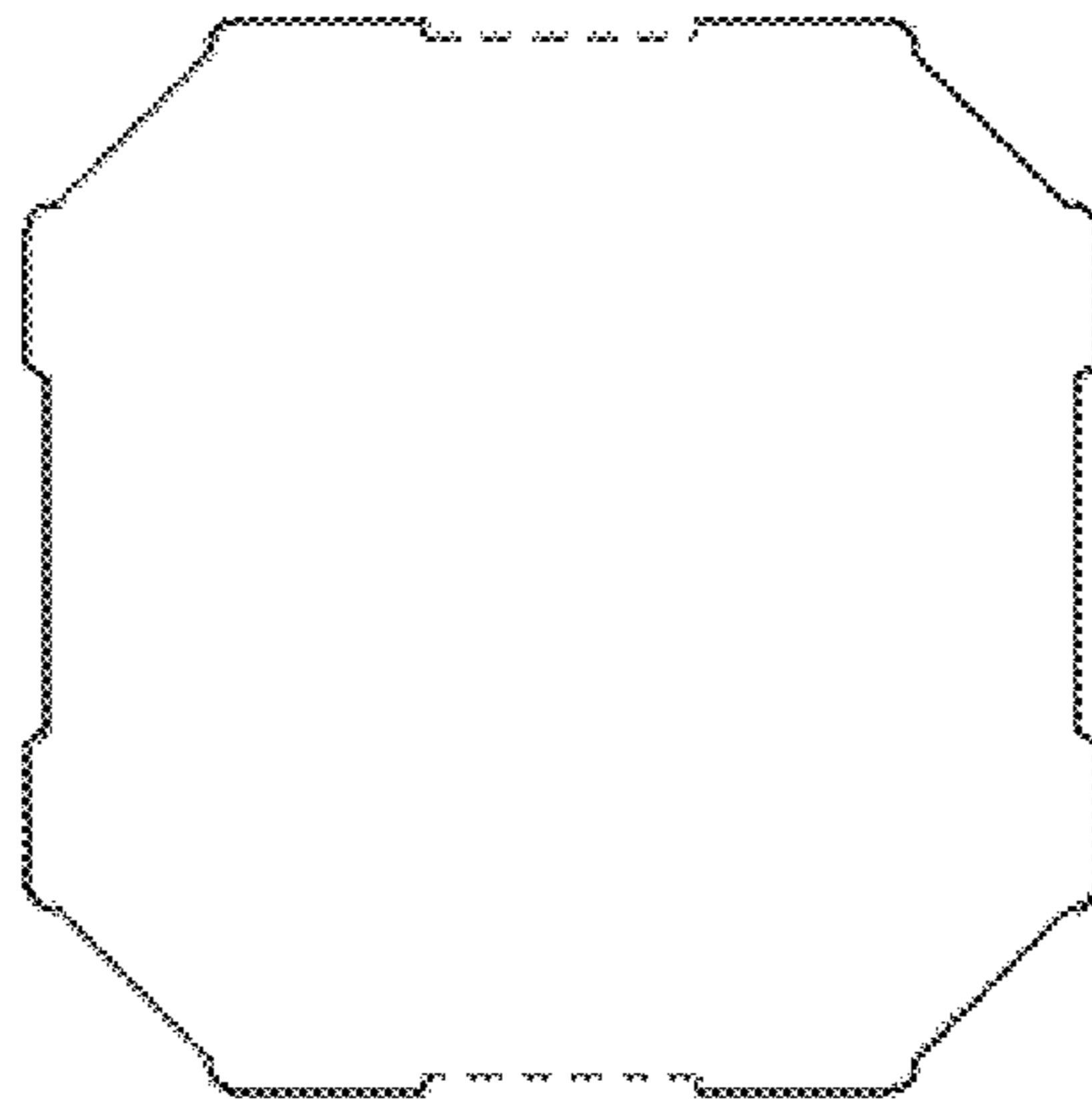


FIG. 2.9