



US00D904198S

(12) **United States Design Patent**
Sanghavi

(10) **Patent No.:** **US D904,198 S**

(45) **Date of Patent:** **** Dec. 8, 2020**

(54) **BOTTLE**

(71) Applicant: **Pramit Sanghavi**, New Delhi (IN)

(72) Inventor: **Pramit Sanghavi**, New Delhi (IN)

(73) Assignee: **Pramit Sanghavi**, New Delhi (IN)

(**) Term: **15 Years**

(21) Appl. No.: **29/653,290**

(22) Filed: **Jun. 14, 2018**

(30) **Foreign Application Priority Data**

May 24, 2018 (IN) 305946

(51) **LOC (12) Cl.** **09-01**

(52) **U.S. Cl.**
USPC **D9/540**; D9/445; D9/454; D9/520;
D9/529; D9/551

(58) **Field of Classification Search**

USPC D9/434-435, 444-445, 454, 500,
D9/503-504, 516, 520, 522, 529, 530,
D9/537-540, 549, 551, 558, 575, 715,
D9/719; D7/509-511, 608

CPC B65D 1/00; B65D 1/02; B65D 1/0215;
B65D 1/0223; B65D 1/0261; B65D
1/0284; B65D 2101/00; B65D 2501/00;
B65D 2501/0009; A45F 3/16; A45F 3/18;
A47G 19/22; A47G 19/2205; A47G
19/2288

See application file for complete search history.

(56) **References Cited**

U.S. PATENT DOCUMENTS

D221,133 S * 7/1971 Wikke D9/529
D356,248 S * 3/1995 Wilkinson D9/690

D398,479 S * 9/1998 Vultaggio D7/511
D422,220 S * 4/2000 Feen D9/542
D429,648 S * 8/2000 Goettner D9/540
D458,846 S * 6/2002 Writt, Sr. D9/517
D501,362 S * 2/2005 Gauss D7/509
D539,657 S * 4/2007 Webb D9/539
D567,094 S * 4/2008 Bickert D9/529
D627,604 S * 11/2010 Eyal D7/510
D661,194 S * 6/2012 Gardela D9/516
D744,781 S * 12/2015 Rummel D7/511
D758,195 S * 6/2016 Braz D9/504
9,516,974 B2 * 12/2016 Herling A47J 31/18
D787,885 S * 5/2017 Rummel D7/510
D789,149 S * 6/2017 Rummel D7/510
D798,665 S * 10/2017 Rummel D7/510
D799,899 S * 10/2017 Rummel D7/510
D806,475 S * 1/2018 Pisarevsky D7/507
D813,678 S * 3/2018 Kalagher D9/504

* cited by examiner

Primary Examiner — Dana Meyrow

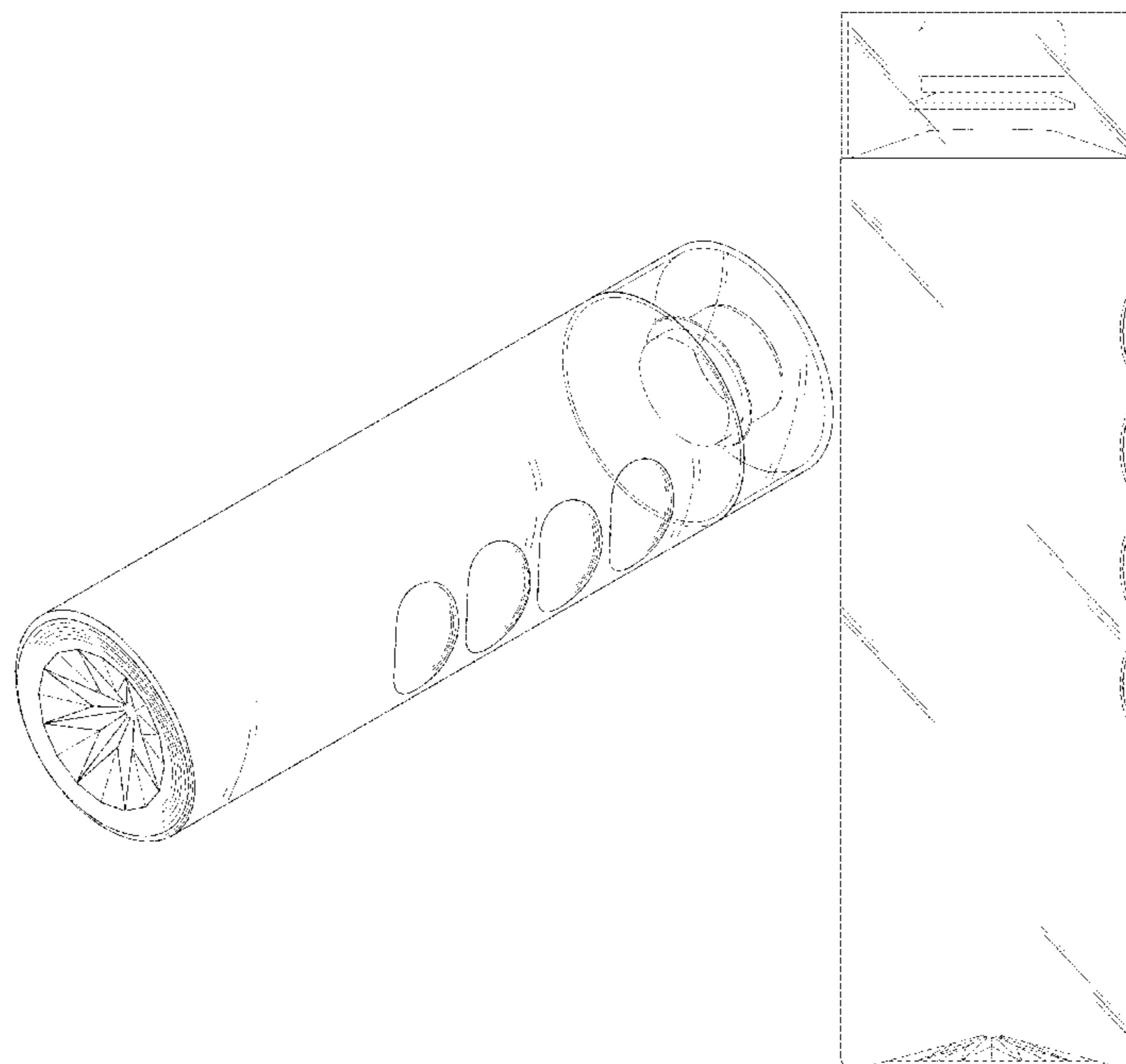
(57) **CLAIM**

I claim the ornamental design for a bottle, as shown and described.

DESCRIPTION

FIG. 1 is a bottom perspective view of a bottle showing my new design;
FIG. 2 is a left side elevation view thereof;
FIG. 3 is a right side elevation view thereof;
FIG. 4 is a top plan view thereof;
FIG. 5 is a bottom plan view thereof;
FIG. 6 is a rear elevation view thereof; and,
FIG. 7 is a front elevation view thereof.

1 Claim, 7 Drawing Sheets



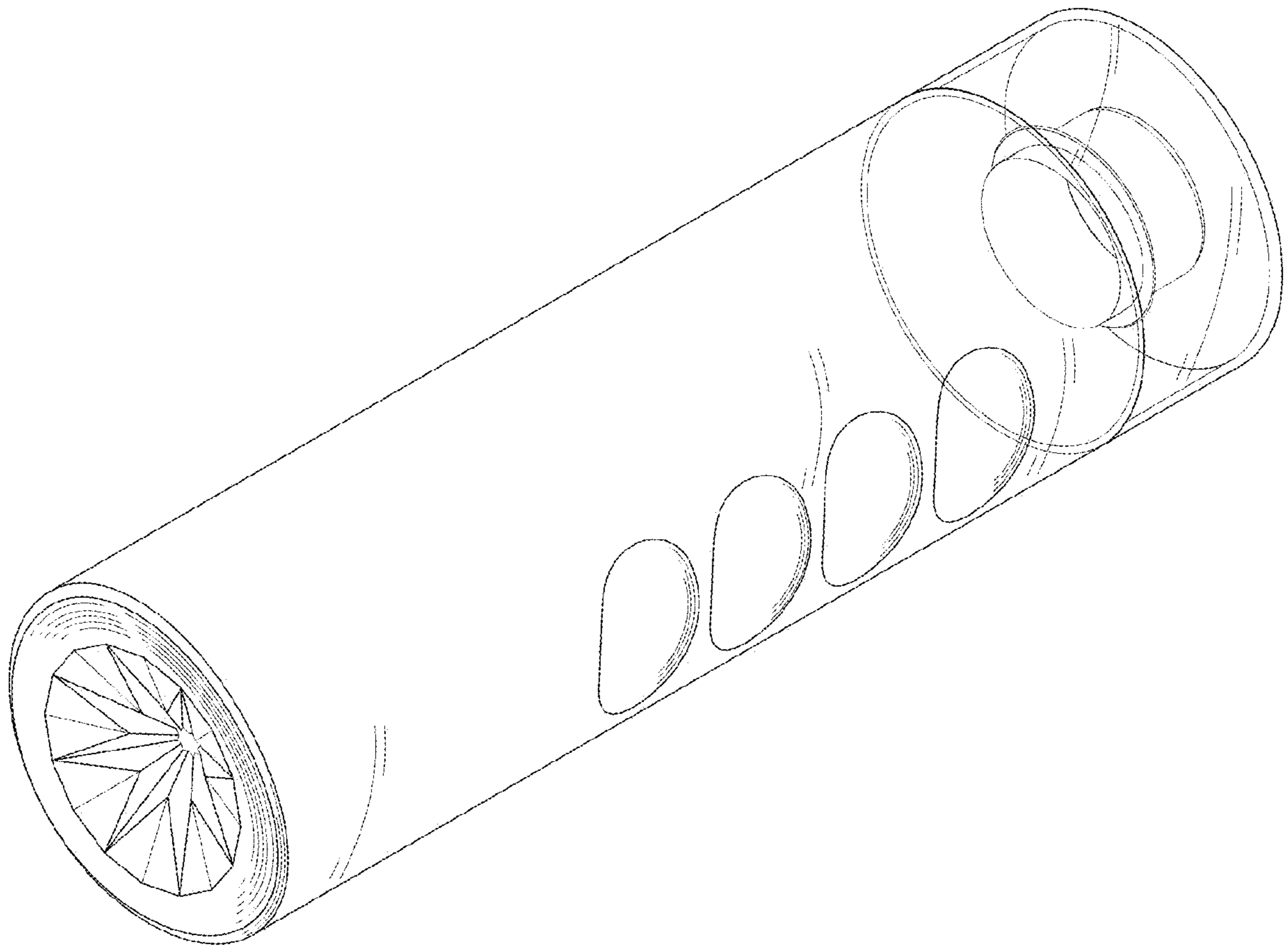


FIG. 1

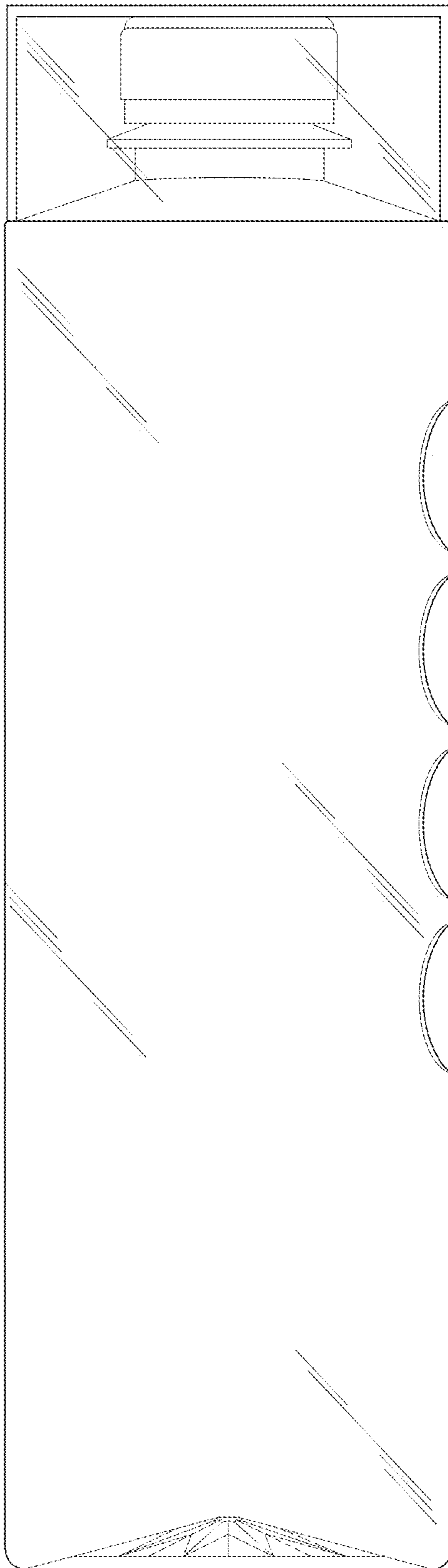


FIG. 2

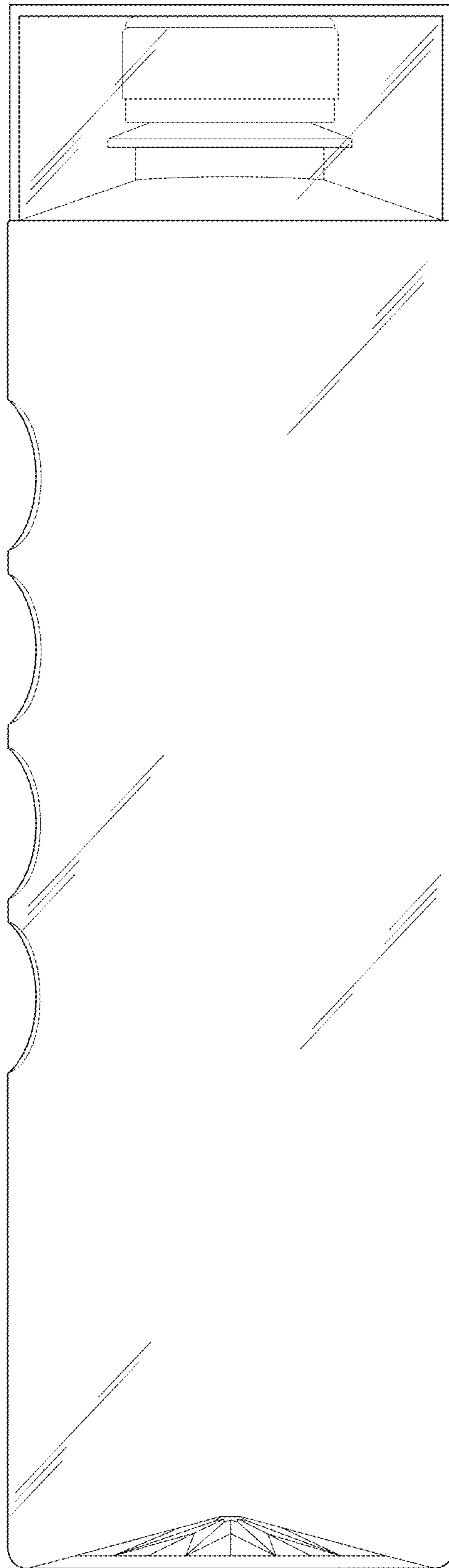


FIG. 3

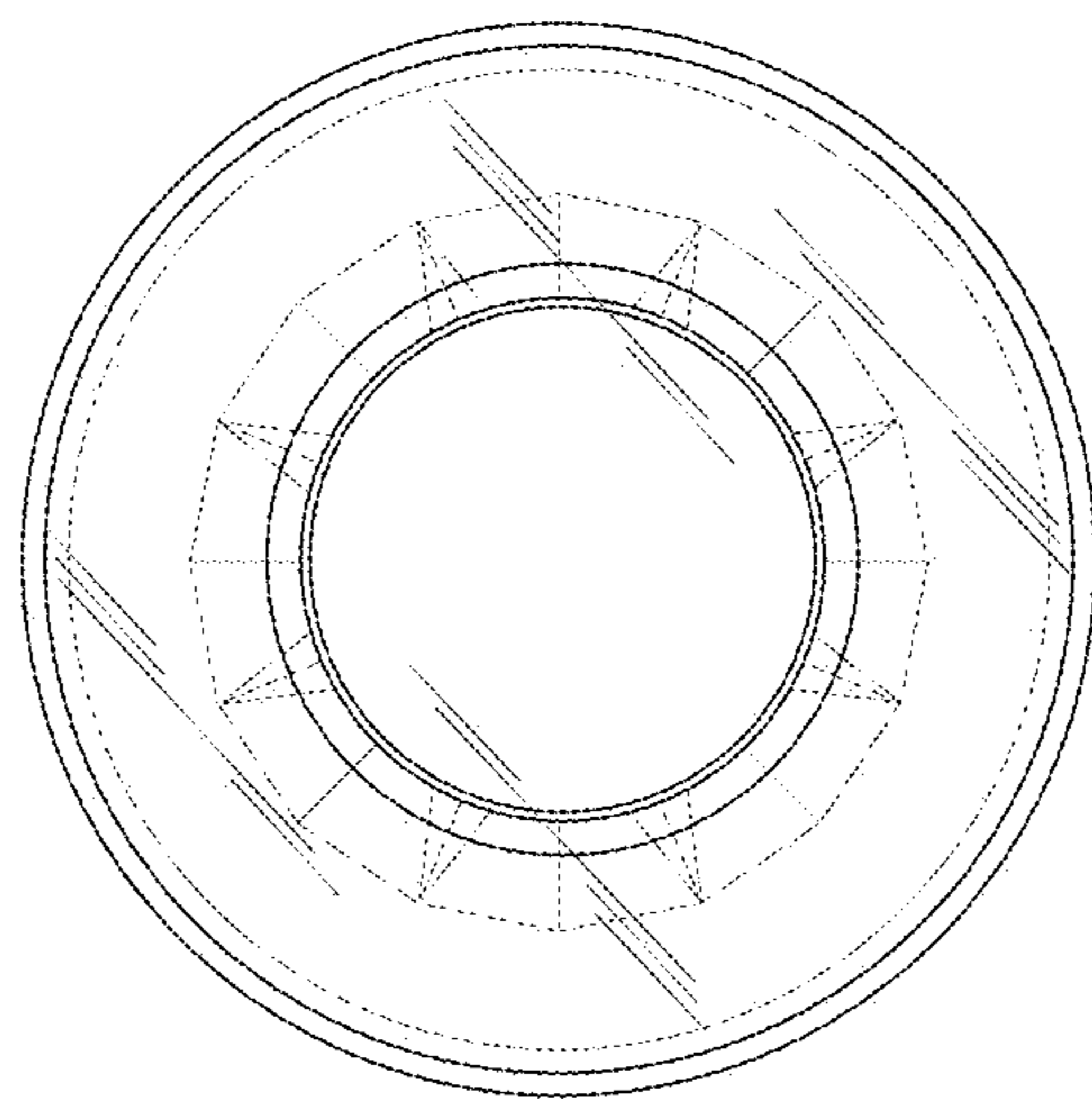


FIG. 4

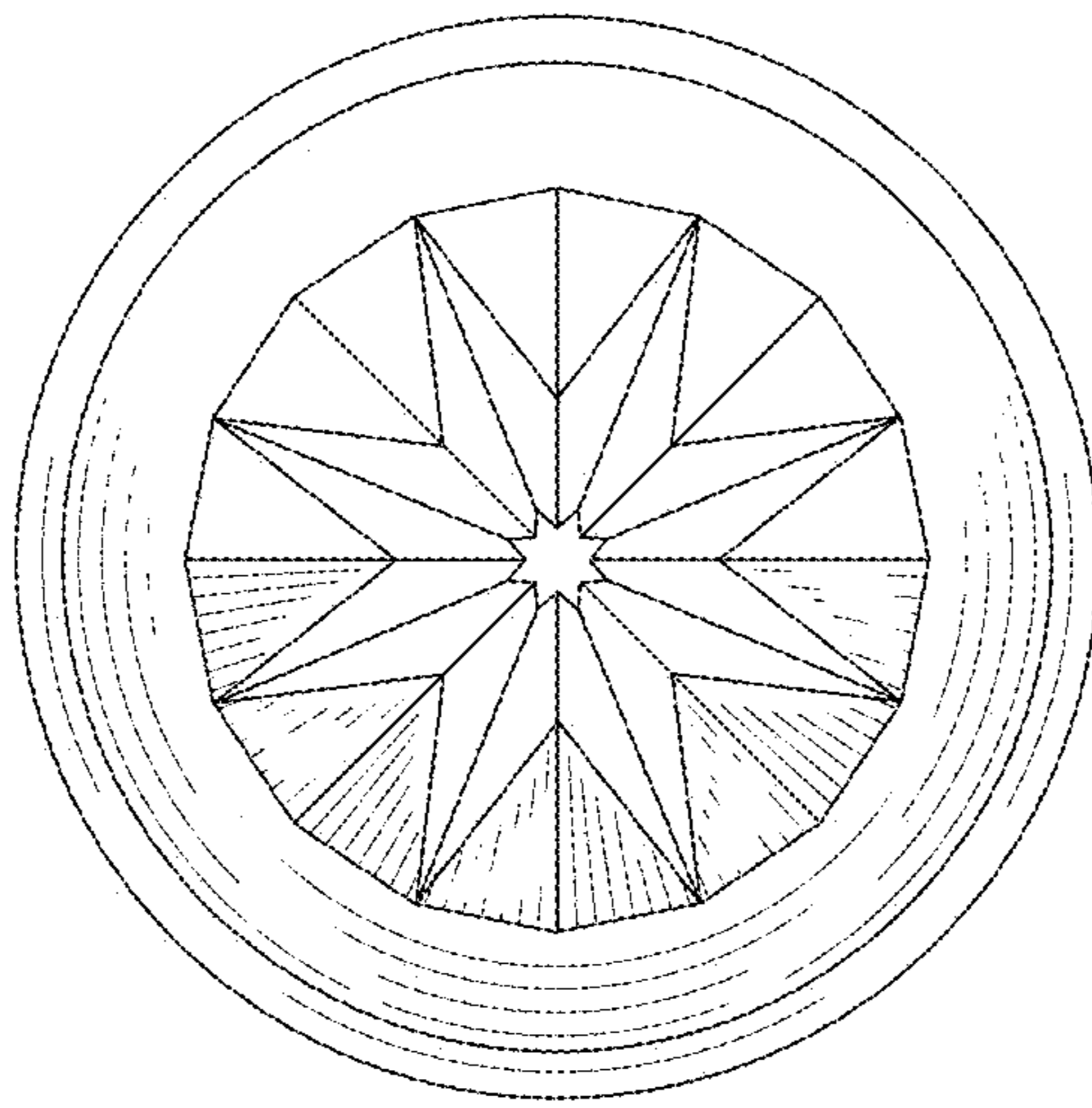


FIG. 5

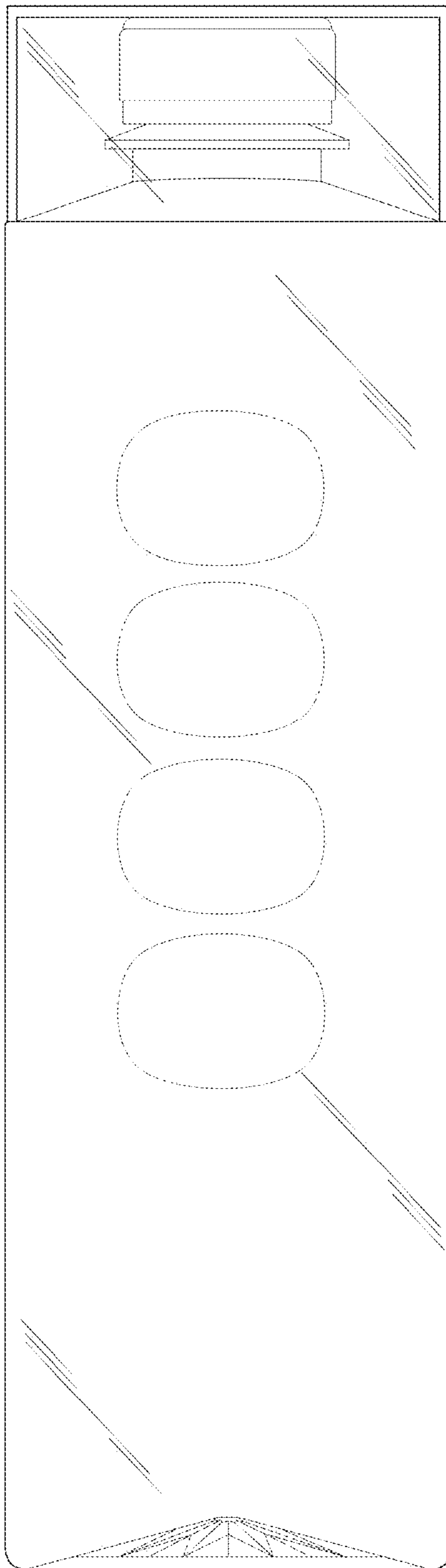


FIG. 6

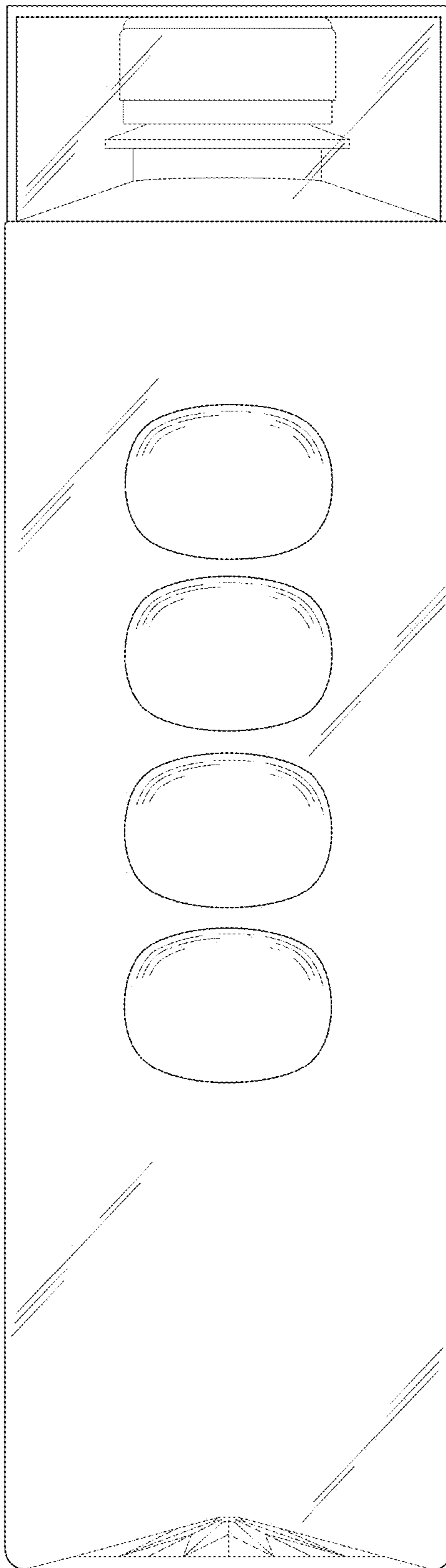


FIG. 7