



US00D904197S

(12) **United States Design Patent**  
**Sanghavi**

(10) **Patent No.:** **US D904,197 S**

(45) **Date of Patent:** **\*\* Dec. 8, 2020**

(54) **BOTTLE WITH TAMPER EVIDENT CAP**

(71) Applicant: **Pramit Sanghavi**, New Delhi (IN)

(72) Inventor: **Pramit Sanghavi**, New Delhi (IN)

(73) Assignee: **Pramit Sanghavi**, New Delhi (IN)

(\*\*) Term: **15 Years**

(21) Appl. No.: **29/650,821**

(22) Filed: **Jun. 11, 2018**

(30) **Foreign Application Priority Data**

Feb. 23, 2018 (IN) ..... 302878

(51) **LOC (12) Cl.** ..... **09-01**

(52) **U.S. Cl.**  
USPC ..... **D9/540; D9/445; D9/454; D9/520;**  
**D9/529; D9/551**

(58) **Field of Classification Search**

USPC ..... D9/434-435, 444-445, 454, 500,  
D9/503-504, 516, 520, 522, 529, 530,  
D9/537-540, 549, 551, 558, 575, 715,  
D9/719; D7/509-511, 608  
CPC ..... B65D 1/00; B65D 1/02; B65D 1/0215;  
B65D 1/0223; B65D 1/0261; B65D  
1/0284; B65D 2101/00; B65D 2501/00;  
B65D 2501/0009; A45F 3/16; A45F 3/18;  
A47G 19/22; A47G 19/2205; A47G  
19/2288

See application file for complete search history.

(56) **References Cited**

**U.S. PATENT DOCUMENTS**

D223,438 S \* 4/1972 Lluch ..... D9/539  
D337,939 S \* 8/1993 Smith, Jr. .... D9/529

D561,035 S \* 2/2008 Leslie ..... D9/537  
D567,094 S \* 4/2008 Bickert ..... D9/529  
D578,394 S \* 10/2008 Shurtleff ..... D9/516  
D627,604 S \* 11/2010 Eyal ..... D7/510  
D707,128 S \* 6/2014 Fedewa ..... D9/539  
D744,781 S \* 12/2015 Rummel ..... D7/511  
D758,195 S \* 6/2016 Braz ..... D9/504  
D760,090 S \* 6/2016 Braz ..... D9/688  
9,516,974 B2 \* 12/2016 Herling ..... A47J 31/18  
D781,153 S \* 3/2017 Blake ..... D9/529  
D787,885 S \* 5/2017 Rummel ..... D7/510  
D789,149 S \* 6/2017 Rummel ..... D7/510  
D793,165 S \* 8/2017 Rummel ..... D7/510  
D795,012 S \* 8/2017 Rummel ..... D7/510  
D798,665 S \* 10/2017 Rummel ..... D7/510  
D799,899 S \* 10/2017 Rummel ..... D7/510  
D800,501 S \* 10/2017 Rummel ..... D7/509  
D806,475 S \* 1/2018 Pisarevsky ..... D7/507  
D813,678 S \* 3/2018 Kalagher ..... D9/504

\* cited by examiner

*Primary Examiner* — Dana Meyrow

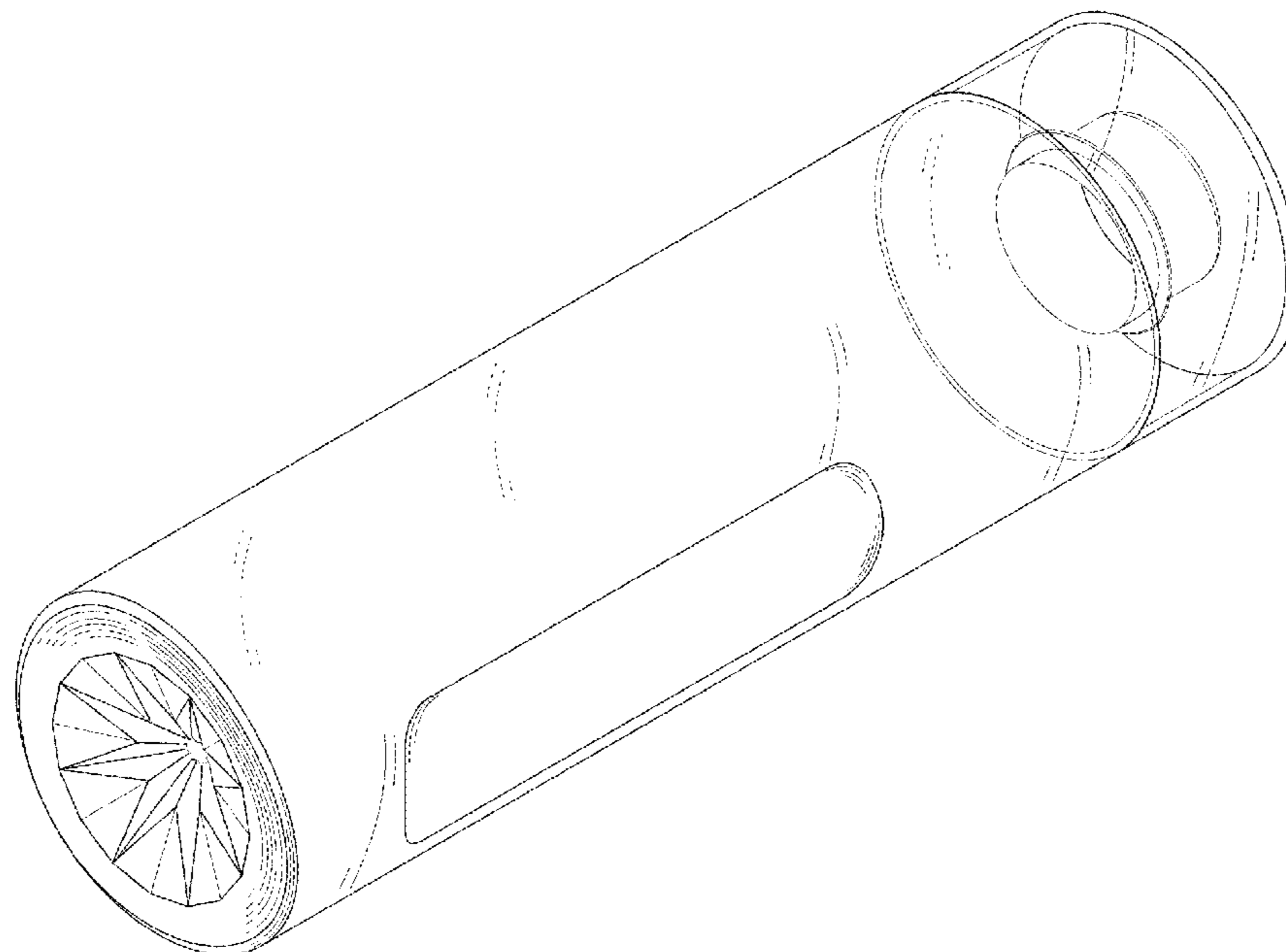
(57) **CLAIM**

The ornamental design for a bottle with tamper evident cap, as shown and described.

**DESCRIPTION**

FIG. 1 is a perspective view of a bottle with tamper evident cap showing my new design;  
FIG. 2 is a front view thereof;  
FIG. 3 is a rear view thereof;  
FIG. 4 is a top view thereof;  
FIG. 5 is a bottom view thereof;  
FIG. 6 is a left side view thereof; and,  
FIG. 7 is a right side view thereof.

**1 Claim, 7 Drawing Sheets**



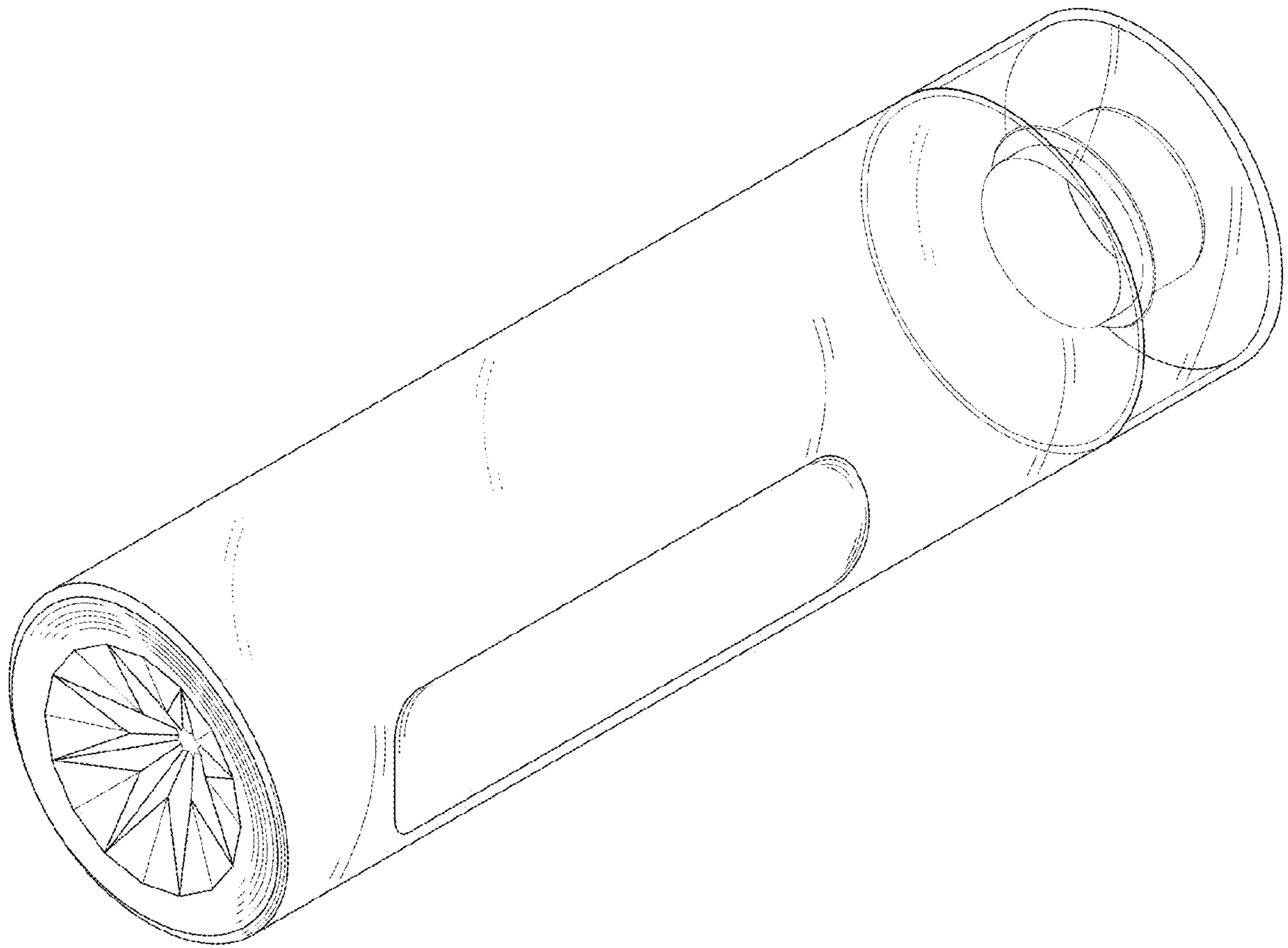


FIG. 1

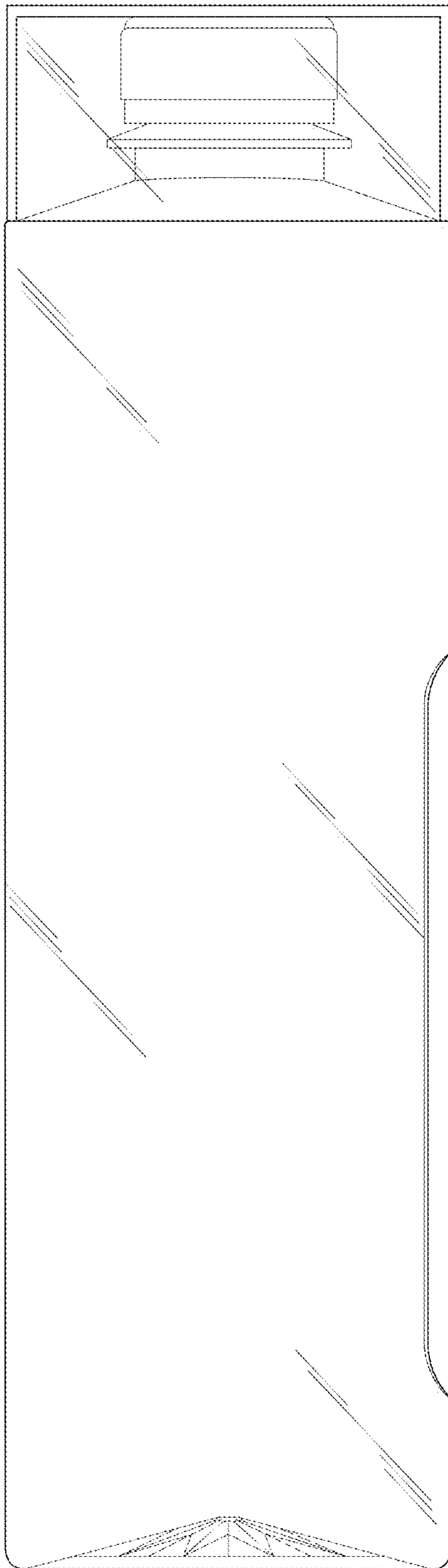


FIG. 2

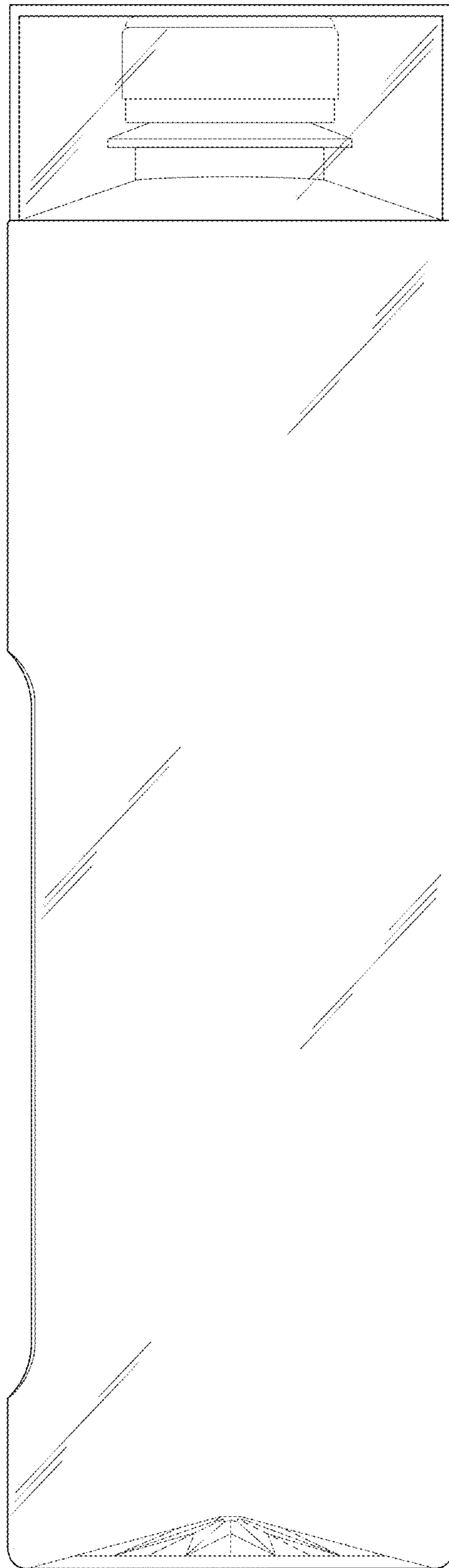


FIG. 3

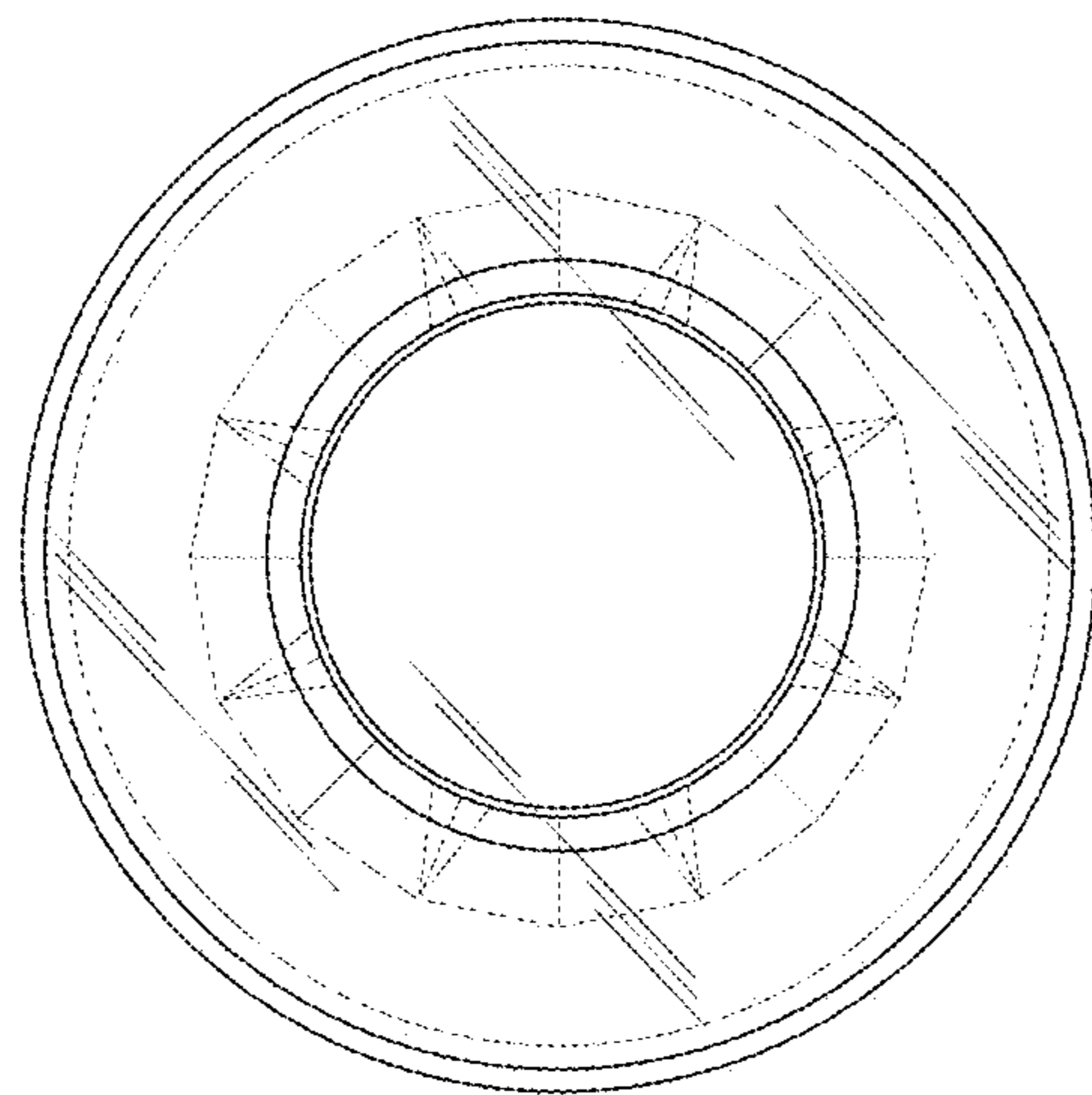


FIG. 4

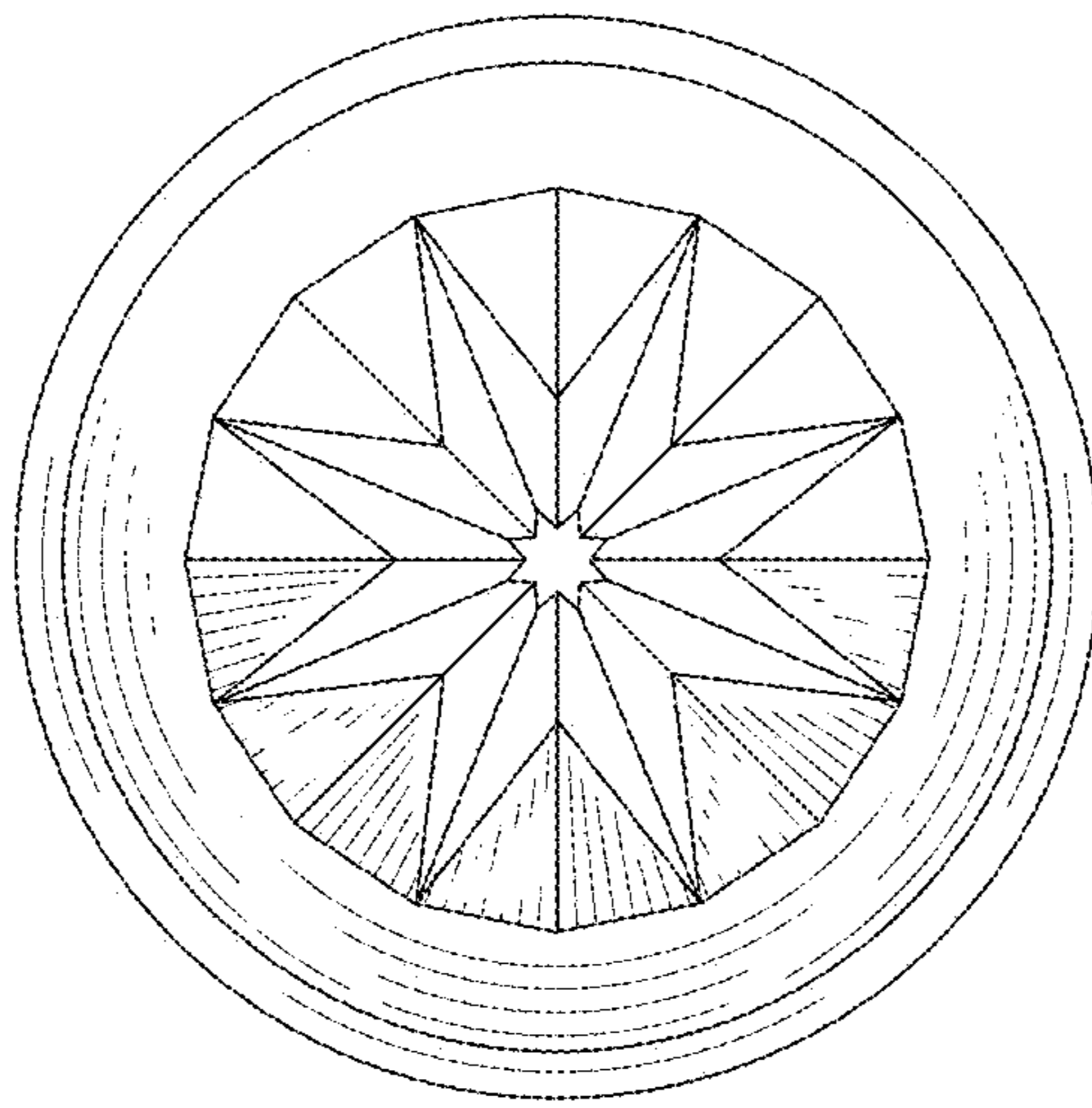


FIG. 5

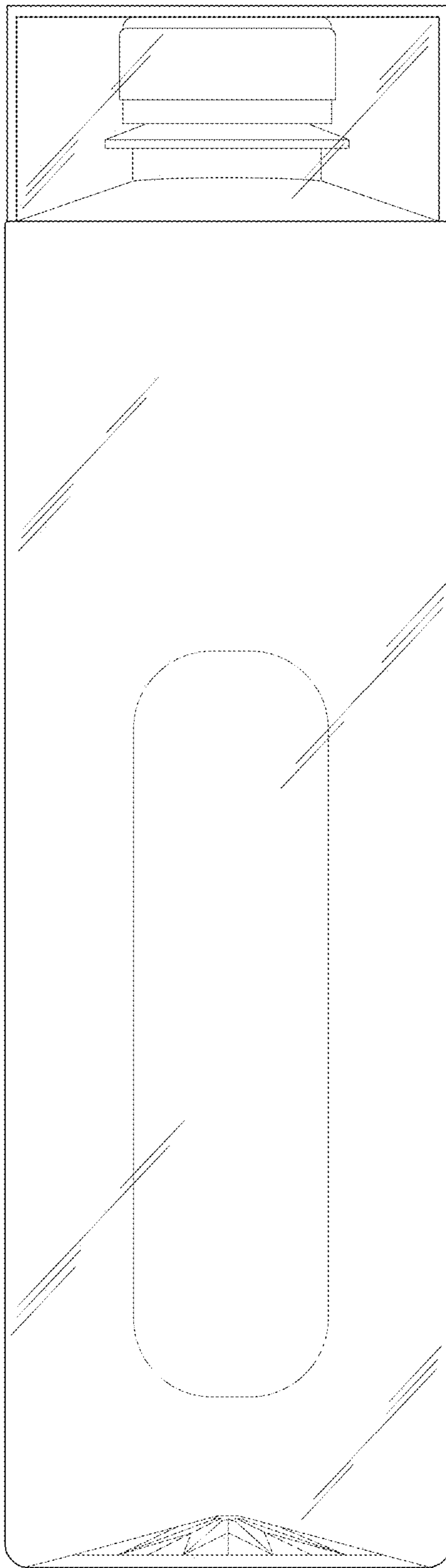


FIG. 6

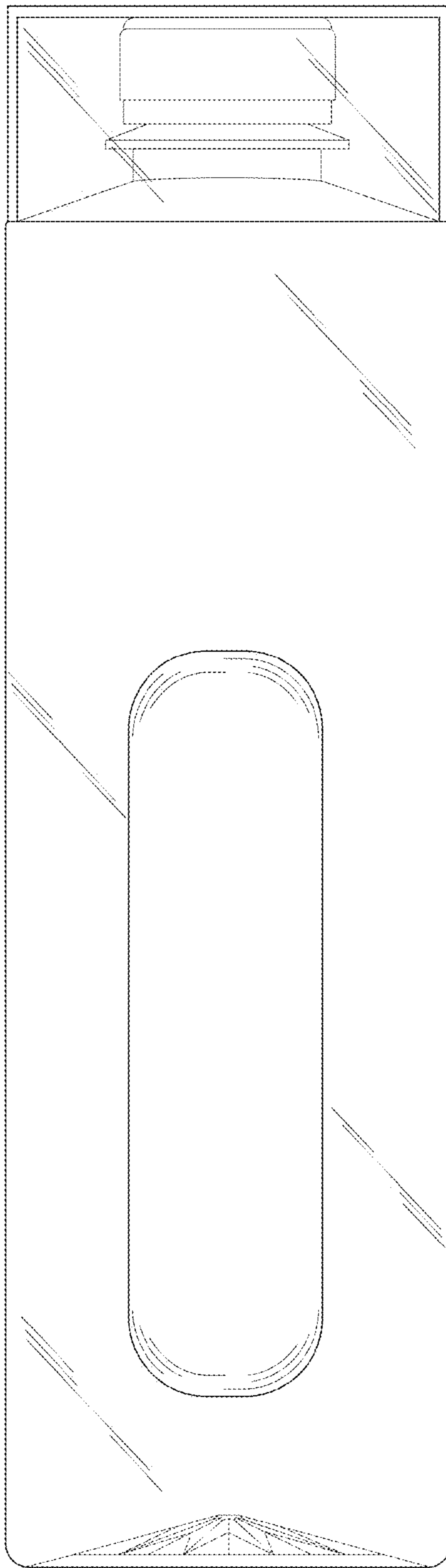


FIG. 7