



US00D904195S

(12) **United States Design Patent**
Kuhar et al.

(10) **Patent No.:** **US D904,195 S**
(45) **Date of Patent:** **** Dec. 8, 2020**

(54) **CONTAINER**

(71) Applicant: **RING CONTAINER TECHNOLOGIES, LLC**, Oakland, TN (US)

(72) Inventors: **Eugene Kuhar**, Lakeland, TN (US); **Kevin Gaydosh**, Brooklyn, MI (US)

(73) Assignee: **RING CONTAINER TECHNOLOGIES, LLC**, Oakland, TN (US)

(**) Term: **15 Years**

(21) Appl. No.: **29/665,693**

(22) Filed: **Oct. 5, 2018**

Related U.S. Application Data

(63) Continuation of application No. 15/371,979, filed on Dec. 7, 2016, now Pat. No. 10,259,609.

(51) **LOC (12) Cl.** **09-01**

(52) **U.S. Cl.**
USPC **D9/528; D9/575**

(58) **Field of Classification Search**
USPC D9/516, 520, 523, 524, 528, 530, 531, D9/533-536, 542, 543, 547, 563-565, D9/569, 552, 566, 570-575
CPC B65D 1/0261; B65D 25/2885; B65D 23/106; B65D 1/0207; B65D 1/0223; B65D 41/26; B65D 1/0292; B65D 1/18; B65D 23/00; B65D 25/00; B65D 51/1688; B65D 25/42; B29L 2031/7158; B05B 11/3057; B29C 49/06; B67D 3/043

See application file for complete search history.

(56) **References Cited**

U.S. PATENT DOCUMENTS

D213,260 S * 1/1969 Leary D9/523
D332,747 S * 1/1993 Darr D9/520

(Continued)

Primary Examiner — Brett Miller

Assistant Examiner — Rani J Abdallah

(74) *Attorney, Agent, or Firm* — Sorell, Lenna & Schmidt, LLP

(57) **CLAIM**

The ornamental design for a container, as shown and described.

DESCRIPTION

FIG. 1 is a perspective view of an embodiment of a container;

FIG. 2 is a left side view of the container shown in FIG. 1;

FIG. 3 is a right side view of the container shown in FIG. 1;

FIG. 4 is a back view of the container shown in FIG. 1;

FIG. 5 is a front view of the container shown in FIG. 1;

FIG. 6 is a top view of the container shown in FIG. 1;

FIG. 7 is a bottom view of the container shown in FIG. 1;

FIG. 8 is a perspective view of an embodiment of a container;

FIG. 9 is a left side view of the container shown in FIG. 8;

FIG. 10 is a right side view of the container shown in FIG. 8;

FIG. 11 is a back view of the container shown in FIG. 8;

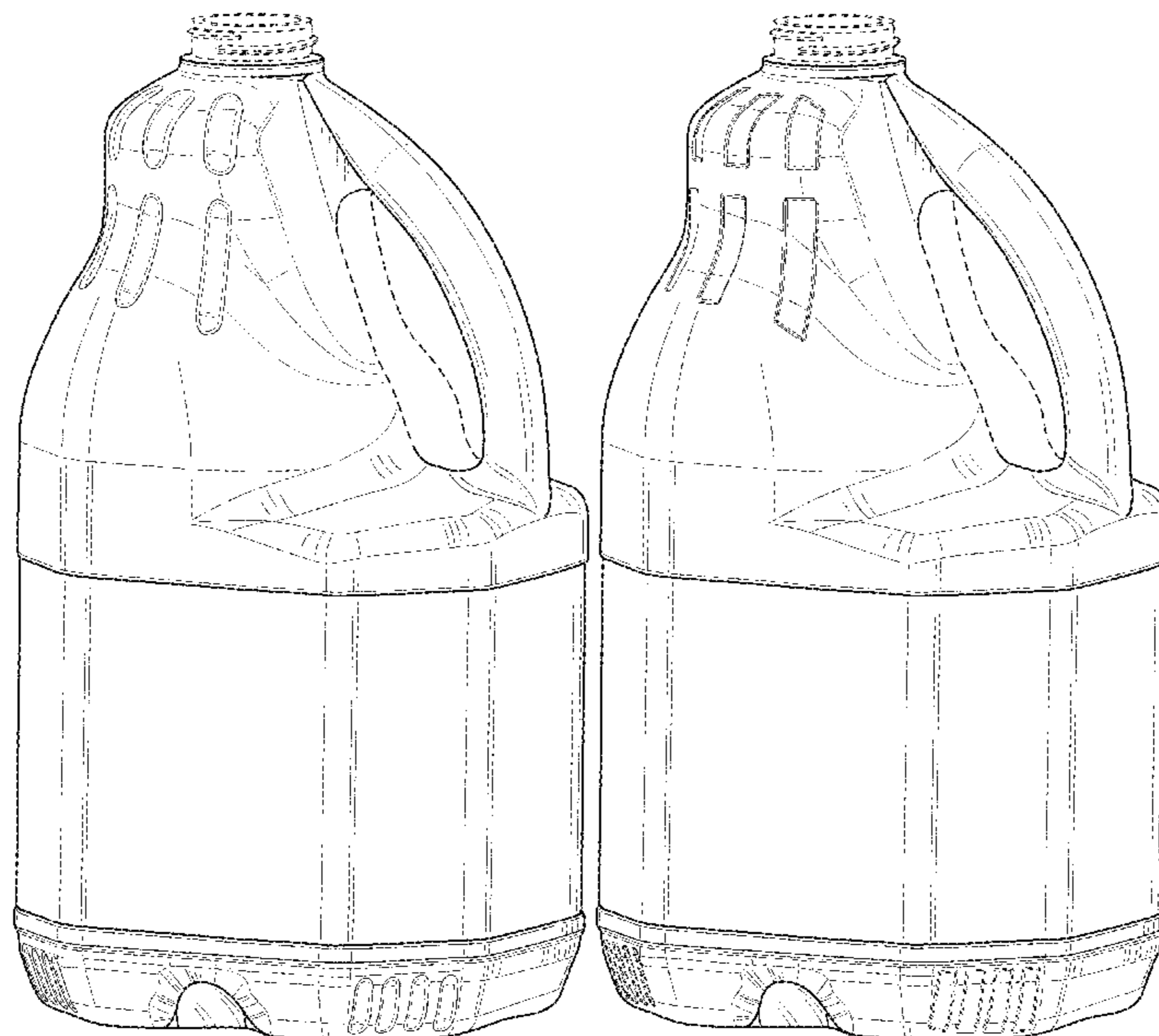
FIG. 12 is a front view of the container shown in FIG. 8;

FIG. 13 is a top view of the container shown in FIG. 8; and,

FIG. 14 is a bottom view of the container shown in FIG. 8.

The broken lines showing a portion of the top inner and outer surfaces, the bottom surface and a portion of the container that defines a portion of the opening adjacent to the handle is for the purpose of illustrating structure and forms no part of the claimed design.

1 Claim, 14 Drawing Sheets



(56)

References Cited

U.S. PATENT DOCUMENTS

D351,347	S *	10/1994	Ring	D9/528
D397,036	S *	8/1998	Katakouzinis	D9/520
D406,767	S *	3/1999	Beechuk	D9/434
D468,208	S *	1/2003	Yan	D9/528
D652,305	S *	1/2012	Yourist	D9/524
D652,729	S *	1/2012	Young	D9/531
D669,357	S *	10/2012	Dorn	D9/531
8,893,908	B2 *	11/2014	Treece	B65D 1/0261 215/373
D835,511	S *	12/2018	Charlton	D9/528
D836,445	S *	12/2018	Charlton	D9/528
10,259,609	B2 *	4/2019	Kuhar	B65D 1/0207
D853,846	S *	7/2019	Dunster	D9/516
D869,954	S *	12/2019	Simpson	D9/531
10,647,469	B2 *	5/2020	Steiger	B65D 23/106
D889,971	S *	7/2020	Meza	D9/516
D891,260	S *	7/2020	Clark	D9/563
2005/0082251	A1 *	4/2005	Darr	B65D 23/106 215/396
2016/0272356	A1 *	9/2016	Simpson	B65D 25/2885
2017/0158370	A1 *	6/2017	Kuhar	B65D 1/0207

* cited by examiner

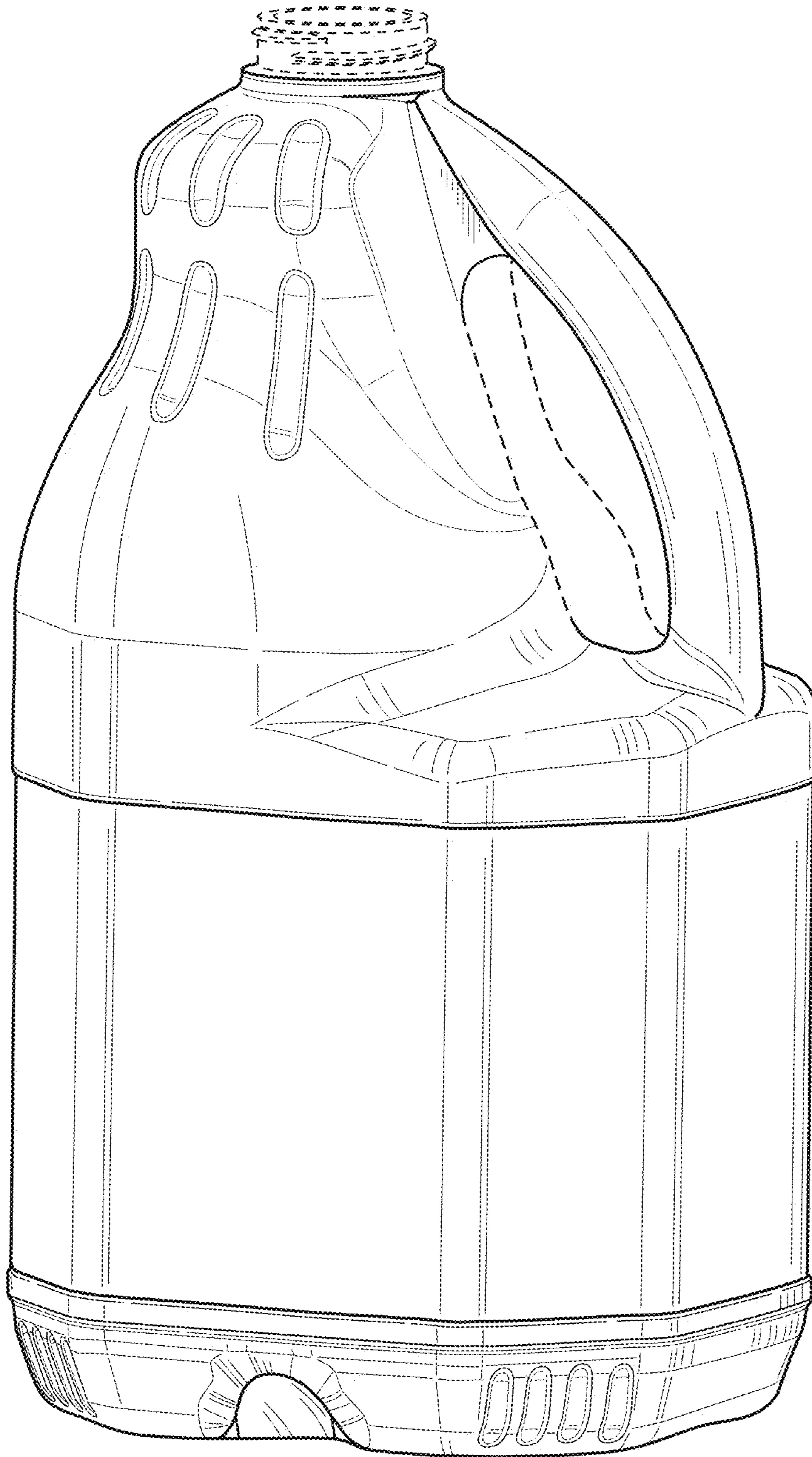


FIG. 1

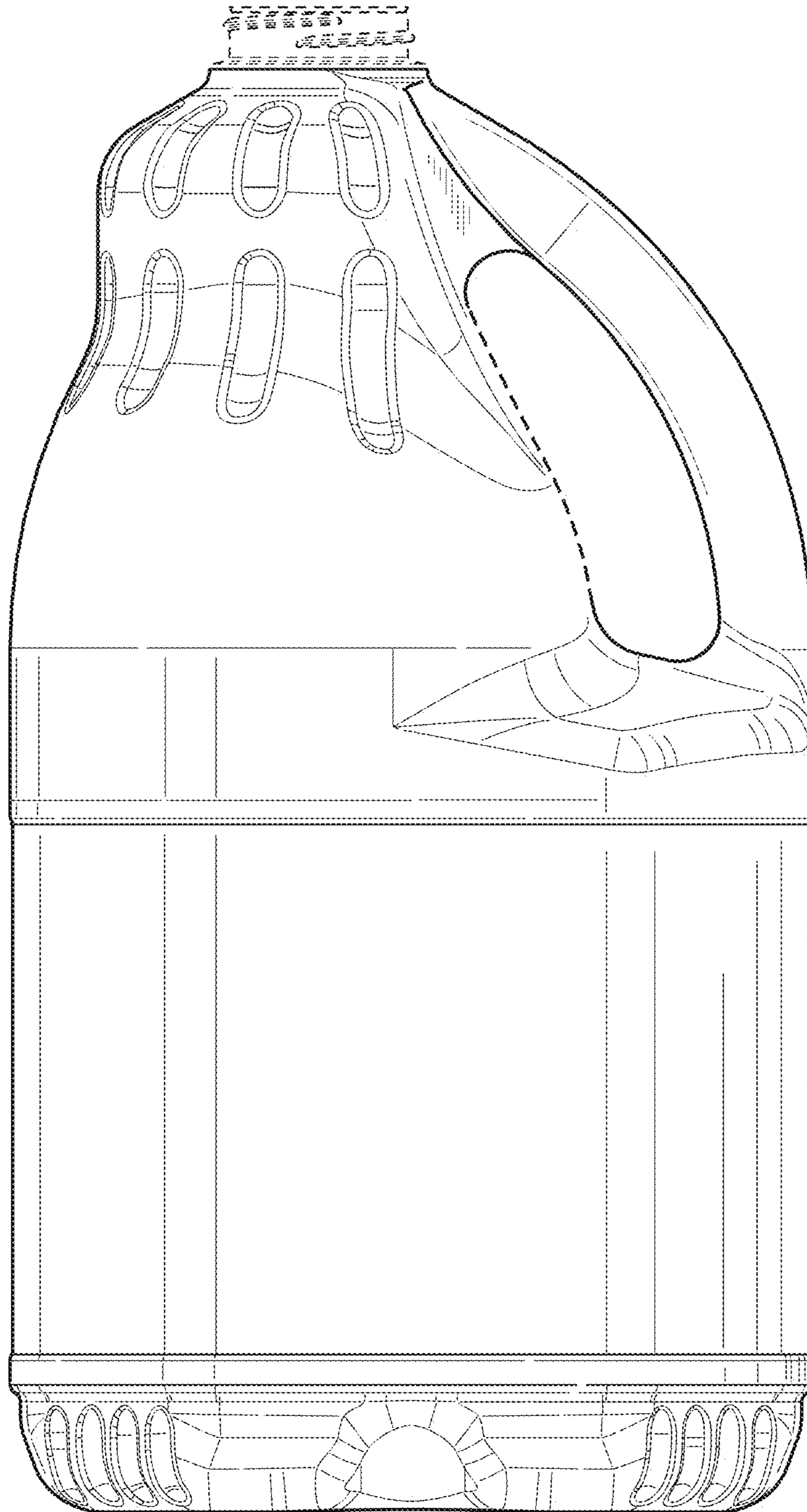


FIG. 2

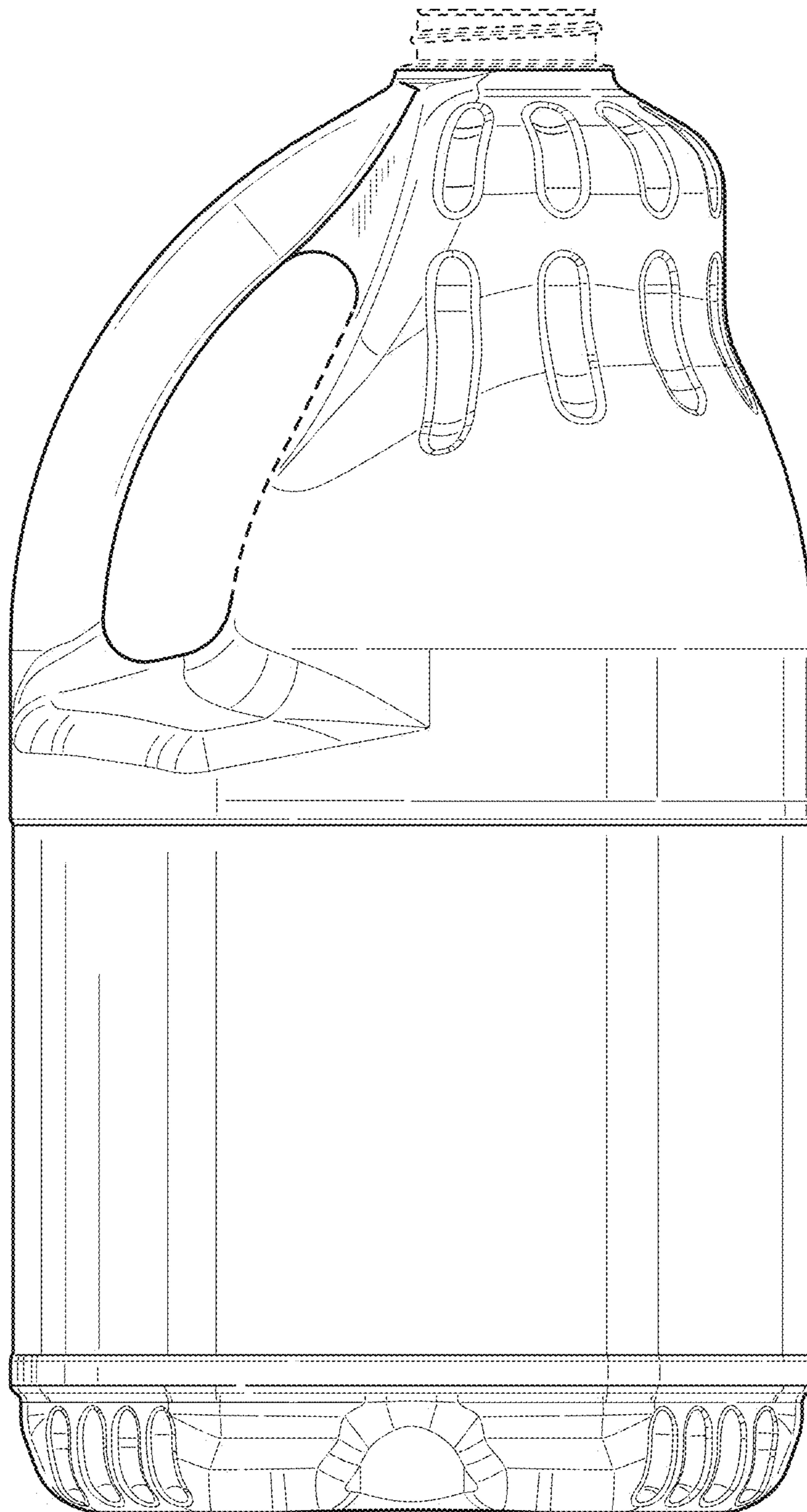


FIG. 3

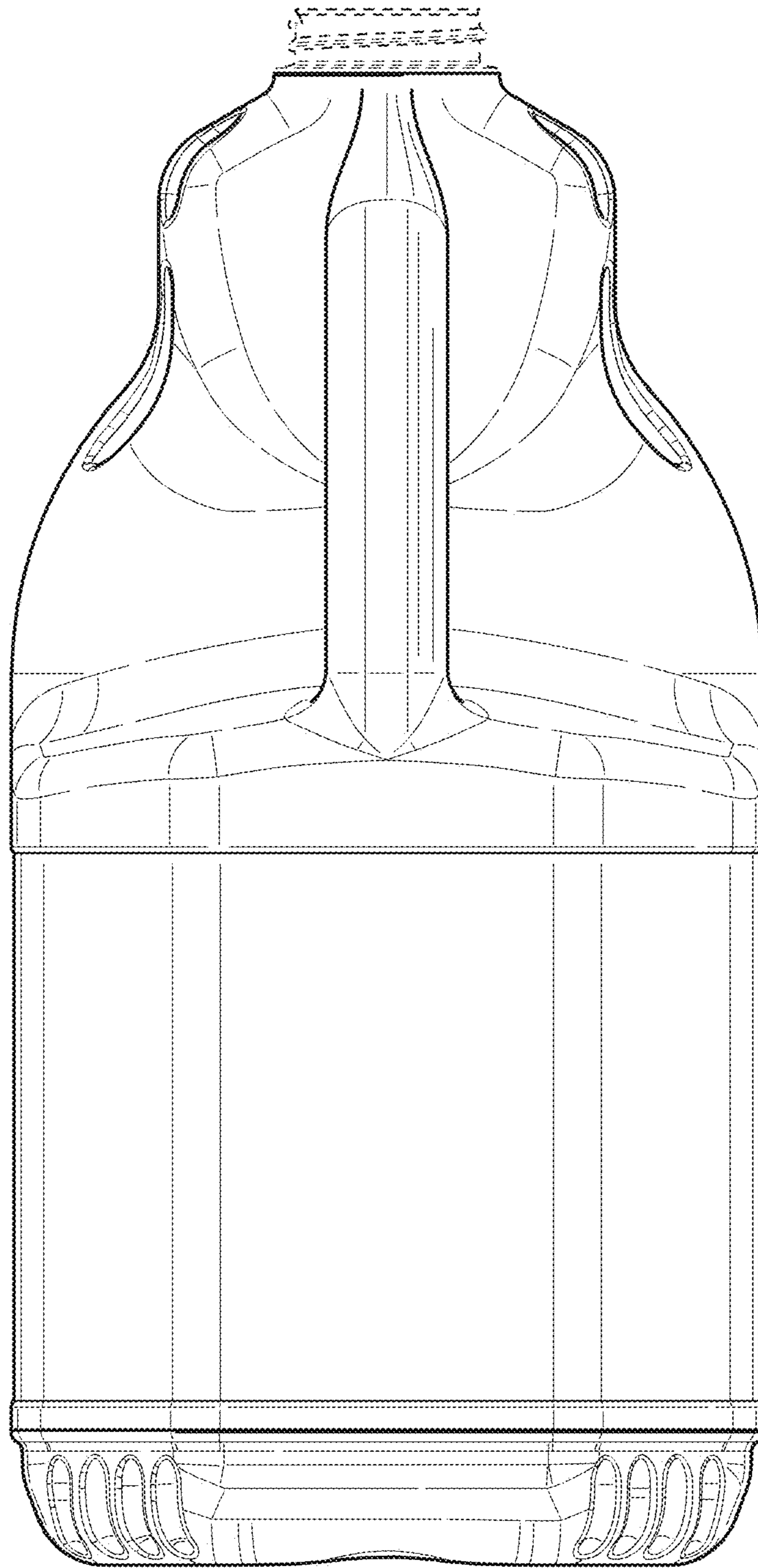


FIG. 4

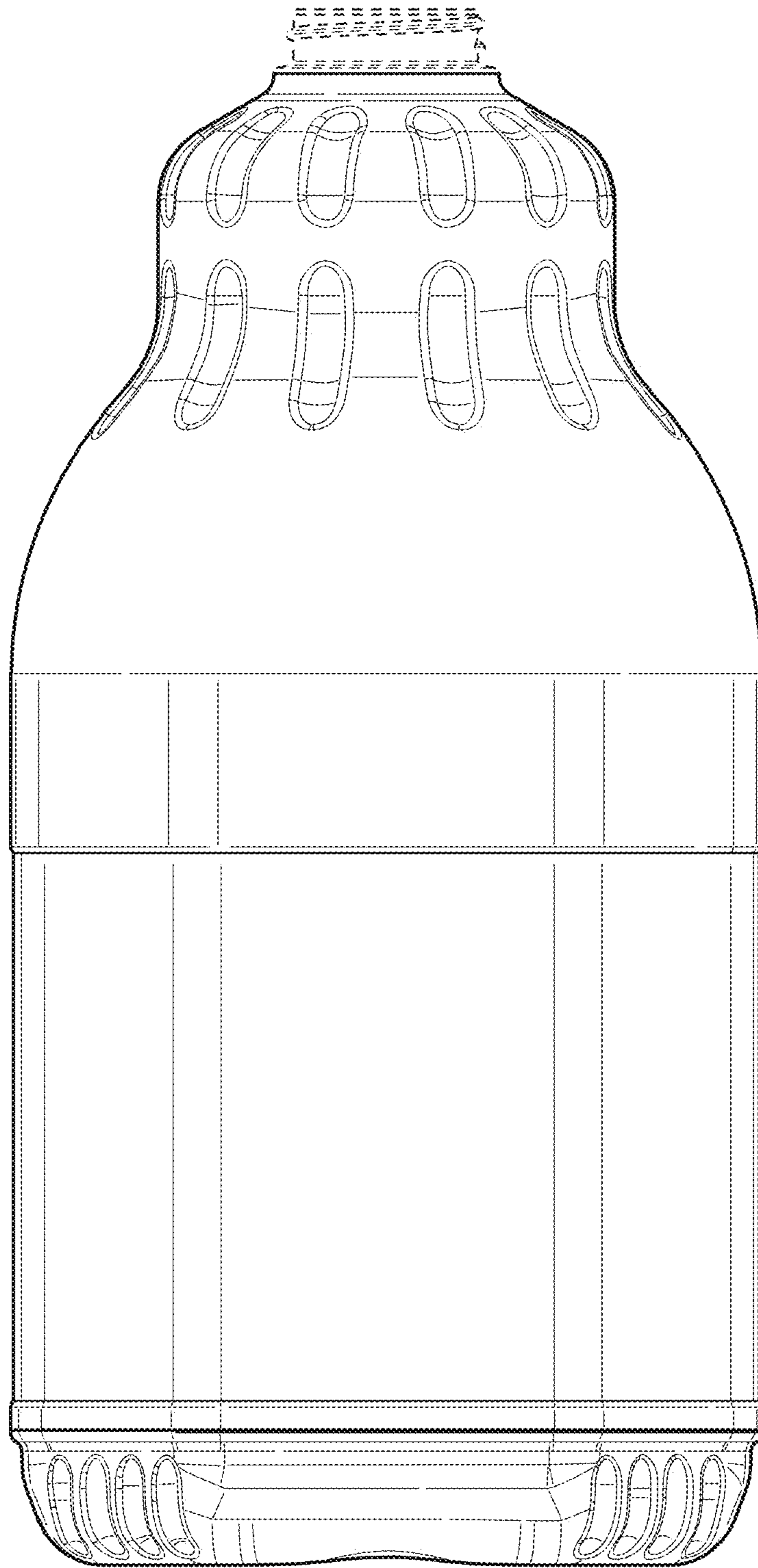


FIG. 5

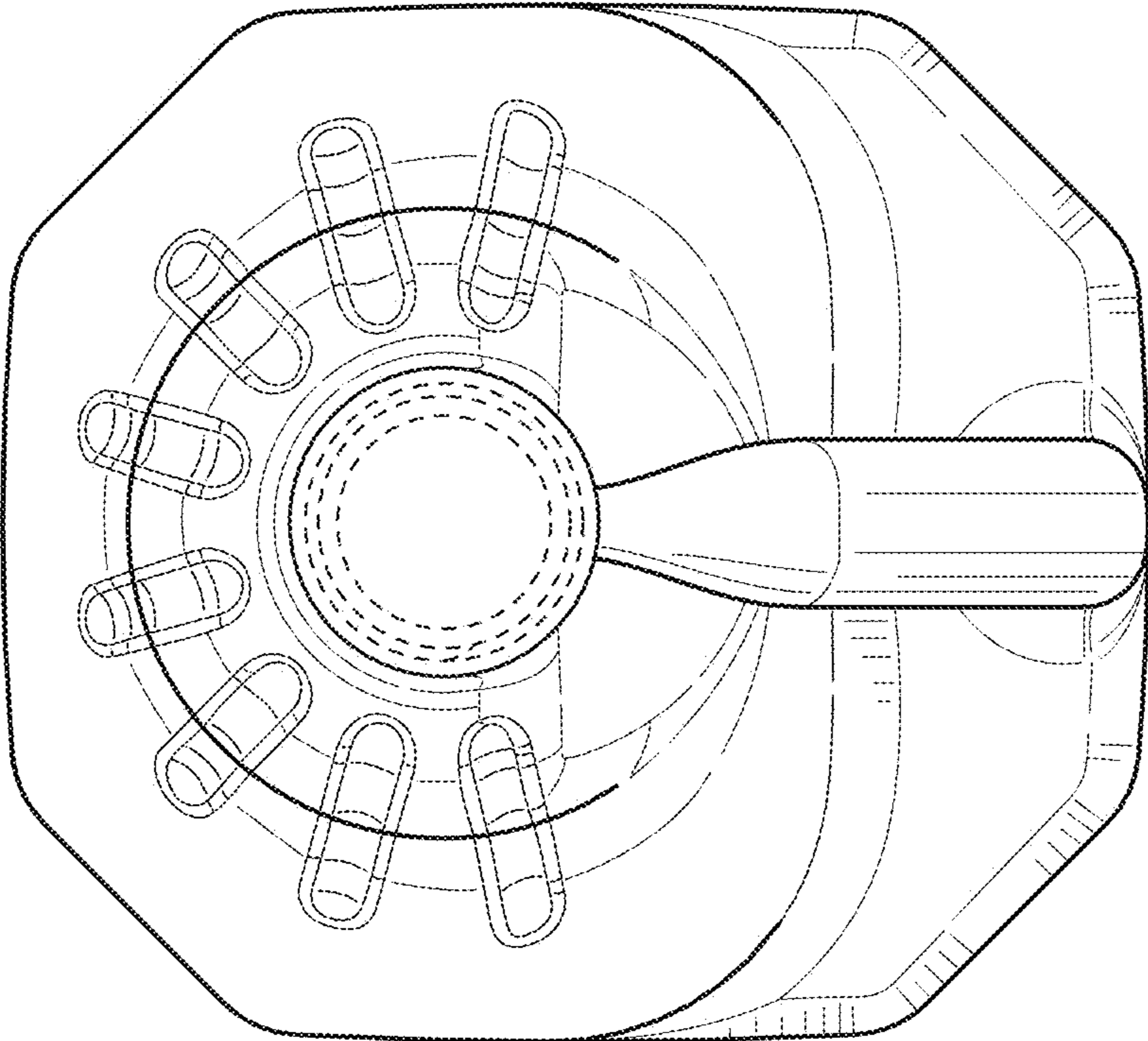


FIG. 6

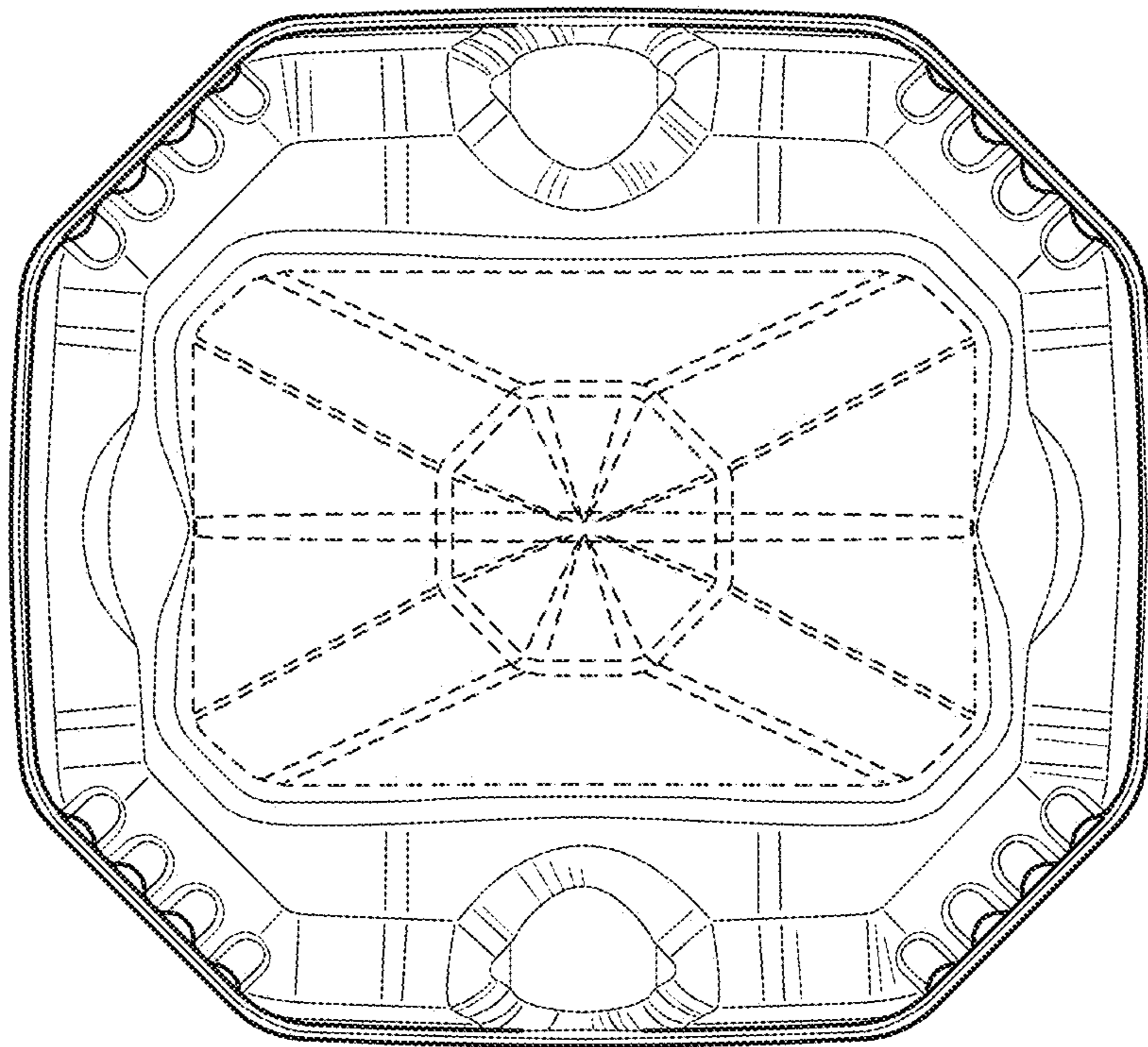


FIG. 7

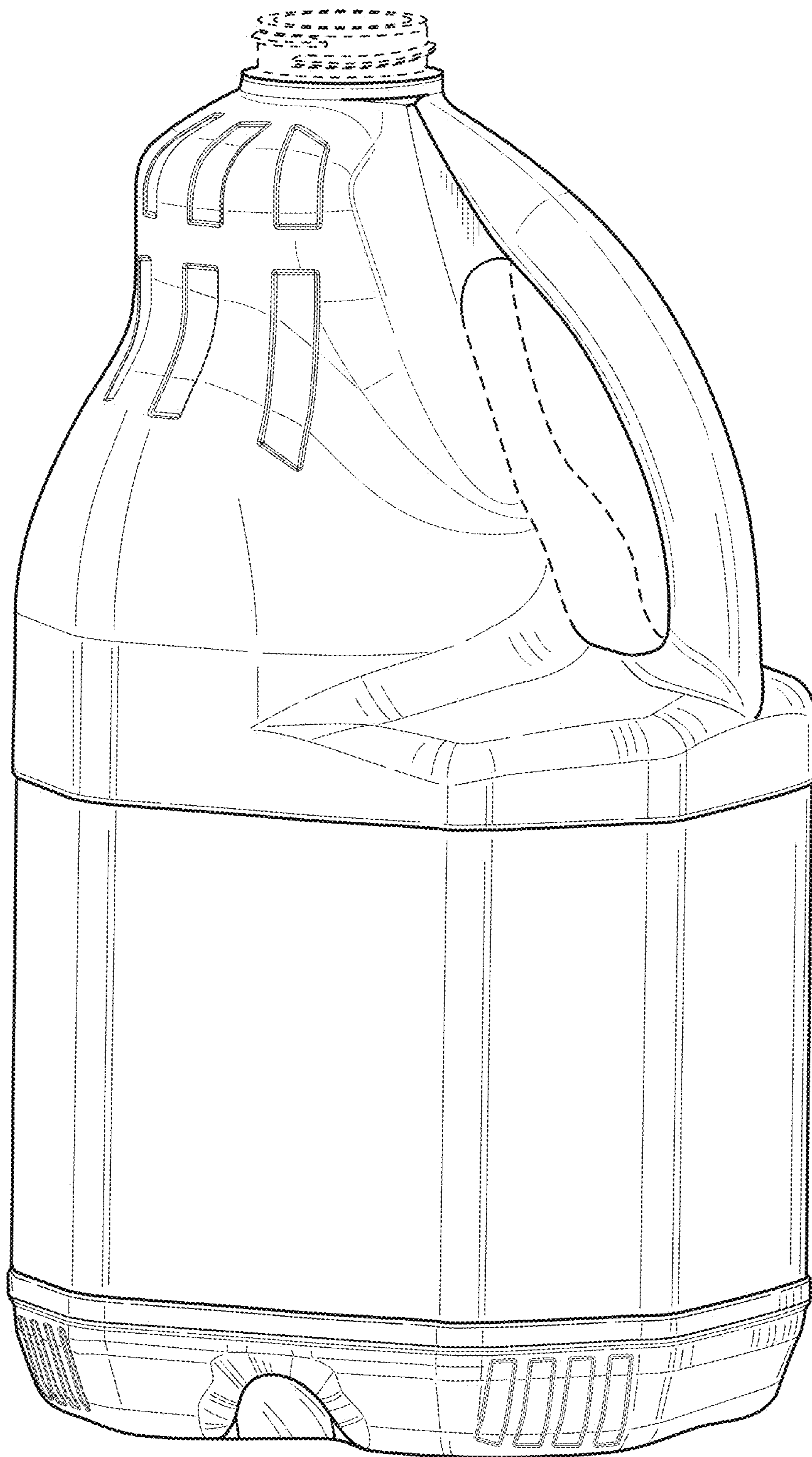


FIG. 8

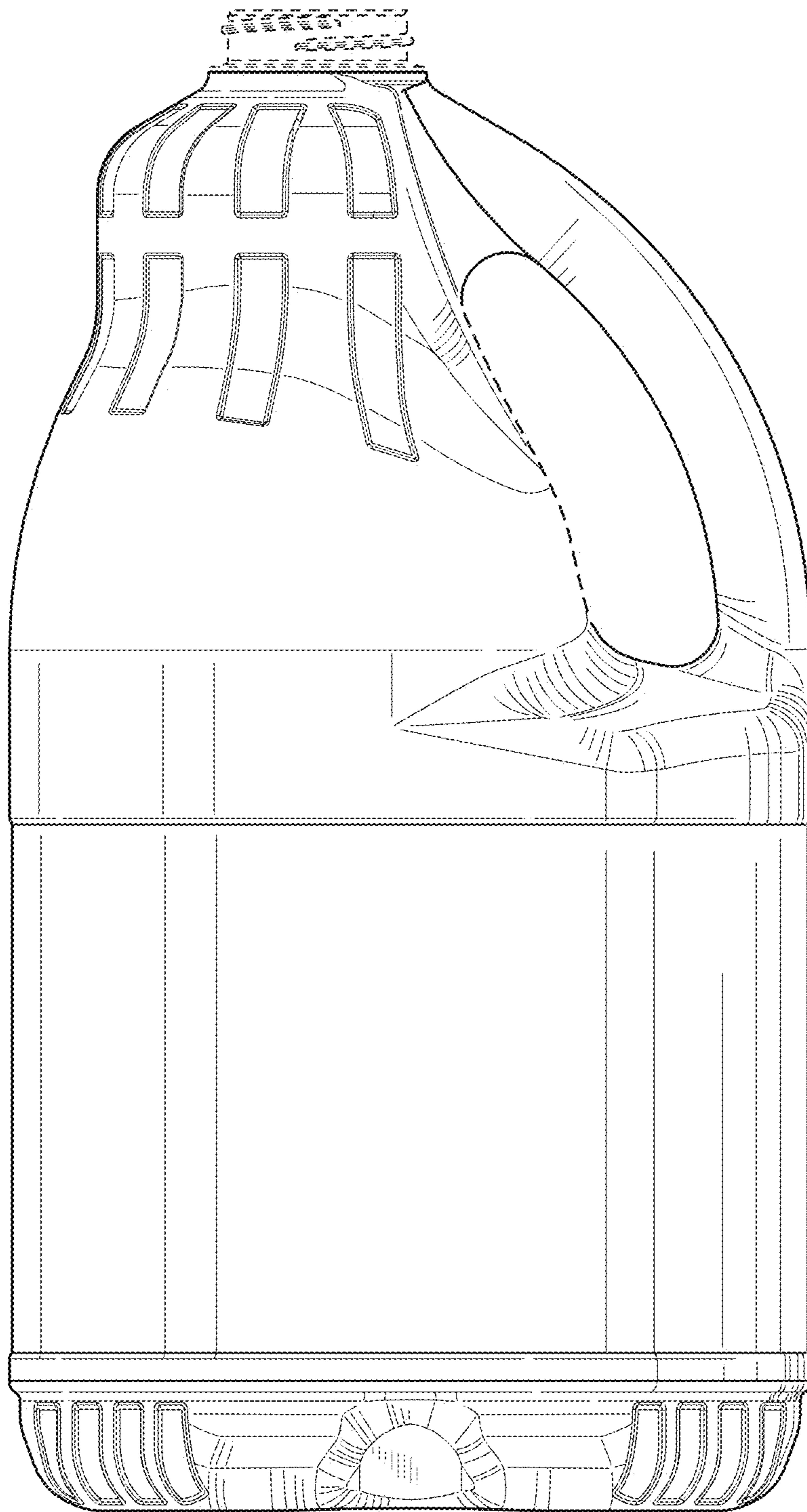


FIG. 9

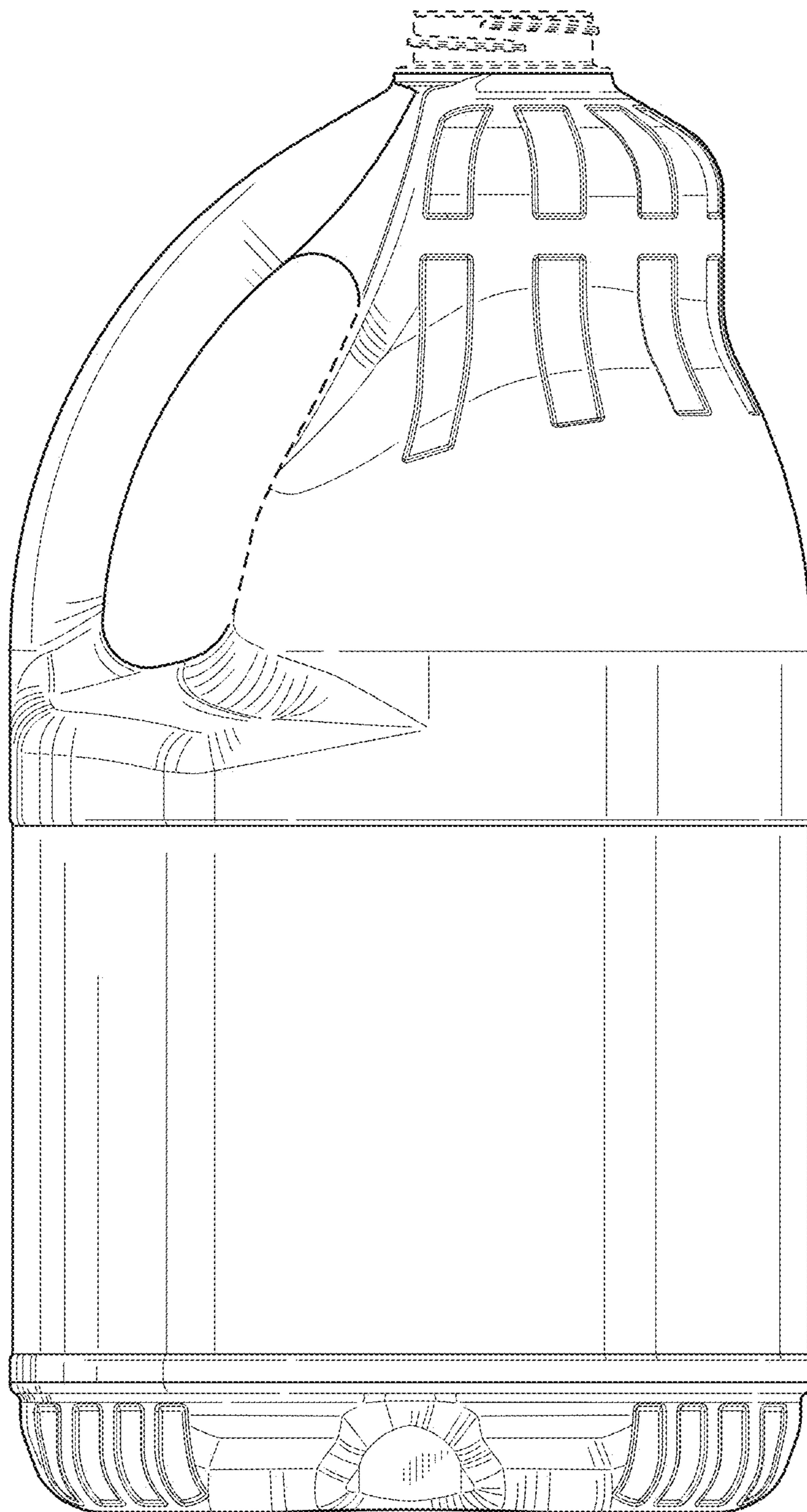


FIG. 10

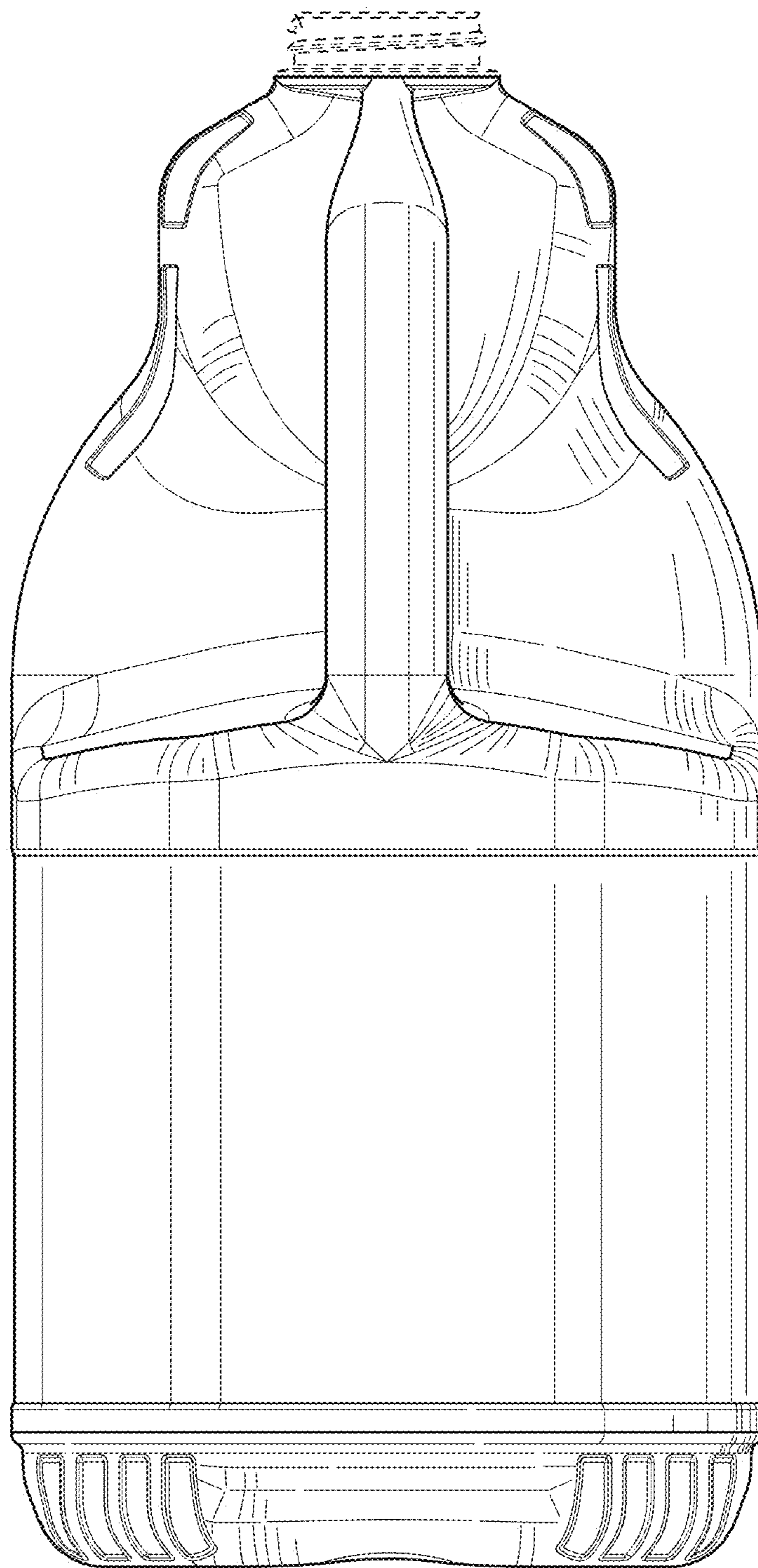


FIG. 11

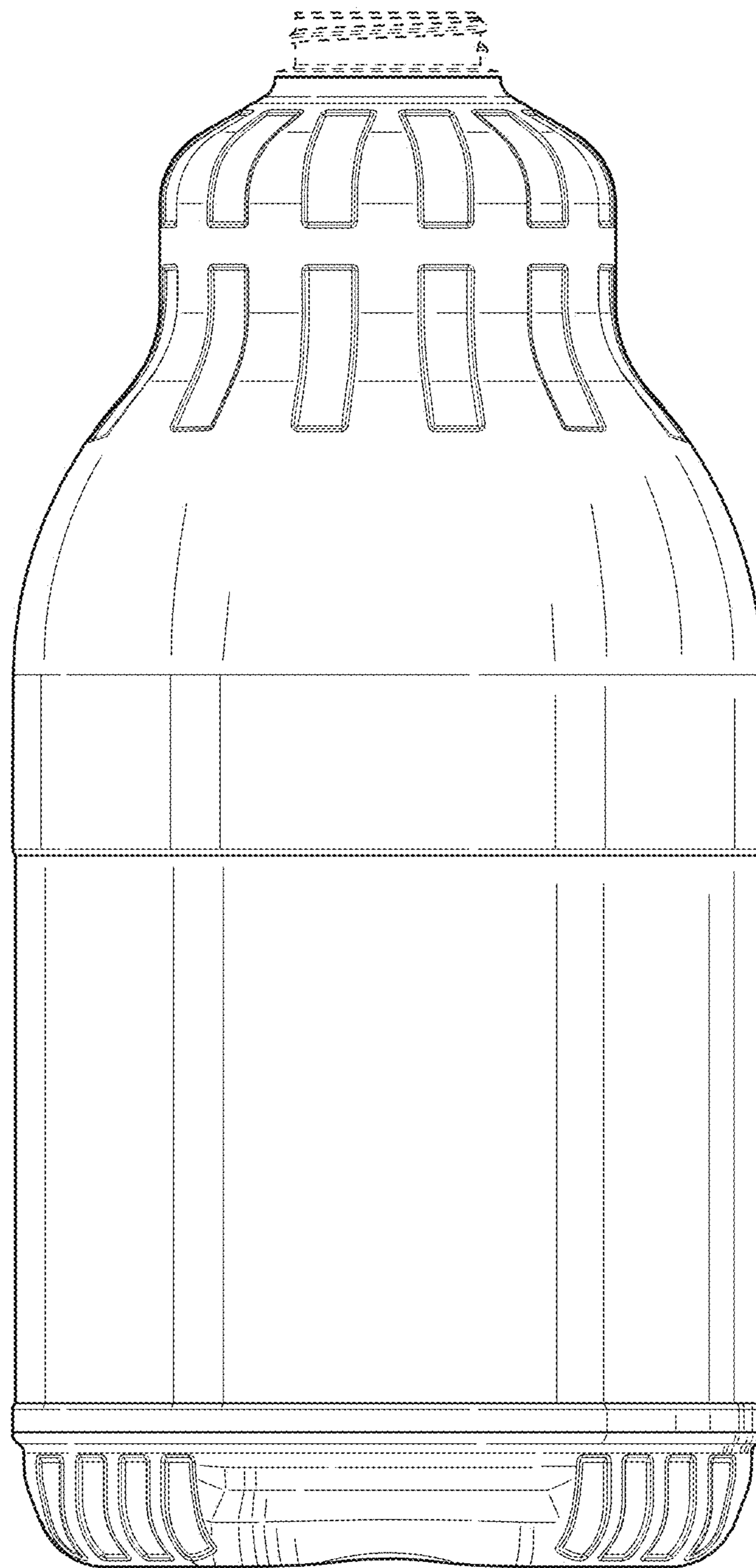


FIG. 12

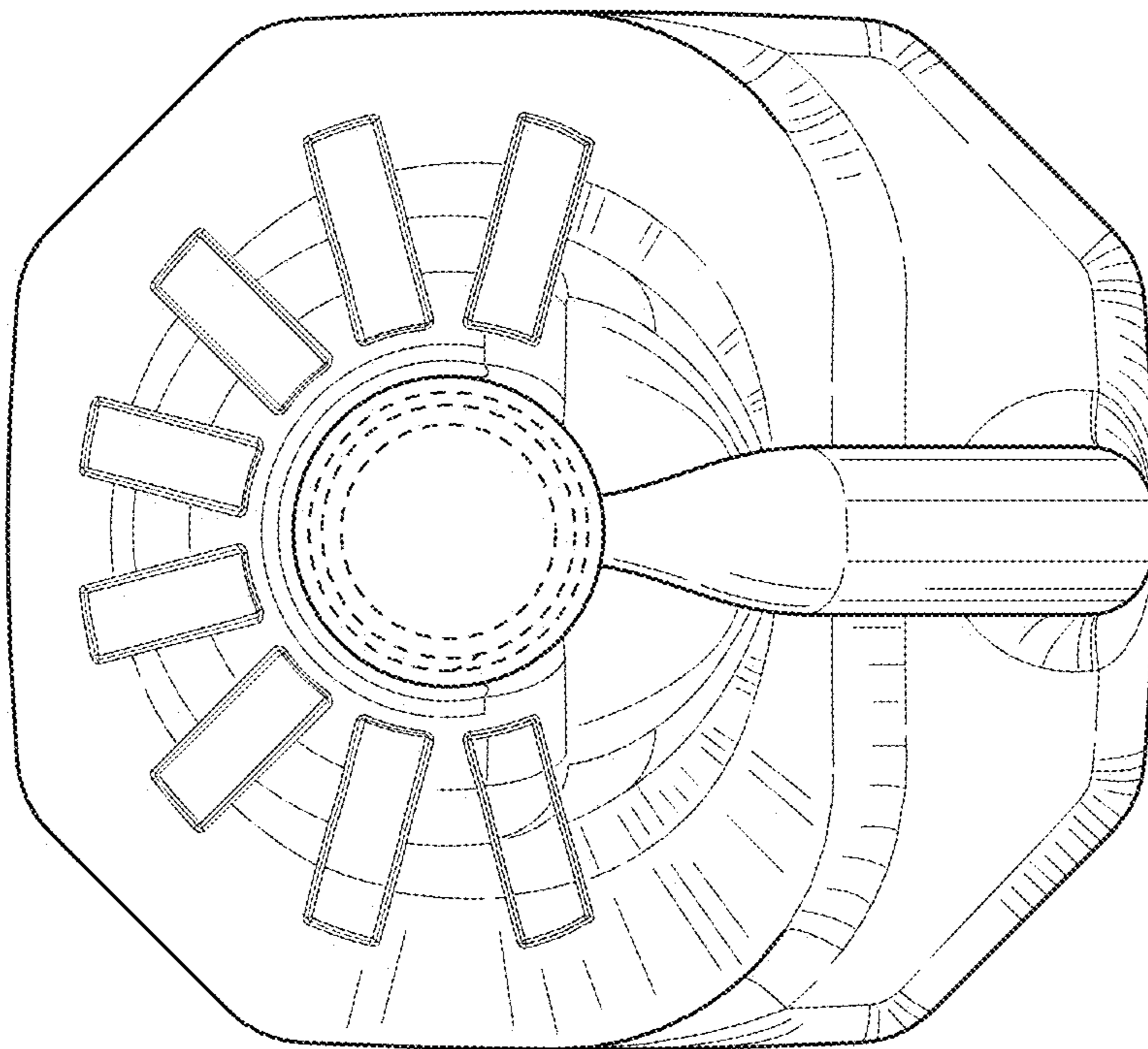


FIG. 13

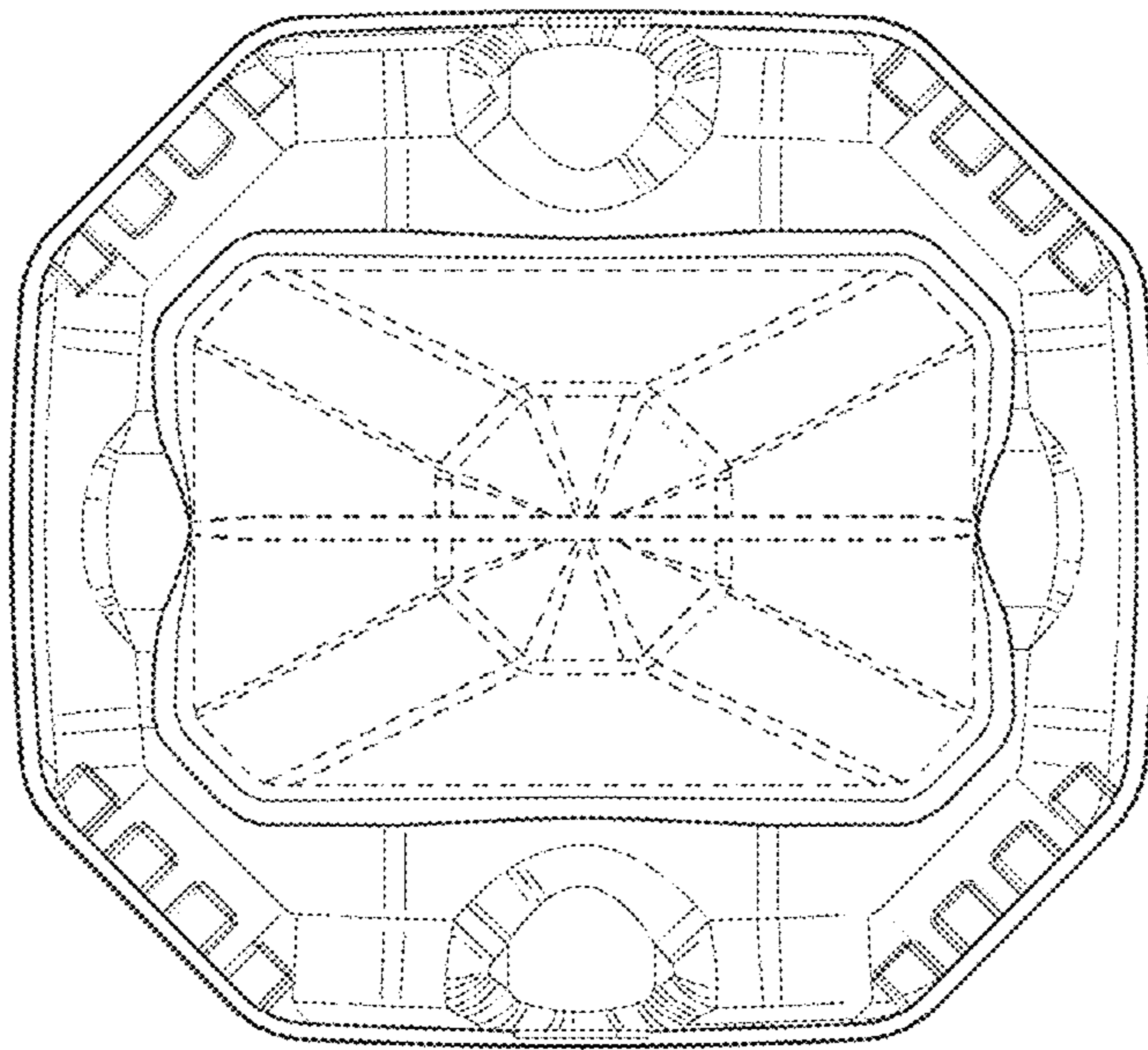


FIG. 14