

US00D904194S

(12) **United States Design Patent**
Choi

(10) **Patent No.:** **US D904,194 S**

(45) **Date of Patent:** **** Dec. 8, 2020**

(54) **CONTAINER FOR PORTION PACK**

(71) Applicant: **ROYALGREENS CO., LTD,**
Gyeonggi-do (KR)

(72) Inventor: **Jee Lim Choi,** Gyeonggi-do (KR)

(73) Assignee: **ROYALGREENS CO., LTD,**
Gyeonggi-Do (KR)

(**) Term: **15 Years**

(21) Appl. No.: **29/663,226**

(22) Filed: **Sep. 13, 2018**

(51) **LOC (12) Cl.** **09-07**

(52) **U.S. Cl.**
USPC **D9/503; D9/436; D9/447; D9/453;**
D9/454; D9/719; D9/746

(58) **Field of Classification Search**
USPC **D9/414, 434-436, 438-440, 443-457,**
D9/499, 503-505, 682, 685, 686, 719,
D9/746; D7/387, 391, 392, 392.1,
D7/396.2-396.4, 401.1, 507, 509-511,
D7/538, 900, 509-511; D3/202, 203.2,
D3/318; D28/91.1
CPC .. **A61J 1/00; A61J 1/1412; B65D 1/00; B65D**
1/02; B65D 1/10; B65D 1/46; B65D
5/46; B65D 41/00; B65D 41/38; B65D
41/56; B65D 41/62; B65D 47/00; B65D
47/06; B65D 47/08; B65D 2251/00;
B65D 2543/00046; B65D 2543/00092;
B65D 2543/00296; B65D 2585/56; B65D
2585/545

See application file for complete search history.

(56) **References Cited**

U.S. PATENT DOCUMENTS

D221,888 S * 9/1971 Gruett D9/453
D316,035 S * 4/1991 Pepitone D9/503
5,277,324 A * 1/1994 Cash B65D 23/065
D9/445
D360,134 S * 7/1995 Snyder D9/438

(Continued)

OTHER PUBLICATIONS

BackerClub “Cold Brew Cap/Design: Royal Greens Cap” (online) at least as early as 2018. Retrieved from Internet on Mar. 14, 2020, URL:https://backerclub.co/html.php?id=14634 (21 pages).*

(Continued)

Primary Examiner — Michael A. Pratt

Assistant Examiner — Wendy L Arminio

(74) *Attorney, Agent, or Firm* — The PL Law Group, PLLC

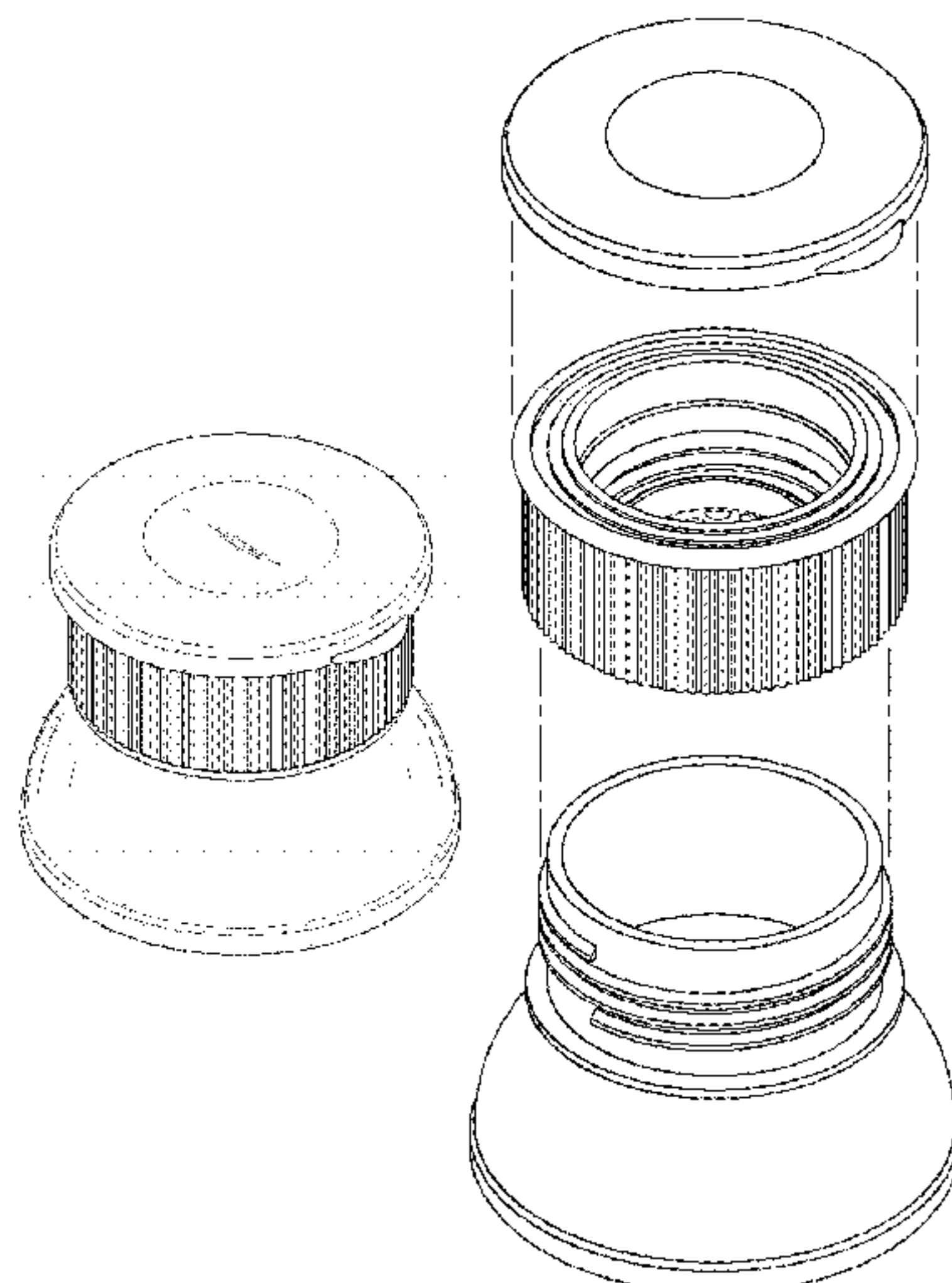
(57) **CLAIM**

The ornamental design for a container for portion pack, as shown and described herein.

DESCRIPTION

FIG. 1 is a perspective view of a container for portion pack showing my new design;
FIG. 2 is a front view thereof.
FIG. 3 is a rear view thereof;
FIG. 4 is a left side view thereof;
FIG. 5 is a right side view thereof;
FIG. 6 is a top plan view thereof;
FIG. 7 is a bottom plan view thereof;
FIG. 8 is an exploded and perspective view thereof; and,
FIG. 9 is a partial cross-sectional view showing the container for portion pack in a position of use with a single-use bottle drawn in broken lines joined on top of the container. The broken lines illustrating a single-use bottle in FIG. 9 depict environment and form no part of the claimed design. The vertical dash-dot-dash broken lines in FIG. 8 denote the order of assembly of parts and form no part of the claimed design. All other broken lines depict portions of the container for portion pack that form no part of the claimed design.

1 Claim, 6 Drawing Sheets



(56)

References Cited

U.S. PATENT DOCUMENTS

5,797,509	A	*	8/1998	Fitch	B65D 51/20
						D9/434
D451,806	S	*	12/2001	Stalder	D9/503
D499,023	S	*	11/2004	Amos	D9/436
D565,412	S	*	4/2008	Fuller	D9/503
D567,659	S	*	4/2008	Gran	D9/435
D686,078	S	*	7/2013	Johnson	D9/452
D743,255	S	*	11/2015	Niggemyer	D9/447
D832,706	S	*	11/2018	Uziard	D9/503
D844,435	S	*	4/2019	Deylamian	D9/503

OTHER PUBLICATIONS

Tea Doraji photo posted on Instagram (online) posted on Jan. 26, 2019. Retrieved from Internet on Mar. 14, 2020, URL: <https://www.instagram.com/p/BtHWC58ltit/> (2 pages).*

Tea Doraji photo posted on Instagram (online) posted on Feb. 2, 2019. Retrieved from Internet on Mar. 14, 2020, URL: <https://www.instagram.com/p/BtZNvVUFXYB/> (2 pages).*

* cited by examiner

FIG. 1

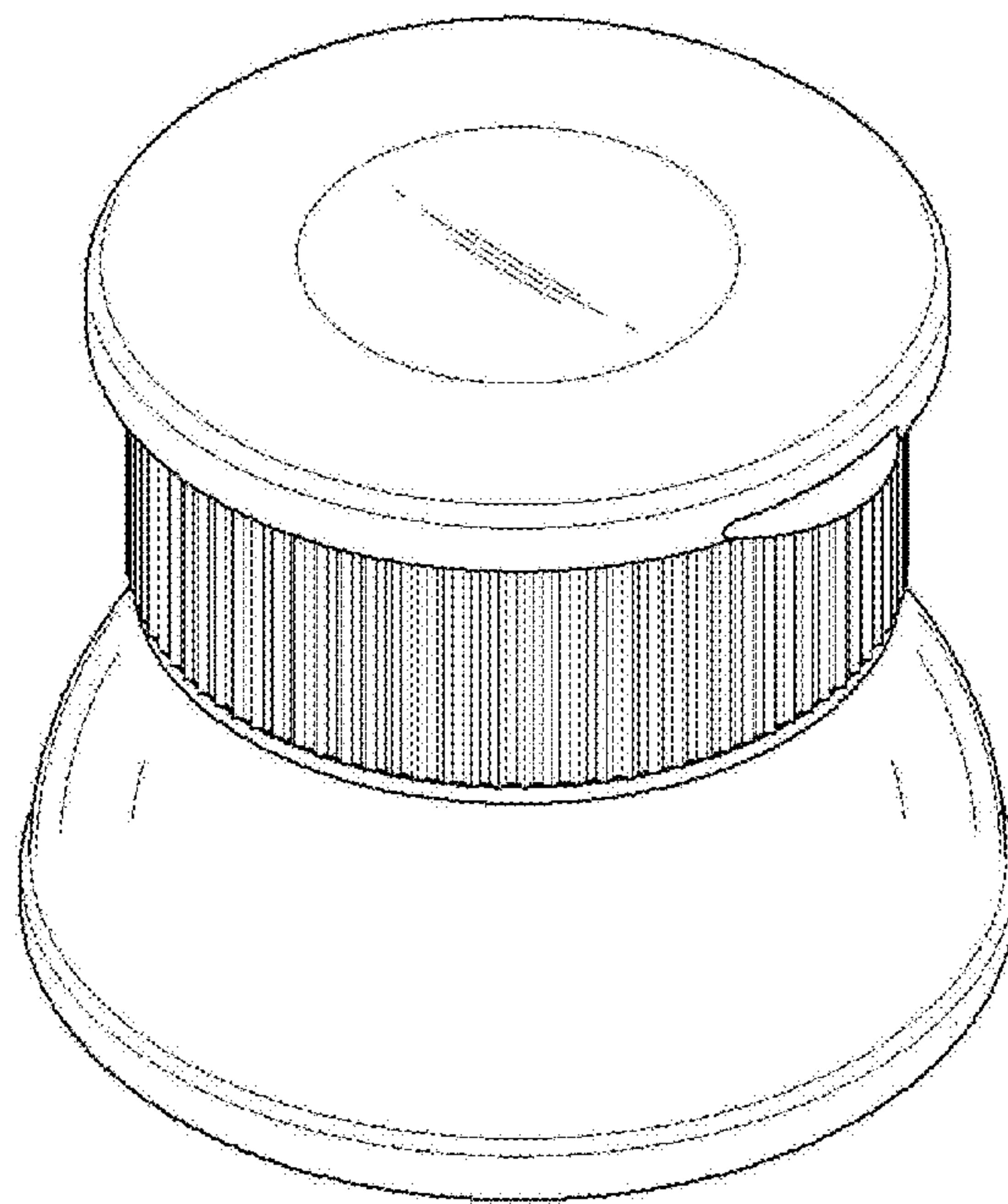


FIG. 2

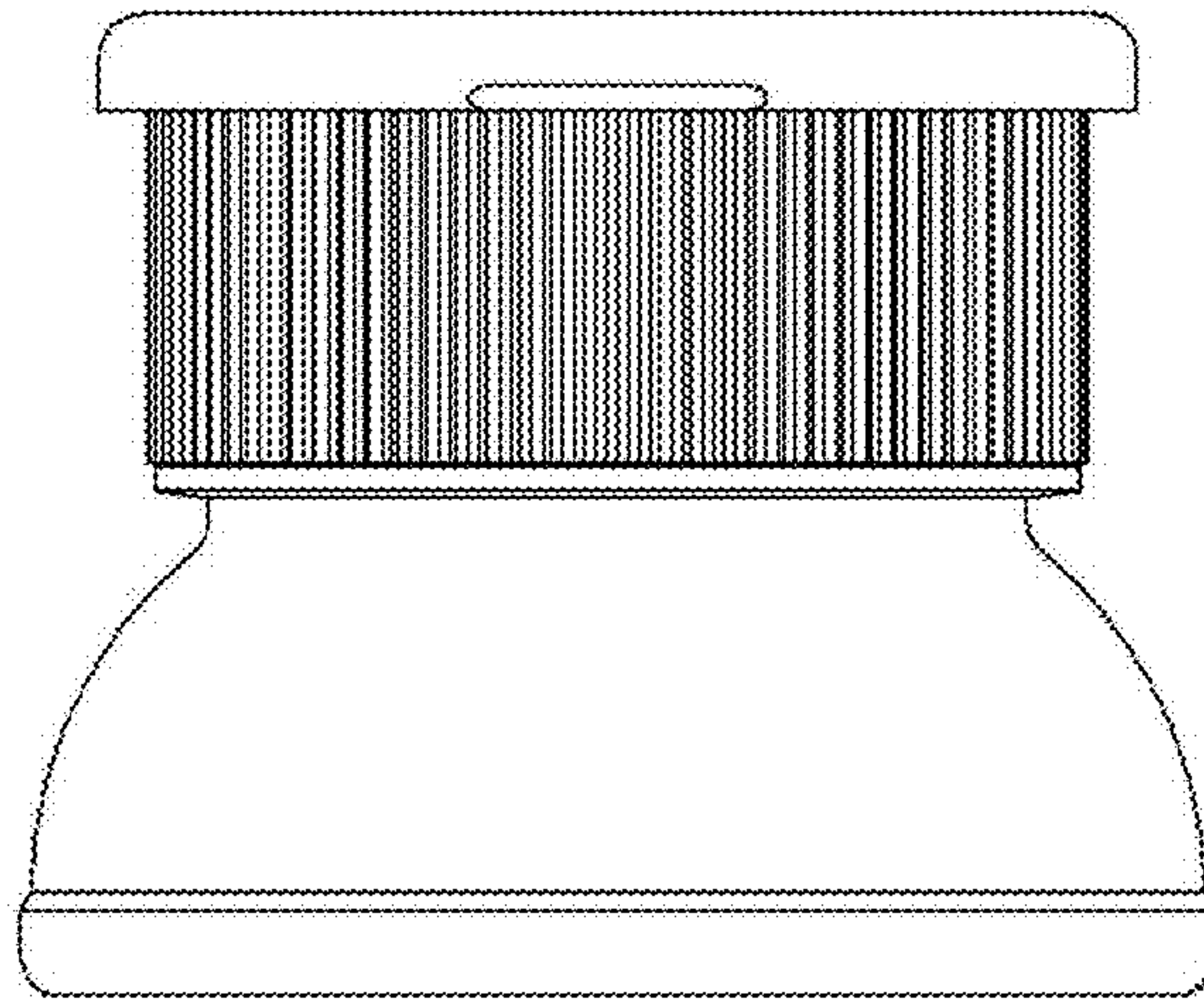


FIG. 3

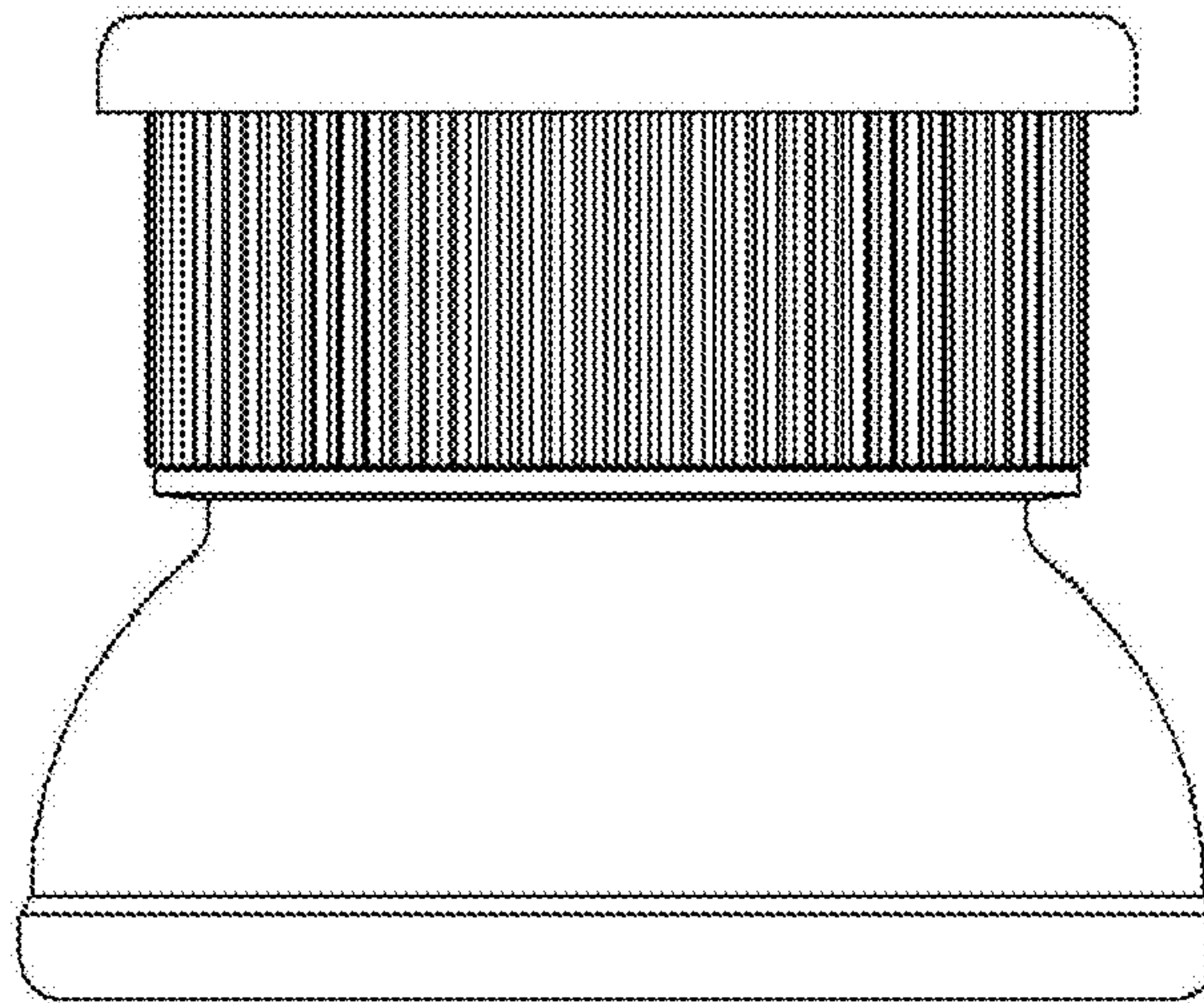


FIG. 4

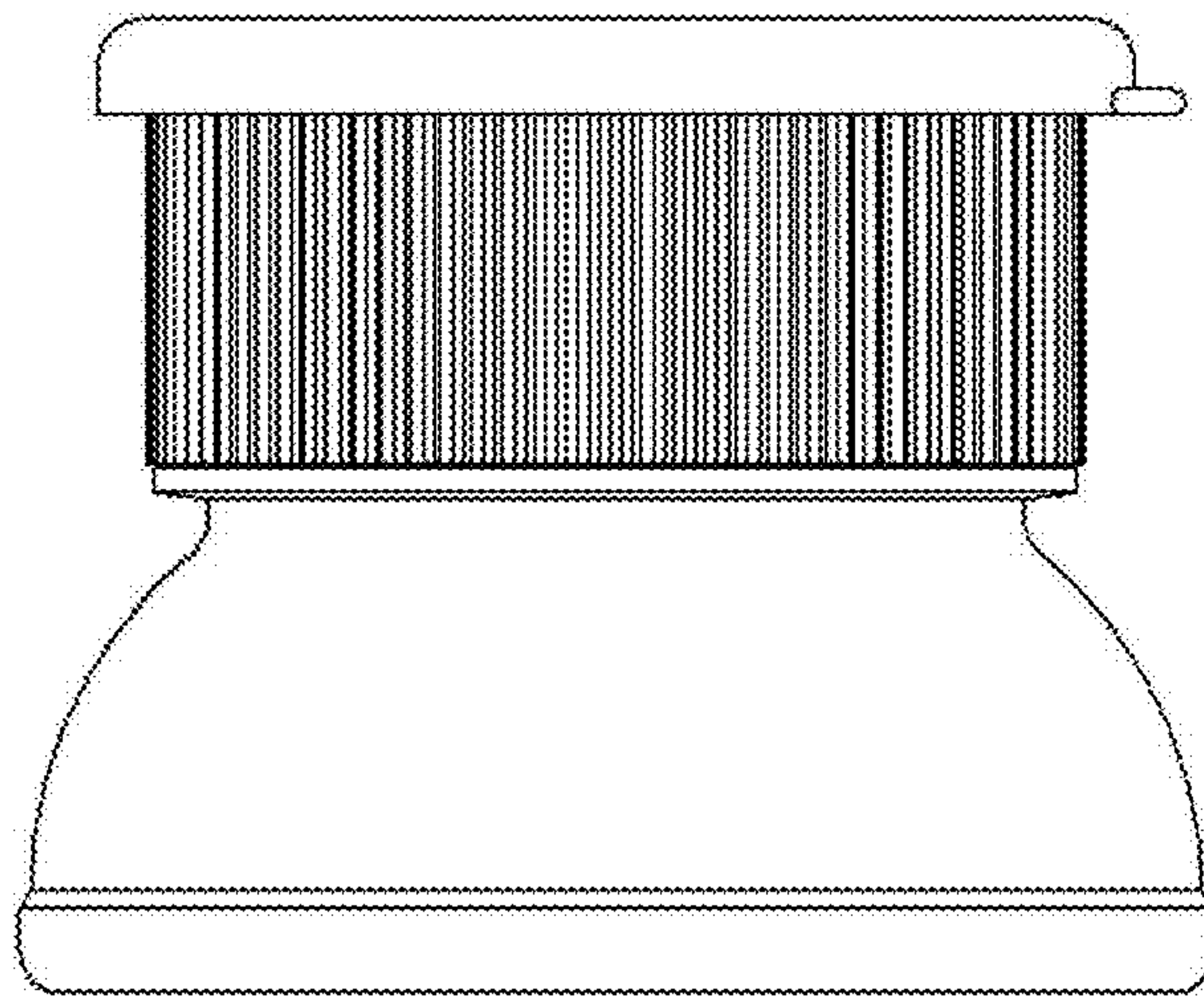


FIG. 5

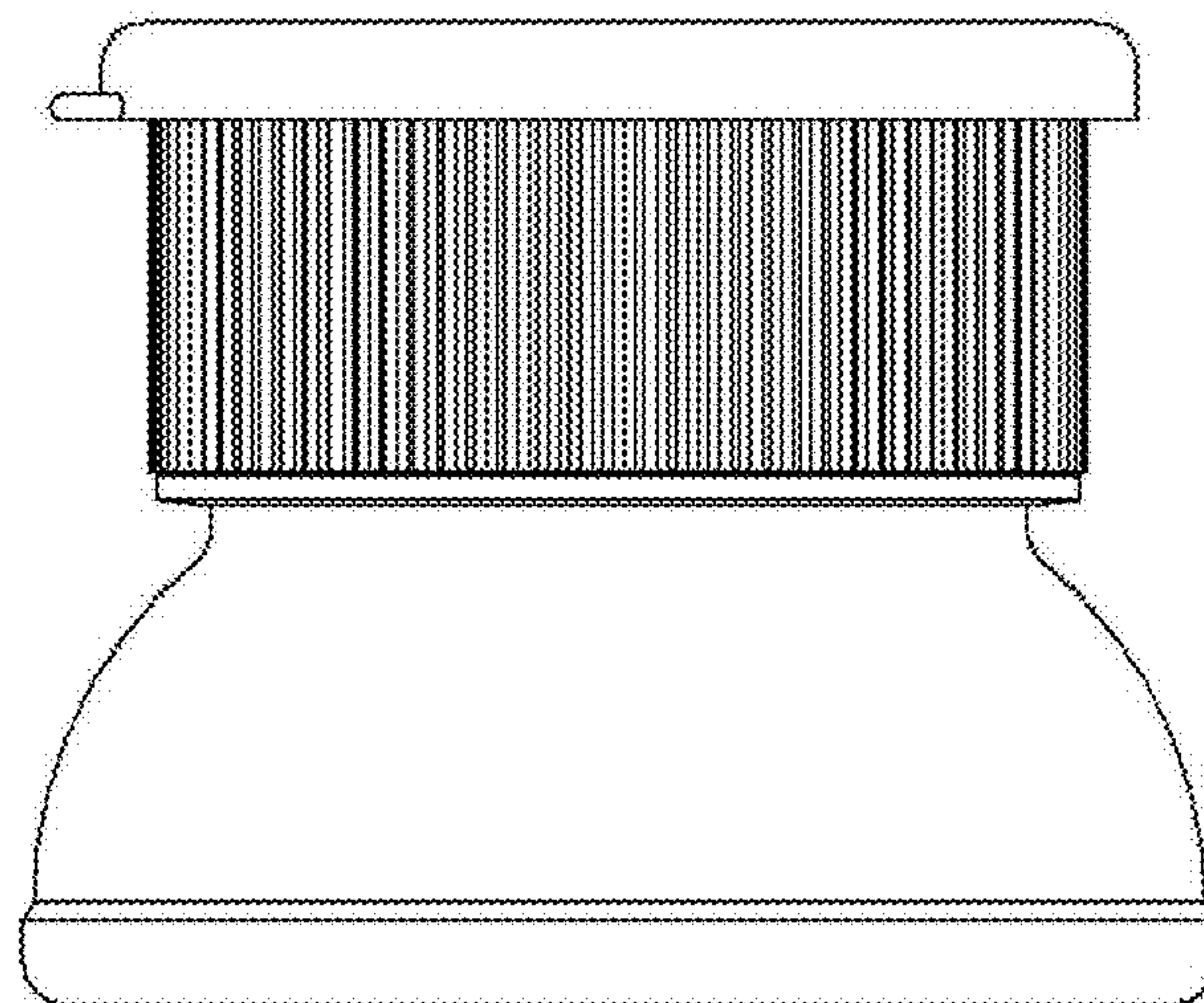


FIG. 6

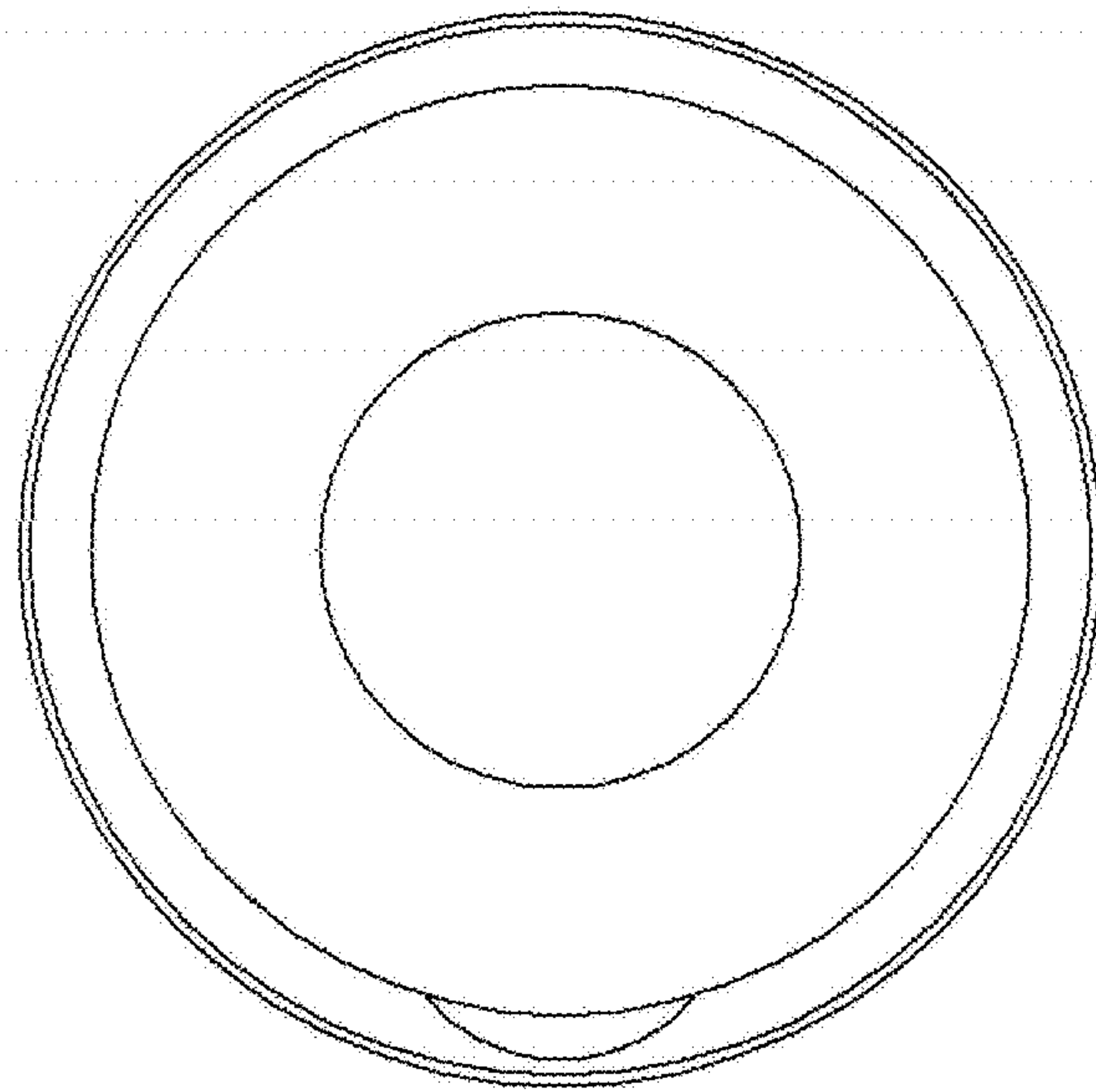


FIG. 7

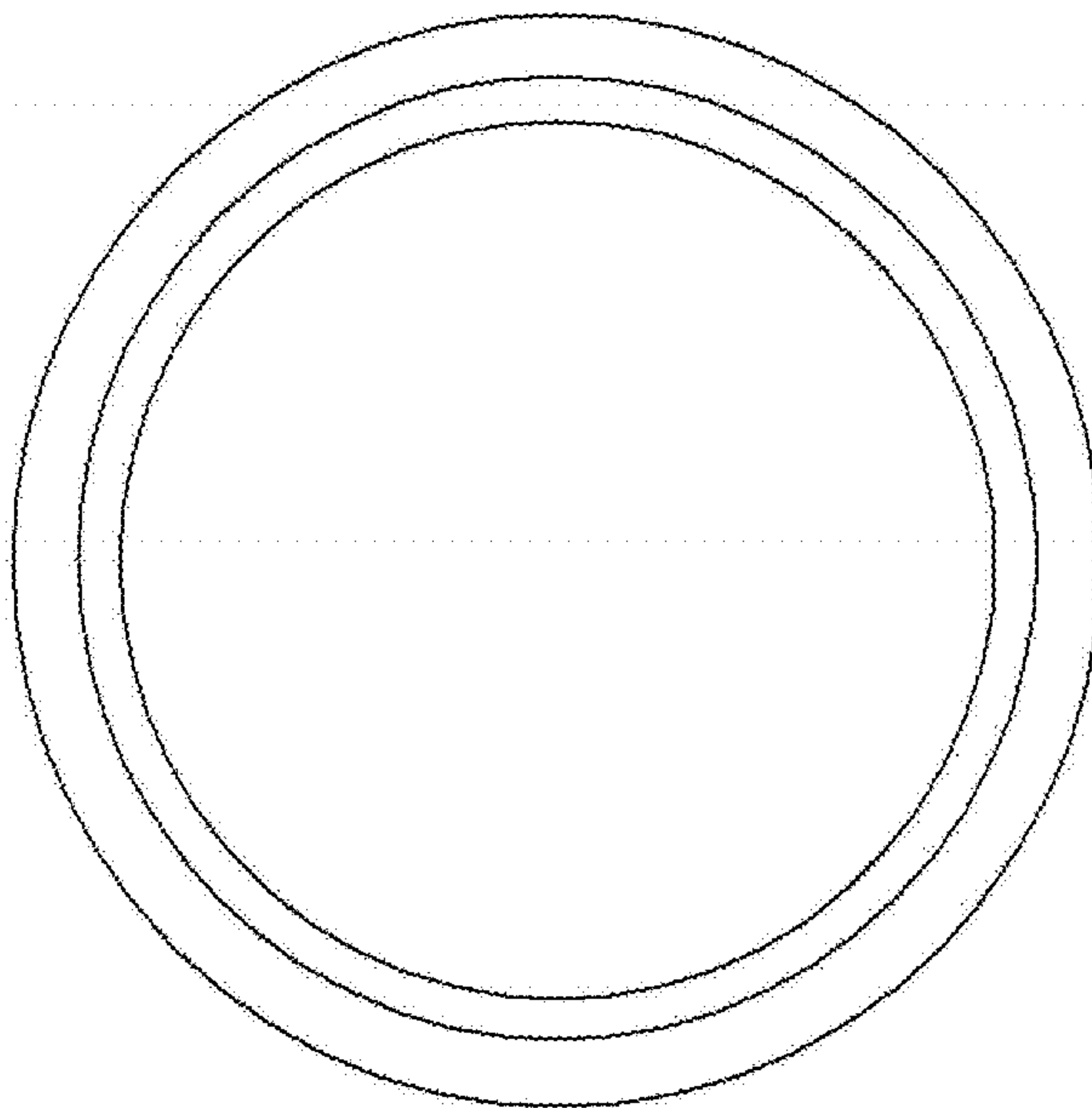


FIG. 8

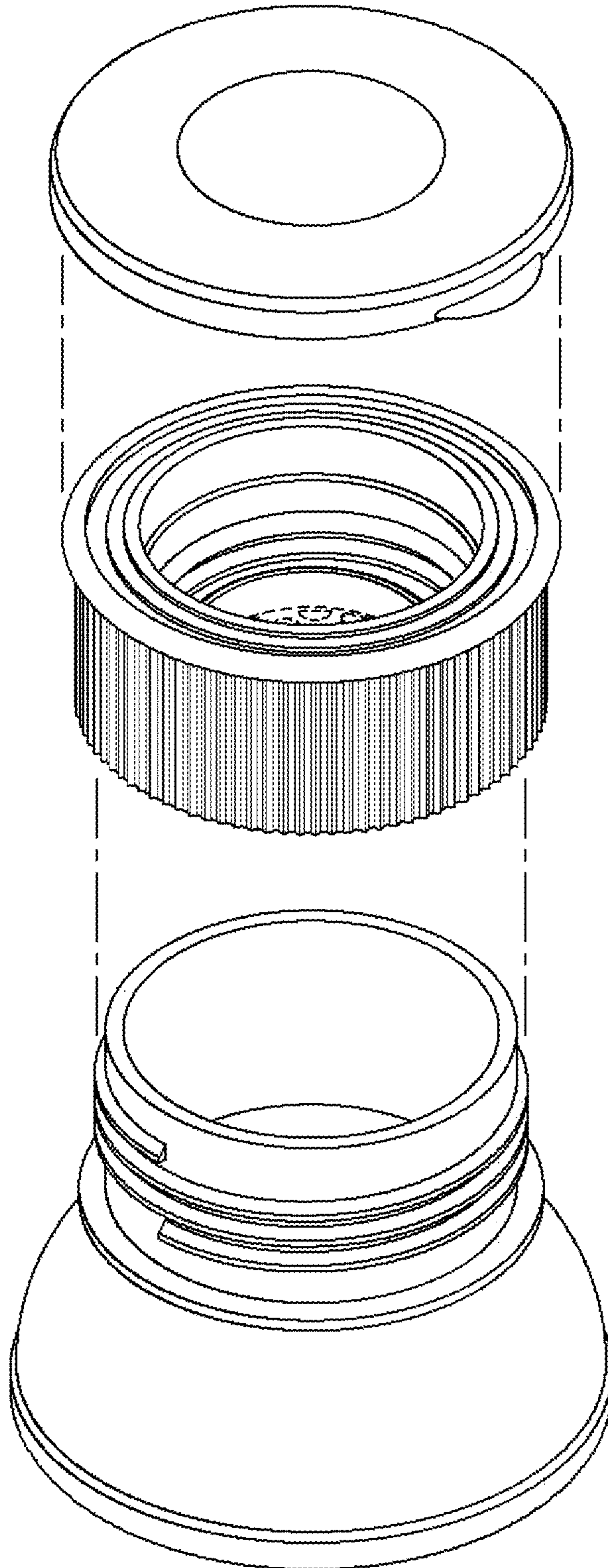


FIG. 9

