



US00D904193S

(12) **United States Design Patent** (10) **Patent No.:** **US D904,193 S**
Da Barp (45) **Date of Patent:** **** Dec. 8, 2020**

- (54) **BOTTLE**
- (71) Applicant: **Axium Plastics, LLC**, New Albany, OH (US)
- (72) Inventor: **Ivan Da Barp**, New Albany, OH (US)
- (73) Assignee: **Axium Packaging LLC**, New Albany, OH (US)
- (**) Term: **15 Years**
- (21) Appl. No.: **29/643,535**
- (22) Filed: **Apr. 10, 2018**
- (51) **LOC (12) Cl.** **09-01**
- (52) **U.S. Cl.**
USPC **D9/502**
- (58) **Field of Classification Search**
USPC D9/434, 500, 502-503, 516, 530-531, D9/537-548, 549, 550, 556-558, 715, D9/719
CPC B65D 1/00; B65D 1/02; B65D 1/0223; B65D 1/44; B65D 23/00; B65D 23/102; B65D 2501/00; B65D 2501/0009; B65D 2501/0018; B65D 2501/0036
See application file for complete search history.

- D611,816 S * 3/2010 Bangi D9/502
- D641,244 S * 7/2011 Bysick D9/502
- D641,629 S * 7/2011 Miceli D9/502
- 2007/0012650 A1 * 1/2007 Eble B65D 1/0223 215/382

* cited by examiner

Primary Examiner — Dana Meyrow
(74) *Attorney, Agent, or Firm* — Porter, Wright, Morris & Arthur, LLP

(57) **CLAIM**

The ornamental design for a bottle, as shown and described.

DESCRIPTION

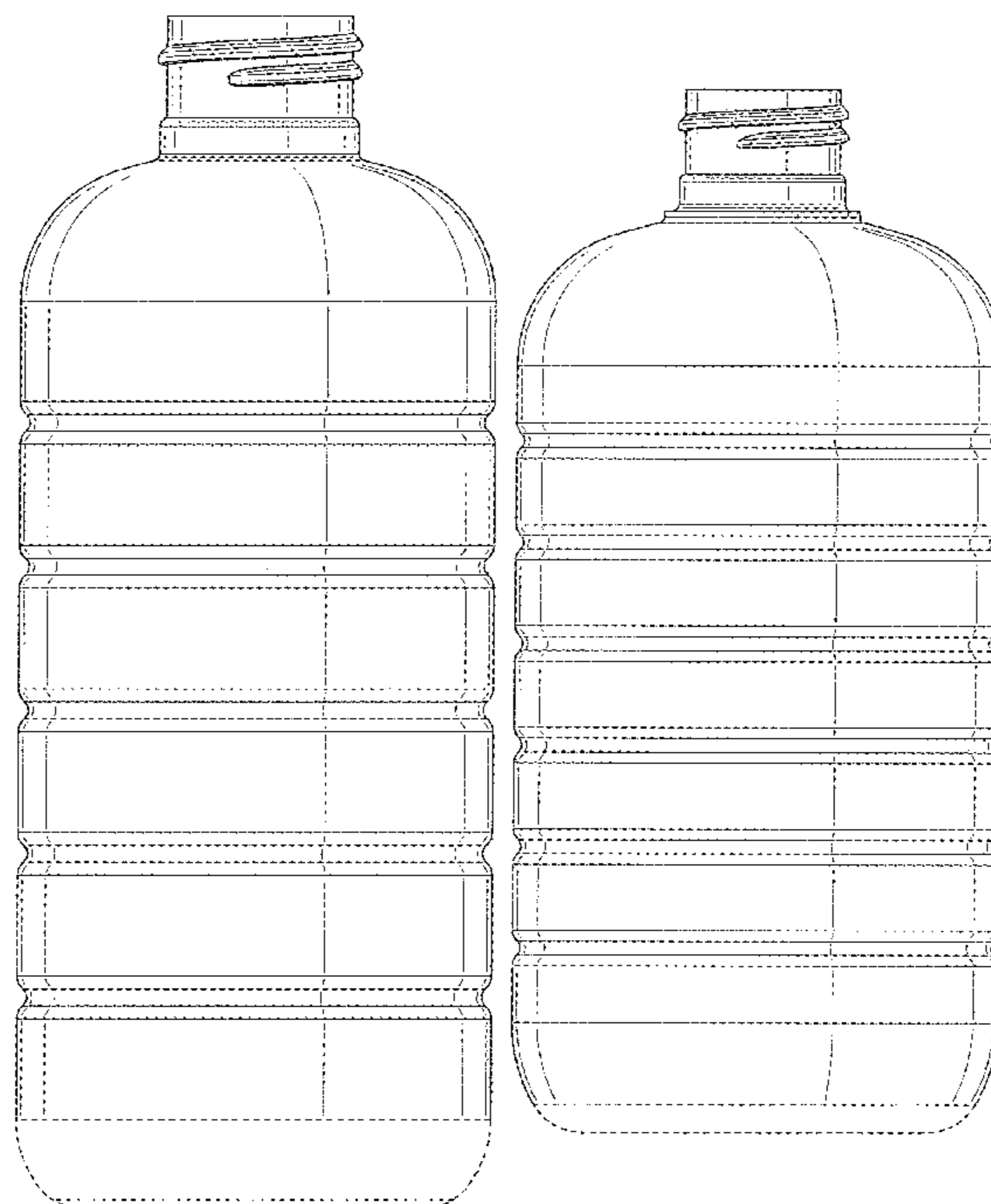
FIG. 1 is a perspective view of a bottle according to a first embodiment of my new design;
 FIG. 2 is front view thereof;
 FIG. 3 is a rear view thereof;
 FIG. 4 is a left side view thereof;
 FIG. 5 is a right side view thereof;
 FIG. 6 is a top view thereof;
 FIG. 7 is bottom view thereof;
 FIG. 8 is an enlarged fragmented view thereof, taken from FIG. 2;
 FIG. 9 is a perspective view of a bottle according to a second embodiment of my new design;
 FIG. 10 is front view thereof;
 FIG. 11 is a rear view thereof;
 FIG. 12 is a left side view thereof;
 FIG. 13 is a right side view thereof;
 FIG. 14 is a top view thereof;
 FIG. 15 is bottom view thereof; and,
 FIG. 16 is an enlarged fragmented view taken from FIG. 10.
 The broken lines in the drawings illustrate the portions of the bottle that form no part of the claimed design.

(56) **References Cited**

U.S. PATENT DOCUMENTS

- D414,700 S * 10/1999 Zogg D9/502
- D418,420 S * 1/2000 Guislain D9/502
- D432,423 S * 10/2000 Rashid D9/502
- D453,003 S * 1/2002 Rashid D9/502
- D457,435 S * 5/2002 Rashid D9/502
- D603,707 S * 11/2009 Lourenco D9/502
- D611,345 S * 3/2010 Bangi D9/502

1 Claim, 16 Drawing Sheets



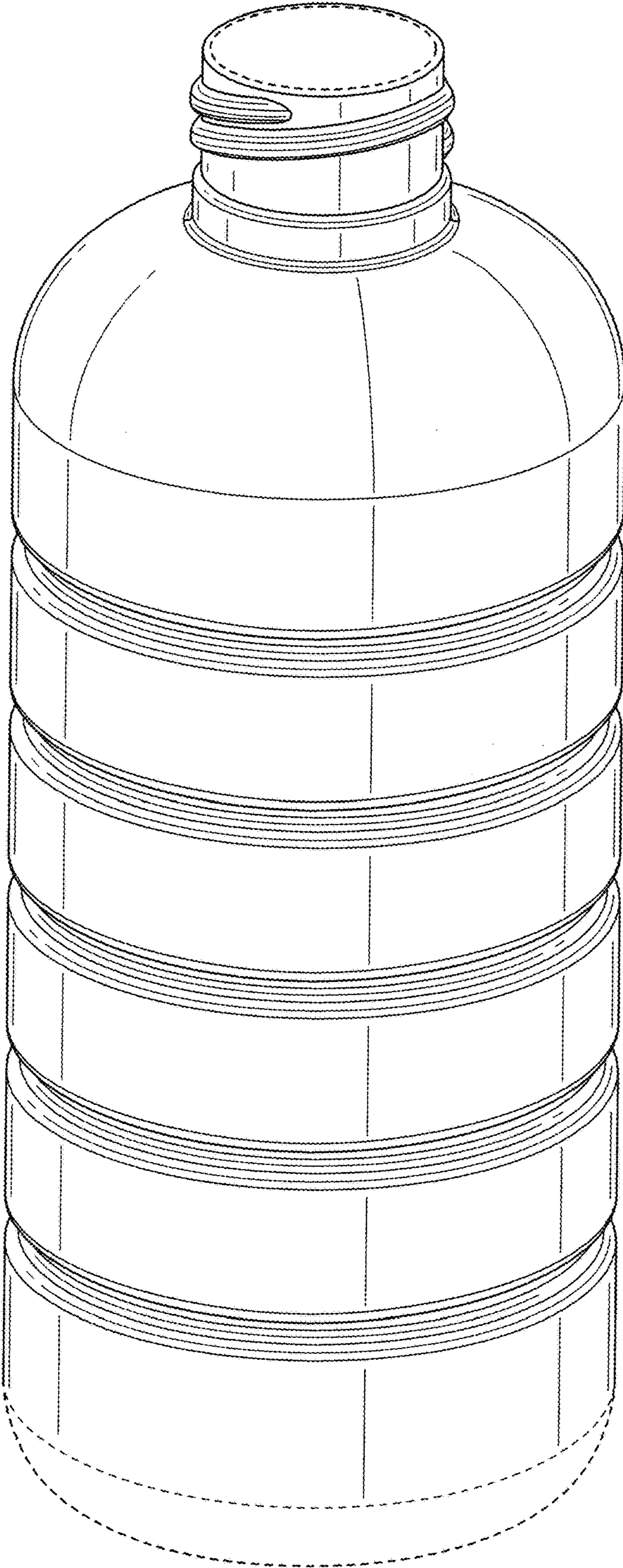


FIG. 1

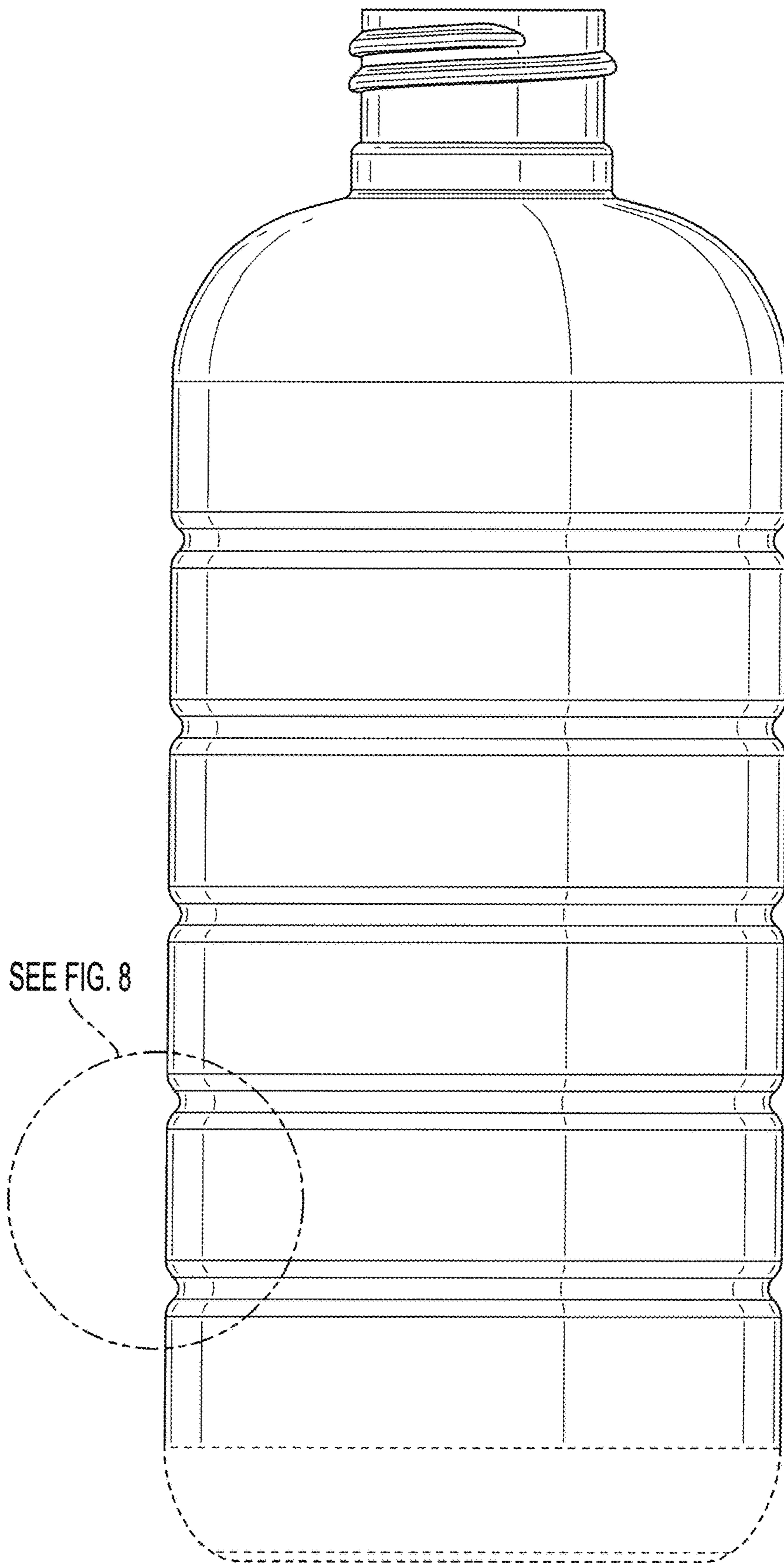


FIG. 2

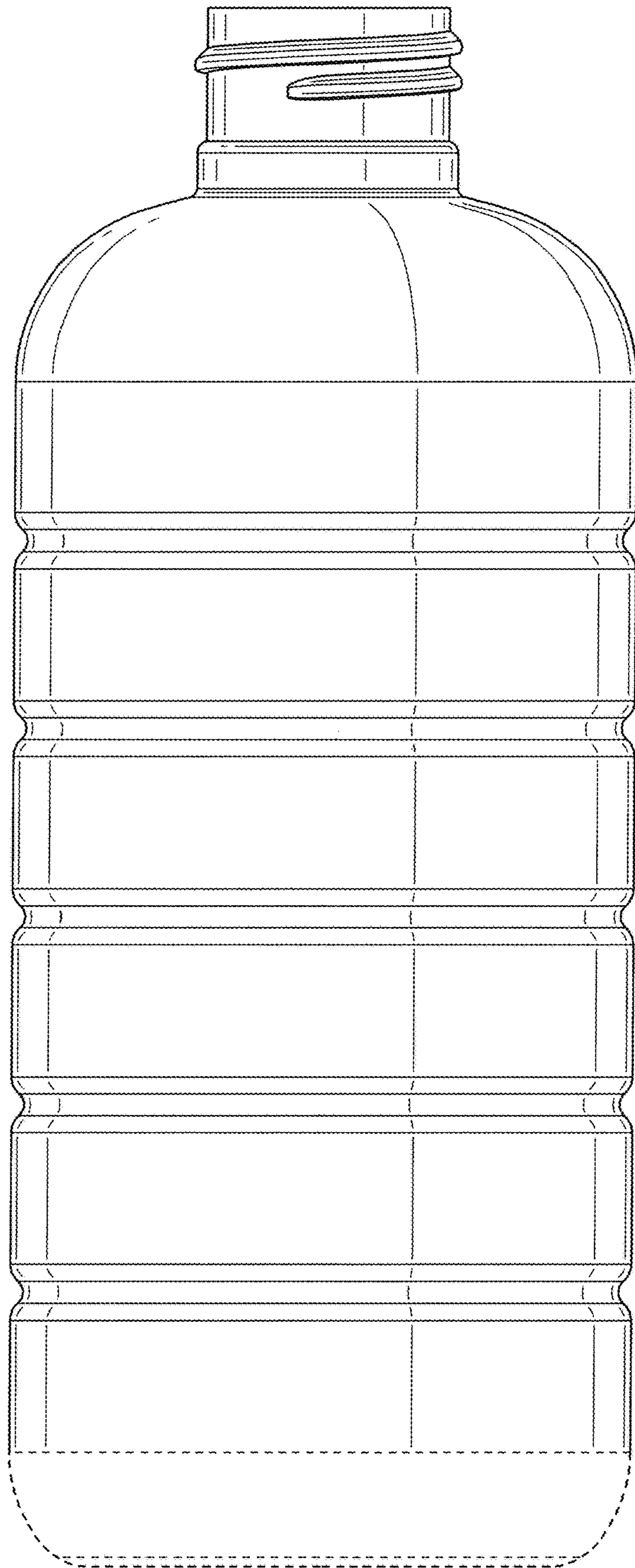


FIG. 3

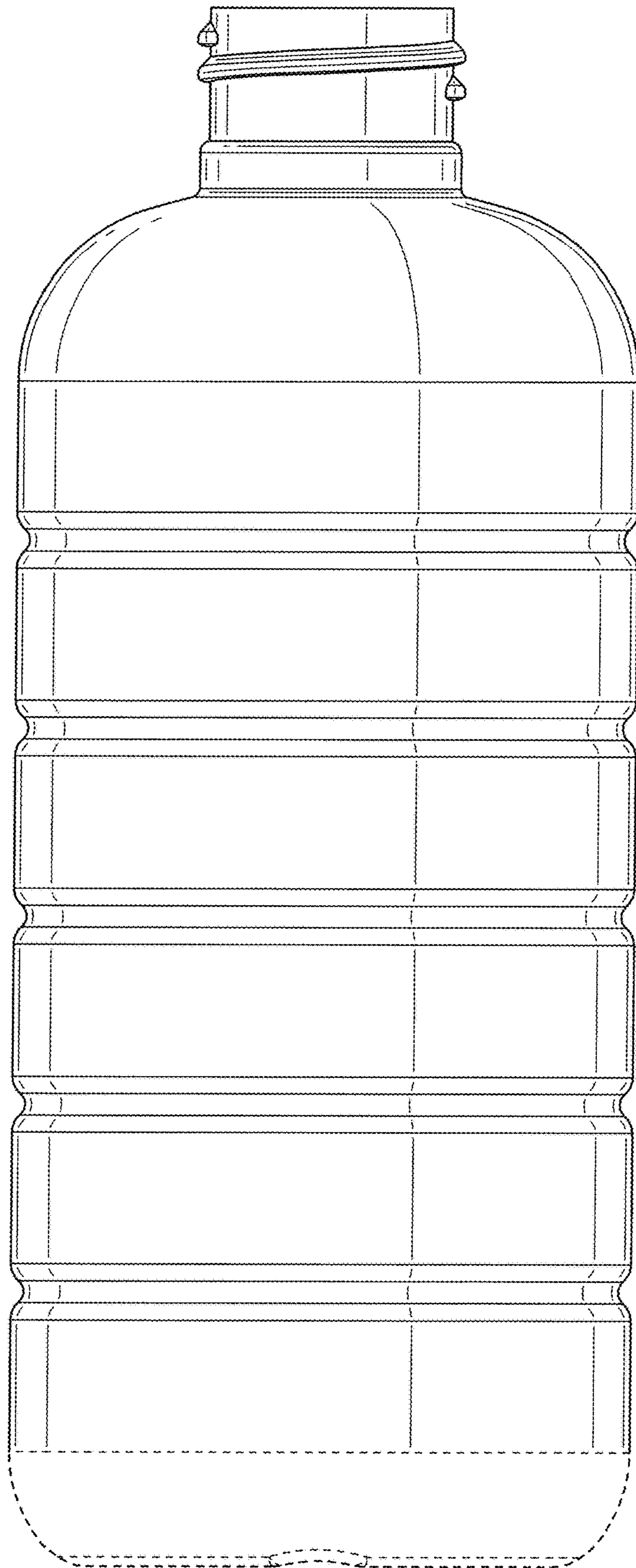


FIG. 4

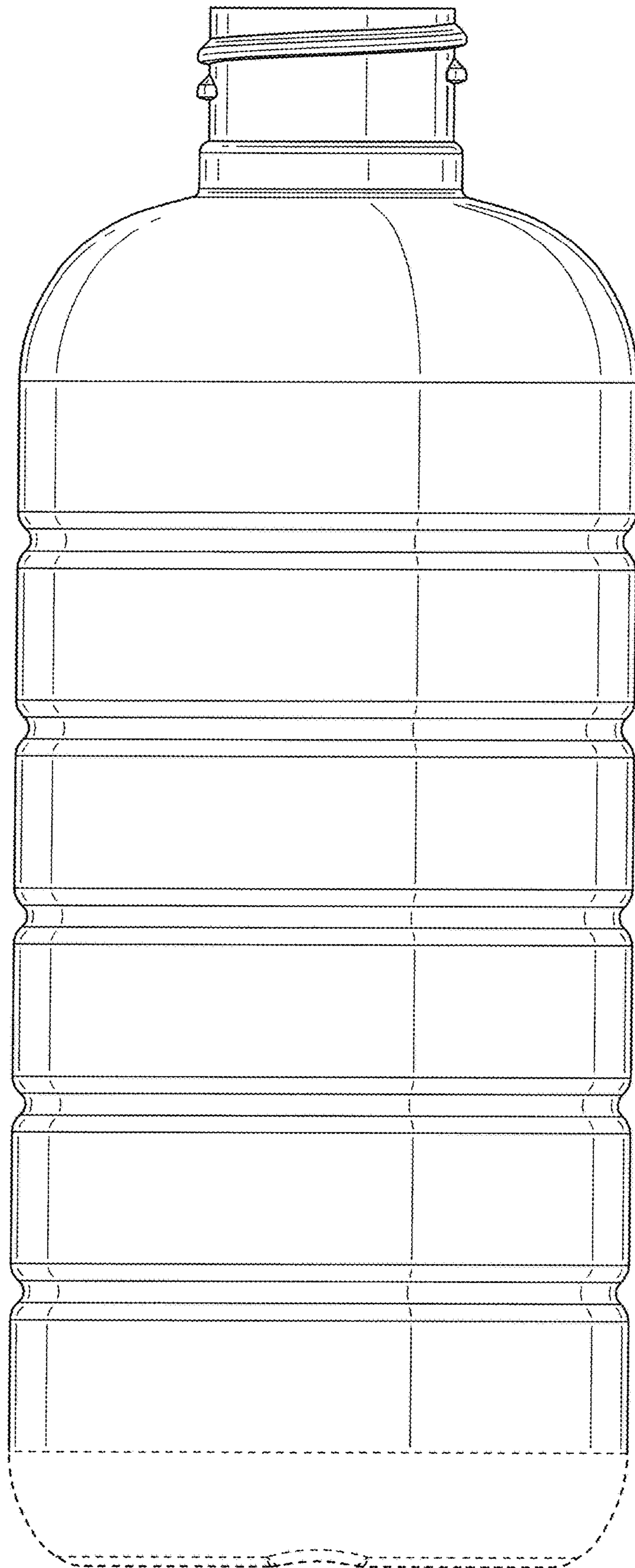


FIG. 5

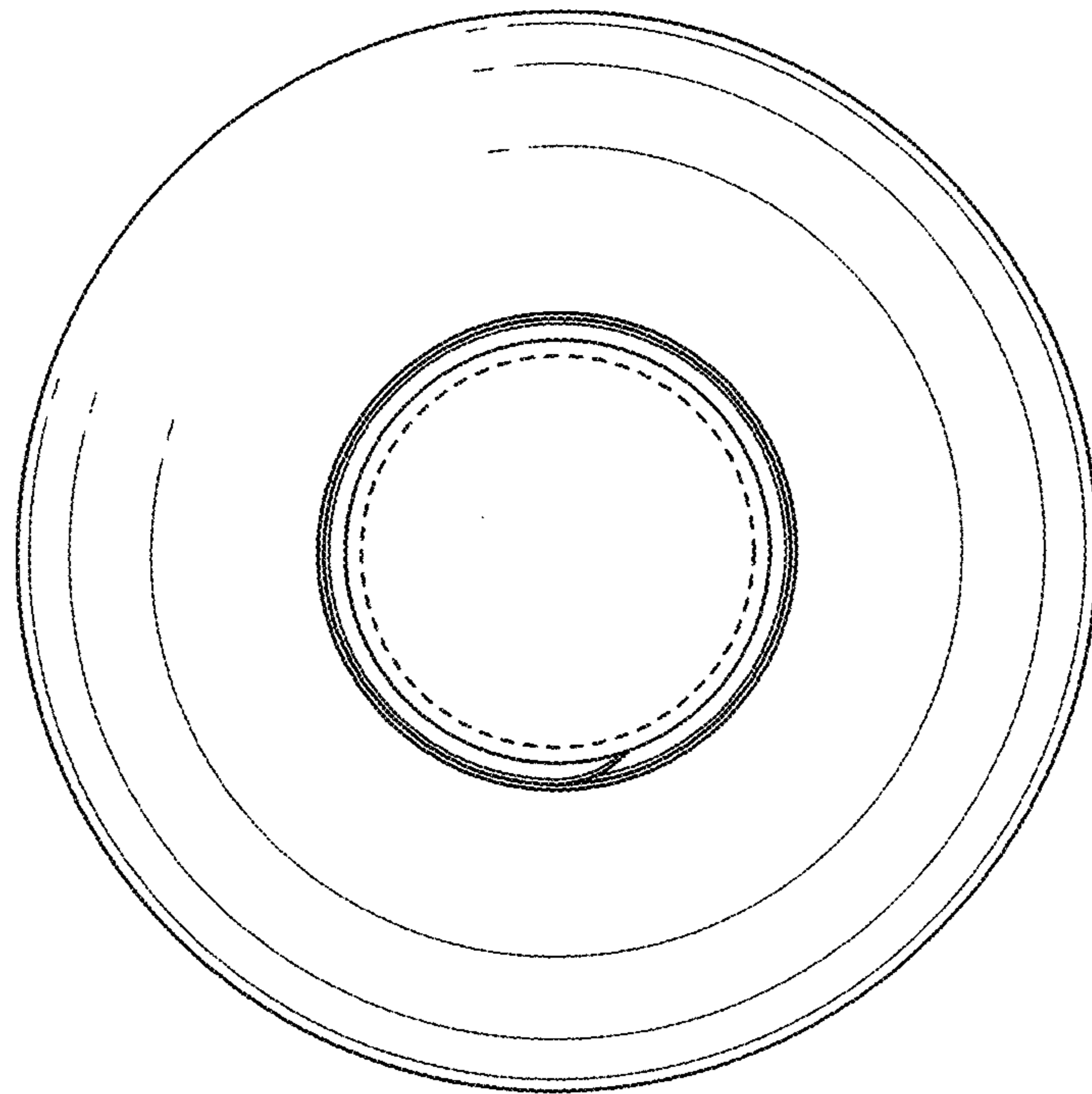


FIG. 6

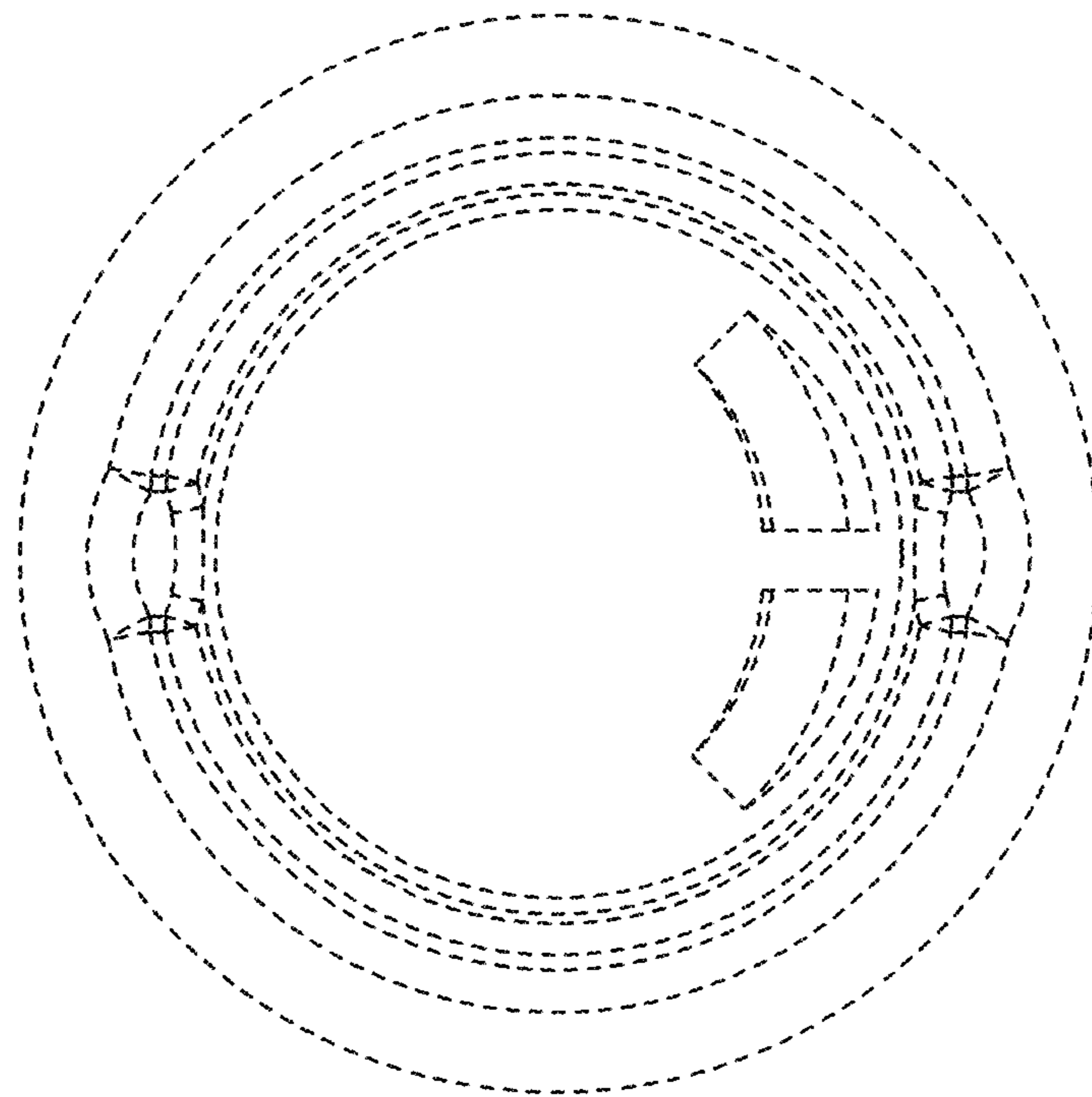


FIG. 7

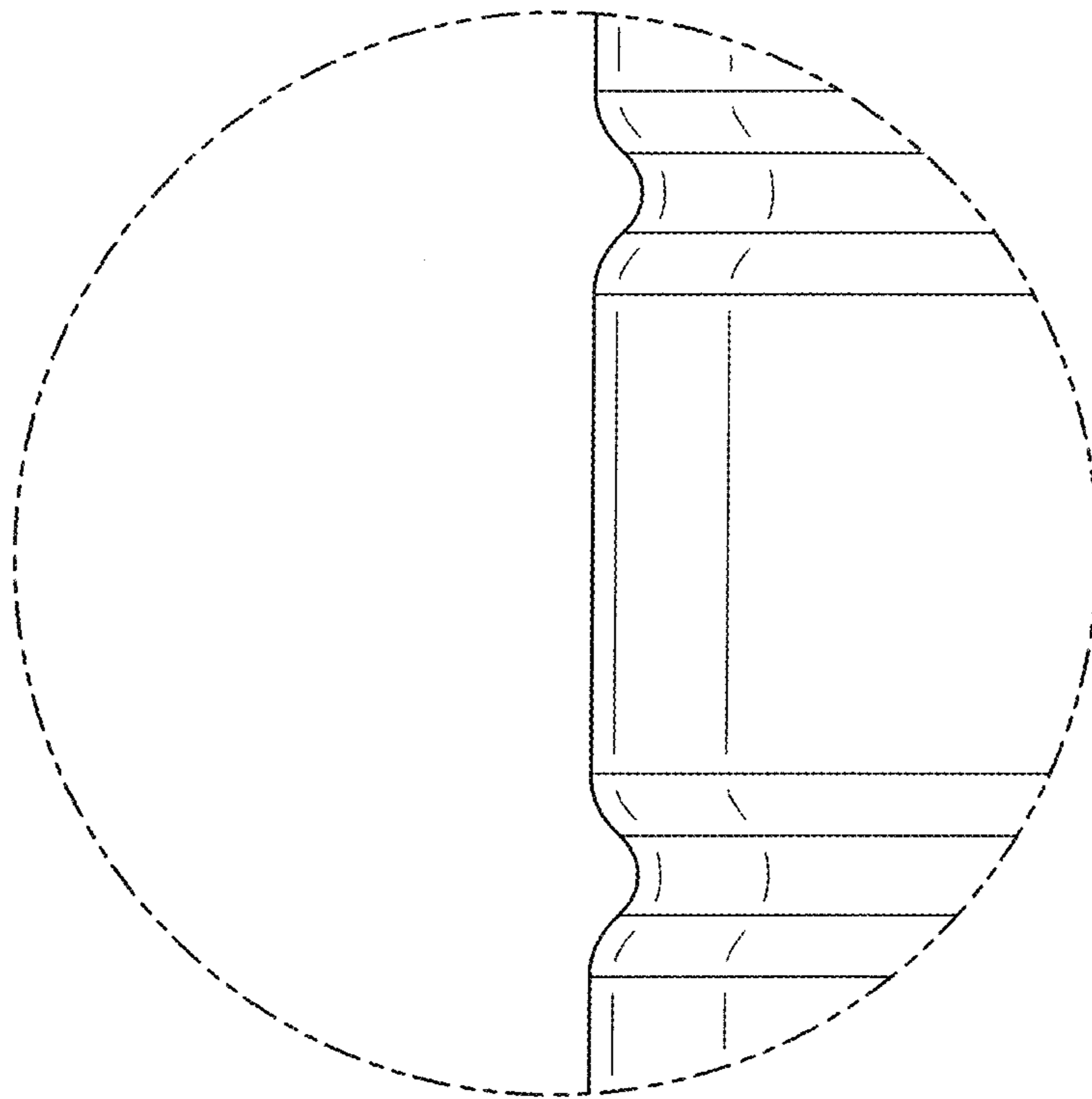


FIG. 8

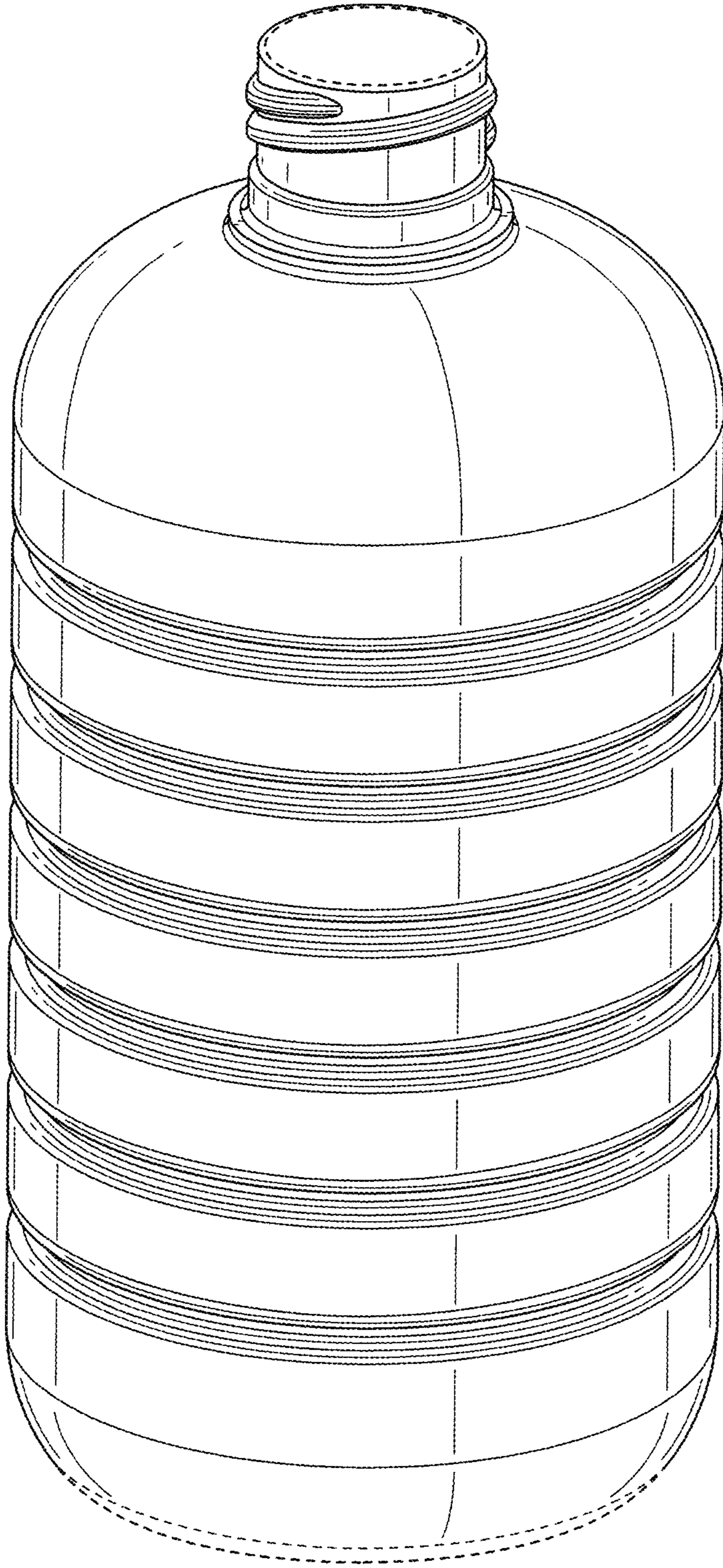


FIG. 9

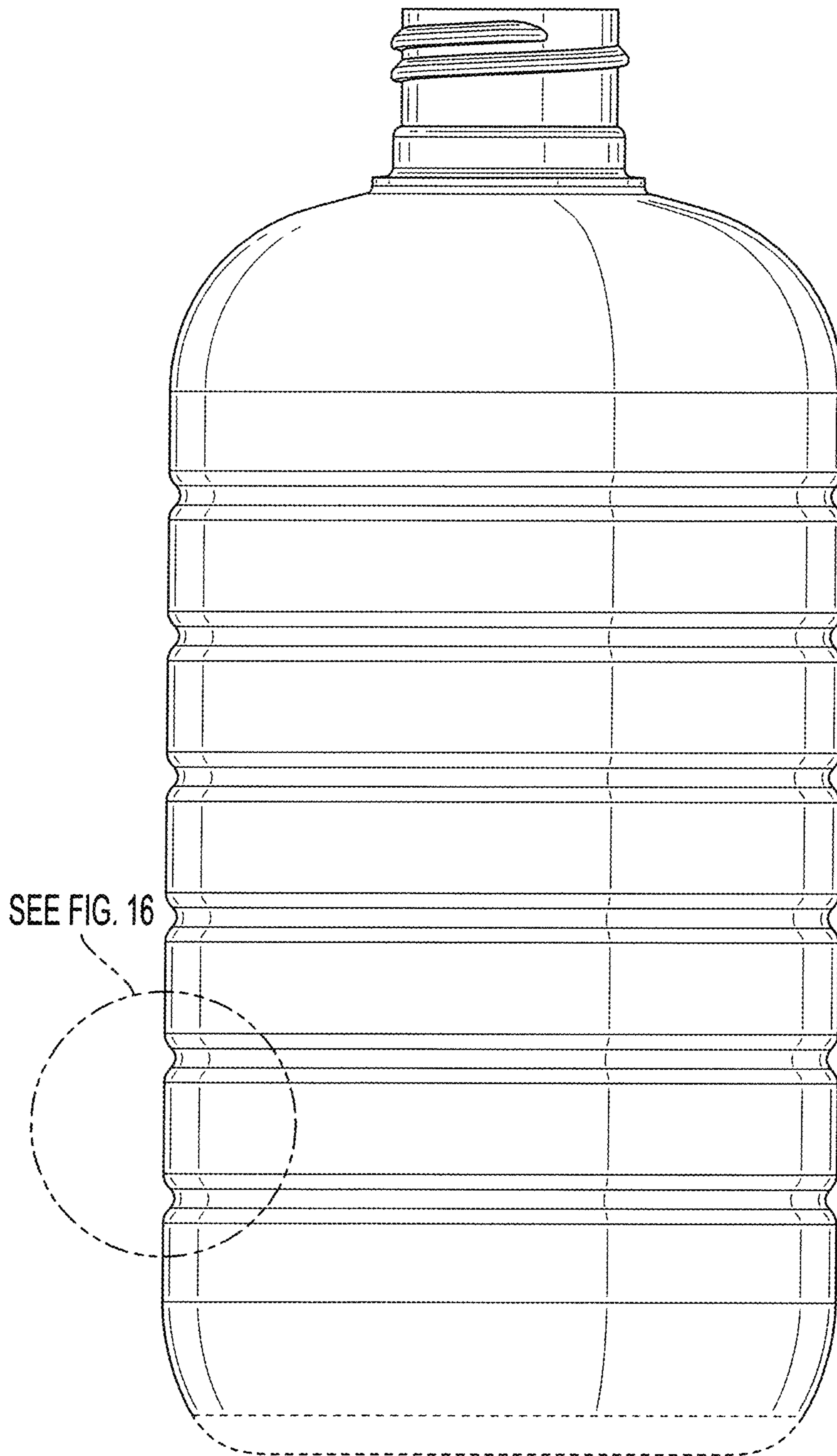


FIG. 10

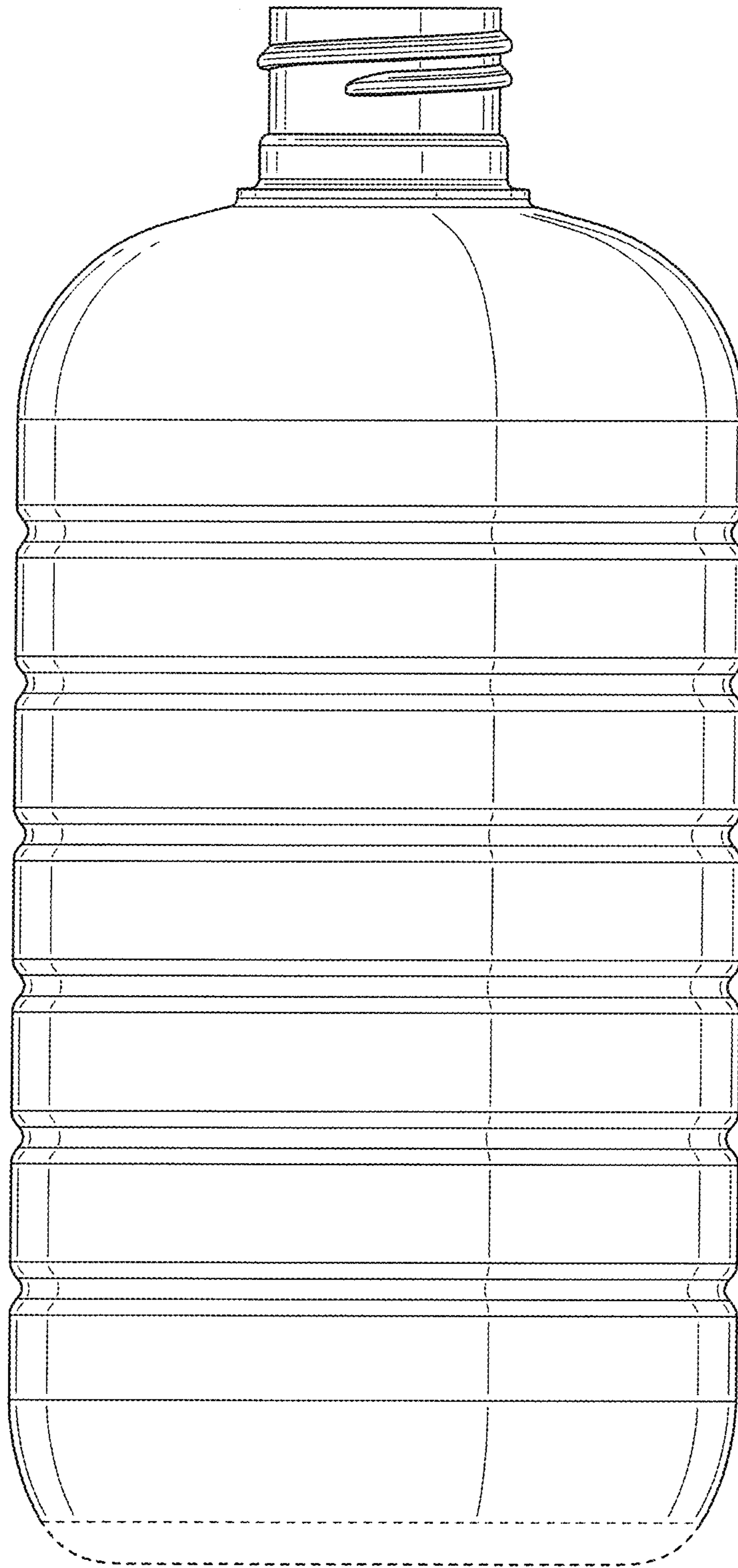


FIG. 11

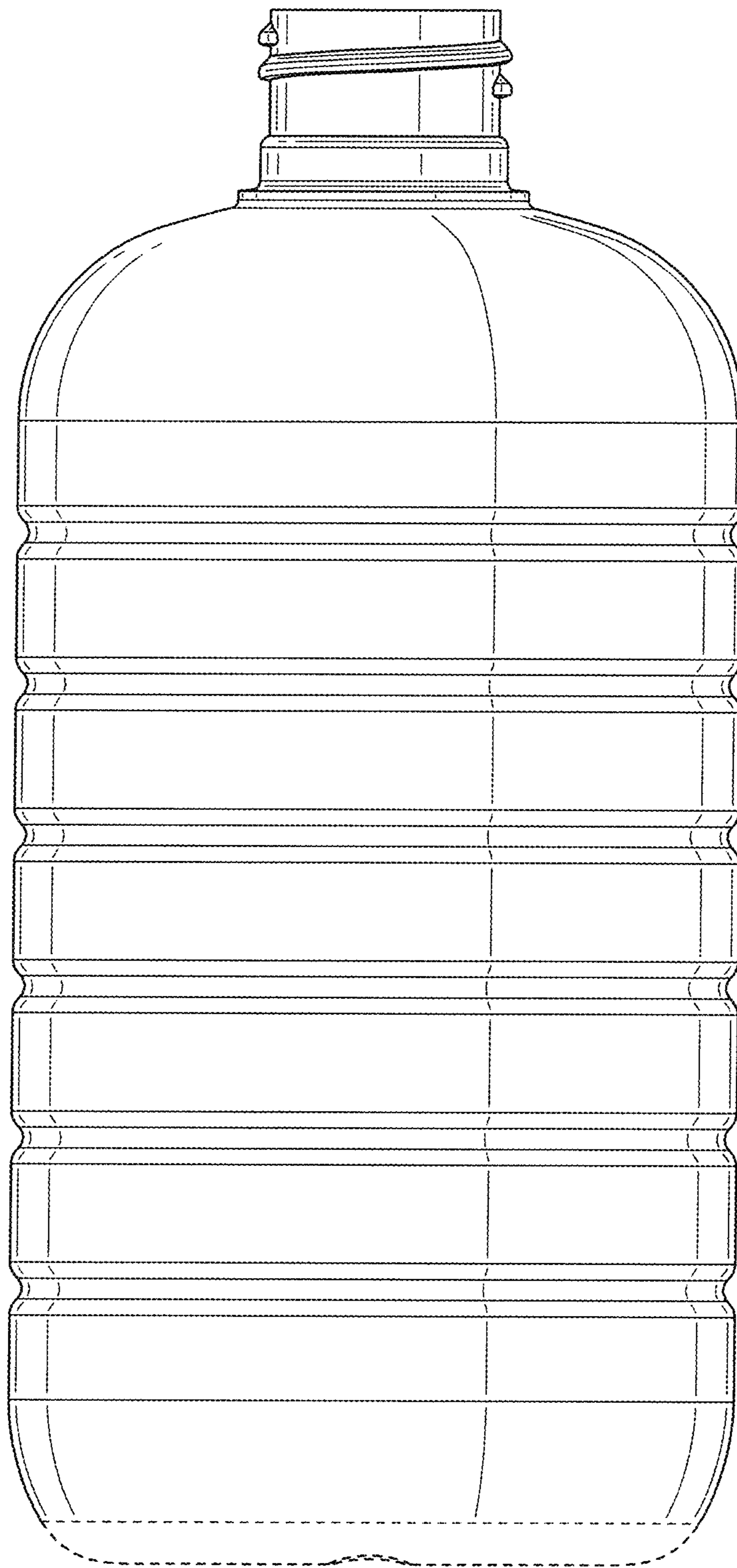


FIG. 12

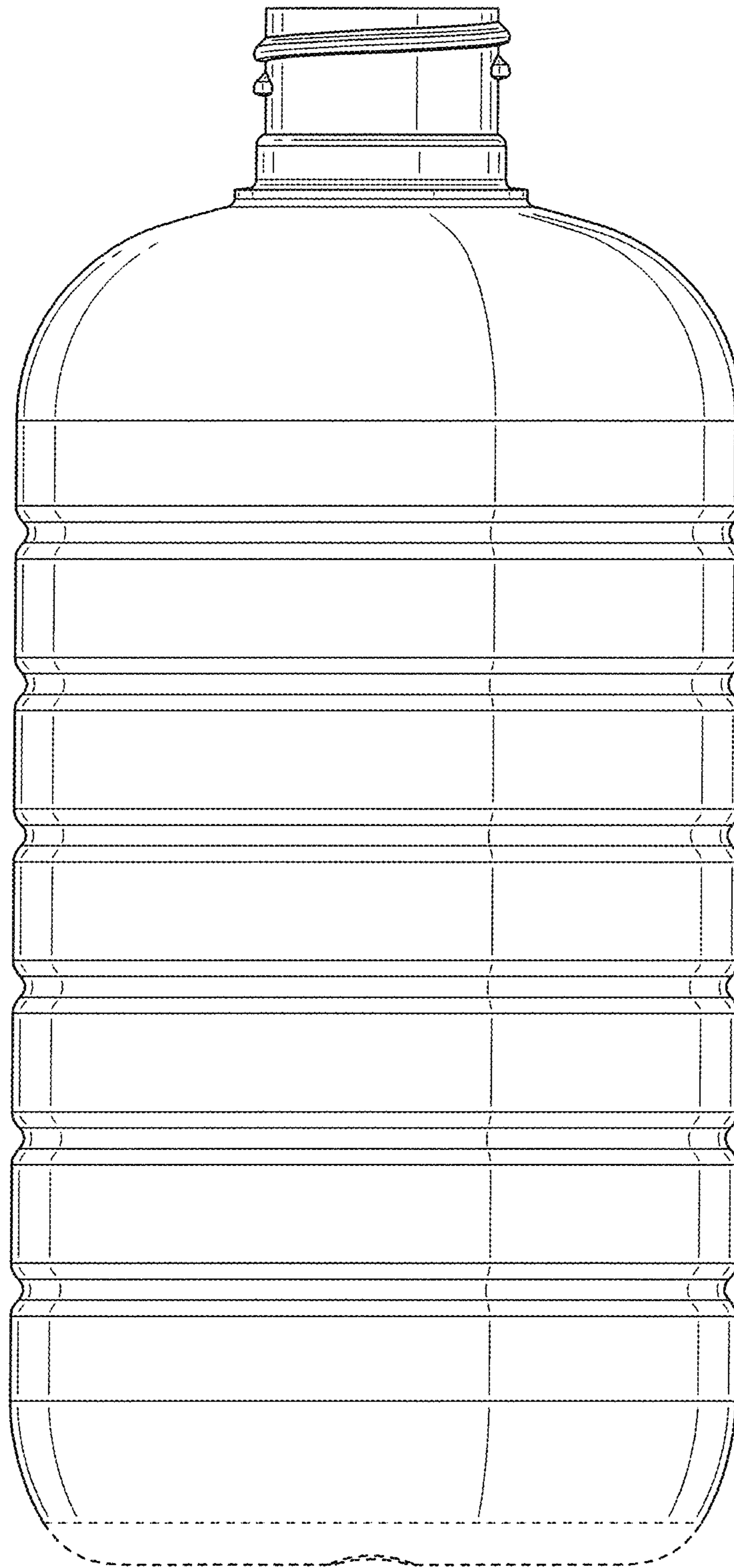


FIG. 13

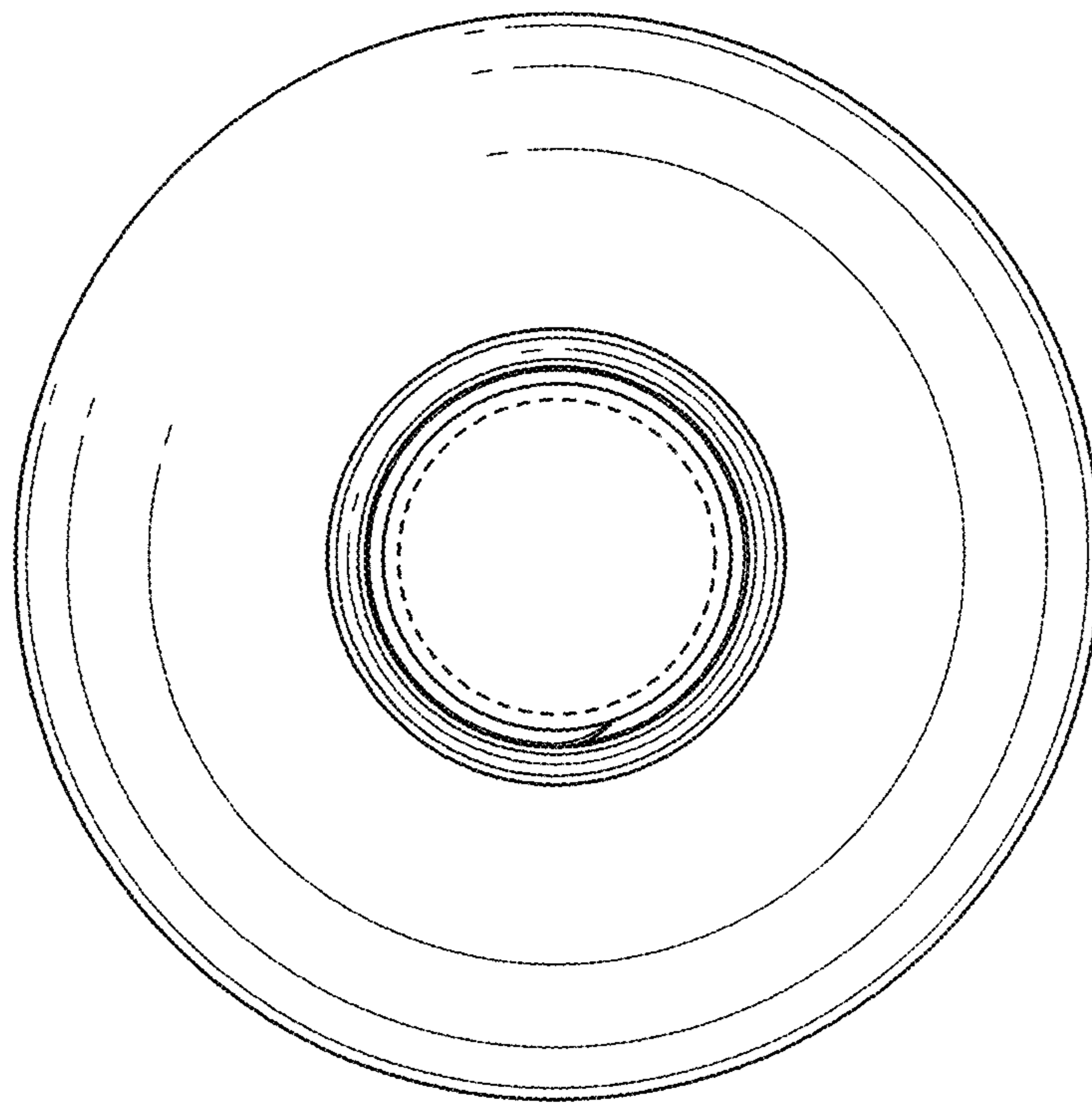


FIG. 14

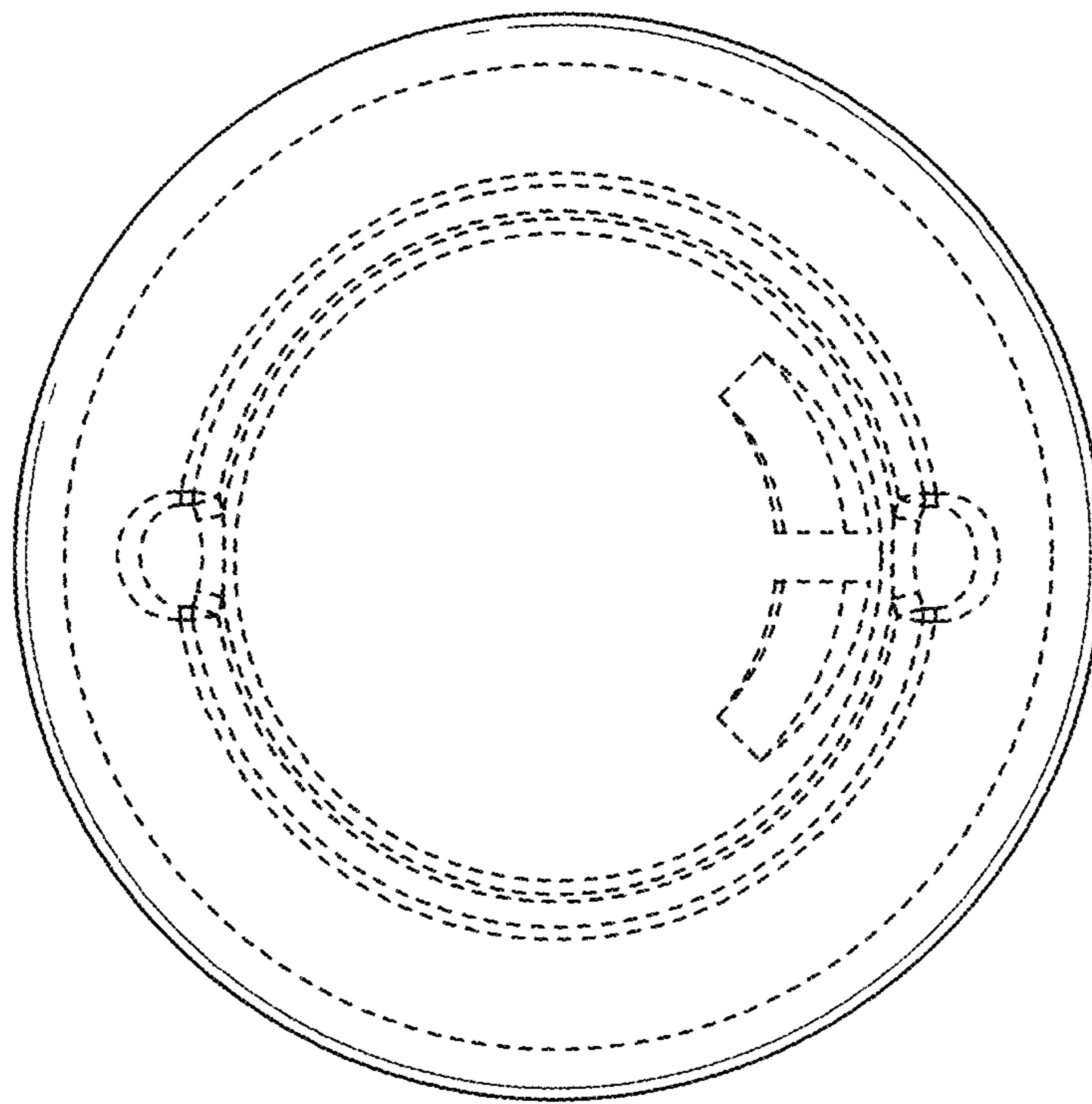


FIG. 15

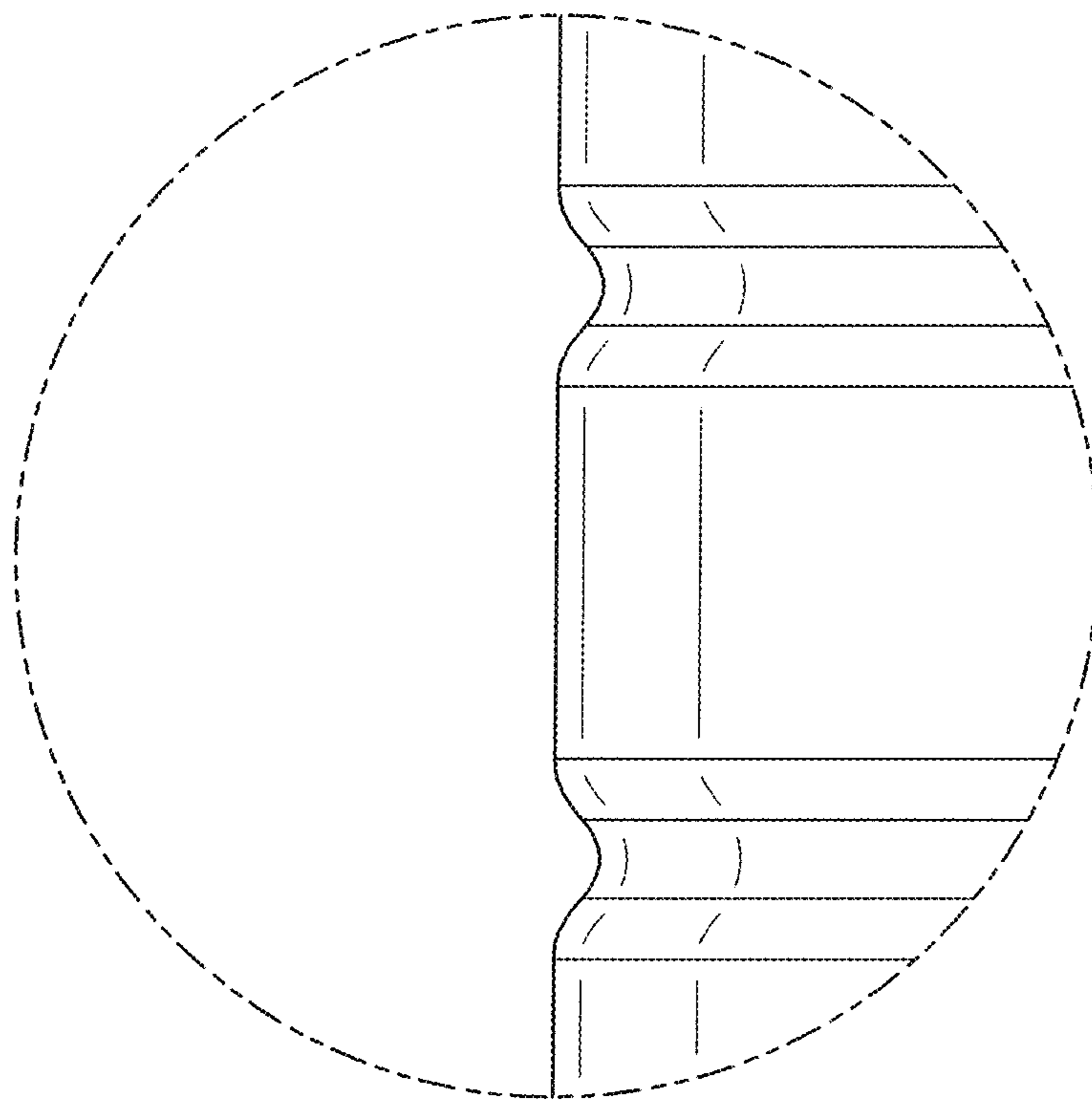


FIG. 16