



US00D904192S

(12) **United States Design Patent** (10) **Patent No.:** **US D904,192 S**
Treviño (45) **Date of Patent:** **** Dec. 8, 2020**

(54) **BOTTLE**

(71) Applicant: **Leobardo Treviño**, Hidalgo, TX (US)

(72) Inventor: **Leobardo Treviño**, Hidalgo, TX (US)

(**) Term: **15 Years**

(21) Appl. No.: **29/653,777**

(22) Filed: **Jun. 19, 2018**

(51) **LOC (12) Cl.** **09-01**

(52) **U.S. Cl.**
USPC **D9/500; D9/520; D9/652**

(58) **Field of Classification Search**
USPC D9/434, 500, 502-505, 516, 530, 537,
D9/539, 545, 549, 558, 715, 719,
D9/763-764; D26/11, 22
CPC B65D 1/00; B65D 1/02; B65D 1/0223;
B65D 23/00; B65D 81/00; B65D
2501/00; B65D 2501/0009
See application file for complete search history.

(56) **References Cited**

U.S. PATENT DOCUMENTS

D424,875 S *	5/2000	Husted	D7/510
D430,777 S *	9/2000	Husted	D7/511
D618,964 S *	7/2010	Eisenhardt	D7/509
D628,857 S *	12/2010	Tatsukawa	D7/608
D697,805 S *	1/2014	You	D9/454

D784,814 S *	4/2017	Rodriguez	D9/500
9,750,360 B2 *	9/2017	Price	C03C 27/10
D801,184 S *	10/2017	Trevino	D9/600
D845,132 S *	4/2019	Otani	D9/503
D854,887 S *	7/2019	Boroski	D7/523

* cited by examiner

Primary Examiner — Dana Meyrow

(74) *Attorney, Agent, or Firm* — Rao DeBoer Osterrieder, PLLC; Erik J. Osterrieder

(57) **CLAIM**

The ornamental design for an bottle, as shown and described.

DESCRIPTION

FIG. 1 is a side elevation view of a bottle showing my new design, the opposing side elevation being identical except for the unclaimed thread;

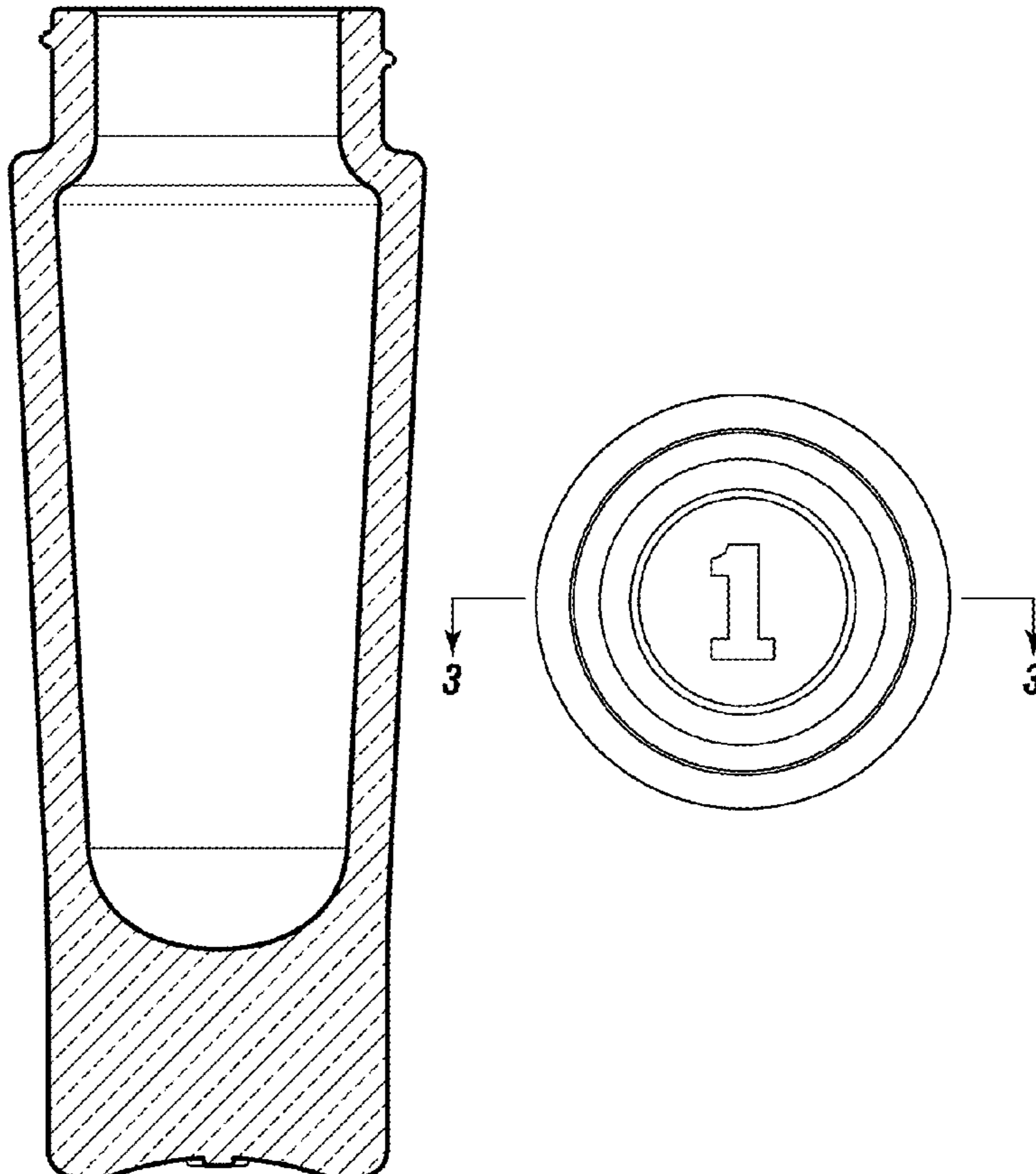
FIG. 2 is a top perspective view thereof;

FIG. 3 is a cross-sectional view taken along the line 3-3 in FIG. 4; and,

FIG. 4 is a bottom plan view thereof.

The broken lines in the drawings illustrate the portions of the bottle that form no part of the claim. Though the bottle is transparent, the opposing side details have been omitted from FIG. 4 plan view for ease of understanding.

1 Claim, 1 Drawing Sheet



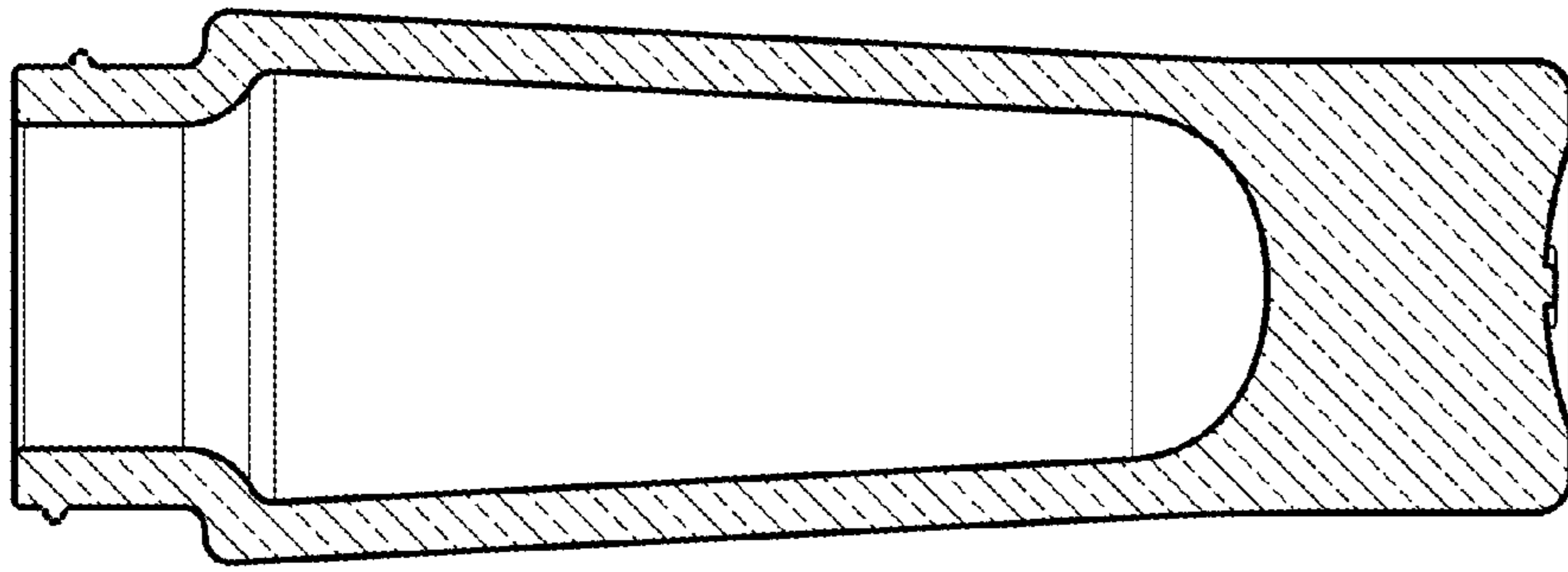


FIGURE 3

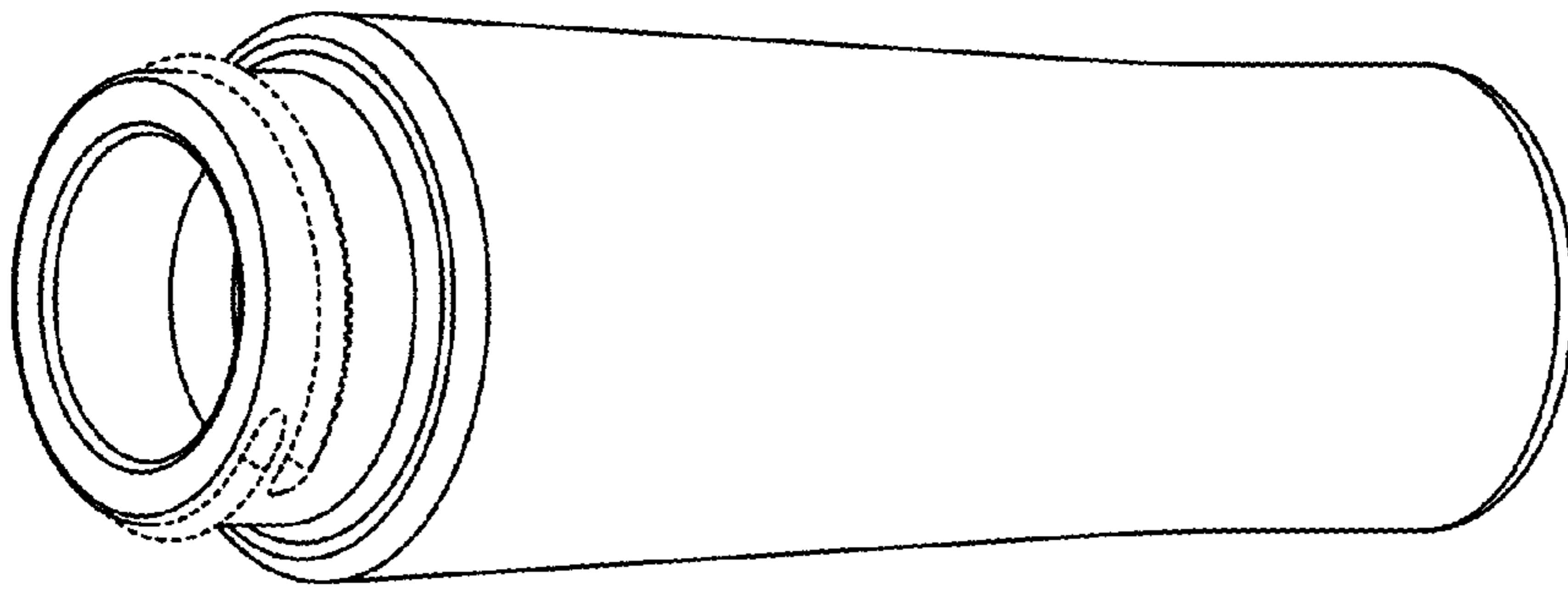


FIGURE 2

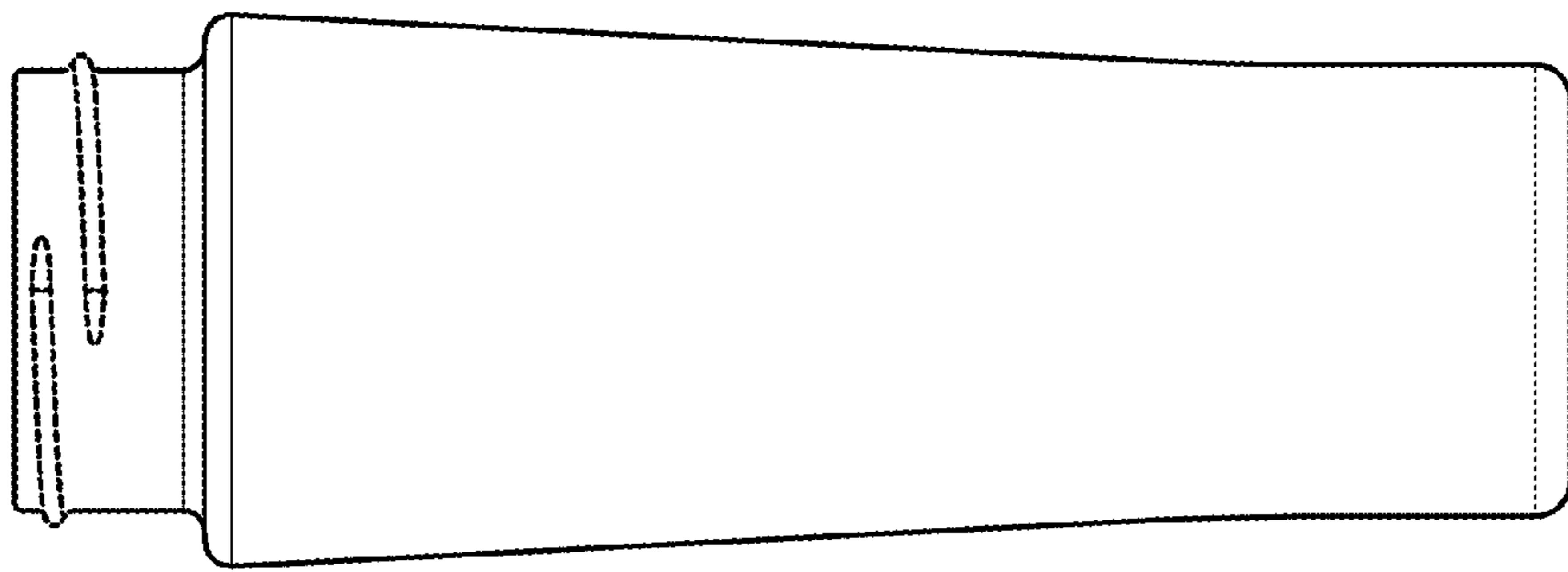


FIGURE 1

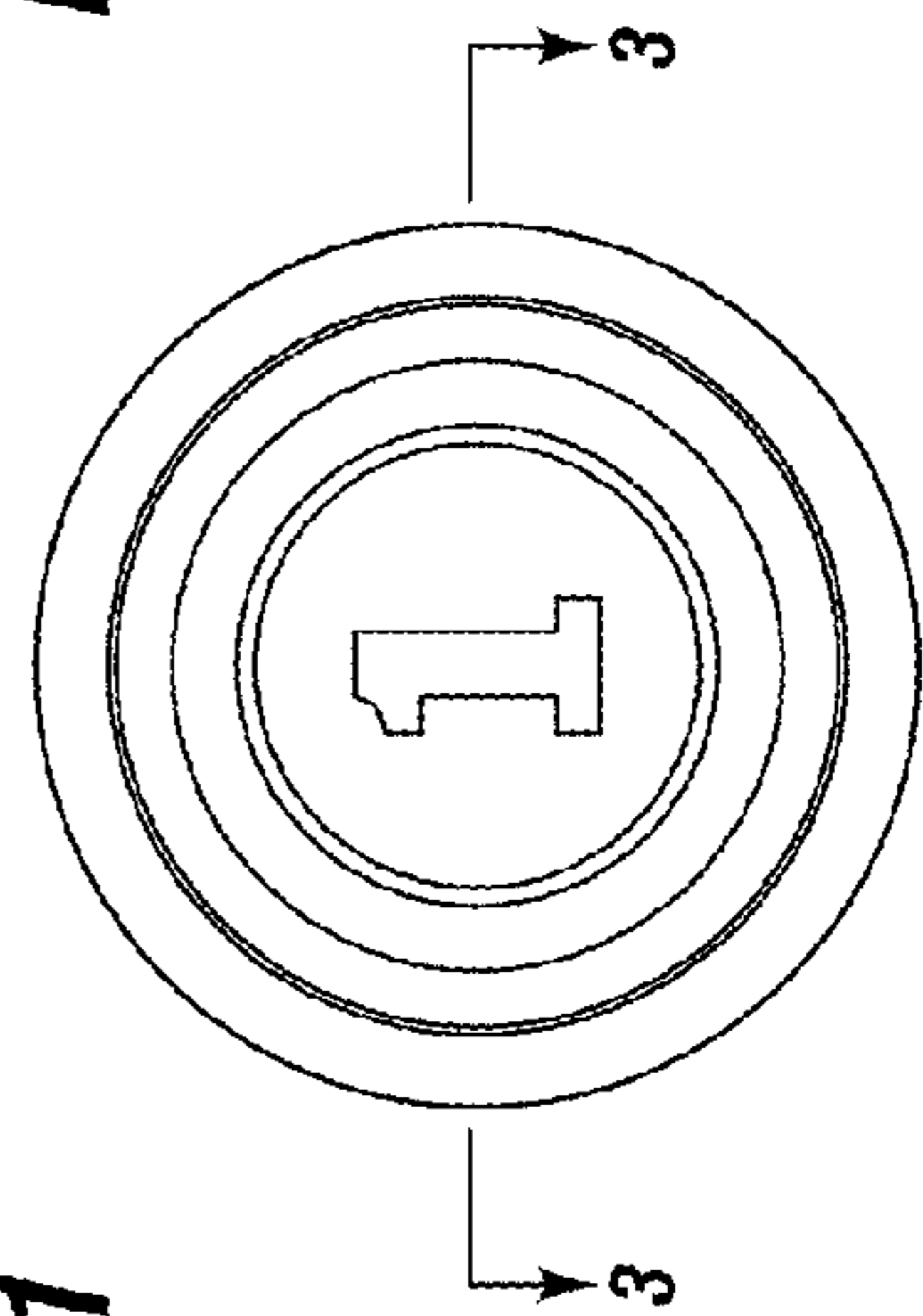


FIGURE 4