



US00D904191S

(12) **United States Design Patent** (10) **Patent No.:** **US D904,191 S**
Nelson (45) **Date of Patent:** **** Dec. 8, 2020**

(54) **SHIPPER INSERT**

(71) Applicant: **INTERNATIONAL PAPER COMPANY**, Memphis, TN (US)

(72) Inventor: **Kent Owen Nelson**, Lees Summit, MO (US)

(73) Assignee: **INTERNATIONAL PAPER COMPANY**, Memphis, TN (US)

(**) Term: **15 Years**

(21) Appl. No.: **29/656,831**

(22) Filed: **Jul. 17, 2018**

(51) **LOC (12) Cl.** **09-07**

(52) **U.S. Cl.**
USPC **D9/456**

(58) **Field of Classification Search**
USPC D3/201, 272, 273, 276, 304, 305, 307, D3/310, 313, 315, 318, 319; D6/300, D6/308, 546, 672, 675, 678, 2; D7/500, D7/550.1, 553.1, 553.2, 553.3, 555, D7/600.1, 601, 354, 359, 388; D9/414, D9/415, 418, 420, 424, 425, 426, 430, D9/432, 433, 434, 455, 456, 457, 499, D9/721, 737, 756, 760, 761, 612, 653, D9/661, 667, 674; D13/103, 118; D19/3, 75, 107; D20/11, 14, 19, 21, 22, D20/27, 40, 42, 43, 44

CPC B65D 5/422; B65D 5/0005; B65D 5/002; B65D 5/009; B65D 5/20; B65D 5/44; B65D 5/56; B65D 81/027; B65D 81/36; B65D 81/38; B65D 21/083; B65D 21/086; B65D 57/00; B65D 61/02; B65D 81/133; B65D 1/24; B65D 1/34; B65D 1/38; B65D 1/335; B65D 77/24; B65D 77/067; B65D 23/00; B65D 23/12; B65D 23/14; B65D 15/08; B65D 65/22; B65D 1/00; B65D 1/02; B65D 1/0233; B65D 1/22; B65D 1/32; B65D

(Continued)

(56) **References Cited**

U.S. PATENT DOCUMENTS

1,898,646 A 2/1933 Taylor
2,074,315 A * 3/1937 Neely B65D 5/6697
229/122.24

(Continued)

FOREIGN PATENT DOCUMENTS

DE 29720278 U1 1/1998
DE 202015007172 U1 11/2015

(Continued)

OTHER PUBLICATIONS

Custom Shipping Inserts (PSI Group); 1-, 2-, and 3- bottle shippers; <http://www.psimd.com/wine-packaging/stock-wine-packaging/specialty-insterts/>.

(Continued)

Primary Examiner — Catherine S Posthauer

(74) *Attorney, Agent, or Firm* — Bradley Ligibel; Thomas W. Ryan

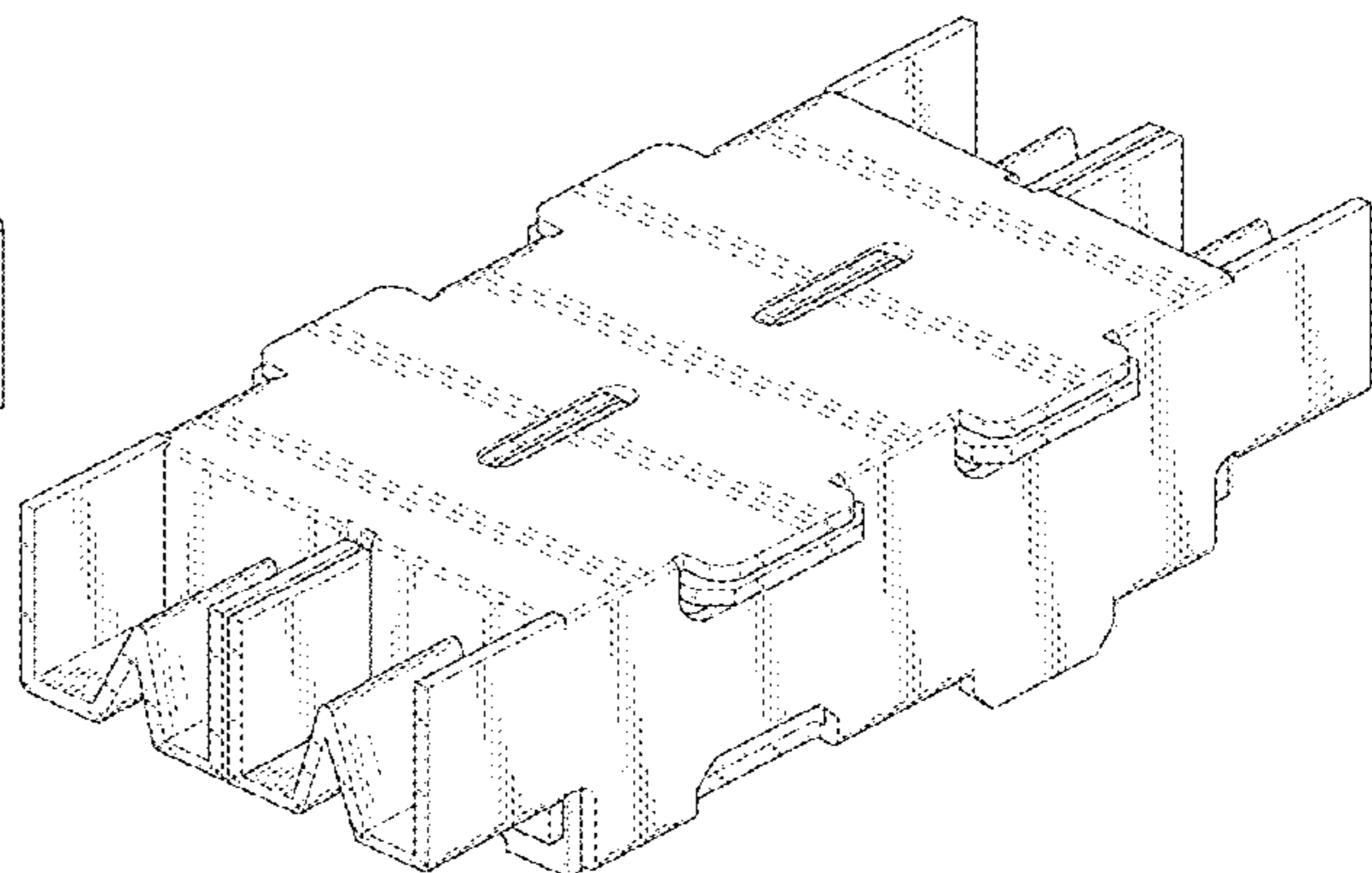
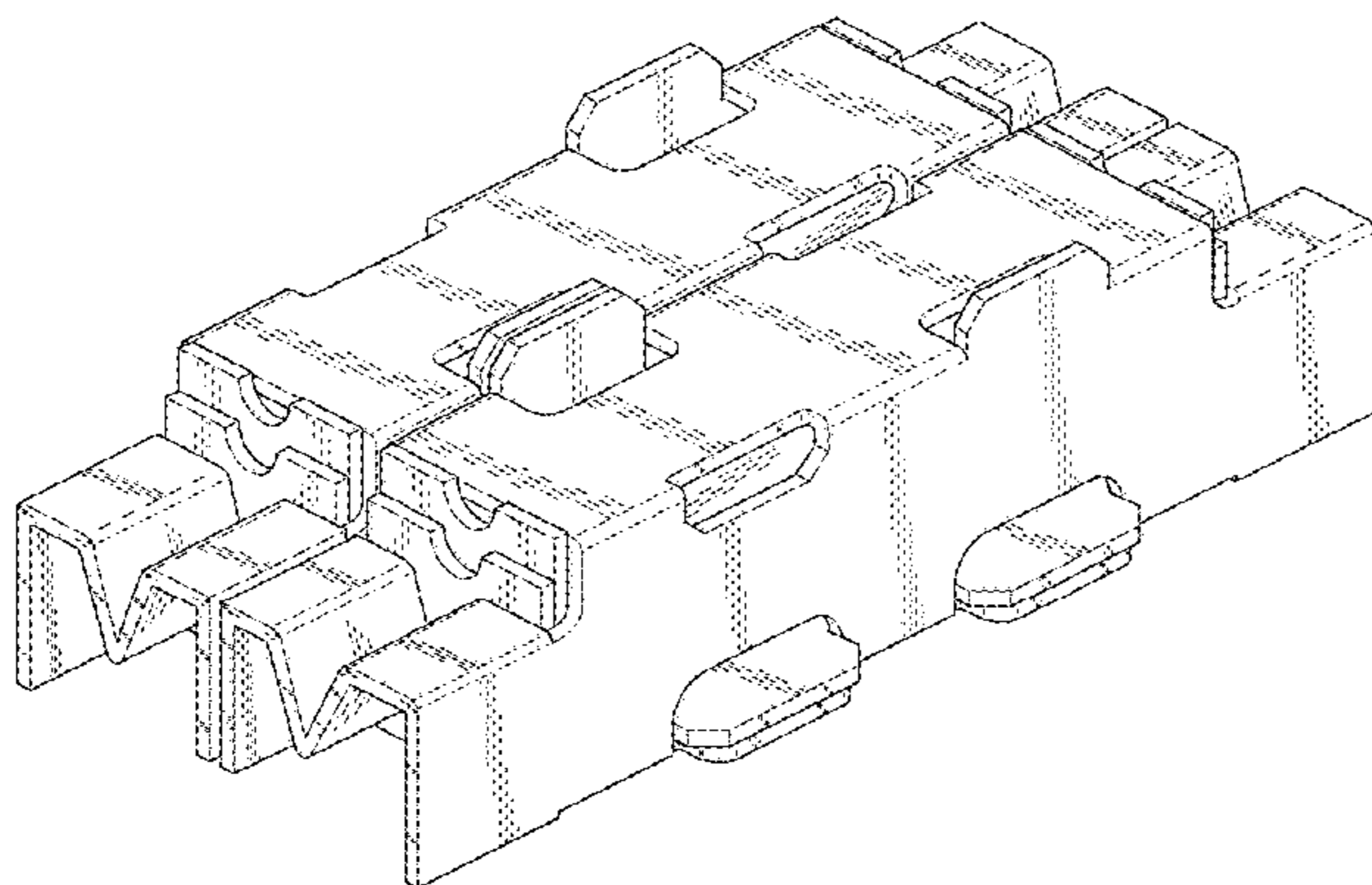
(57) **CLAIM**

The ornamental design for a shipper insert, as shown and described.

DESCRIPTION

FIG. 1 is a perspective view of the top of the shipper insert taken from the front and left side thereof;
FIG. 2 is a perspective view of the bottom of the shipper insert taken from the front and right side thereof;
FIG. 3 is a bottom view thereof;
FIG. 4 is a top view thereof;
FIG. 5 is a right side view thereof;
FIG. 6 is a left side view thereof;
FIG. 7 is a front view thereof; and,
FIG. 8 is a back view thereof.

1 Claim, 7 Drawing Sheets



(58) **Field of Classification Search**
 CPC .. 1/36; B65D 1/40; B65D 1/225; A47J 47/20;
 A47L 13/00; A47L 13/10; A47L 13/12;
 A47L 13/16; A47L 13/17; A47L 13/18
 See application file for complete search history.

(56) **References Cited**

U.S. PATENT DOCUMENTS

2,188,732	A	1/1940	Vogt	
2,299,812	A	10/1942	Ferguson	
2,314,951	A	3/1943	Ringler	
2,377,604	A	6/1945	Belden	
2,421,748	A	6/1947	Fink	
2,507,080	A	5/1950	Acker et al.	
2,692,077	A	10/1954	Kuhlman	
2,749,019	A	6/1956	Ohlund	
2,854,181	A	9/1958	Smith	
2,965,279	A	12/1960	Campbell	
3,055,569	A	9/1962	Layne, Sr.	
3,075,683	A	1/1963	Grossman et al.	
3,240,417	A	3/1966	Andreini	
3,351,261	A	11/1967	Persson	
3,670,949	A	6/1972	Galanes	
3,937,328	A	2/1976	Gordon	
D242,845	S	12/1976	Booth	
D244,584	S	6/1977	Booth	
4,094,455	A	6/1978	Bamburg et al.	
4,101,048	A	7/1978	Rieben	
4,294,397	A	10/1981	Kohler	
D262,945	S *	2/1982	Lytra	D9/415
4,450,965	A	5/1984	Paillet	
4,770,339	A	9/1988	Weimer	
4,883,221	A	11/1989	Brundage	
4,911,355	A	3/1990	Bannister	
4,921,099	A	5/1990	Trauschke	
5,000,376	A	3/1991	Wojdyla	
5,335,846	A	8/1994	Smith et al.	
5,361,975	A	11/1994	Droste	
D380,613	S *	7/1997	Apps	D3/307
5,730,289	A	3/1998	Cappels	
D415,680	S	10/1999	Sheffer	
5,967,320	A	10/1999	Cappels	
6,227,441	B1	5/2001	Sagel et al.	
6,247,593	B1	6/2001	Ruble	
6,296,178	B1	10/2001	McKenna, Sr.	
6,474,473	B2	11/2002	Wong	
6,666,333	B2	12/2003	Auclair	
6,877,606	B2	4/2005	Hardy	
D526,897	S	8/2006	Keberlein	
7,207,473	B2	4/2007	Fry	
D552,988	S *	10/2007	Kisch	D9/756
D608,634	S *	1/2010	Riedi	D9/432
D652,295	S	1/2012	Hipperson	
D655,601	S	3/2012	Daley	
D656,394	S	3/2012	Smith	
D662,350	S *	6/2012	Lee	D7/354
8,205,787	B2 *	6/2012	Panduro, Jr.	B65D 5/0015 229/143
8,230,997	B1	7/2012	McWilliams et al.	
8,523,048	B1	9/2013	Spiegelman	
D694,106	S	11/2013	Fitzwater	
D695,635	S	12/2013	Tokoi	
D719,442	S	12/2014	Lucht	
D727,142	S *	4/2015	Bankowski	D9/418
D736,619	S	8/2015	Parkes	
D738,157	S *	9/2015	Krumm	D7/354
D747,193	S	1/2016	Melistas	
D749,944	S *	2/2016	Kummerfeldt	D9/432

D797,554	S	9/2017	Bankowski	
9,896,234	B2	2/2018	Martinez	
D812,467	S	3/2018	Lee	
D812,468	S	3/2018	Carman	
D813,547	S *	3/2018	Wright	D3/319
D813,548	S *	3/2018	Wright	D3/319
D814,927	S	4/2018	Campagnolo	
D819,441	S *	6/2018	Doster	D9/432
D823,109	S	7/2018	Bankowski	
D825,329	S	8/2018	Ross	
D833,862	S *	11/2018	Nelson	D9/418
D836,914	S *	1/2019	Reinhart	D3/318
D842,098	S	3/2019	Ross	
D856,146	S *	8/2019	McKenzie	D9/456
D860,778	S *	9/2019	Dwork	D9/418
D874,267	S *	2/2020	Perella	D9/432
D877,614	S *	3/2020	Sollie	D9/432
2009/0272789	A1	11/2009	Fry	
2010/0133330	A1	6/2010	Spivey, Sr.	
2011/0281705	A1	11/2011	Aganovic	
2013/0153648	A1	6/2013	Smith	
2017/0001793	A1	1/2017	Jiang et al.	
2017/0190461	A1	7/2017	Spivey, Sr.	
2017/0210504	A1	7/2017	Aguirre	
2018/0009564	A1	1/2018	Carman	
2018/0201402	A1 *	7/2018	Nelson	B65D 5/20
2018/0346178	A1	12/2018	Vasbinder	

FOREIGN PATENT DOCUMENTS

EP	0861789	A2	9/1998	
EP	1505002	A1	2/2005	
EP	1574441	A1	9/2005	
EP	2583906	A1	4/2013	
EP	2949588	A1	5/2014	
EP	2848546	B1	12/2016	
EP	3210901	A1	8/2017	
EP	3070016	B1	1/2018	
EP	3056444	B1	3/2018	
ES	2472700	T3	7/2014	
ES	1156358		5/2016	
FR	1042137	A	10/1953	
FR	1204221	A	1/1960	
FR	2562872	A1	10/1985	
FR	2758530	B1	2/2001	
FR	2812858		2/2002	
FR	2816916	A1	5/2002	
FR	2856041		12/2004	
FR	2847228	B1	2/2005	
FR	2949758	A1	3/2011	
FR	2949758	B1	7/2013	
FR	2984852	B1	1/2015	
FR	3043987	A1	12/2017	
GB	365078		1/1932	
GB	883238	A	11/1961	
GB	2116904	A	10/1983	
GB	2375756	A	11/2002	
WO	PCT-01/02258	A1	1/2001	
WO	PCT-02/087980	A1	11/2002	

OTHER PUBLICATIONS

MailSafe Postal Pack (WBC), Individual bottle shipper; <https://www.wbc.co.uk/products/mailesafe-transit-boxes-for-bottles-wine>.
 SafePost Pack (Bectech); Individual bottle shipper; <http://www.bectechpackaging.co.uk/wine-and-bottle-boxes-50-c.asp>.
 TotalWinePack DUO (Font Packaging); 1- and 2- bottle shippers; <https://fontpackaging.com/productos/totalwinepack-duo/>.

* cited by examiner

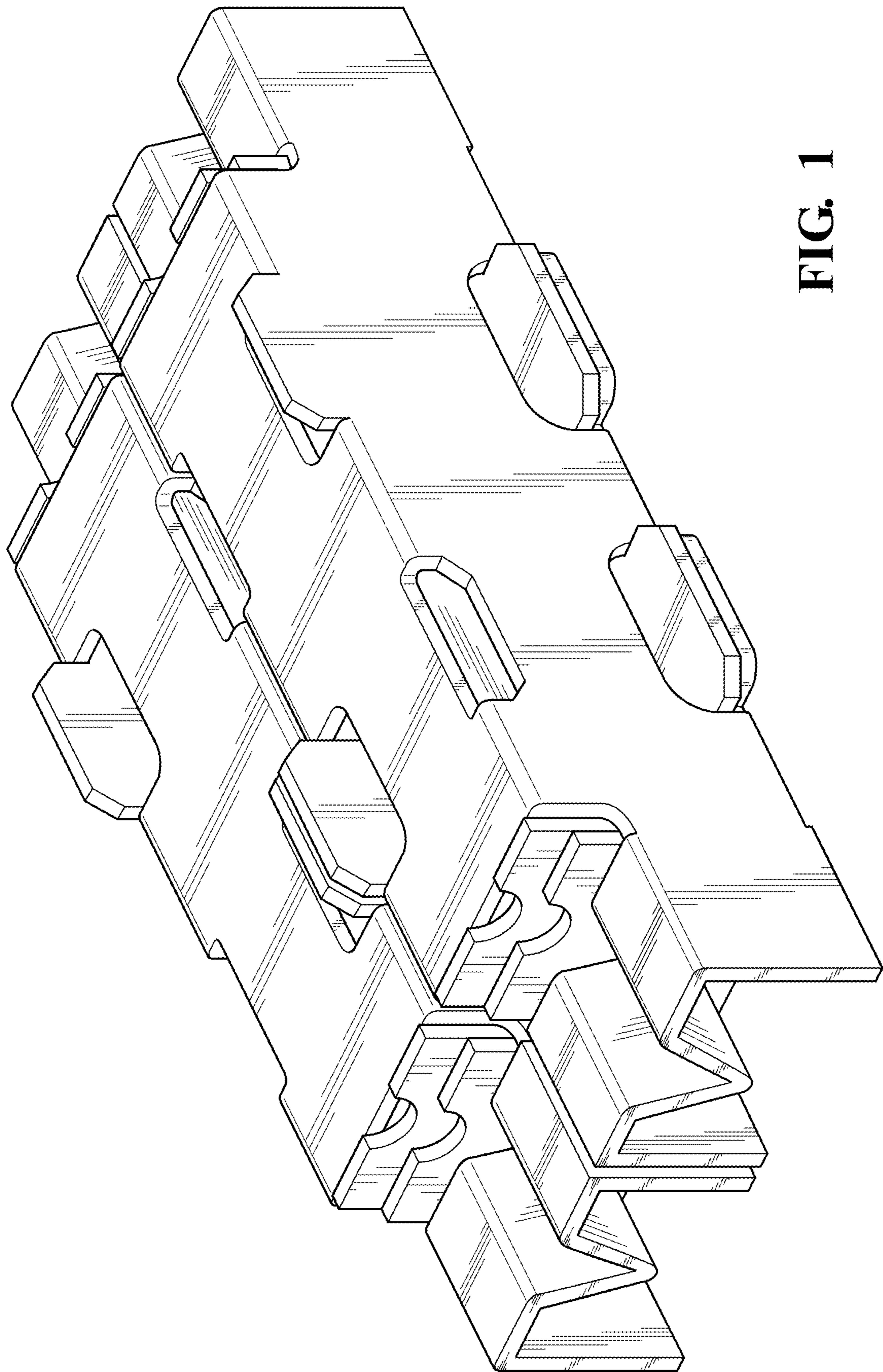


FIG. 1

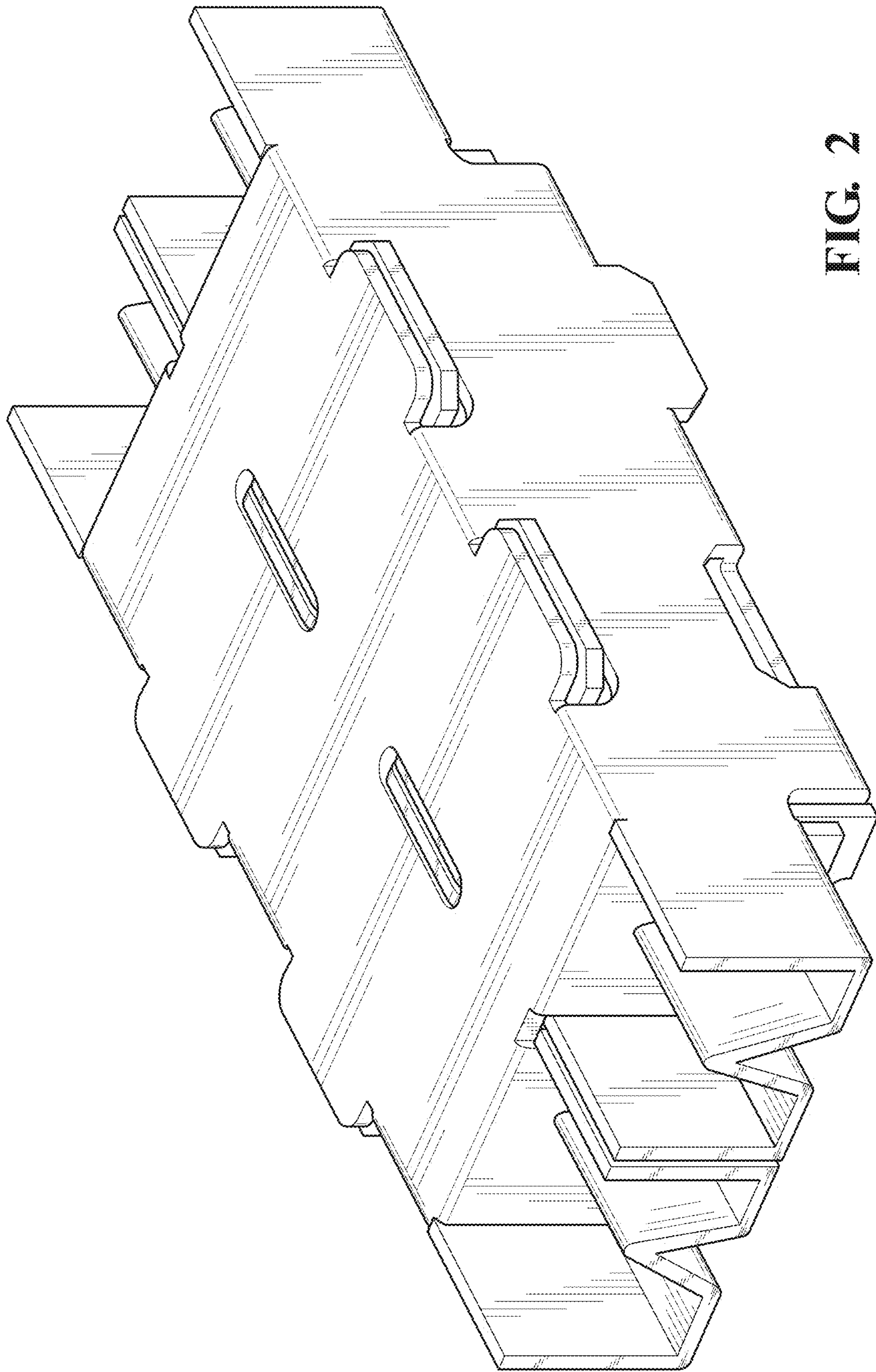


FIG. 2

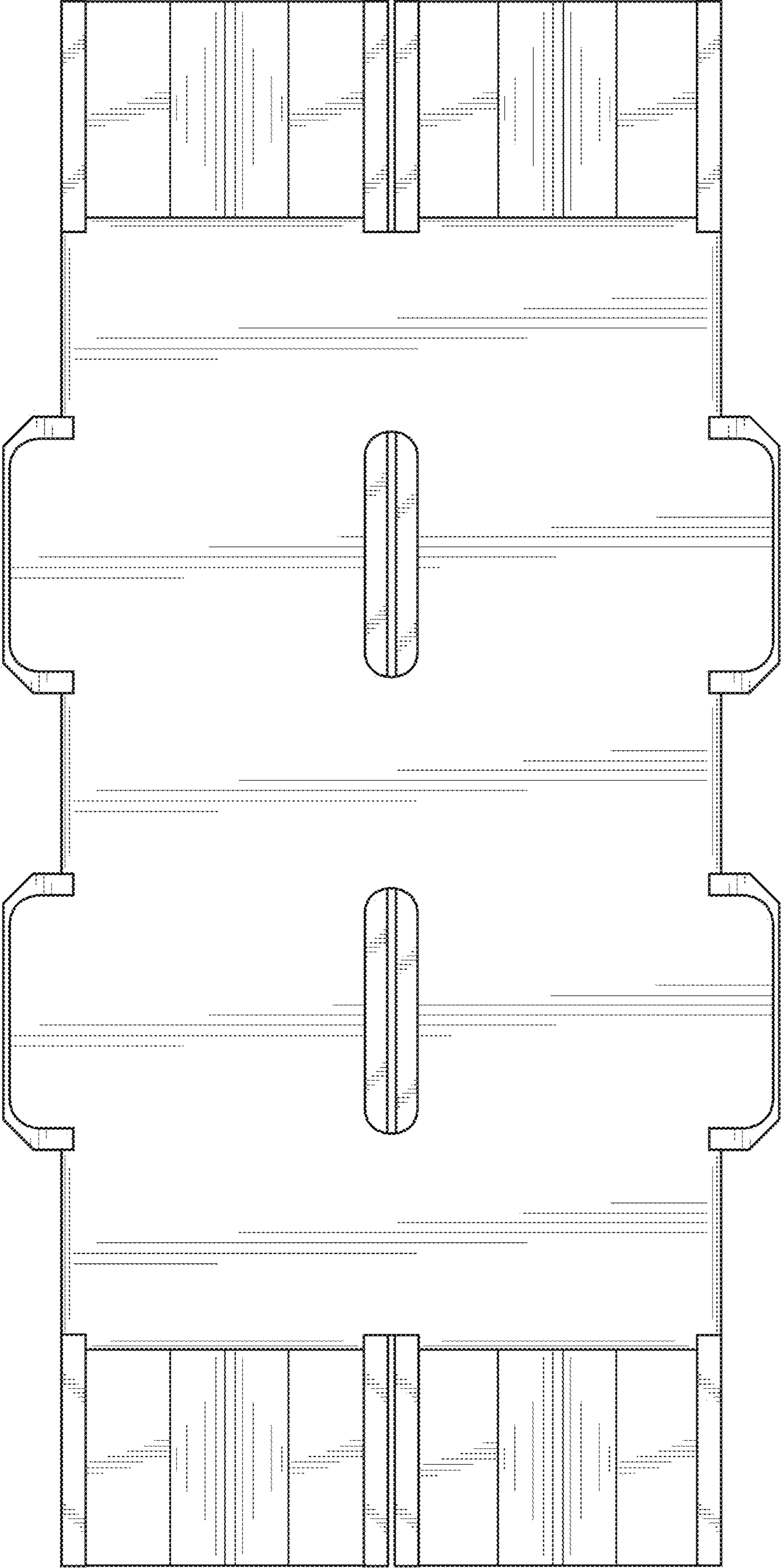


FIG. 3

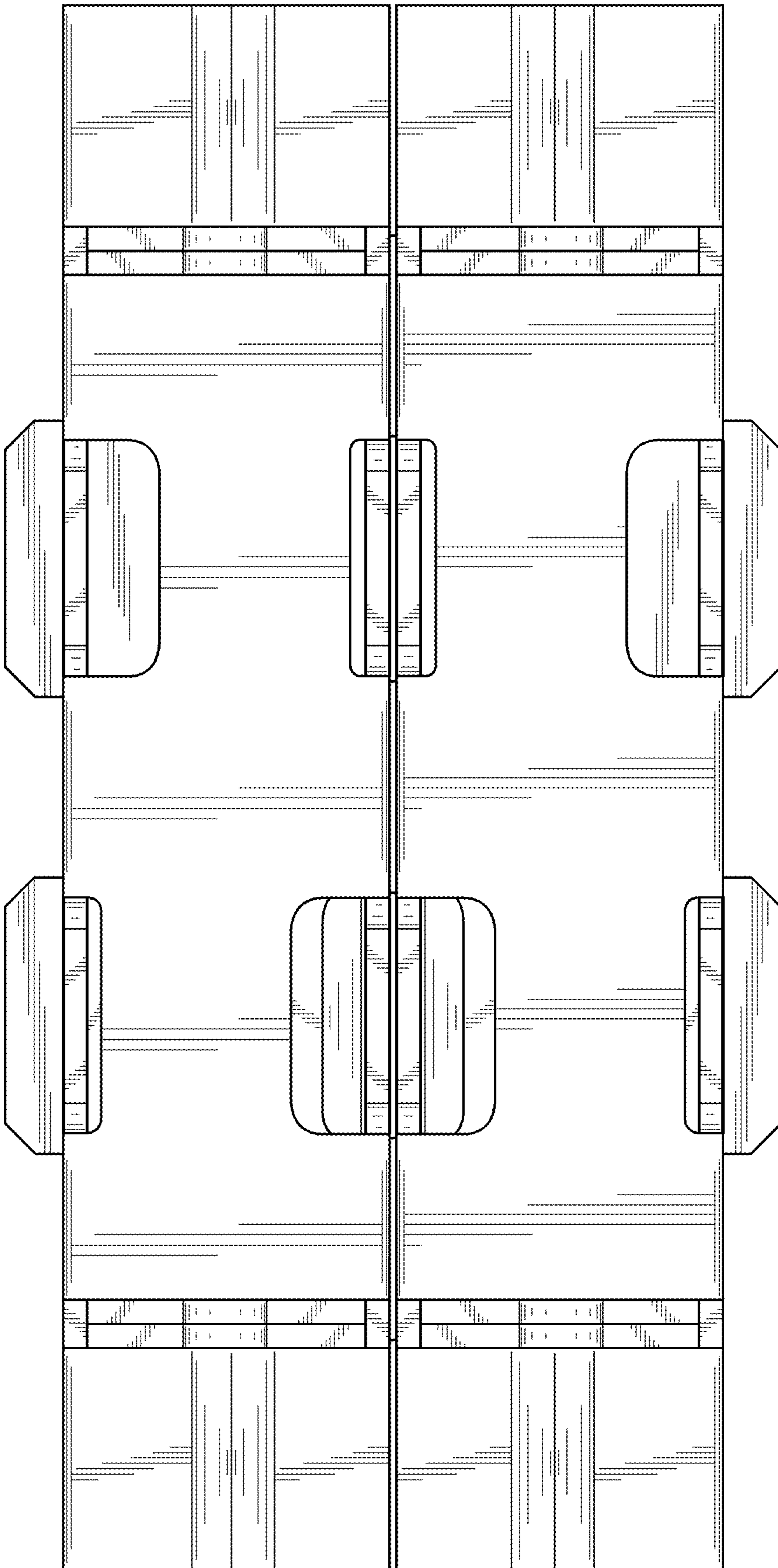


FIG. 4

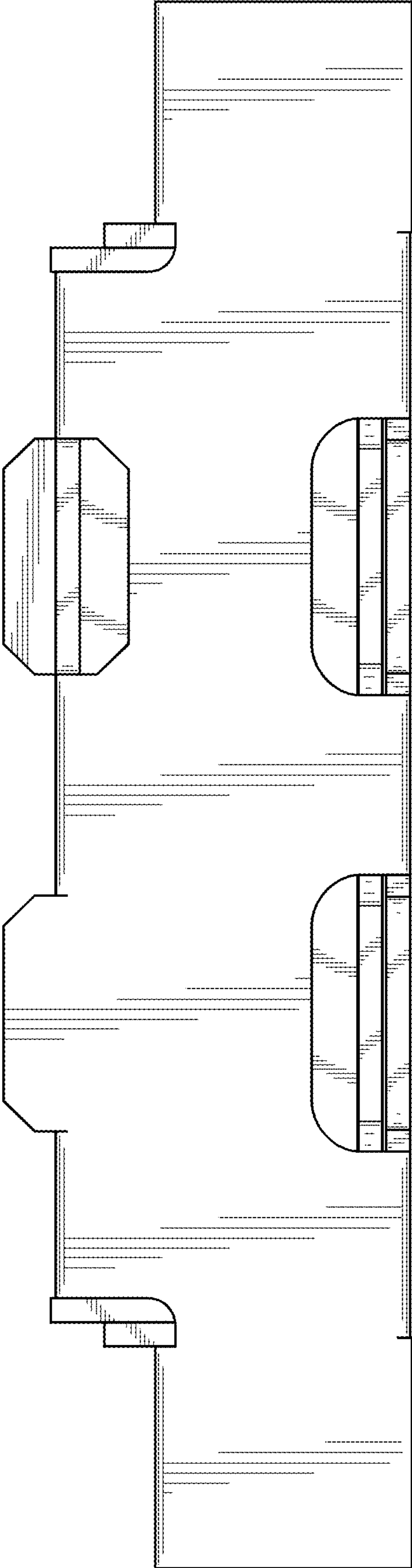


FIG. 5

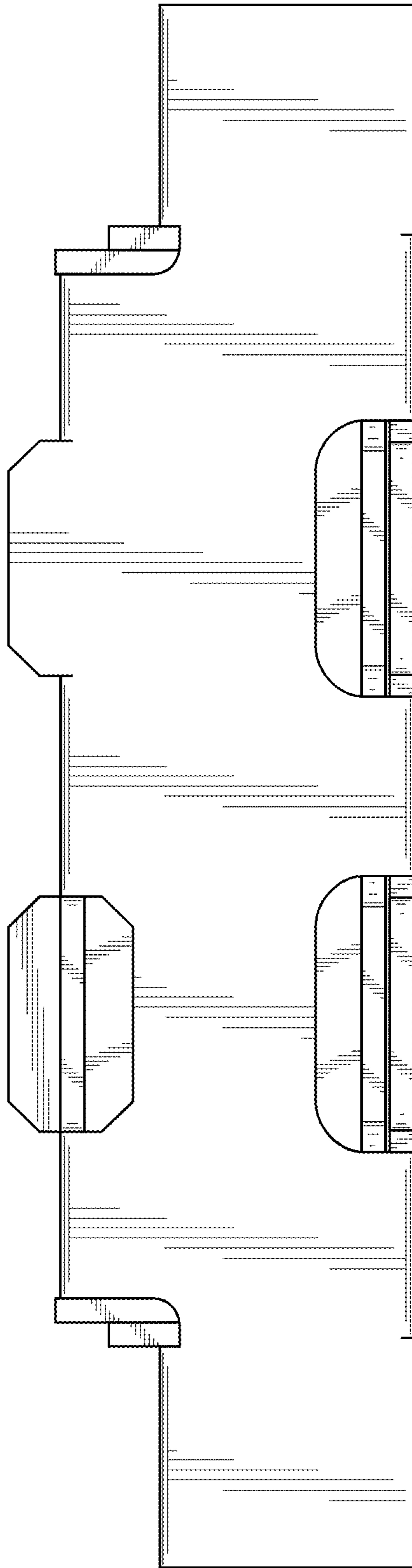


FIG. 6

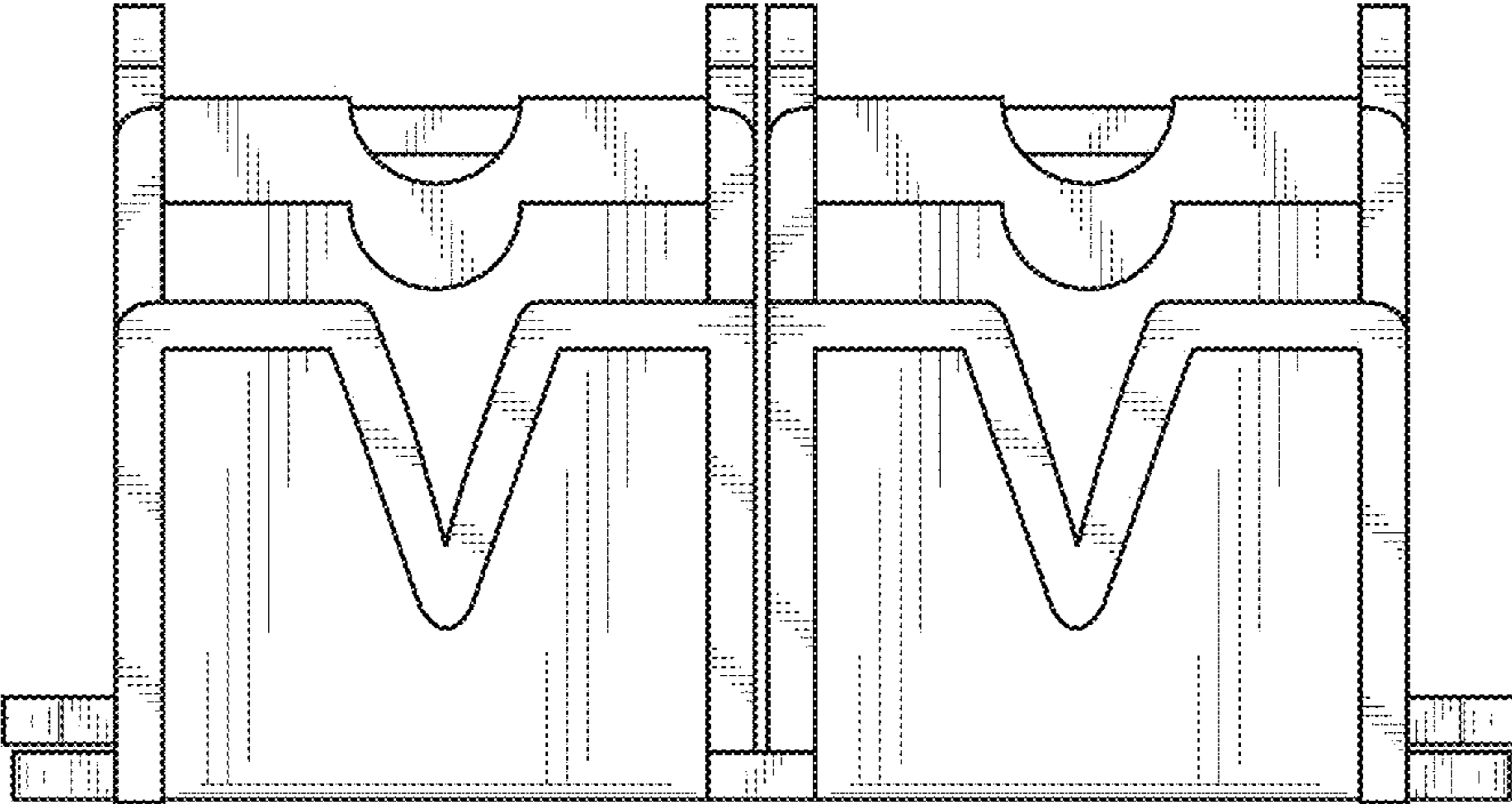


FIG. 7

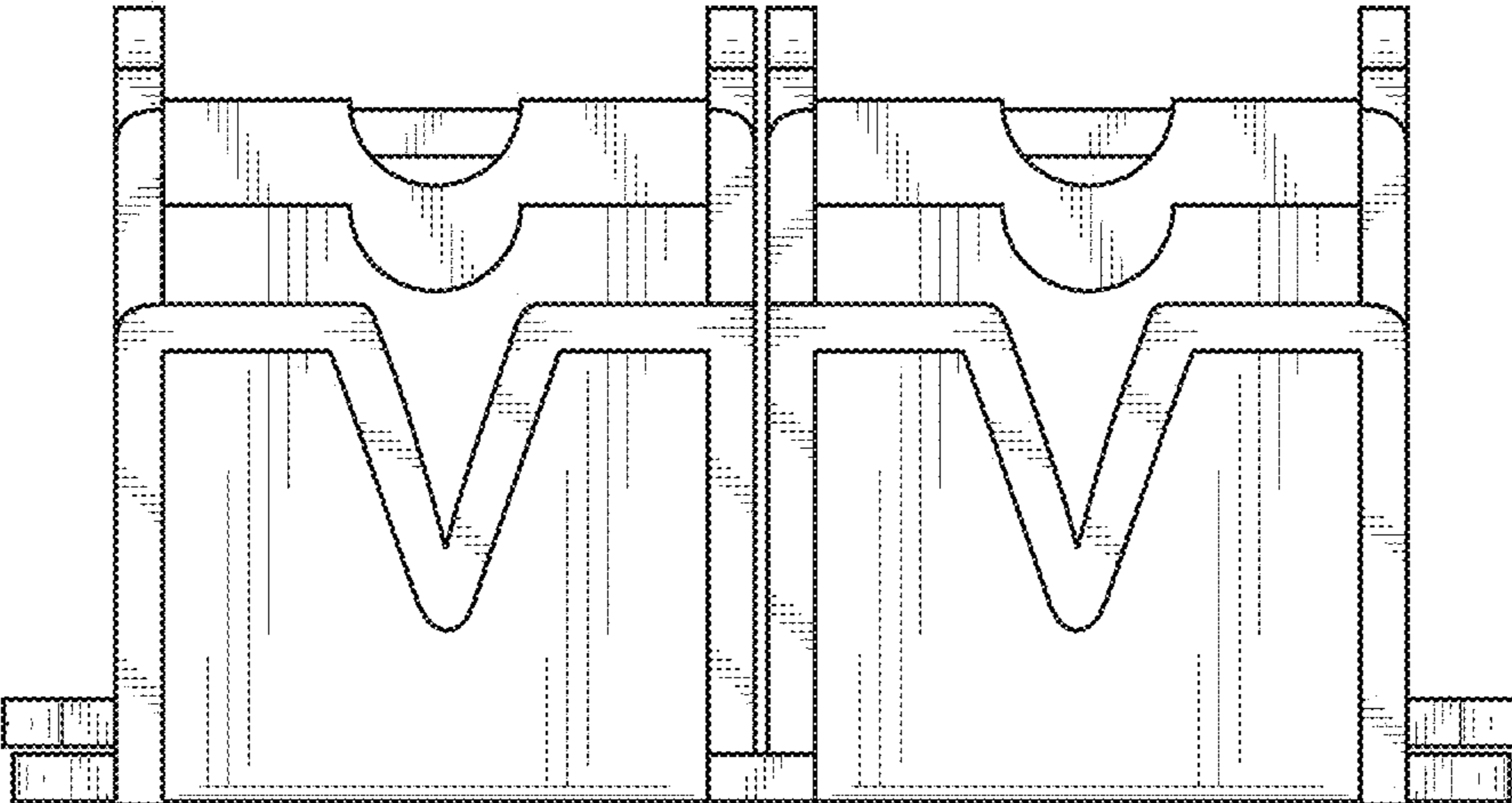


FIG. 8