



US00D904189S

(12) **United States Design Patent** (10) **Patent No.:** **US D904,189 S**
Twede et al. (45) **Date of Patent:** **** Dec. 8, 2020**

(54) **CAP FOR A CONTAINER**
(71) Applicant: **Ancestry.com DNA, LLC**, Lehi, UT (US)
(72) Inventors: **Bryce Twede**, Provo, UT (US); **Michael Andersen**, Springville, UT (US); **Michael S. Horito**, Provo, UT (US); **Collin Sorensen**, Orem, UT (US)
(73) Assignee: **Ancestry.com DNA, LLC**, Lehi, UT (US)
(**) Term: **15 Years**

(21) Appl. No.: **29/686,155**

(22) Filed: **Apr. 2, 2019**

(51) **LOC (12) Cl.** **09-07**

(52) **U.S. Cl.**
USPC **D9/453**

(58) **Field of Classification Search**
USPC D9/414, 424, 425, 428, 432, 434, 435, D9/436, 439, 440, 443-450, 452-457, D9/499, 503, 682, 685, 686; D7/387, D7/391, 392, 392.1, 396.2, 510, 511, 538, D7/900; D3/202, 203.2; D28/91, 91.1; D19/194

CPC .. A61J 1/00; A61J 1/1412; B65D 1/00; B65D 1/02; B65D 1/10; B65D 1/46; B65D 5/46; B65D 41/00; B65D 41/38; B65D 41/56; B65D 41/62; B65D 47/00; B65D 47/06; B65D 47/08; B65D 2251/00; B65D 2543/00046; B65D 2543/00092; B65D 2543/00296

See application file for complete search history.

(56) **References Cited**

U.S. PATENT DOCUMENTS

D169,994 S * 7/1953 Soffer et al. D9/453
D175,257 S * 8/1955 Hopkins D9/449

D196,112 S * 8/1963 Esser D9/443
D277,736 S * 2/1985 Long D9/443
D286,546 S * 11/1986 Funahashi D19/163
D330,011 S * 10/1992 Miller D13/150
D362,623 S * 9/1995 Ma D9/453
D392,187 S * 3/1998 King D9/453
D412,107 S * 7/1999 Bosshardt D9/453
D437,786 S * 2/2001 van Swieten D9/453
D471,234 S * 3/2003 Okutani D19/194
D515,435 S * 2/2006 Muehlhausen D9/695
D537,416 S * 2/2007 Fortin D13/156
D573,465 S * 7/2008 Kogure D9/452
D584,357 S * 1/2009 Oka D19/194
D586,856 S * 2/2009 Yagyu D19/194
D612,730 S * 3/2010 Rushe D9/453
D693,682 S * 11/2013 Bahri D9/453
D718,127 S * 11/2014 Moriyama D9/453
D757,546 S * 5/2016 Seifer D9/453

(Continued)

Primary Examiner — Michael A. Pratt

Assistant Examiner — Wendy L Arminio

(74) *Attorney, Agent, or Firm* — Fenwick & West LLP

(57) **CLAIM**

The ornamental design for a cap for a container, as shown and described.

DESCRIPTION

FIG. 1 is a top and right perspective view of a cap for a container;

FIG. 2 is a bottom and left perspective view thereof;

FIG. 3 is a front view thereof;

FIG. 4 is a rear view thereof;

FIG. 5 is a right view thereof;

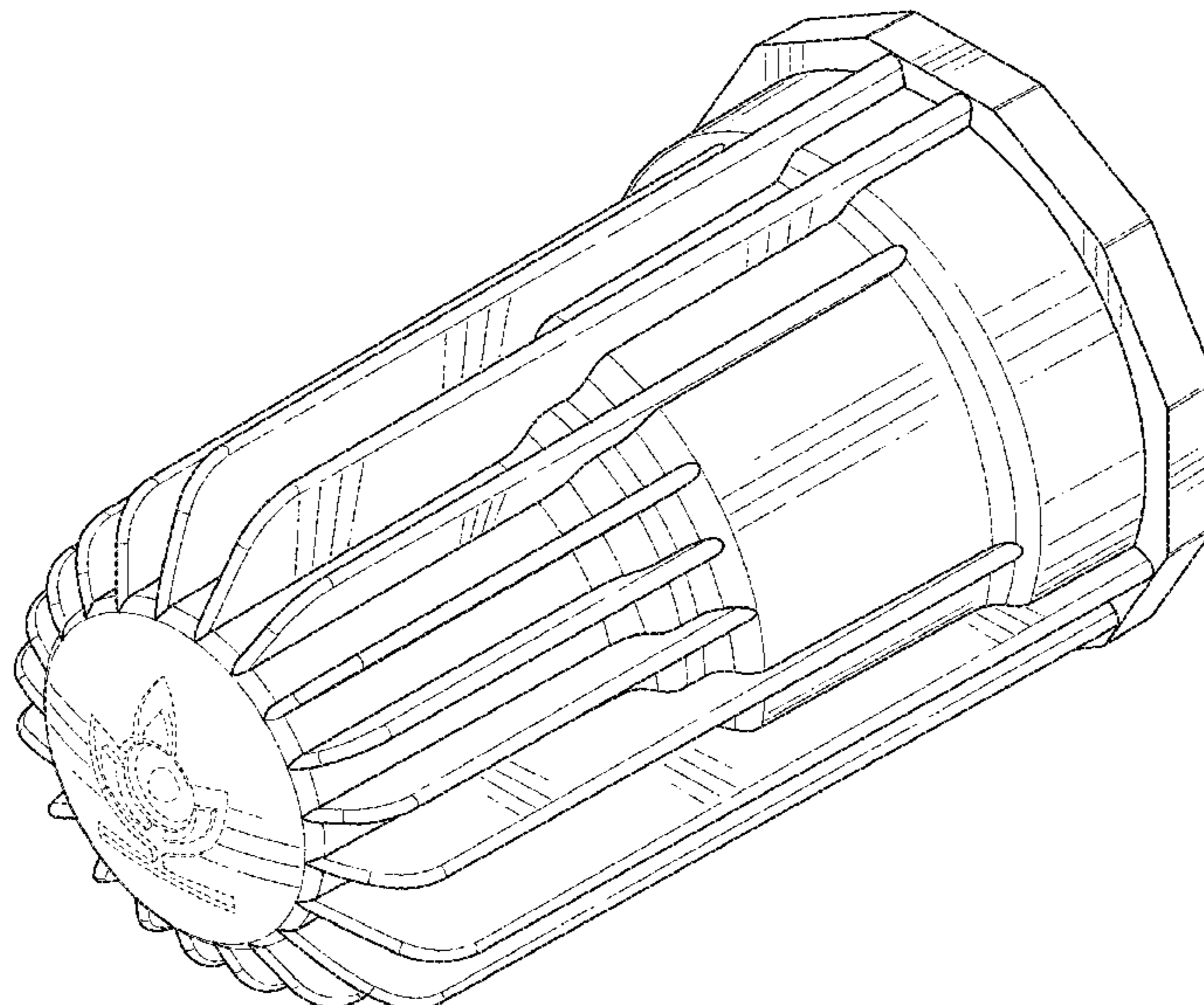
FIG. 6 is a left view thereof;

FIG. 7 is a top view thereof; and,

FIG. 8 is a bottom view thereof.

The broken lines are included for the purpose of illustrating environmental structure and form no part of the claimed design.

1 Claim, 8 Drawing Sheets



(56)

References Cited

U.S. PATENT DOCUMENTS

D775,953 S * 1/2017 Ruthe-Steinsiek D9/435
D777,111 S * 1/2017 Zantout D13/150
9,732,376 B2 * 8/2017 Oyler A61B 10/0051
D811,882 S * 3/2018 Gundersen D9/453
D843,834 S * 3/2019 Gundersen D9/429
2019/0151842 A1 * 5/2019 Williams B01L 3/50825

* cited by examiner

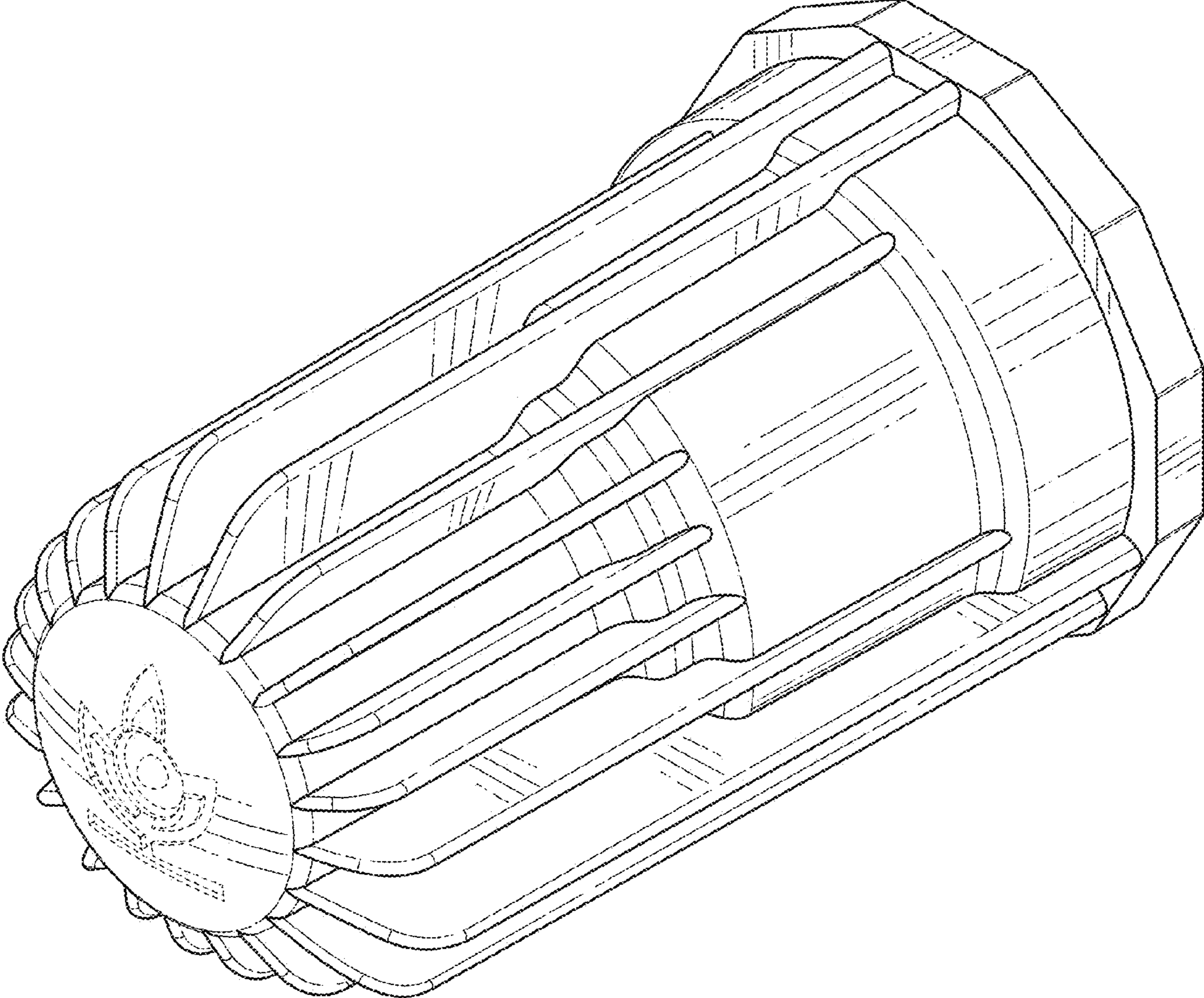


FIG. 1

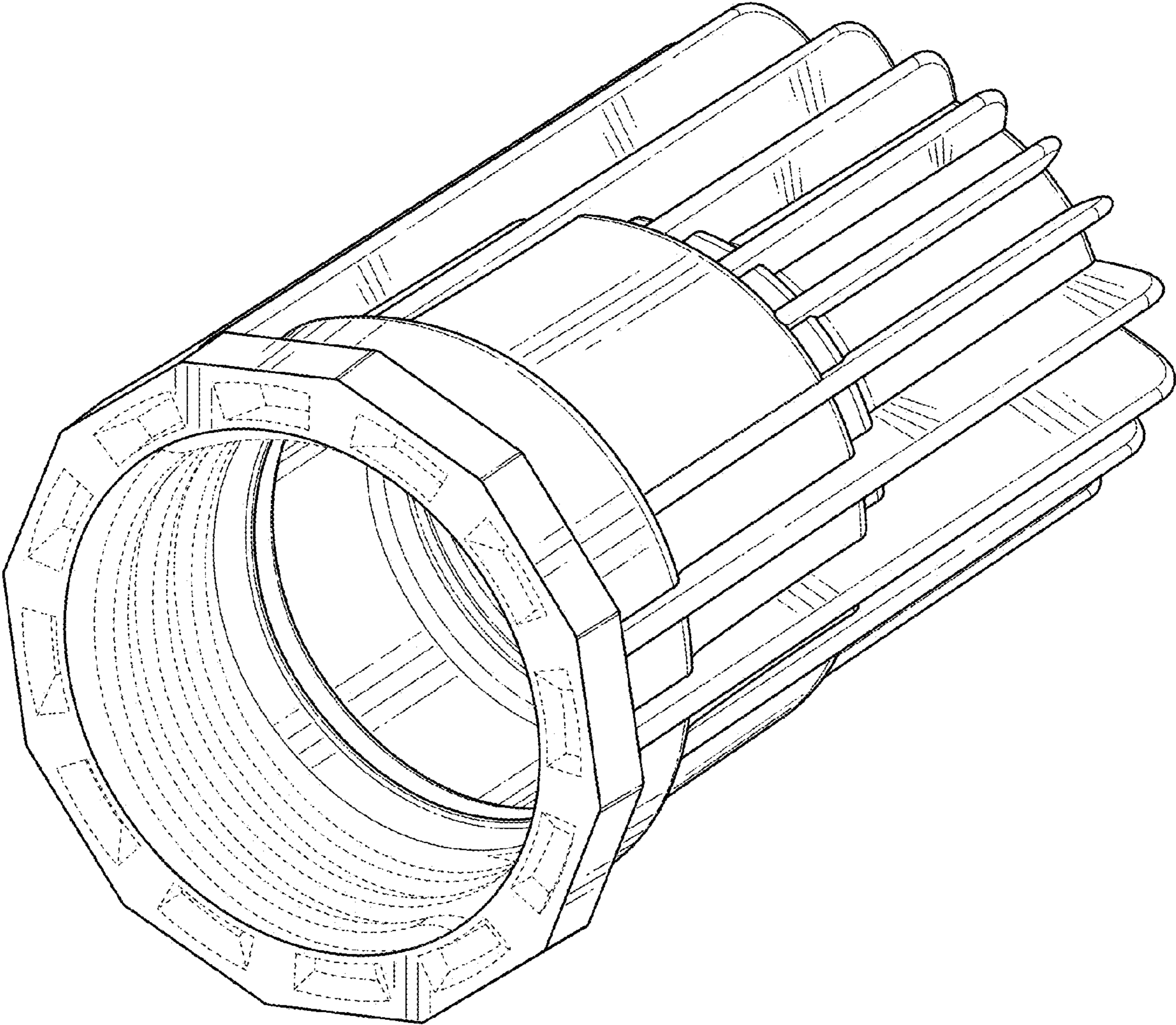


FIG. 2

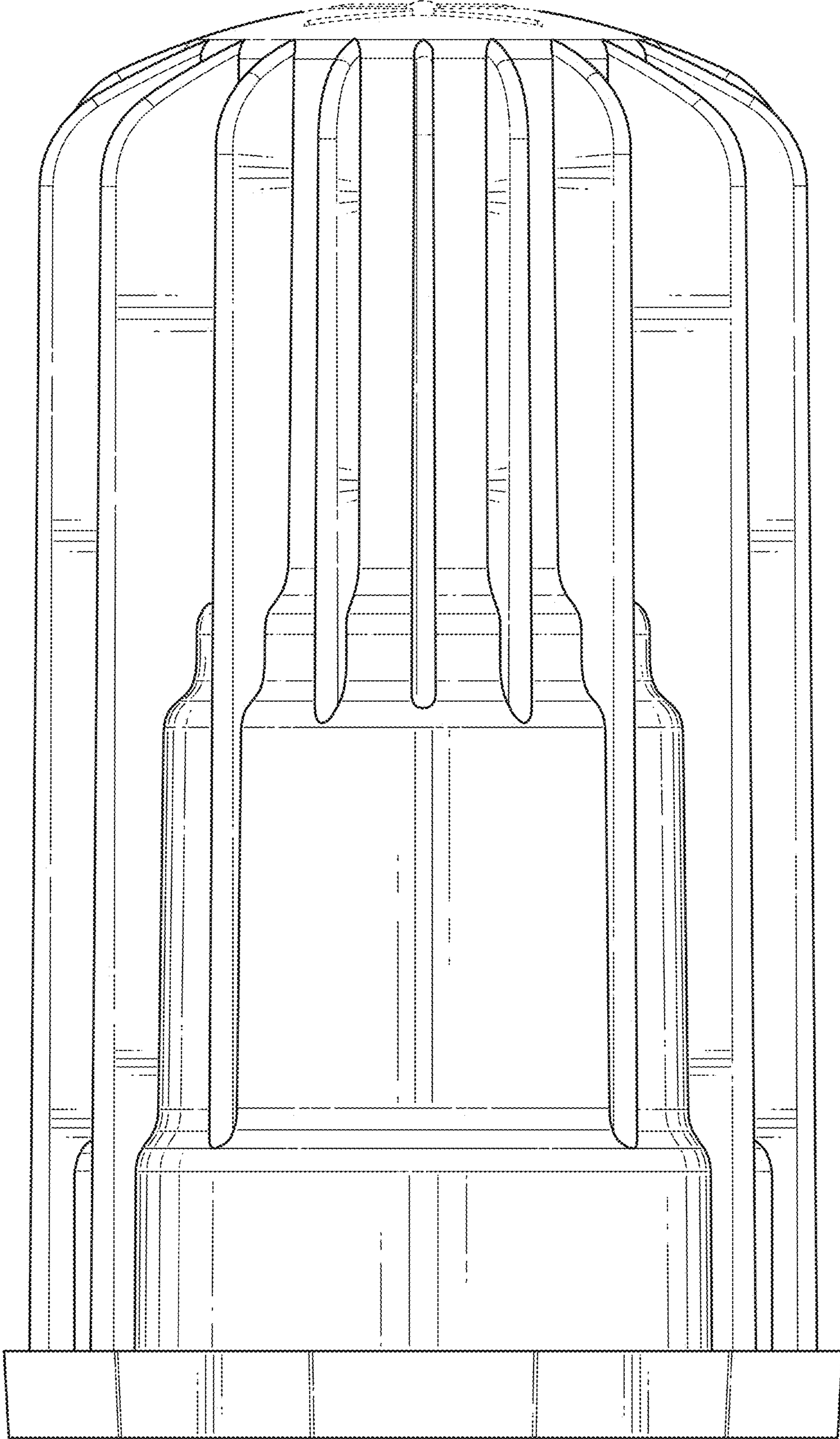


FIG. 3

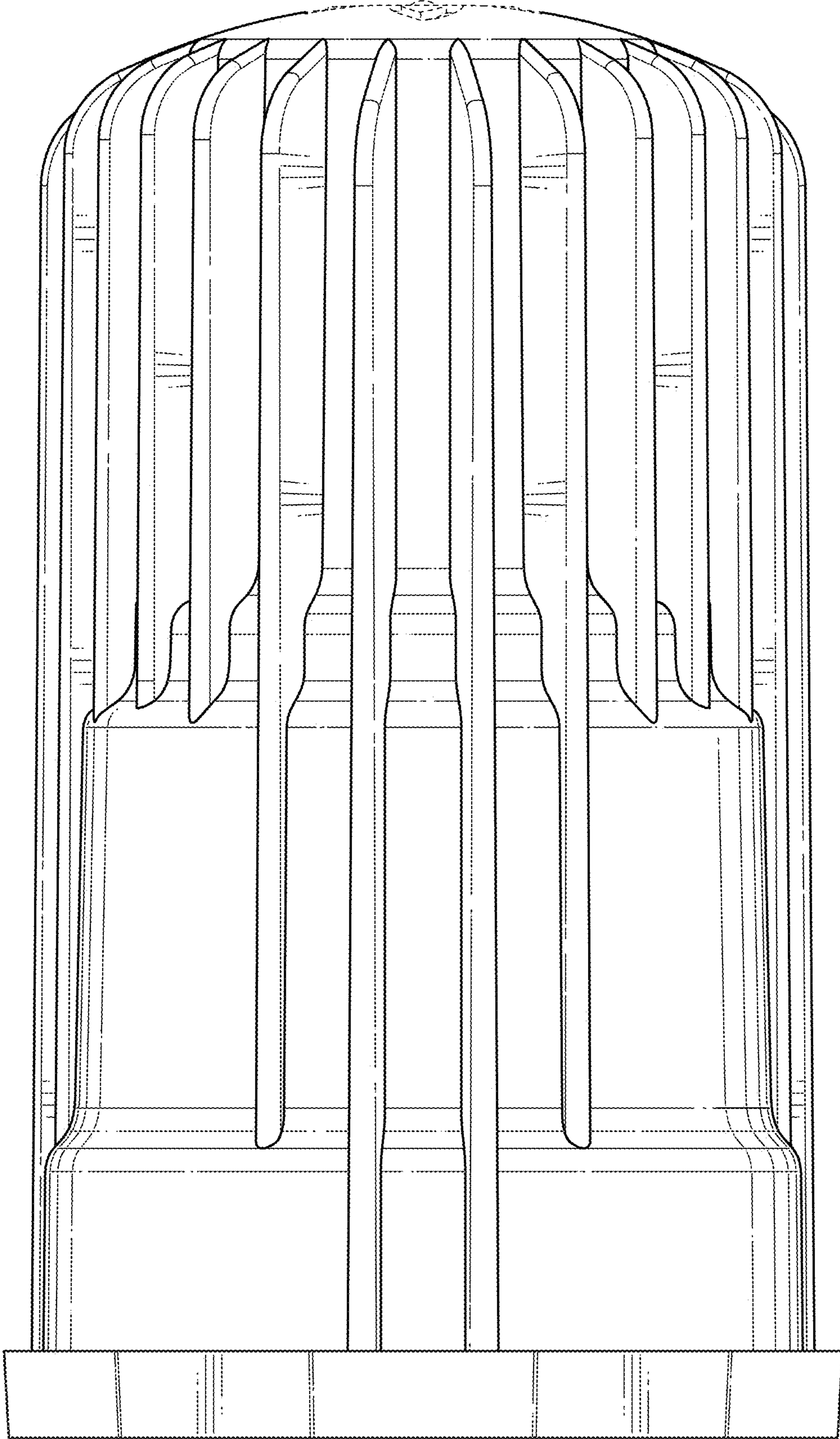


FIG. 4

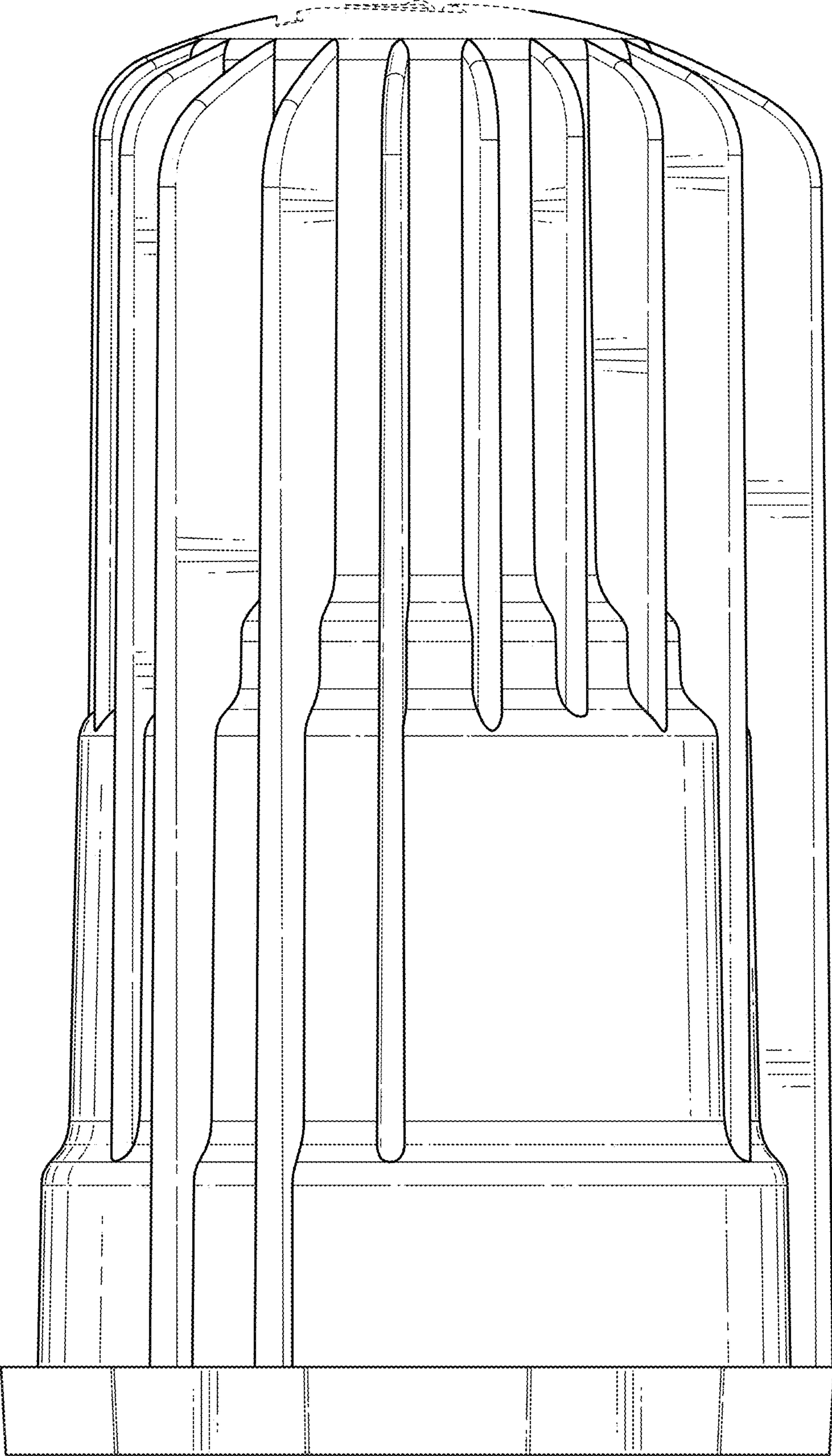


FIG. 5

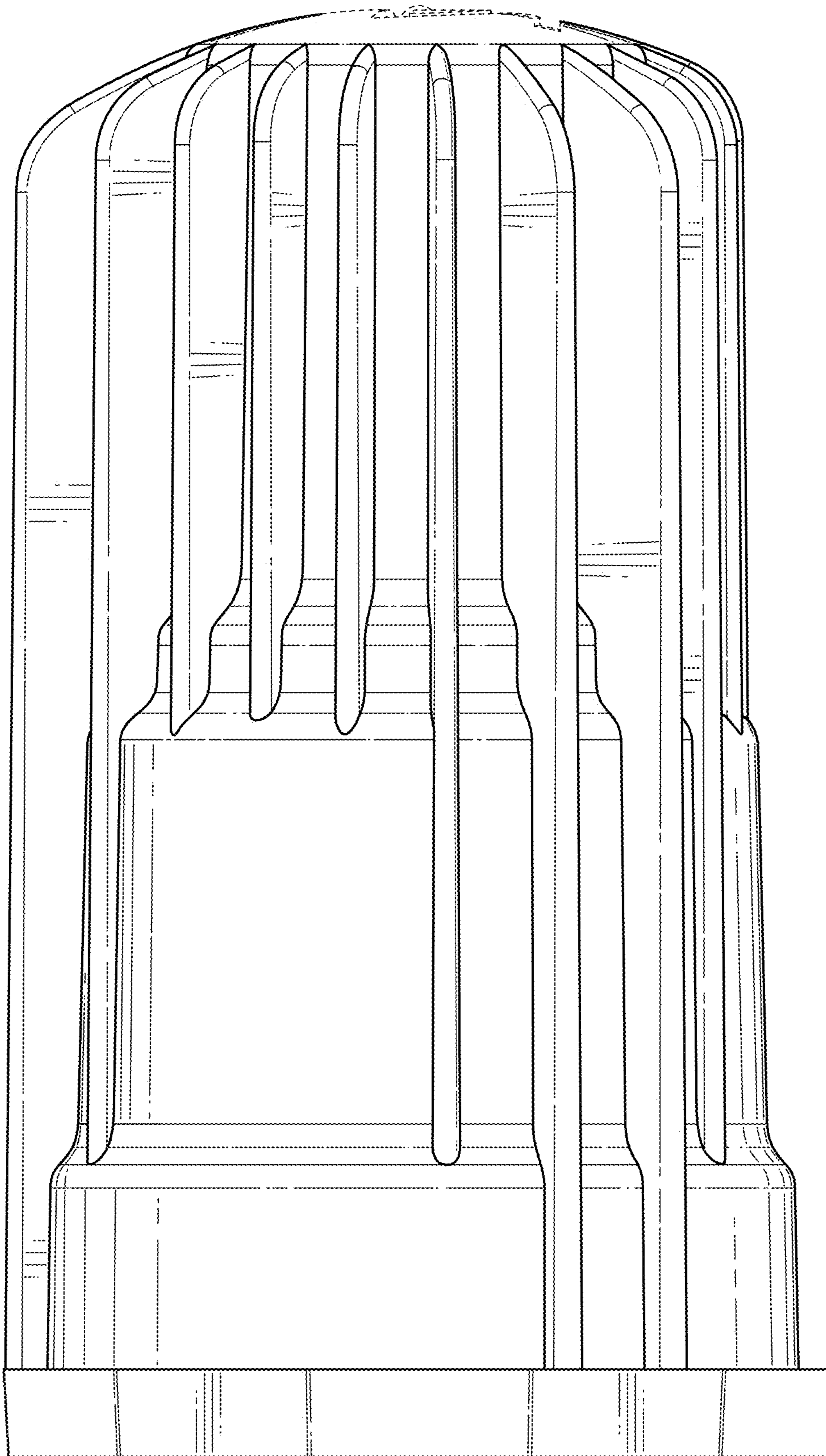


FIG. 6

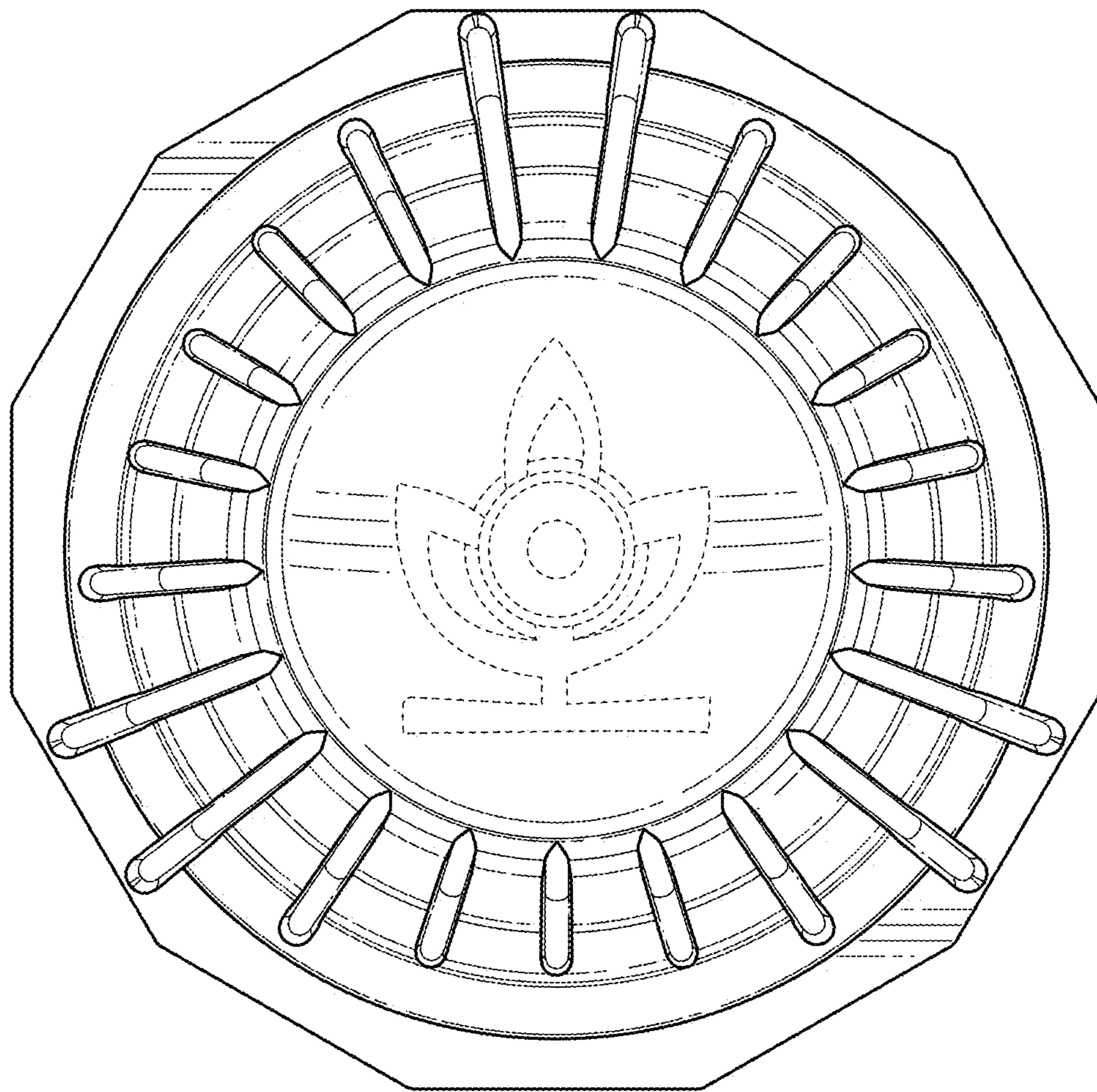


FIG. 7

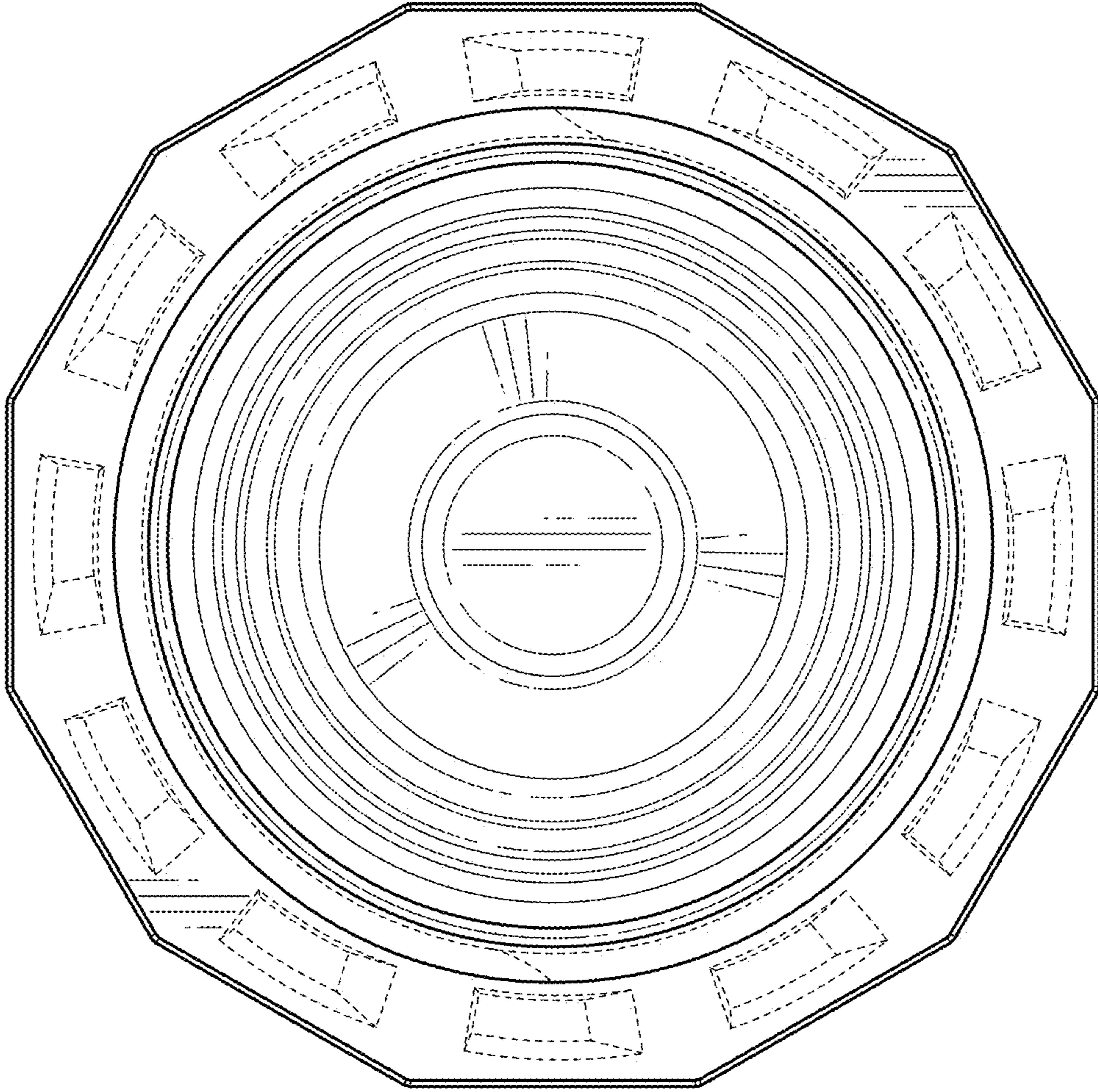


FIG. 8