



US00D904188S

(12) **United States Design Patent**
McRiner

(10) **Patent No.:** **US D904,188 S**

(45) **Date of Patent:** **** Dec. 8, 2020**

(54) **CLOSURE**

(71) Applicant: **Conopco, Inc.**, Englewood Cliffs, NJ
(US)

(72) Inventor: **Niall John McRiner**, London (GB)

(73) Assignee: **Conopco, Inc.**, Englewood Cliffs, NJ
(US)

(**) Term: **15 Years**

(21) Appl. No.: **29/654,150**

(22) Filed: **Jun. 21, 2018**

(30) **Foreign Application Priority Data**

Dec. 21, 1920 (EM) 004560563-0001
Dec. 21, 1920 (EM) 004560563-0002

(51) **LOC (12) Cl.** **09-01**

(52) **U.S. Cl.**
USPC **D9/445**; D9/452; D9/454; D7/391

(58) **Field of Classification Search**
USPC D9/434–435, 444–445, 452, 454, 500,
D9/503–504, 516, 521, 529, 549, 558,
D9/682, 686, 688–691, 715, 719;
D7/391, 608; D24/199
CPC B65D 1/00; B65D 1/02; B65D 1/0223;
B65D 23/00; B65D 51/32; B65D
2501/00; B65D 2501/0009
See application file for complete search history.

(56) **References Cited**

U.S. PATENT DOCUMENTS

D525,868 S * 8/2006 Kolanus D9/445
D632,774 S * 2/2011 Hisey D23/366

D645,348 S * 9/2011 Borghesi D9/445
D672,649 S * 12/2012 Cummings D9/445
D716,654 S * 11/2014 Dubitsky D9/435
D770,291 S * 11/2016 Casscles D9/529
D817,171 S * 5/2018 Patrick D9/451

FOREIGN PATENT DOCUMENTS

EM 003041797-0001 3/2016
EM 003041797-0002 3/2016
EM 0003041797-0003 3/2016
EM 003041797-0005 3/2016
EM 003041797-0006 3/2016
EM 003041797-0007 3/2016
EM 003041797-0008 3/2016
EM 003041839-0001 3/2016
EM 003041839-0002 3/2016

* cited by examiner

Primary Examiner — Dana Meyrow

(74) *Attorney, Agent, or Firm* — Gerard J. McGowan, Jr.

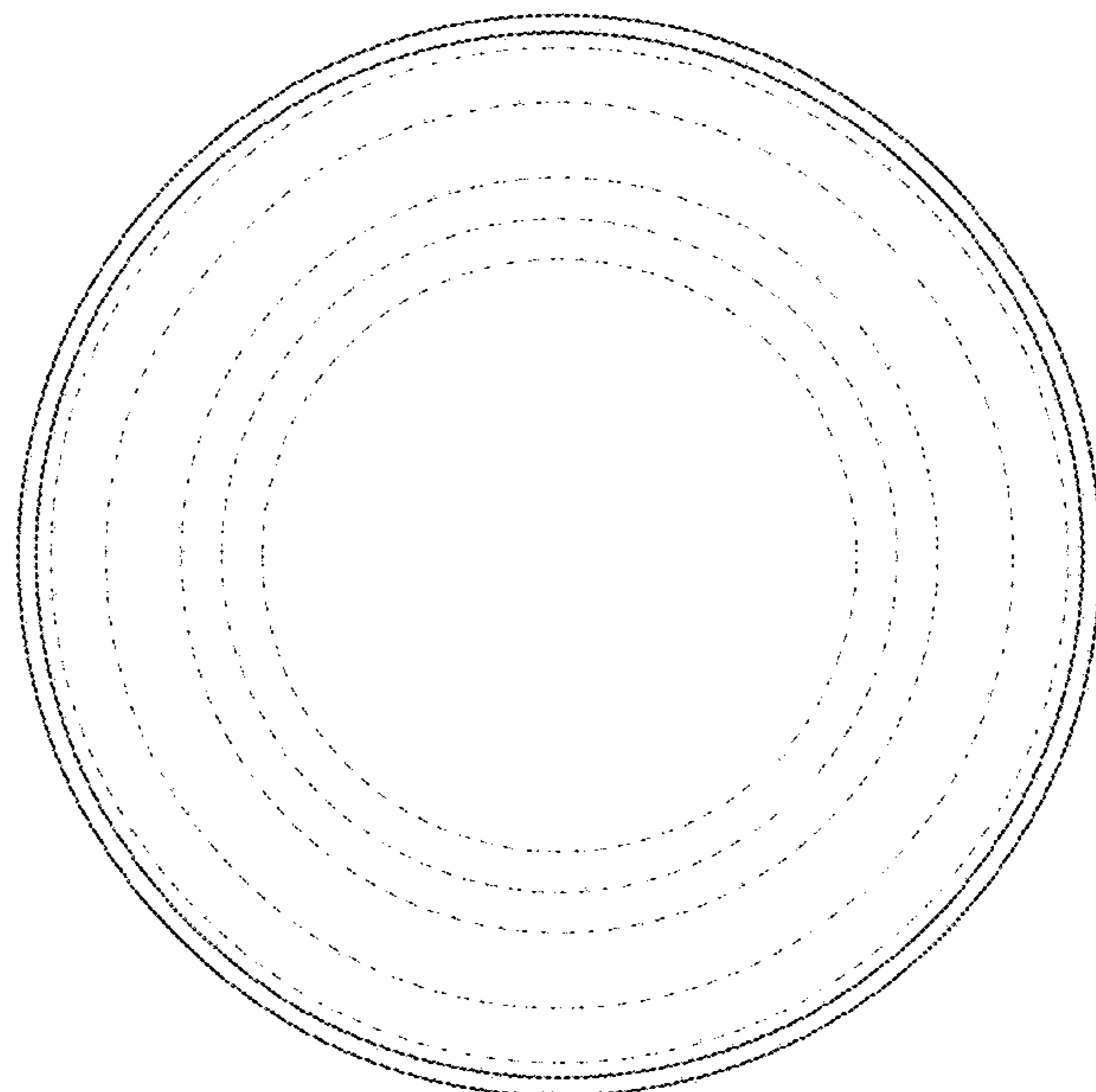
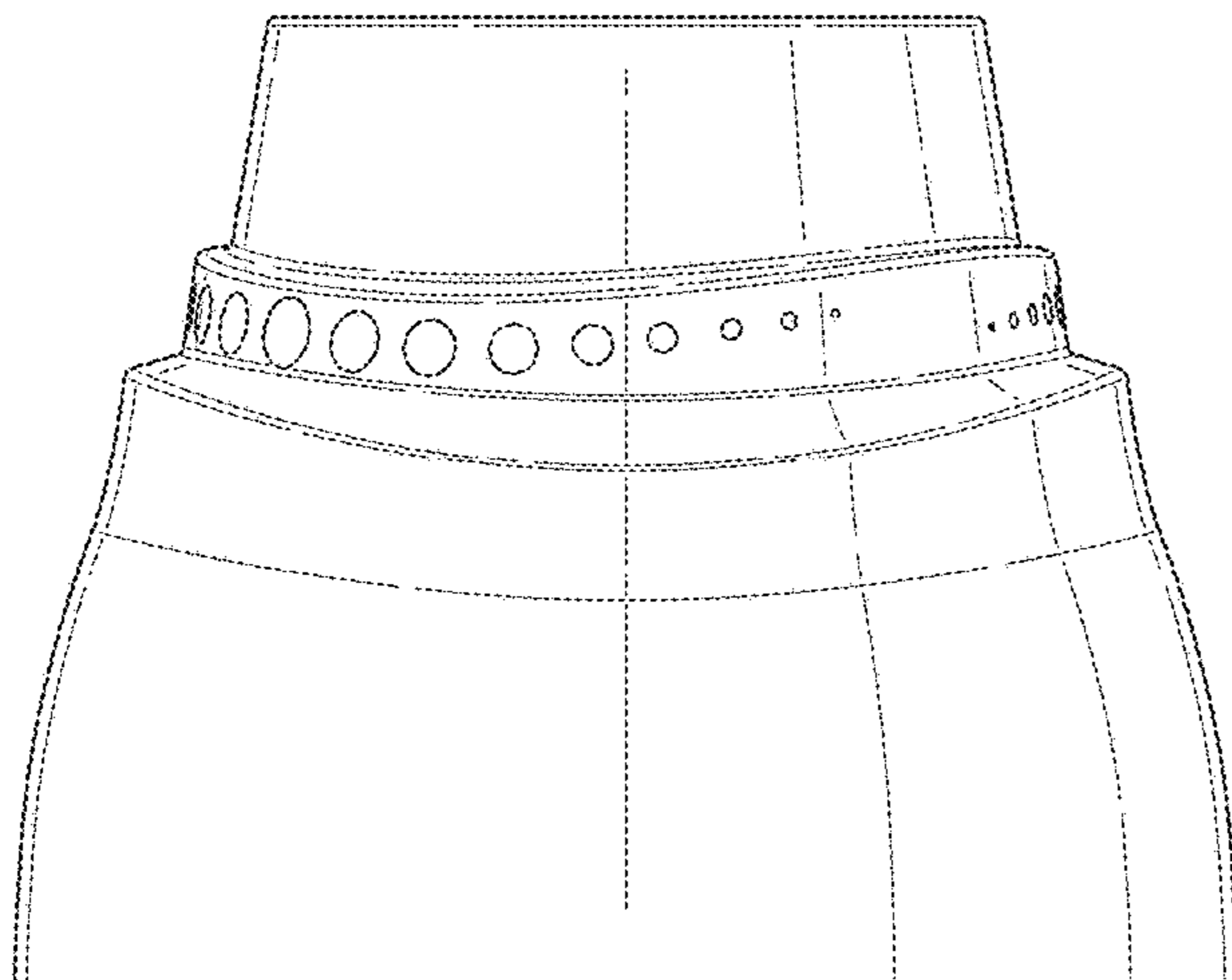
(57) **CLAIM**

I claim the ornamental design for a closure, as shown and described.

DESCRIPTION

FIG. 1 is a perspective view from above of an alternative aspect of my container, namely a closure;
FIG. 2 is a front elevational view thereof;
FIG. 3 is a rear elevational view thereof;
FIG. 4 is a side elevational view from the left side;
FIG. 5 is an elevational view from the right side;
FIG. 6 is a top plan view; and,
FIG. 7 is a bottom plan view thereof.
The broken lines in the drawings illustrate the portions of the closure that form no part of the claimed design.

1 Claim, 4 Drawing Sheets



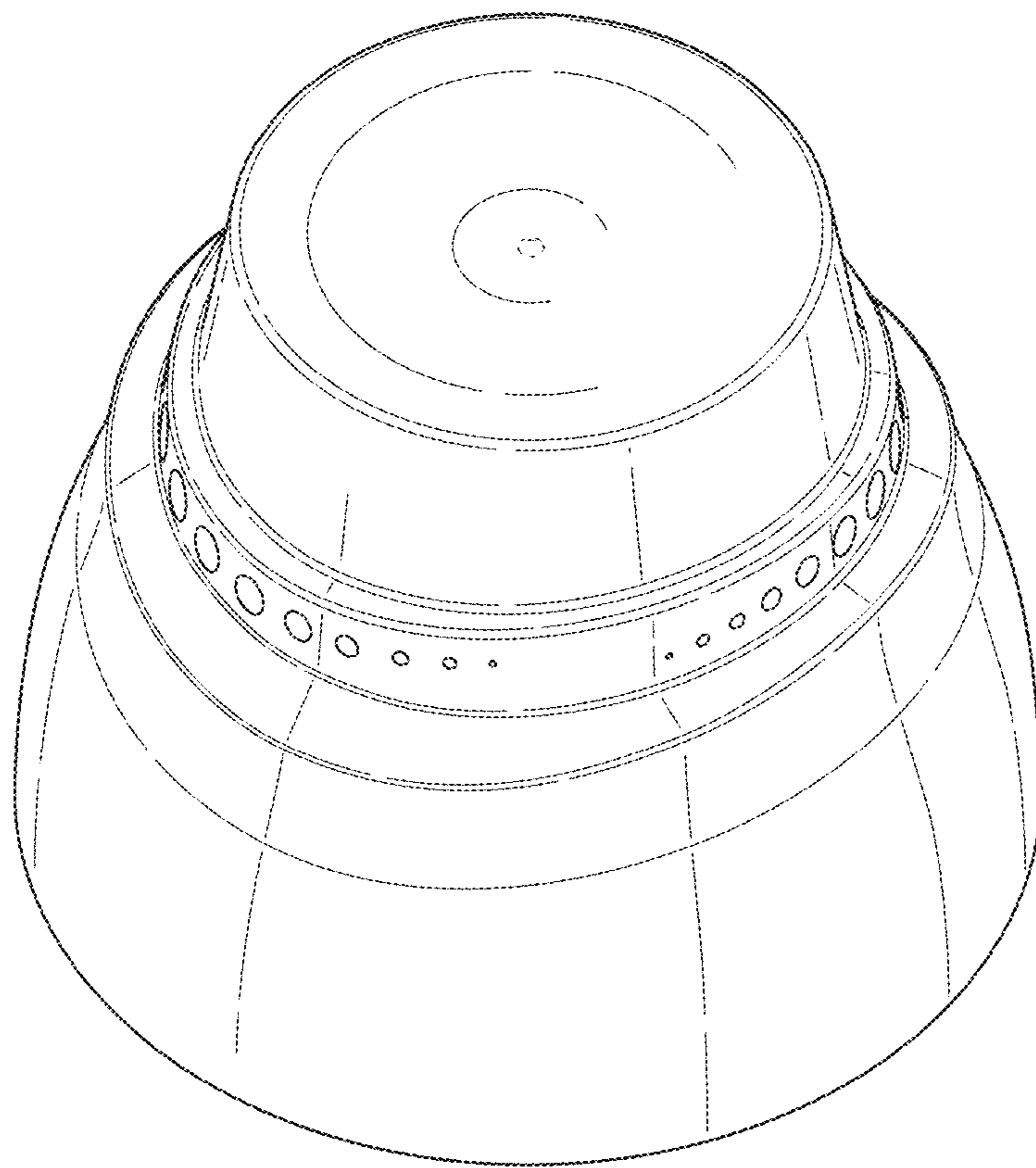


Fig. 1

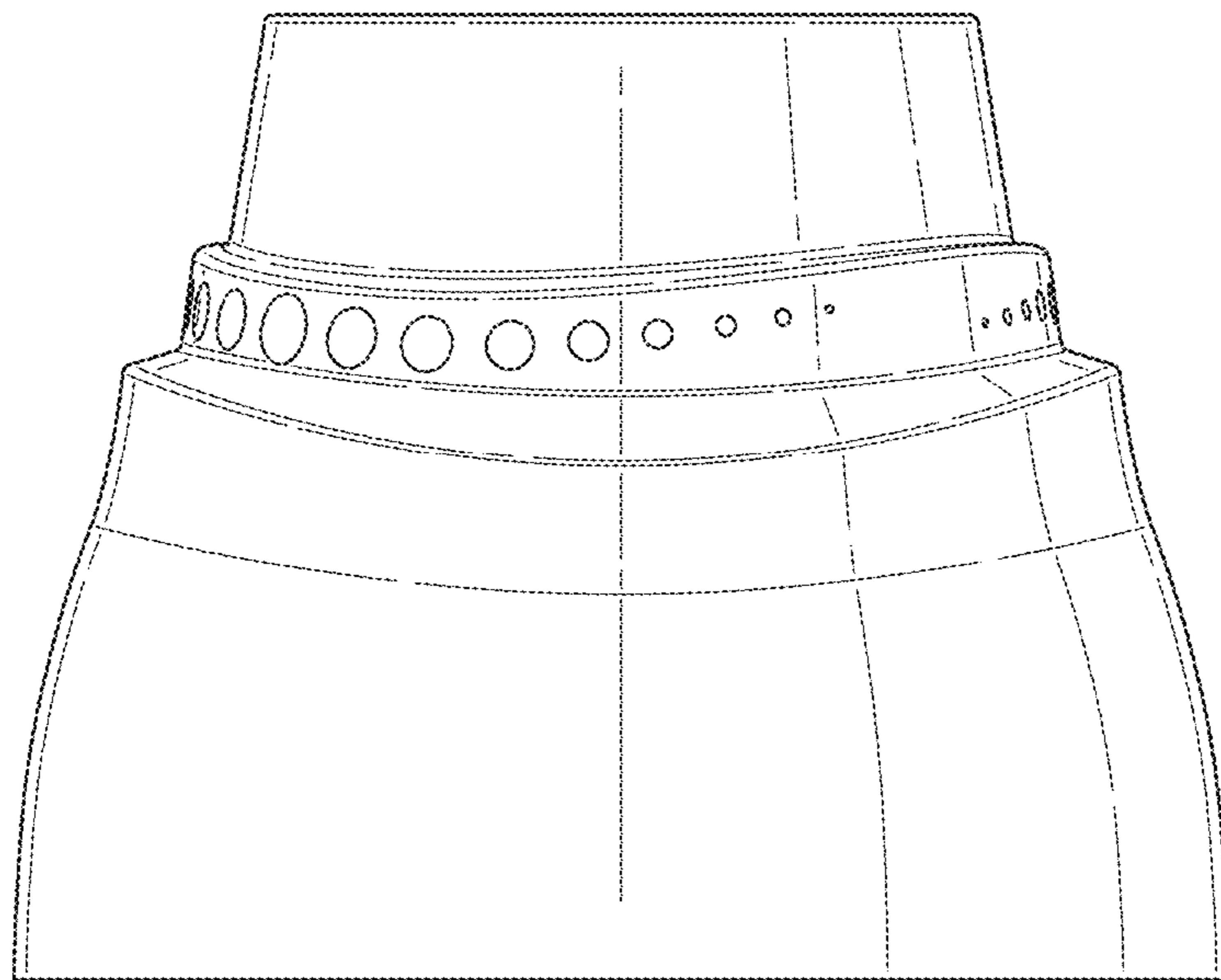


Fig. 2

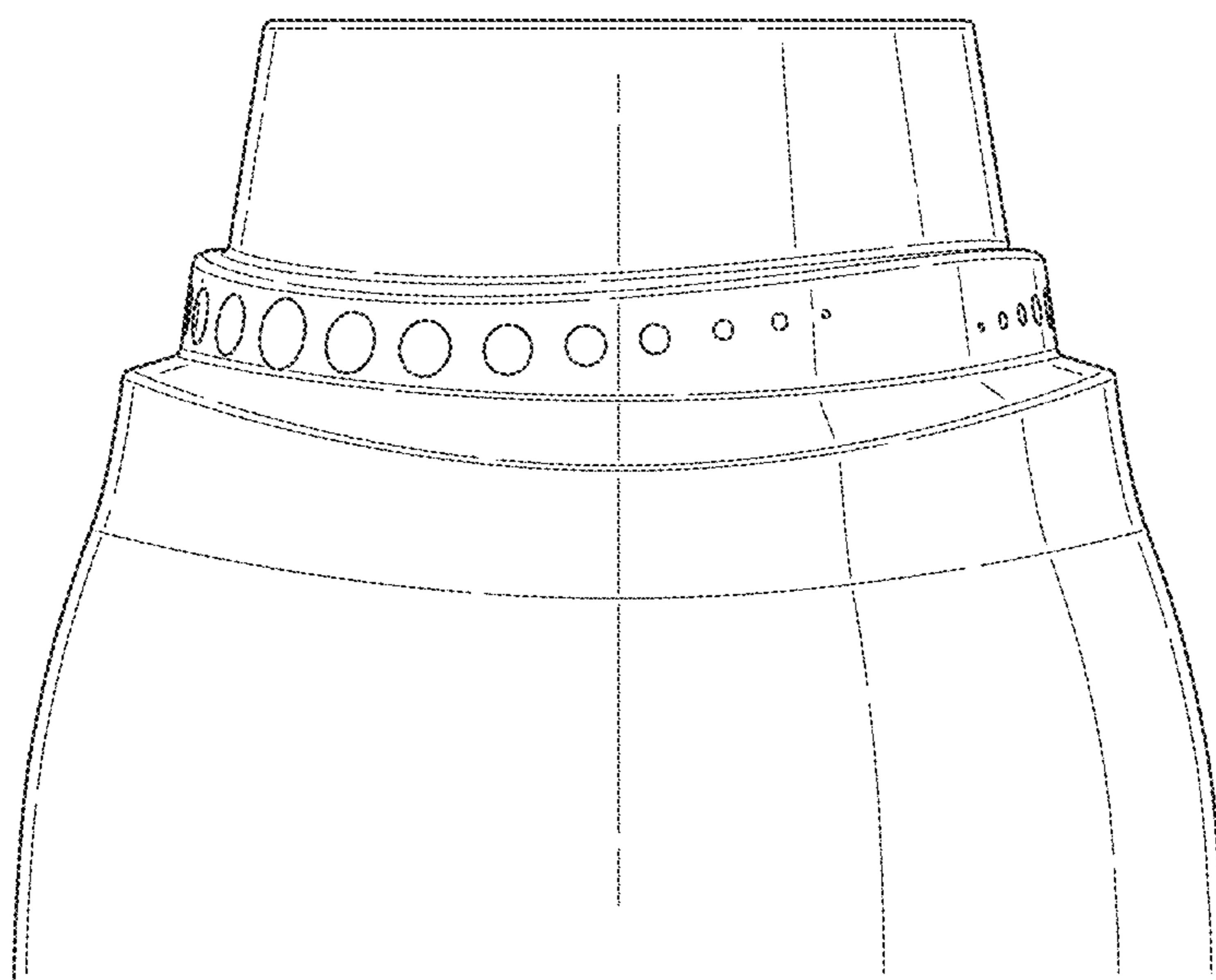


Fig. 3

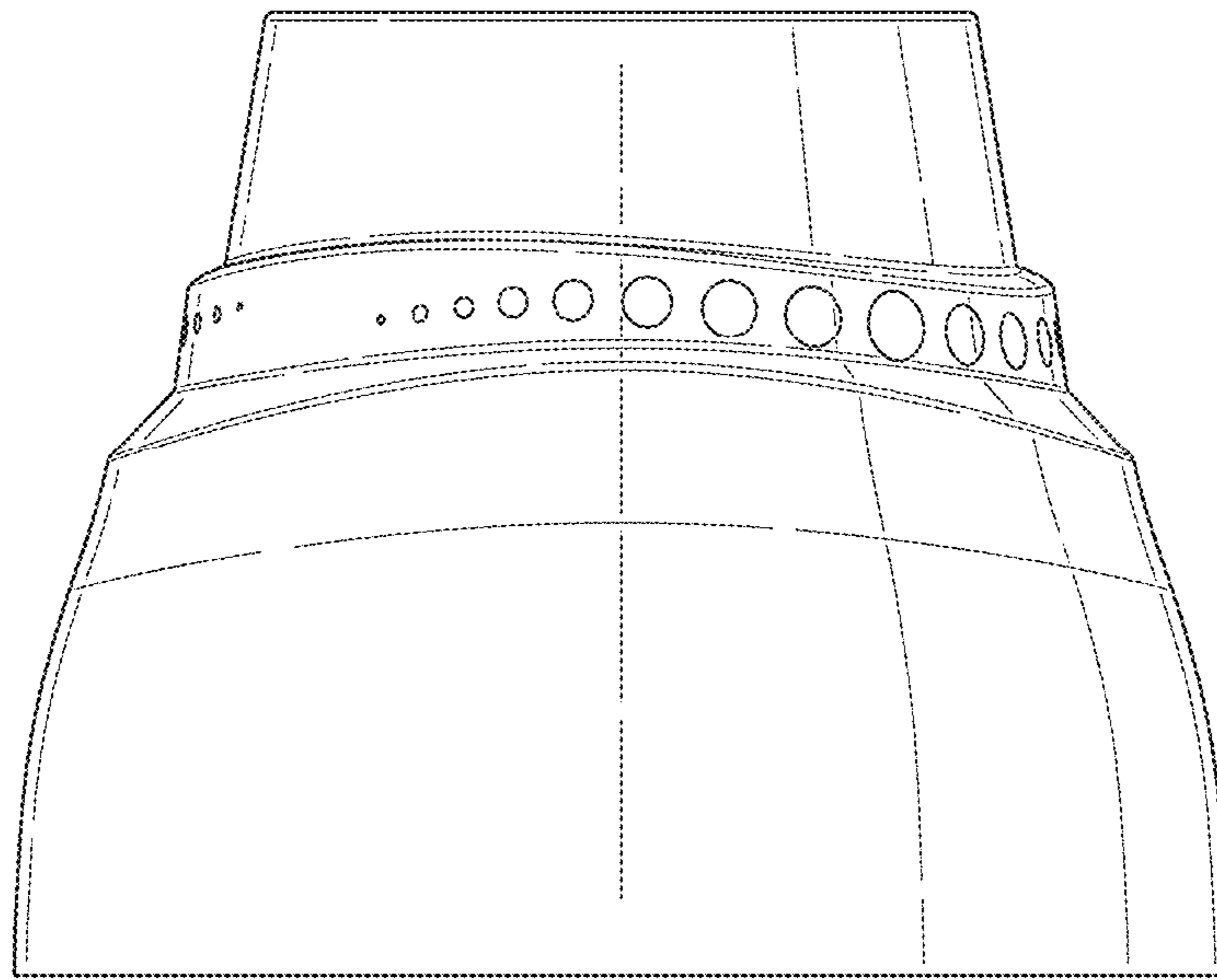


Fig. 4

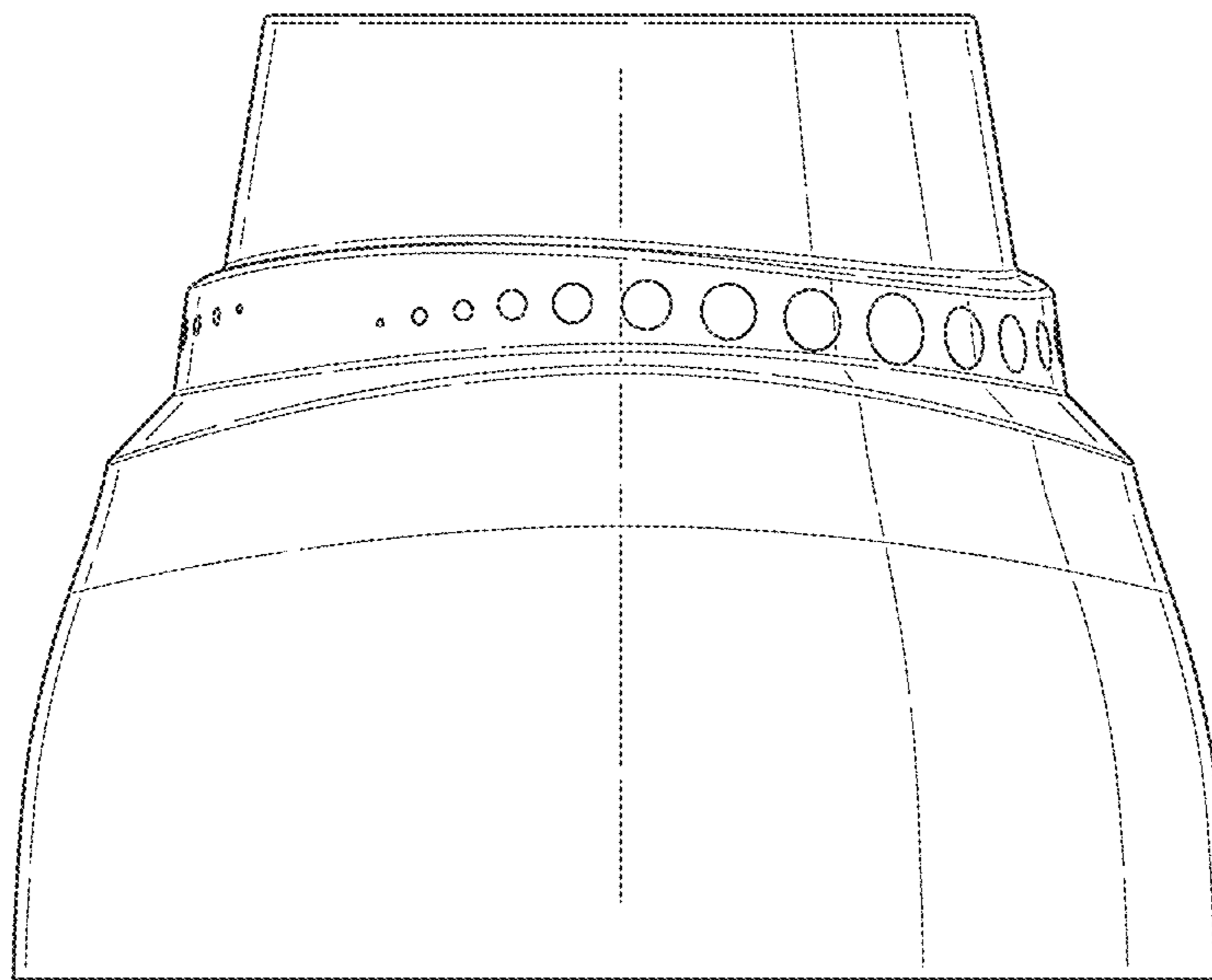


Fig. 5

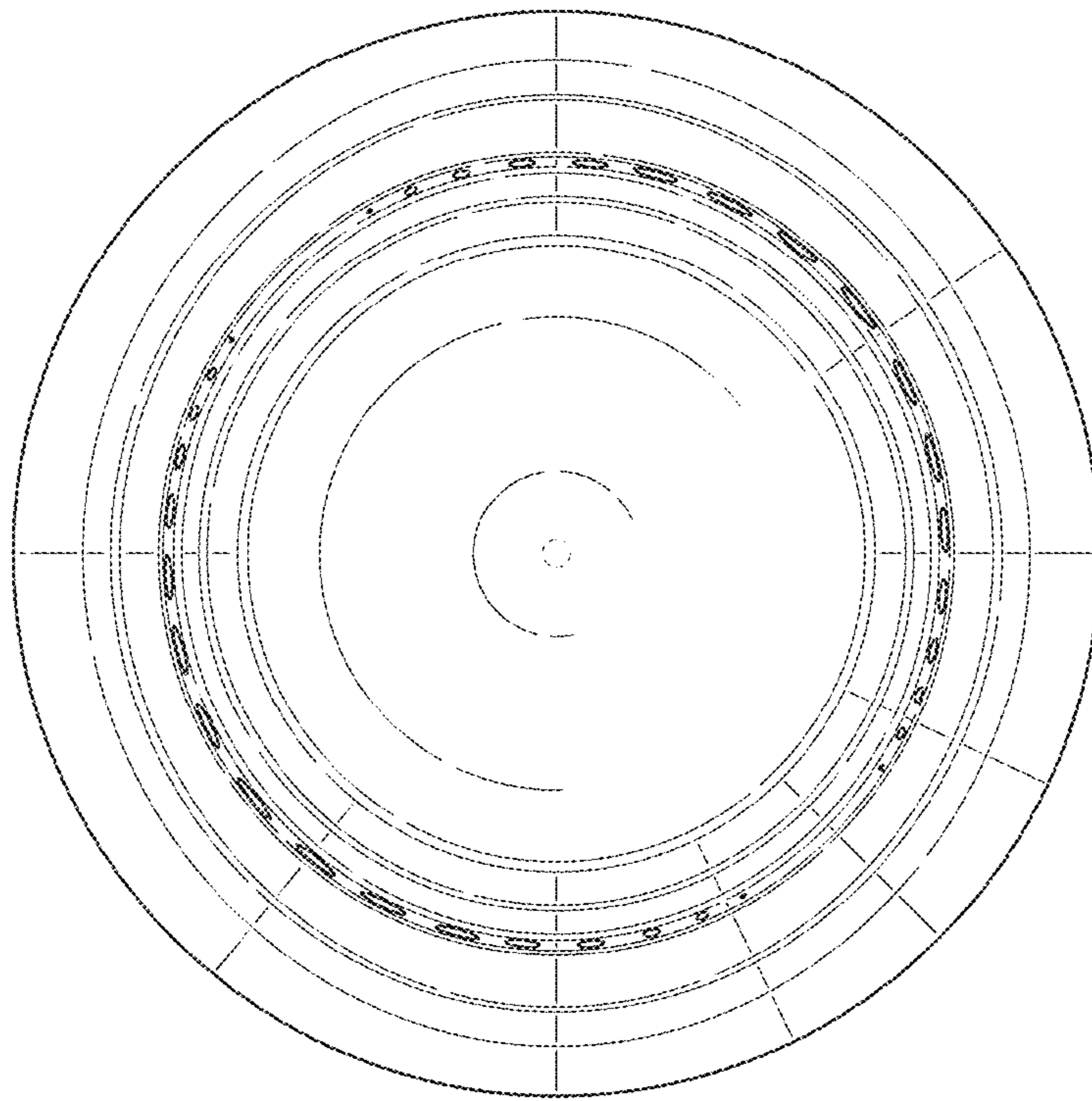


Fig. 6

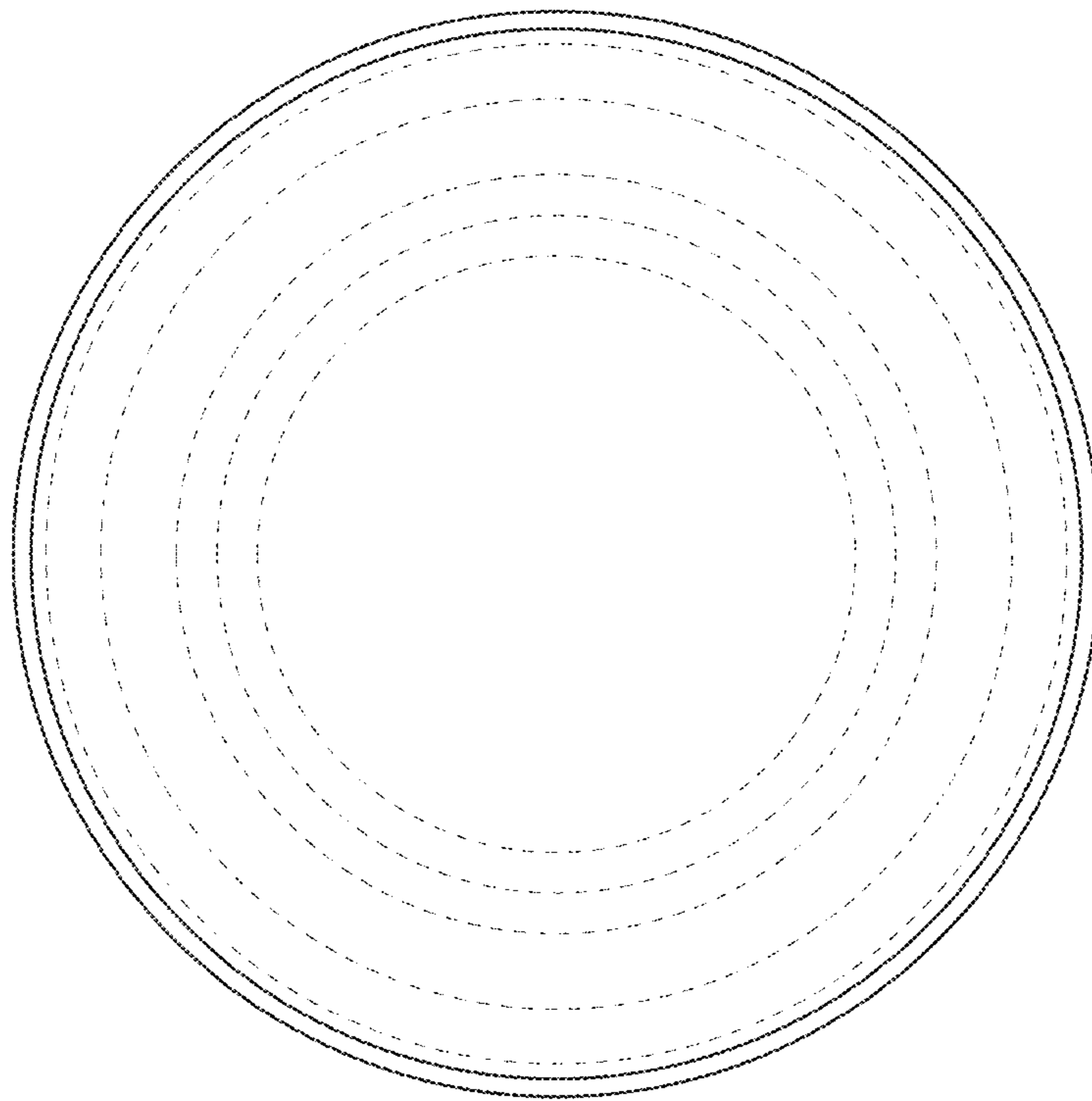


Fig. 7