



US00D904177S

(12) **United States Design Patent**
Peck et al.

(10) **Patent No.:** **US D904,177 S**

(45) **Date of Patent:** **** Dec. 8, 2020**

- (54) **TRAY FASTENER**
- (71) Applicant: **Product Miniature, Inc.**, Pewaukee, WI (US)
- (72) Inventors: **Christopher Peck**, Williams Bay, WI (US); **Craig Fluegge**, Menomonee Falls, WI (US); **Michael Ford**, Brookfield, WI (US)
- (73) Assignee: **Product Miniature, Inc.**, Pewaukee, WI (US)
- (**) Term: **15 Years**

D361,506 S *	8/1995	Rumpel	D8/395
5,507,076 A *	4/1996	Anscher	A44B 11/266 24/616
D393,201 S *	4/1998	Hearidge	D8/395
6,560,830 B1 *	5/2003	Chi	A44B 11/266 24/616
6,871,517 B2 *	3/2005	Bonelli	A44B 11/266 24/166
D651,503 S *	1/2012	Ellis	D8/349
8,443,570 B2 *	5/2013	Olariu	E06B 7/28 52/204.69
D796,939 S *	9/2017	Julian	D8/367
D873,122 S *	1/2020	Cho	D8/382
2007/0062012 A1 *	3/2007	Caison	A44B 11/266 24/302
2008/0196222 A1 *	8/2008	Park	F16B 5/0614 24/530

- (21) Appl. No.: **29/695,615**
- (22) Filed: **Jun. 20, 2019**
- (51) **LOC (12) Cl.** **08-08**
- (52) **U.S. Cl.**
USPC **D8/382**
- (58) **Field of Classification Search**
USPC D8/382, 349, 354, 395; D6/702, 704,
D6/705, 705.4; D11/213, 215, 216
CPC A47F 3/14; A47F 3/147; A47F 5/00; A47F
5/0006; A47F 2005/0012; A47F 5/0018;
A47F 5/0025; A47F 5/0823; A47F 11/10;
A47F 11/06; A44B 11/266
See application file for complete search history.

(Continued)

Primary Examiner — Sandra Snapp
Assistant Examiner — Ieisha N Price
(74) *Attorney, Agent, or Firm* — Boyle Fredrickson, S.C.

(57) **CLAIM**

The ornamental design for a tray fastener, as shown and described.

DESCRIPTION

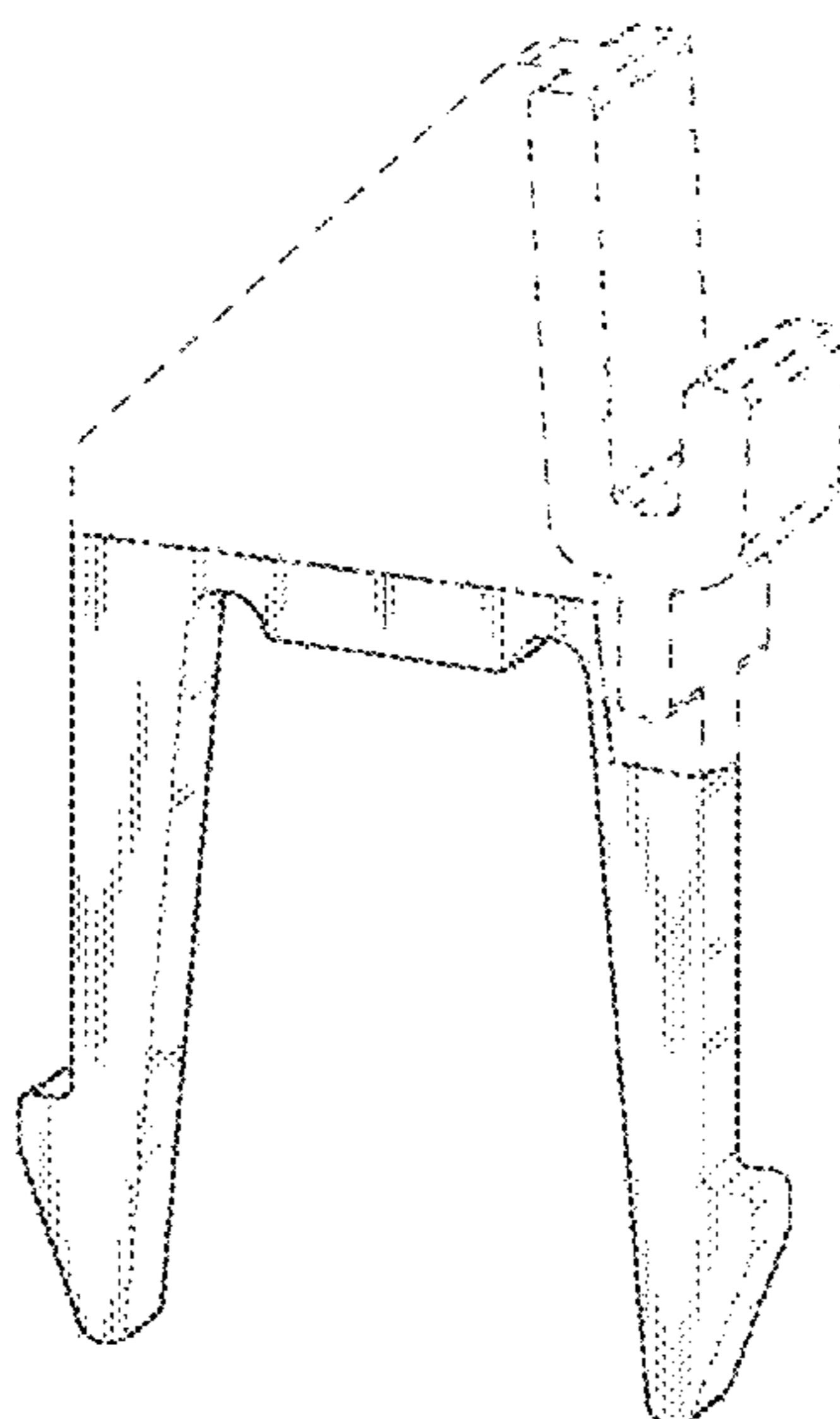
FIG. 1 is a top, front, left isometric view of a tray fastener incorporating our new design;
FIG. 2 is a left side elevation view thereof;
FIG. 3 is a right side elevation view thereof;
FIG. 4 is front end elevation view thereof;
FIG. 5 is a rear end elevation view thereof;
FIG. 6 is a top plan view thereof; and,
FIG. 7 is a bottom plan view thereof.
The broken lines in the drawings illustrate portions of the tray fastener and form no part of the claimed design. The dot-dash-dot broken lines in the drawing define the bounds of the claim and form no part thereof.

(56) **References Cited**

U.S. PATENT DOCUMENTS

4,094,483 A *	6/1978	Busch	F16B 5/0685 248/222.12
D308,472 S *	6/1990	Goetz	D21/618
5,170,539 A *	12/1992	Lundstedt	A44B 11/006 24/194
D335,371 S *	5/1993	Meade	D32/60
5,311,649 A *	5/1994	Suh	A44B 11/266 24/616
5,419,020 A *	5/1995	Murai	A44B 11/266 24/625

1 Claim, 7 Drawing Sheets



(56)

References Cited

U.S. PATENT DOCUMENTS

2010/0000056 A1* 1/2010 Hsieh A44B 11/266
24/163 R
2019/0387902 A1* 12/2019 Peck F21V 21/35

* cited by examiner

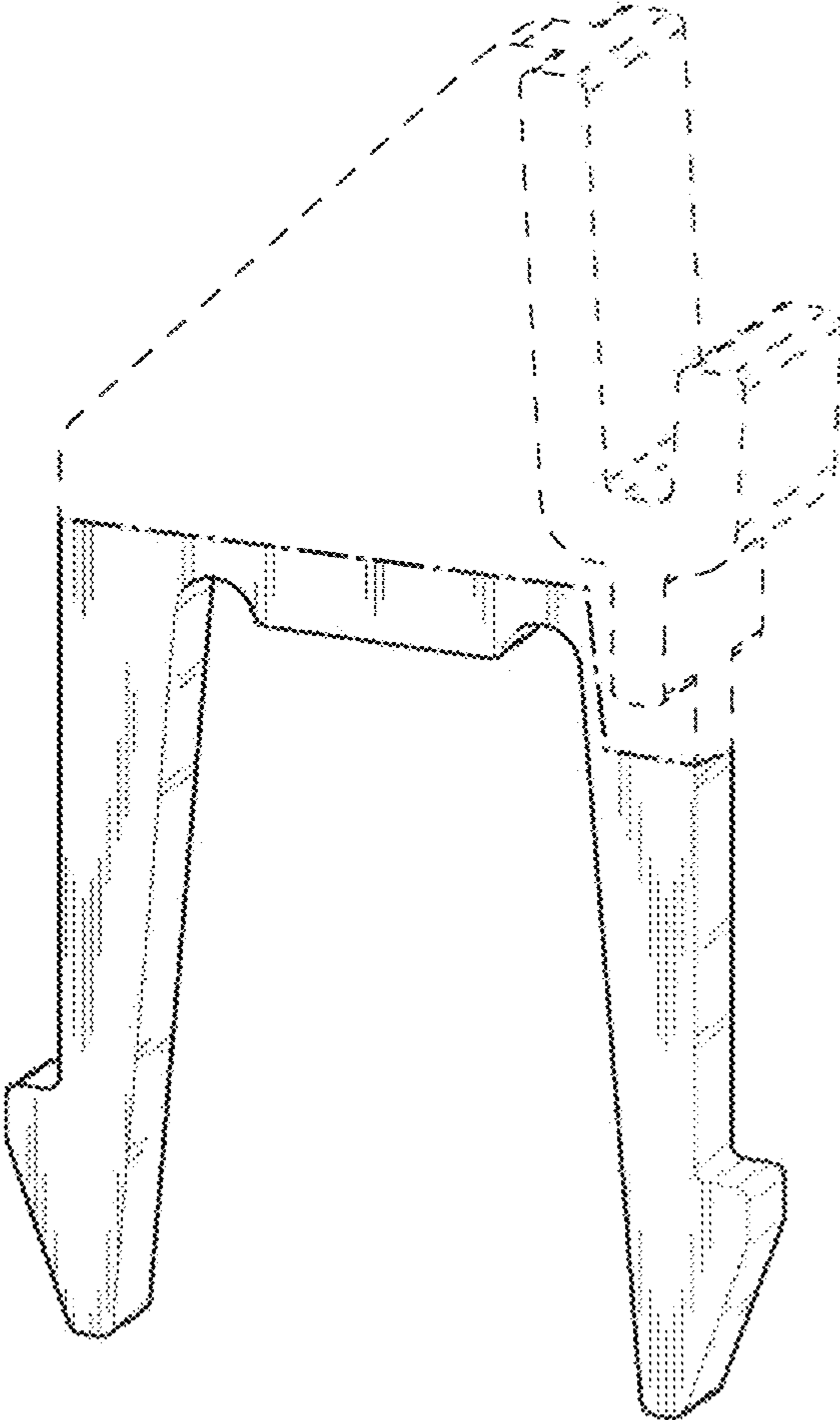


FIG. 1

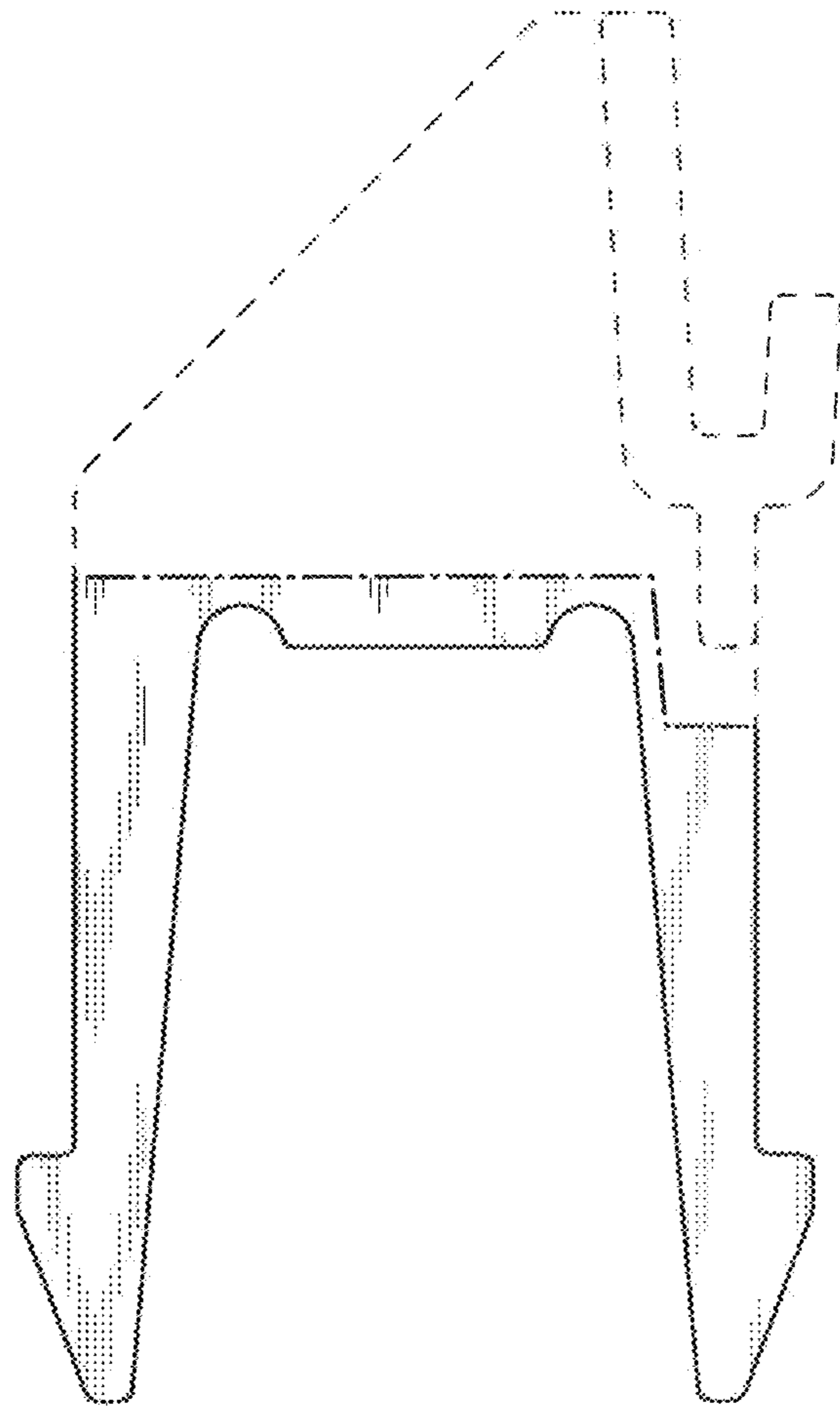


FIG. 2

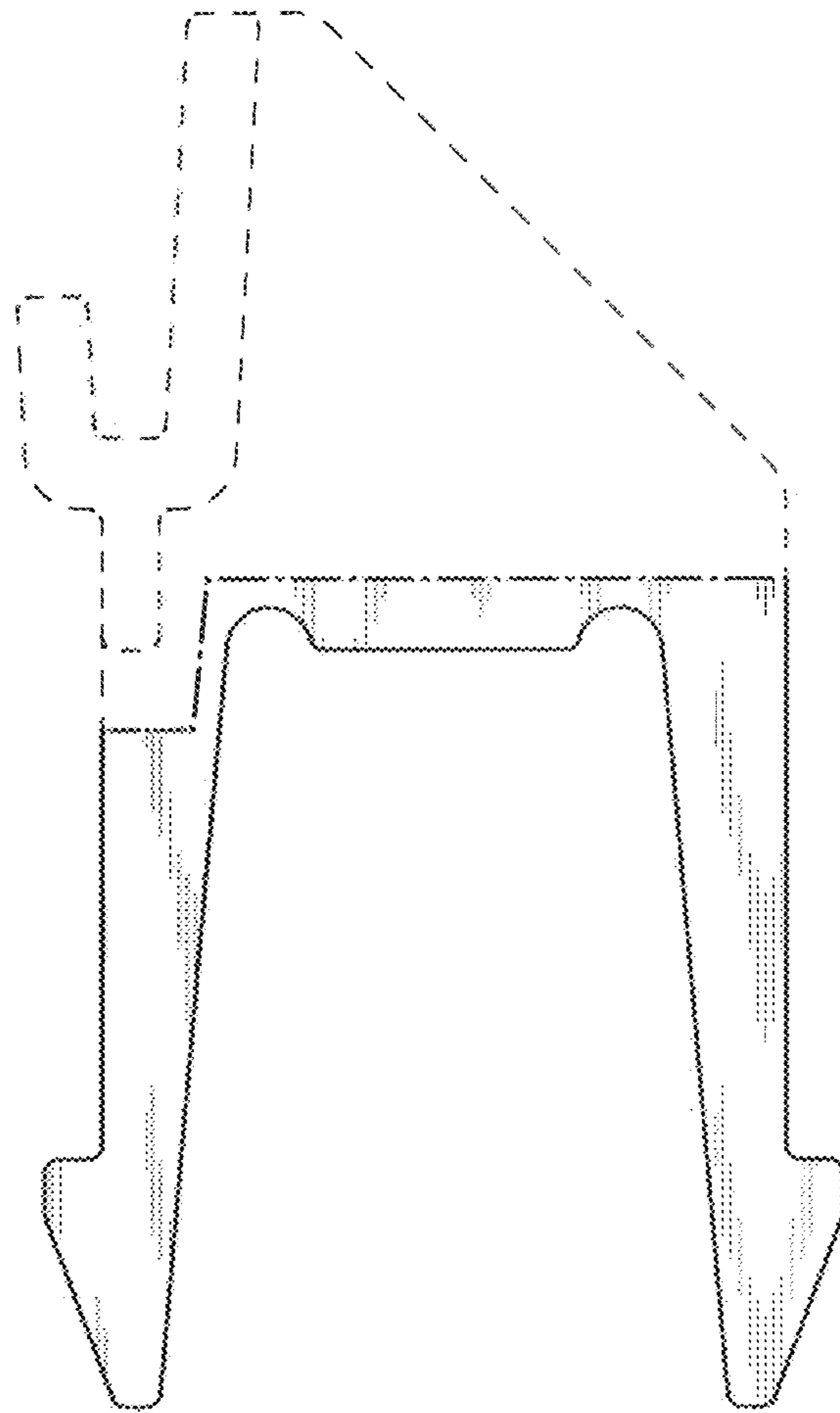


FIG. 3

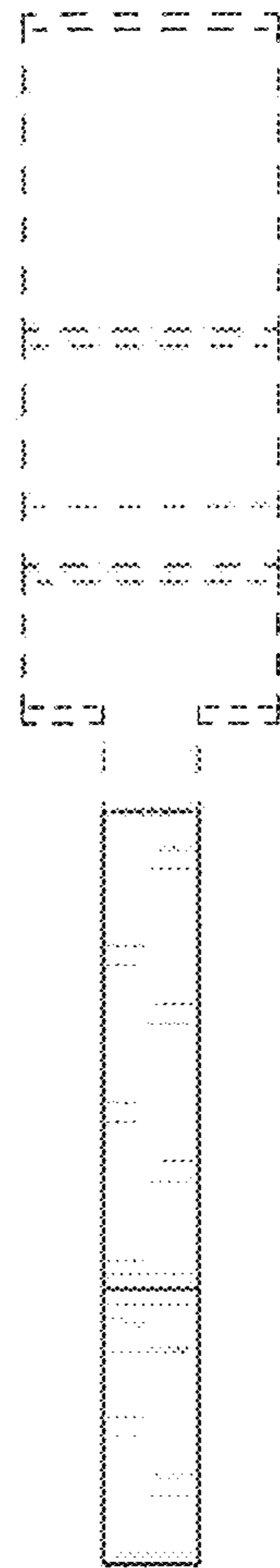


FIG. 4

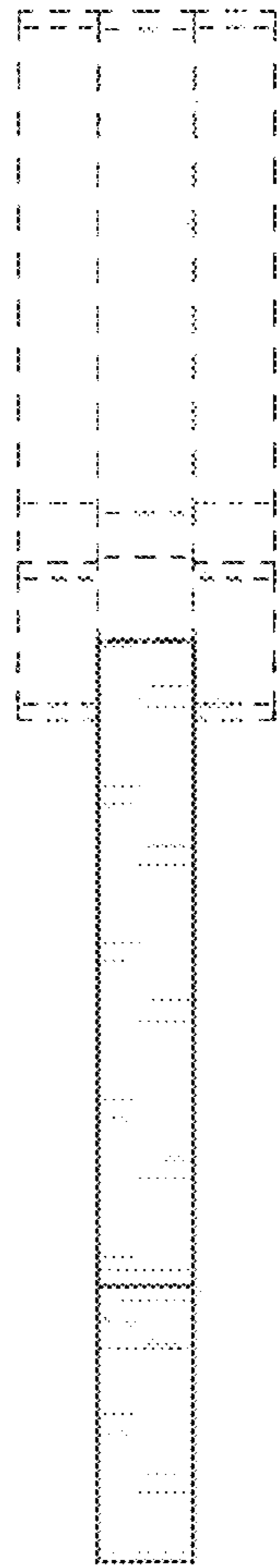


FIG. 5

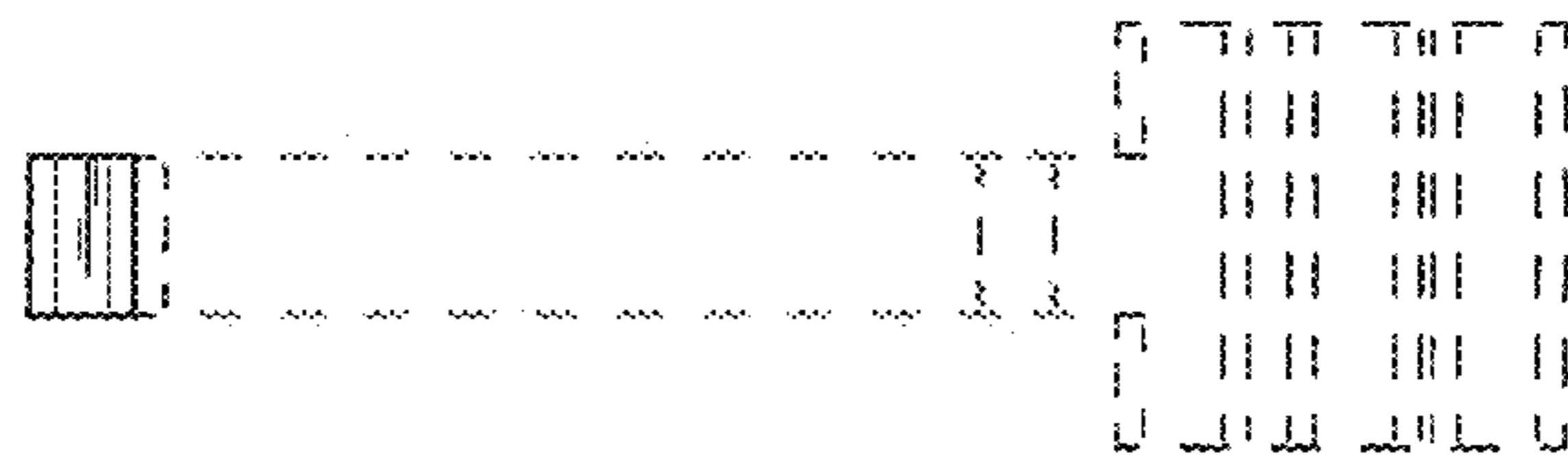


FIG. 6

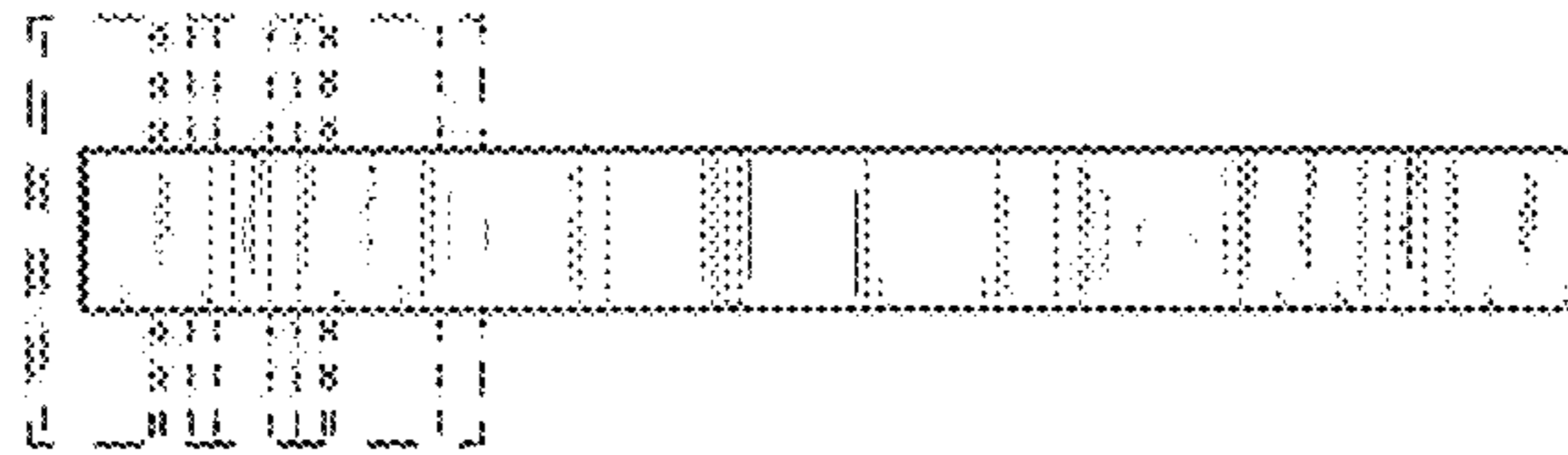


FIG. 7