



US00D904175S

(12) **United States Design Patent** (10) **Patent No.:** **US D904,175 S**
Williams (45) **Date of Patent:** **** Dec. 8, 2020**

(54) **CHAIR-TO-DESK LOCK**
(71) Applicant: **James Williams**, Rocklin, CA (US)
(72) Inventor: **James Williams**, Rocklin, CA (US)
(**) Term: **15 Years**
(21) Appl. No.: **29/678,438**
(22) Filed: **Jan. 29, 2019**
(51) **LOC (12) Cl.** **08-08**
(52) **U.S. Cl.**
USPC **D8/382**
(58) **Field of Classification Search**
USPC D8/382, 349, 354, 394; D6/702, 716.7
CPC . A47B 85/04; A47B 2230/0085; A47B 97/00;
A47B 2220/0044; A47B 2220/02; A47B
2220/07; A47B 2230/00; A47B 2230/07
See application file for complete search history.

(56) **References Cited**
U.S. PATENT DOCUMENTS
1,431,662 A * 10/1922 Horning B60T 17/046
248/300
D189,155 S * 11/1960 Surratt D8/71
D266,483 S * 10/1982 Merry D8/356
D269,760 S * 7/1983 Geney D8/382
D275,450 S * 9/1984 Wegener, II D8/373
D275,553 S * 9/1984 Emmie D8/363
D291,776 S * 9/1987 Miller D8/382
D292,670 S * 11/1987 Seegmiller D8/382
D307,078 S * 4/1990 Guillemet D6/300
D313,170 S * 12/1990 Nye D8/382
D331,006 S * 11/1992 Dziedzic D8/354
D392,865 S * 3/1998 King, Jr. D8/354
D409,078 S * 5/1999 Bolt D8/354
D423,774 S * 5/2000 Peterson D3/229
D426,453 S * 6/2000 Stearns D8/354
D430,479 S * 9/2000 McDonald D8/354
D468,252 S * 1/2003 Morris D12/223

6,547,478 B1 * 4/2003 Lin A47B 96/061
248/200
D484,399 S * 12/2003 Arthur D8/394
D502,387 S * 3/2005 Hyakkoku D8/354
D537,322 S * 2/2007 Tassakos D8/349
D548,064 S * 8/2007 Norton D8/380
D555,459 S * 11/2007 Goodwin, III D8/363
D572,566 S * 7/2008 Kahonen D8/300
D599,272 S * 9/2009 Feder D12/223
D619,440 S * 7/2010 Schoening D8/71
D619,878 S * 7/2010 Sjoqvist D8/354
D628,539 S * 12/2010 Tezak D13/152
D638,696 S * 5/2011 Kubota D8/394

(Continued)

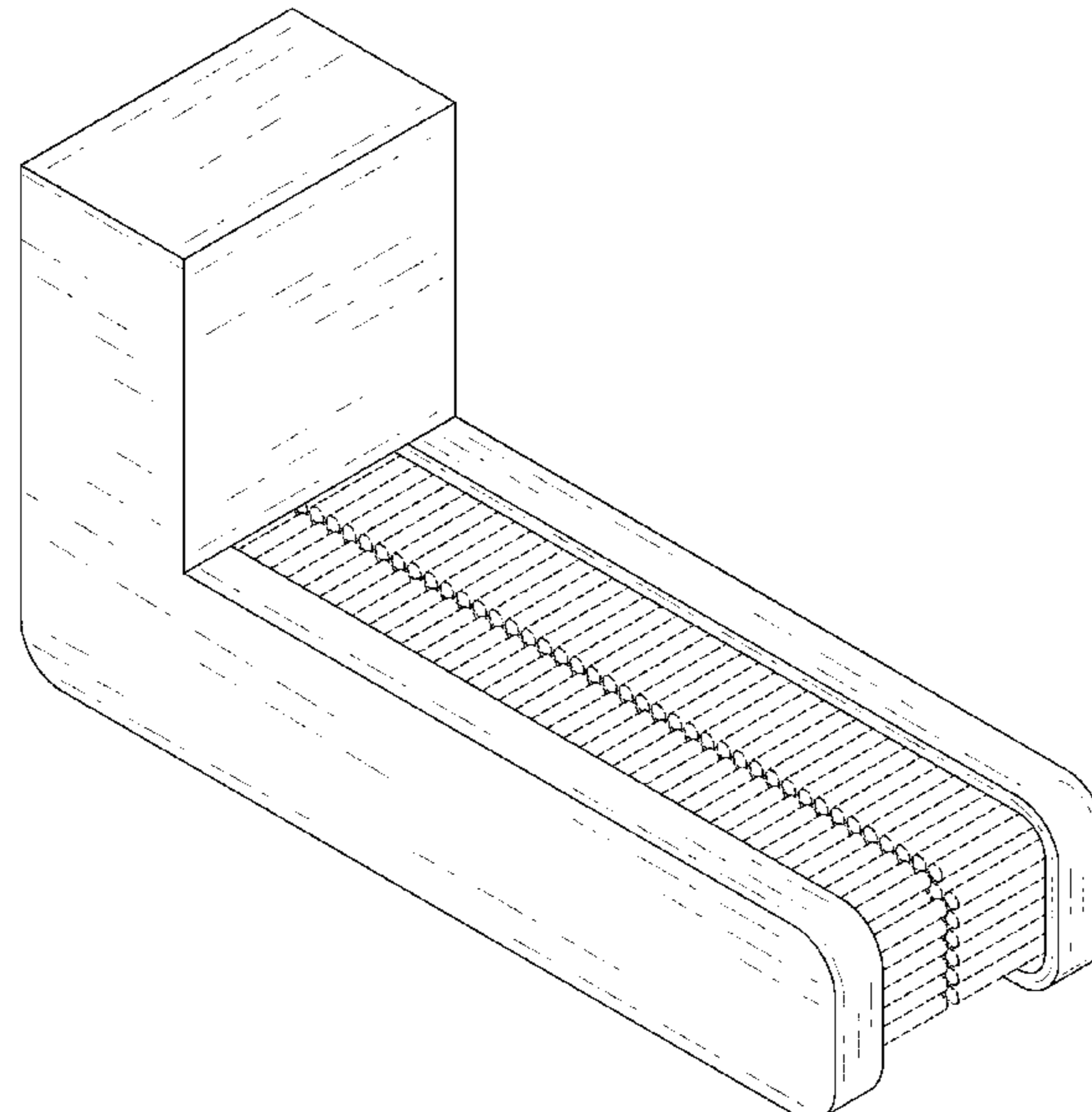
Primary Examiner — Sandra Snapp
Assistant Examiner — Ieisha N Price

(57) **CLAIM**
The ornamental design for a chair-to-desk lock, as shown and described.

DESCRIPTION

FIG. 1 is a top front perspective view of a chair-to-desk lock showing my new design;
FIG. 2 is a bottom front perspective view thereof;
FIG. 3 is a top rear perspective view thereof;
FIG. 4 is a front view thereof;
FIG. 5 is a rear view thereof;
FIG. 6 is a top view thereof;
FIG. 7 is a bottom view thereof;
FIG. 8 is a left side view thereof;
FIG. 9 is a right side view thereof;
FIG. 10 is a cross sectional view taken along line 10-10 in FIG. 8; and,
FIG. 11 is an environmental top front perspective view thereof showing a plurality of bristles.
The broken line showing of the bristles in FIG. 8 illustrates the environment of the claimed design and forms no part thereof.

1 Claim, 11 Drawing Sheets



(56)

References Cited

U.S. PATENT DOCUMENTS

D655,149	S	*	3/2012	Dotsey	D8/354
D656,813	S	*	4/2012	Dotsey	D8/354
D663,609	S	*	7/2012	Ogden, Jr.	D8/354
D665,656	S	*	8/2012	Anzelmo	D8/380
D668,562	S	*	10/2012	Madrack	D10/65
D733,531	S	*	7/2015	Tonthat	D8/354
D735,770	S	*	8/2015	Schaffert	D15/28
D736,598	S	*	8/2015	Keen	D8/354
D737,124	S	*	8/2015	Sasanecki	D8/366
D752,417	S	*	3/2016	Witting	D8/354
D760,066	S	*	6/2016	Krenek	D8/354
D760,577	S	*	7/2016	Gill, Jr.	D8/349
D768,466	S	*	10/2016	Simmons	D8/354
D772,784	S	*	11/2016	Higgins	D12/415
D783,386	S	*	4/2017	Collins, IV	D8/354
D795,844	S	*	8/2017	Harper	D14/224
D825,317	S	*	8/2018	Klein	D8/354
D826,031	S	*	8/2018	Klein	D8/354
D858,897	S	*	9/2019	Cress	D29/130
D871,891	S	*	1/2020	Emanuel	D8/349
D876,211	S	*	2/2020	Wassdahl	D8/382
2015/0083874	A1	*	3/2015	Gill, Jr.	B44C 5/02 248/217.2

* cited by examiner

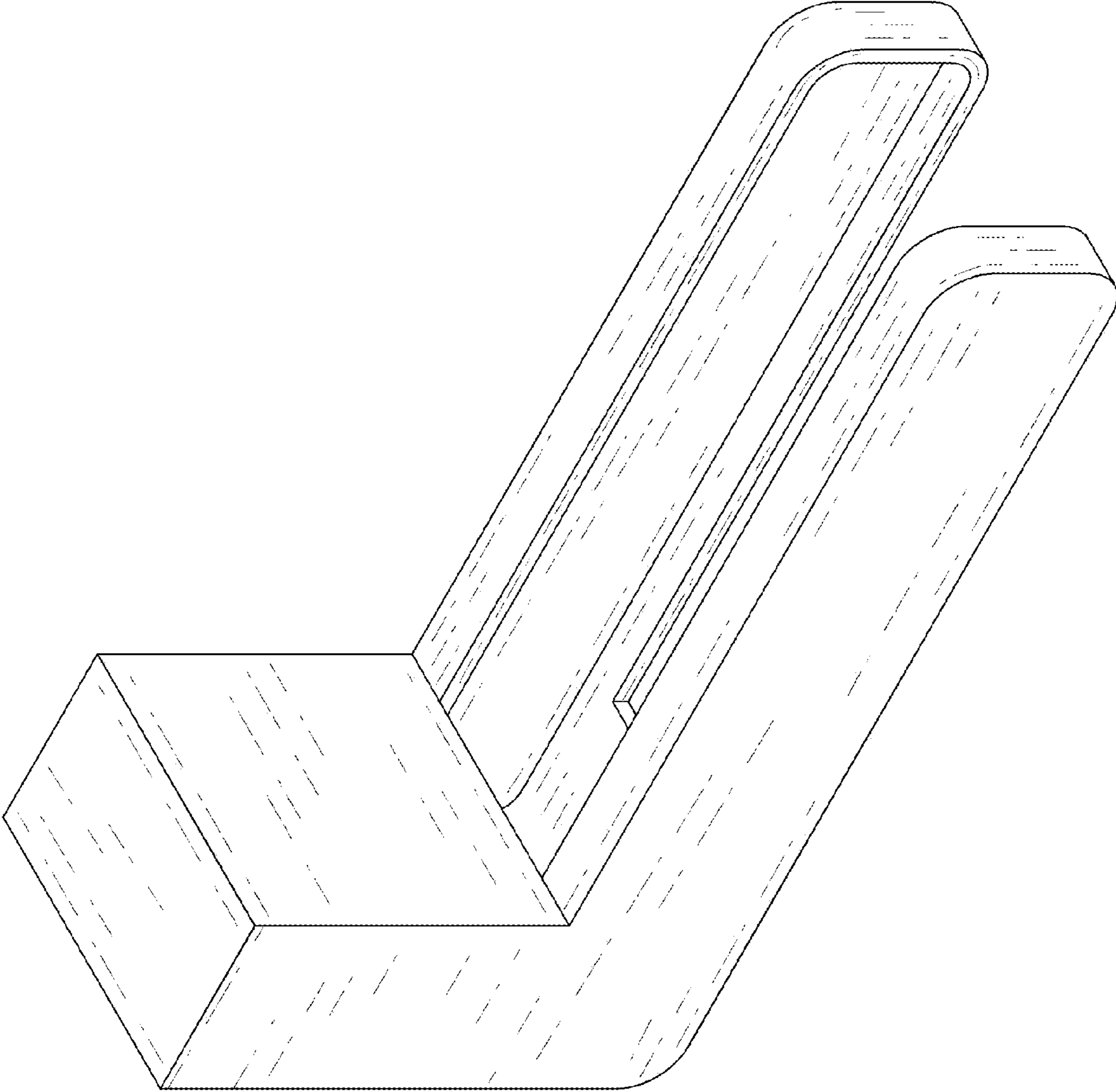


FIG 1

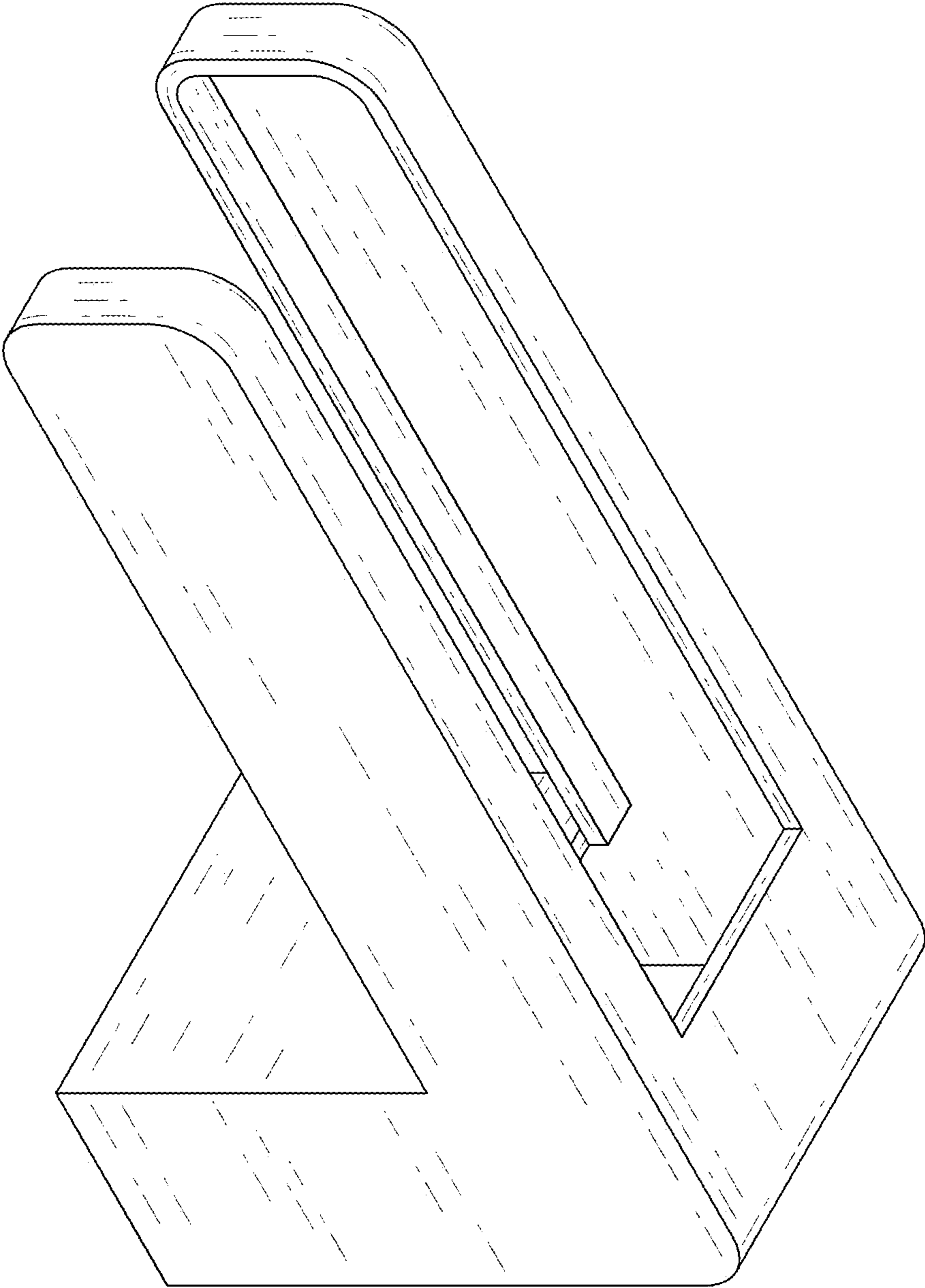


FIG 2

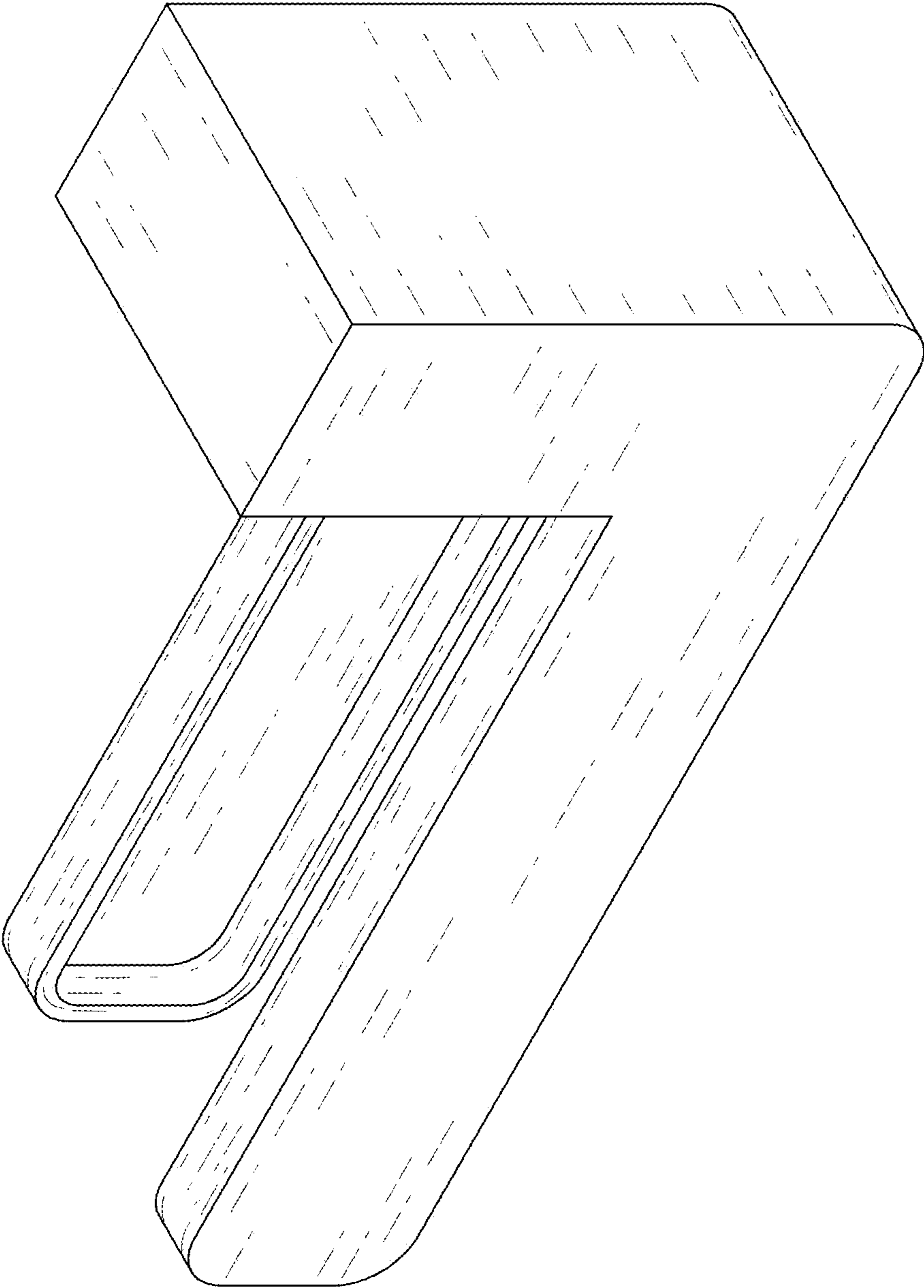


FIG 3

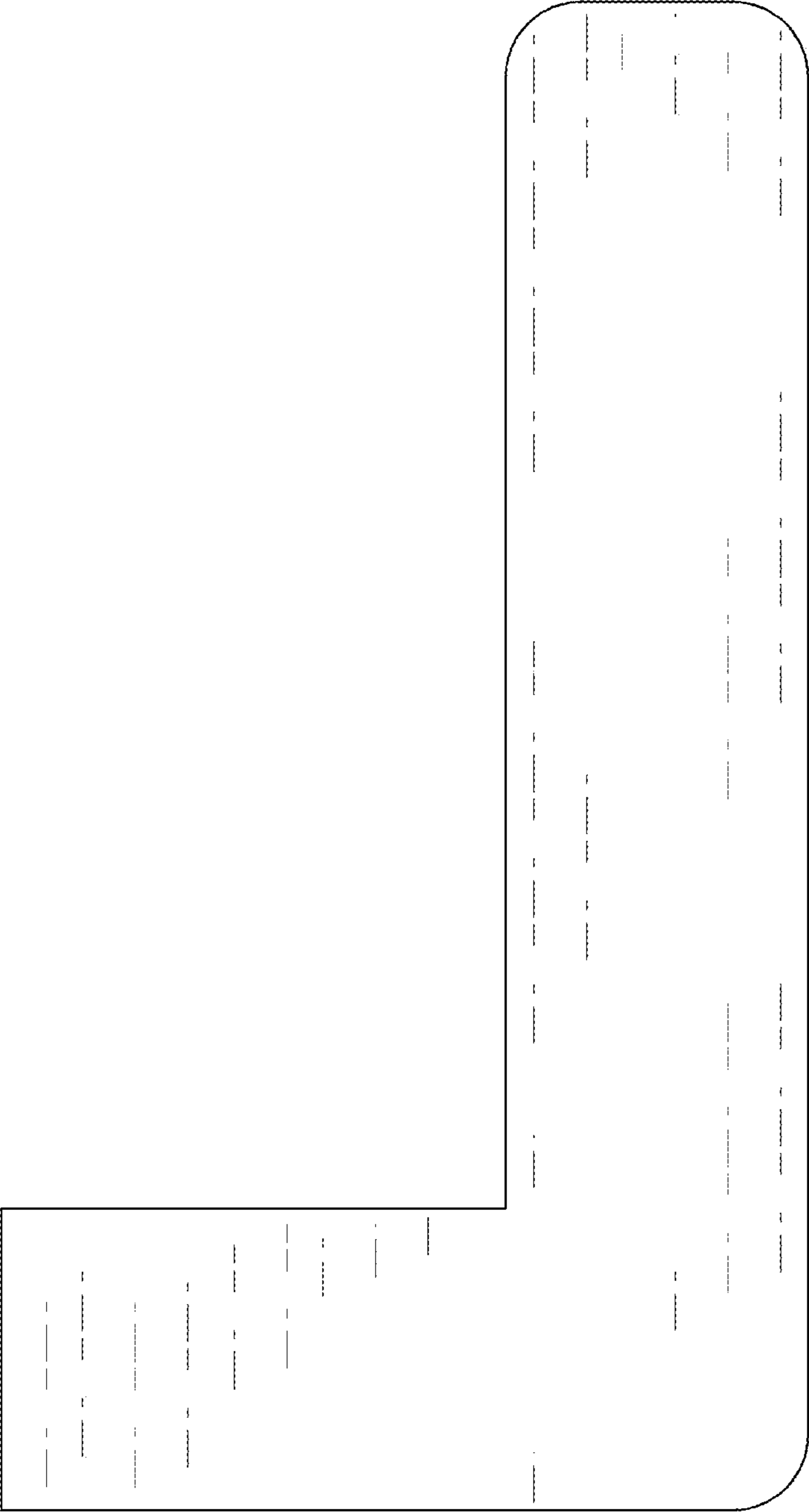


FIG 4

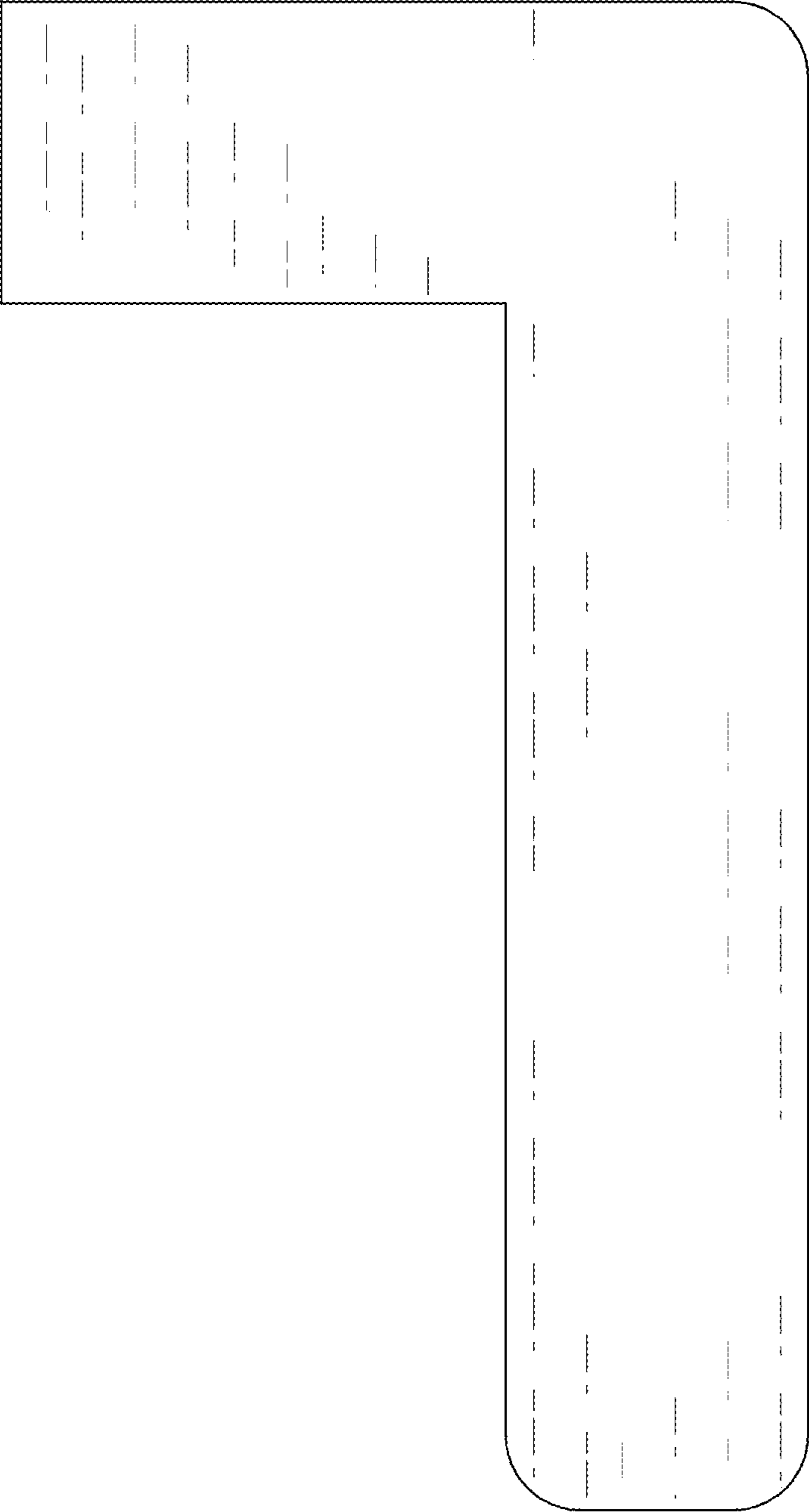


FIG 5

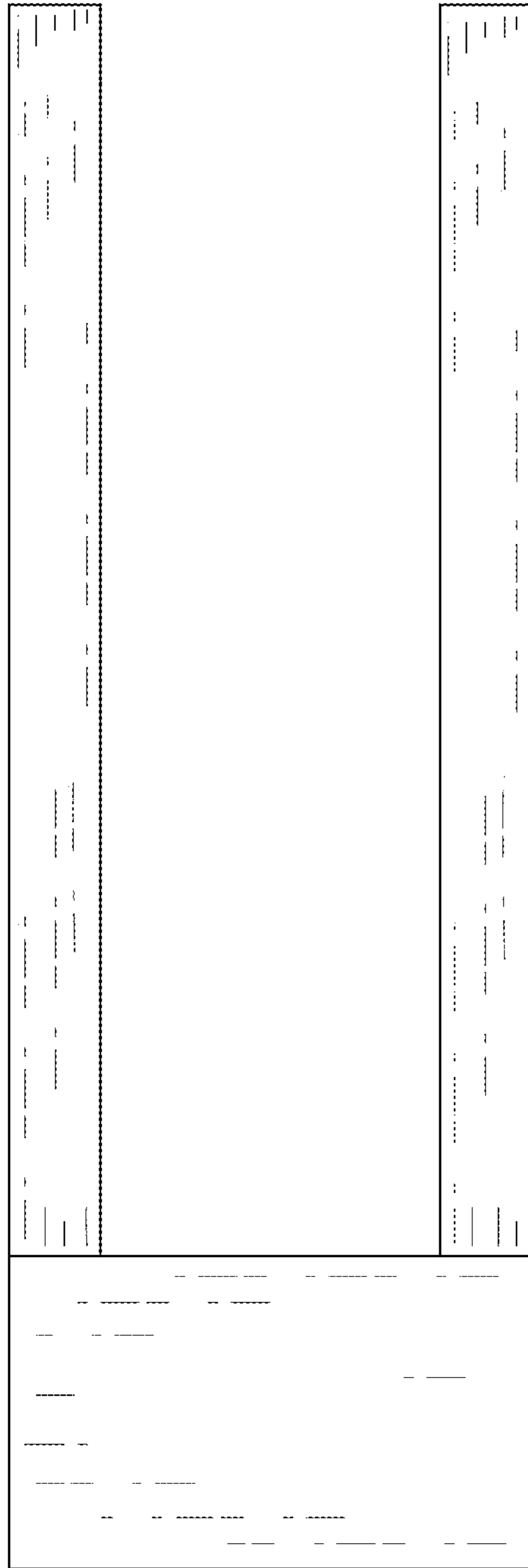


FIG 6

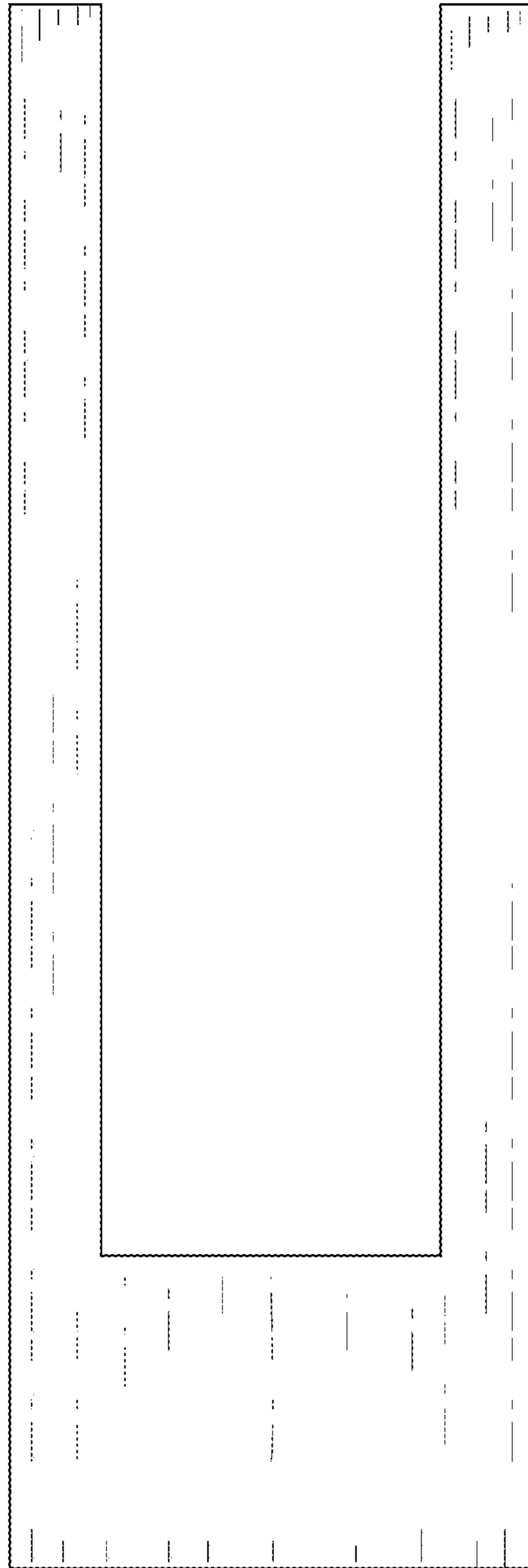


FIG 7

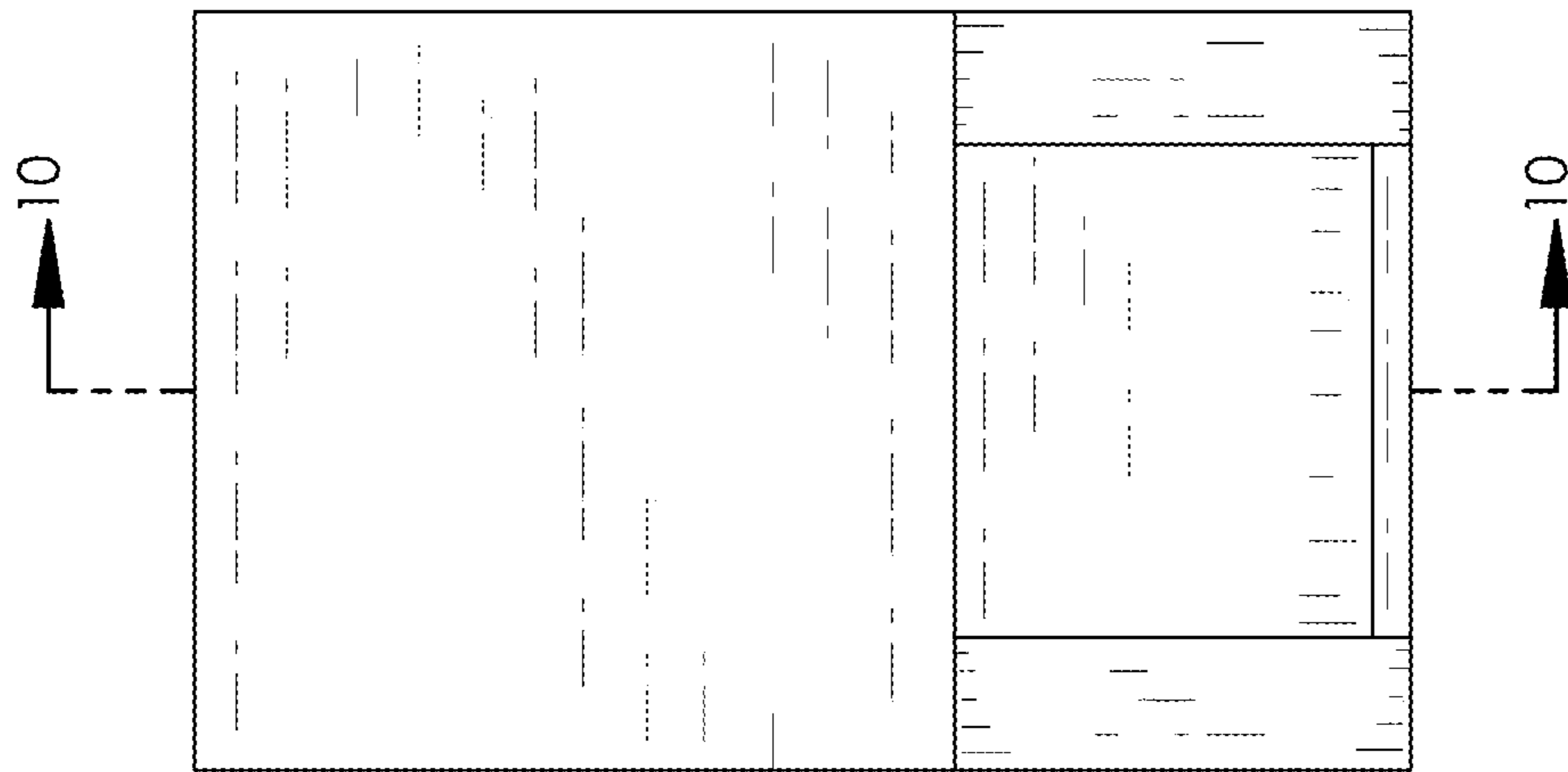


FIG 8

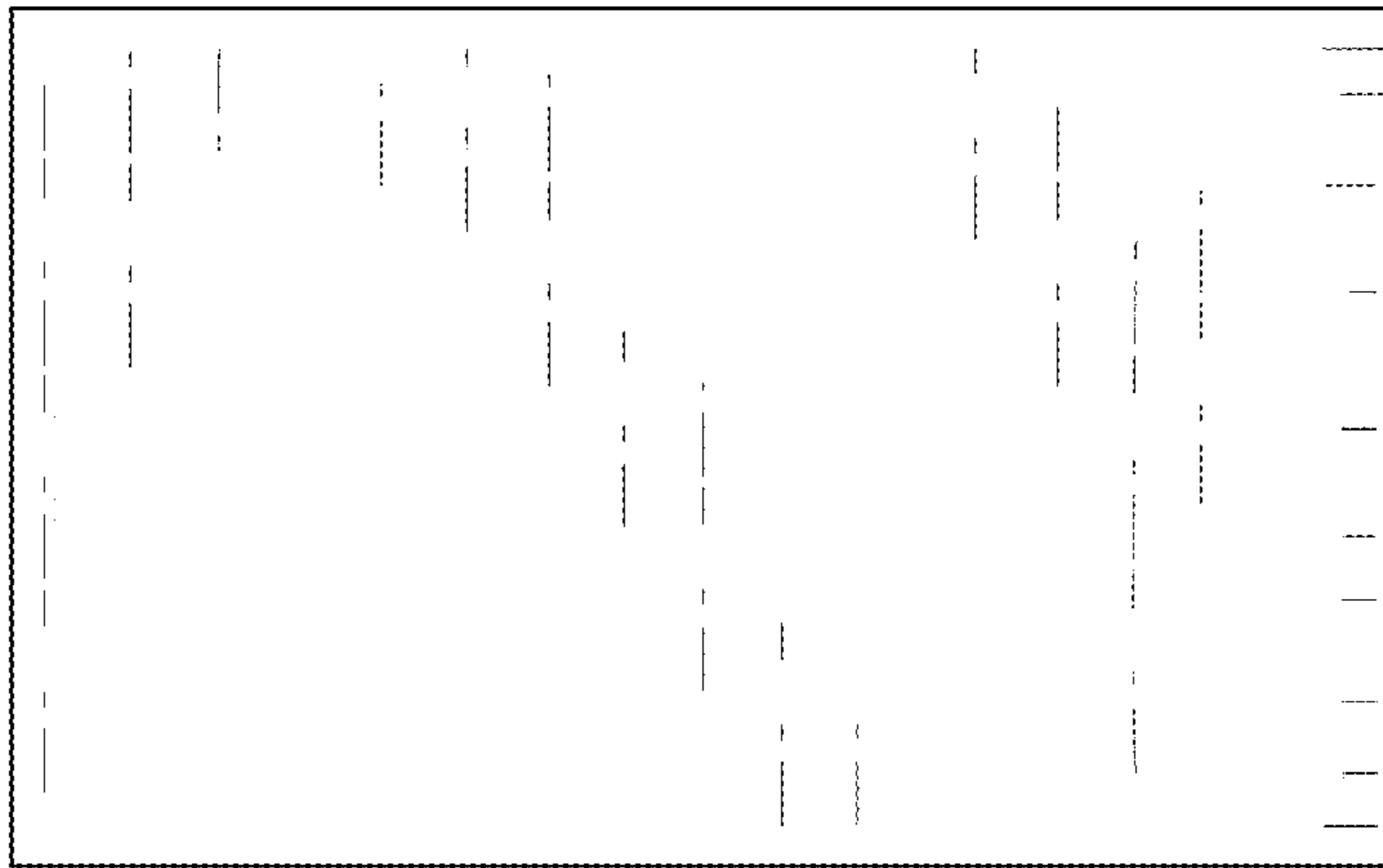


FIG 9

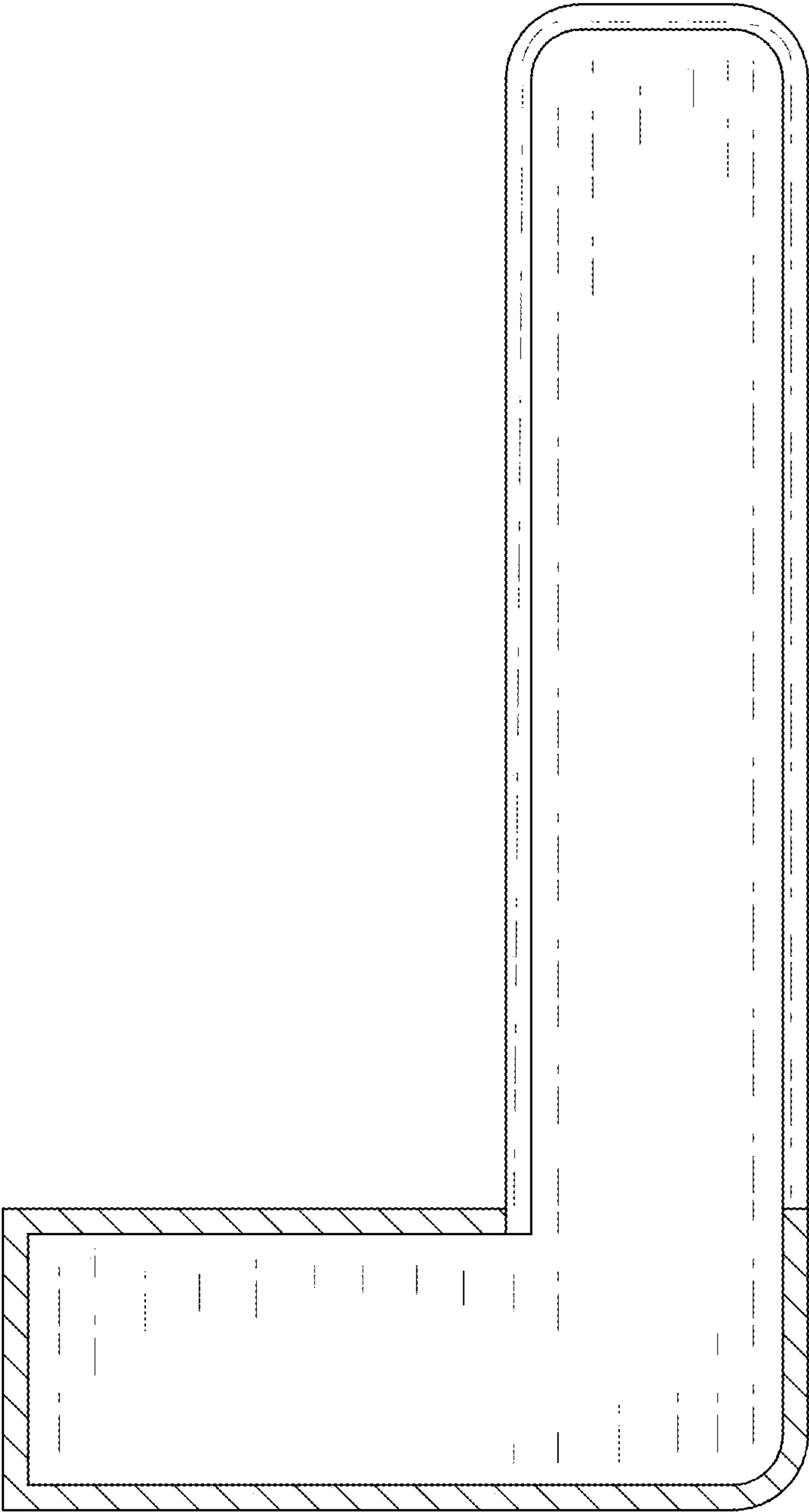


FIG 10

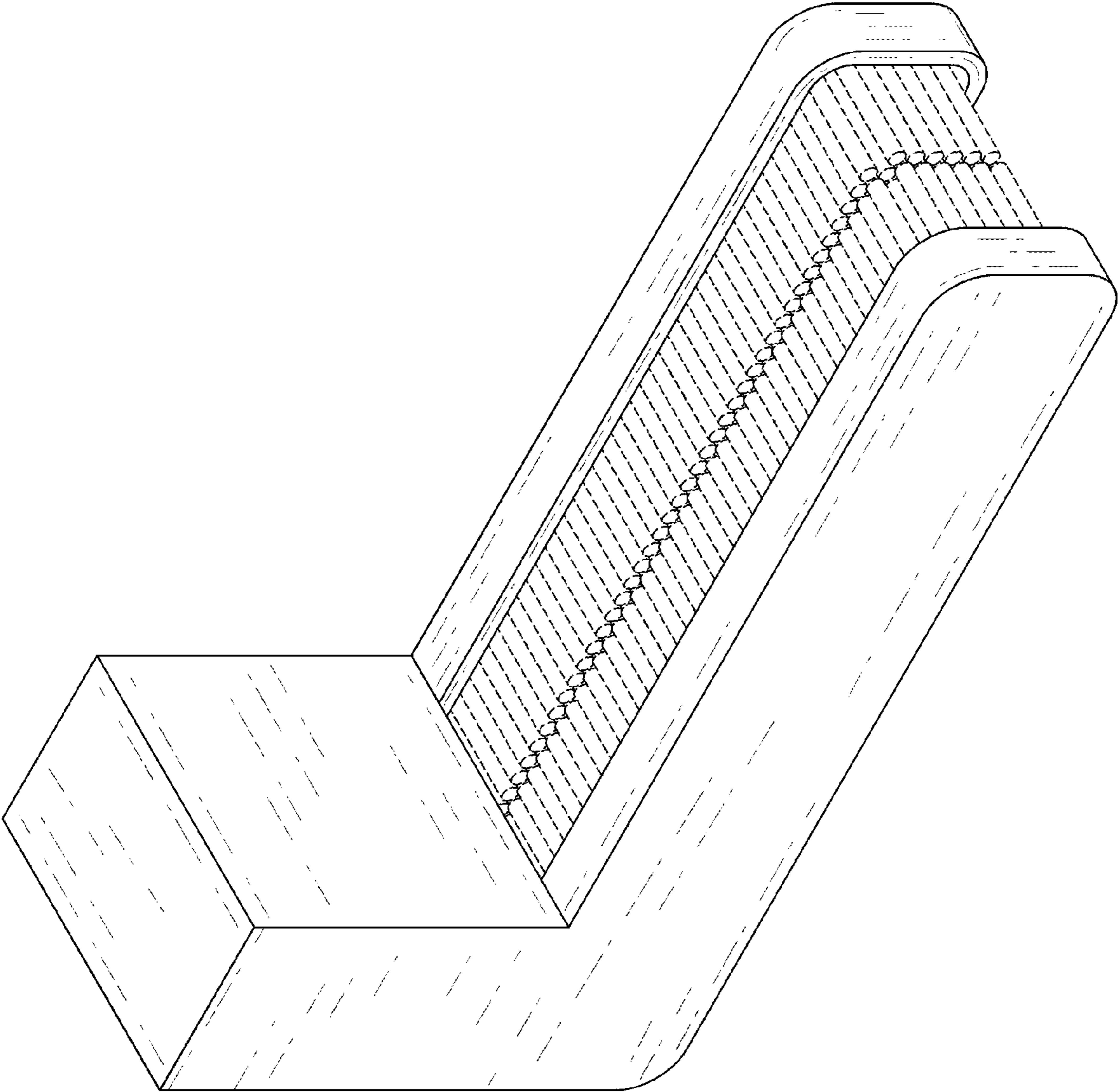


FIG 11