



US00D904174S

(12) **United States Design Patent** (10) **Patent No.:** **US D904,174 S**
Yang (45) **Date of Patent:** **** Dec. 8, 2020**

- (54) **HOLDER FOR FISHING LINE SPOOL**
- (71) Applicant: **Yao I Fabric Co., Ltd.**, Changhua County (TW)
- (72) Inventor: **Shun-Fa Yang**, Changhua County (TW)
- (73) Assignee: **Yao I Fabric Co., Ltd.**, Changhua County (TW)
- (**) Term: **15 Years**
- (21) Appl. No.: **29/700,764**
- (22) Filed: **Aug. 6, 2019**
- (30) **Foreign Application Priority Data**
Jul. 5, 2019 (TW) 108304050
- (51) **LOC (12) Cl.** **09-06**
- (52) **U.S. Cl.**
USPC **D8/356**
- (58) **Field of Classification Search**
USPC D8/356, 354, 367, 349, 373, 323, 397;
D3/24; 248/301, 302, 303, 304, 339, 507
CPC A62B 35/0037; B66C 1/25; B66C 1/36;
F16B 45/02
See application file for complete search history.

- D866,478 S * 11/2019 Hoshikawa D13/155
- D867,859 S * 11/2019 Herbert D8/356
- D885,870 S * 6/2020 Reilly D8/356
- D891,487 S * 7/2020 Huang D8/367

OTHER PUBLICATIONS

PLUSINNO Fishing Line Spooler Spooling Station System Machine Multifunction Baitcasting Reel Spooler Fishing Line Winder, Amazon.com (Year: 2018).*

* cited by examiner

Primary Examiner — Catherine R Oliver-Garcia

(74) *Attorney, Agent, or Firm* — Winston Hsu

(57) **CLAIM**

The ornamental design for a holder for fishing line spool, as shown and described.

DESCRIPTION

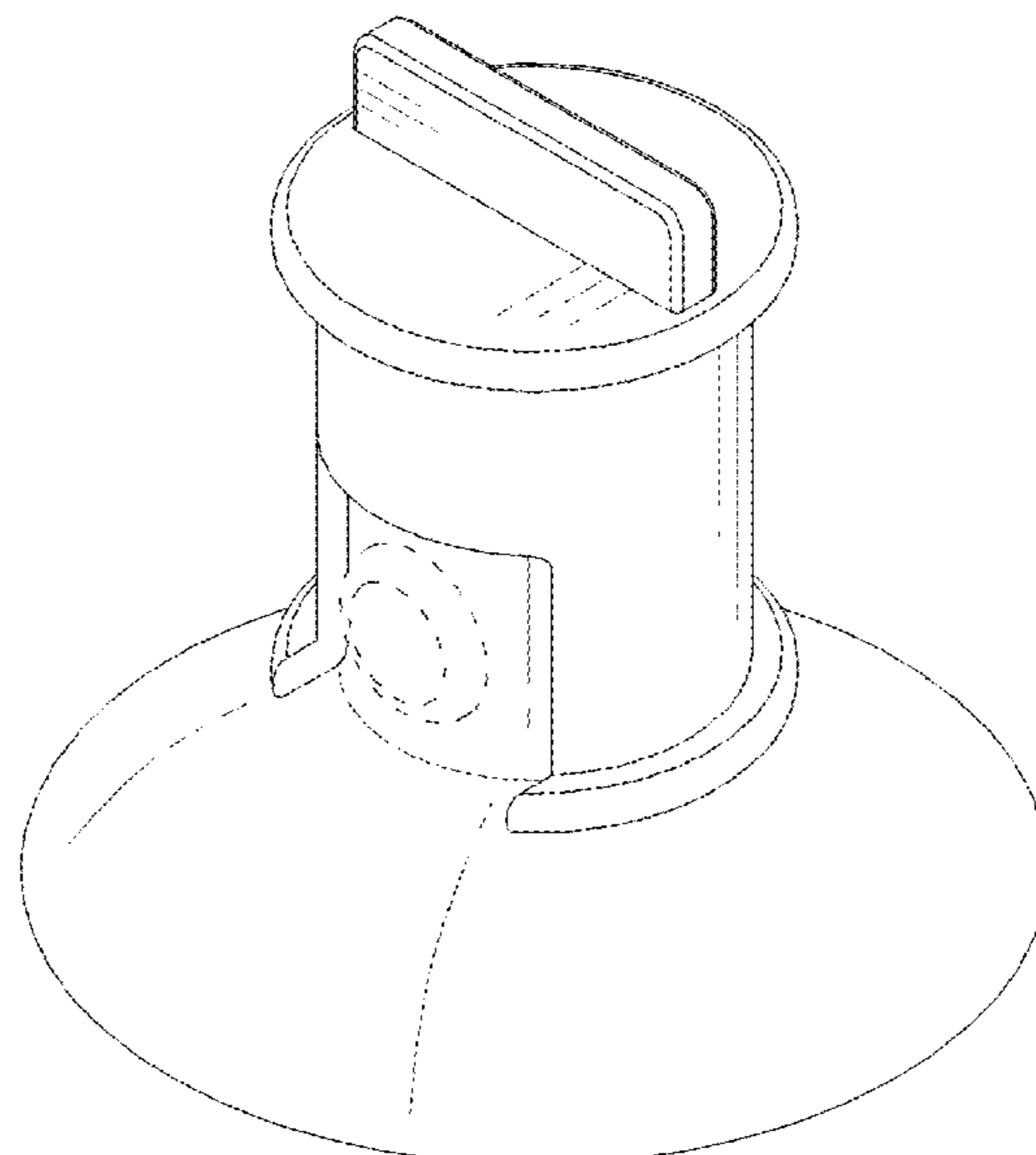
FIG. 1 is a top, front, and right side perspective view for a holder for fishing line spool showing my new design;
 FIG. 2 is a front elevation view thereof;
 FIG. 3 is a rear elevation view thereof;
 FIG. 4 is a left side elevation view thereof;
 FIG. 5 is a right side elevation view thereof;
 FIG. 6 is a top plan view thereof;
 FIG. 7 is a bottom plan view thereof;
 FIG. 8 is a top, front and right side perspective view for a second embodiment of a holder for fishing line spool showing my new design;
 FIG. 9 is a front elevation view thereof;
 FIG. 10 is a rear elevation view thereof;
 FIG. 11 is a left side elevation view thereof;
 FIG. 12 is a right side elevation view thereof;
 FIG. 13 is a top plan view thereof; and,
 FIG. 14 is a bottom plan view thereof.
 The broken lines depict portions of the holder for fishing line spool that form no part of the claimed design.

1 Claim, 12 Drawing Sheets

(56) **References Cited**

U.S. PATENT DOCUMENTS

- D595,120 S * 6/2009 Plowman D8/356
- D692,293 S * 10/2013 Toscani D8/356
- D707,534 S * 6/2014 Crouse D8/356
- D731,296 S * 6/2015 Nelson D8/356
- D738,707 S * 9/2015 Tung D8/356
- D771,475 S * 11/2016 Pan D8/367
- D803,666 S * 11/2017 Morley D8/356
- D827,763 S * 9/2018 Bustamante D22/149
- D839,084 S * 1/2019 Mikoska D8/356
- D859,960 S * 9/2019 Falkenhayn D8/356



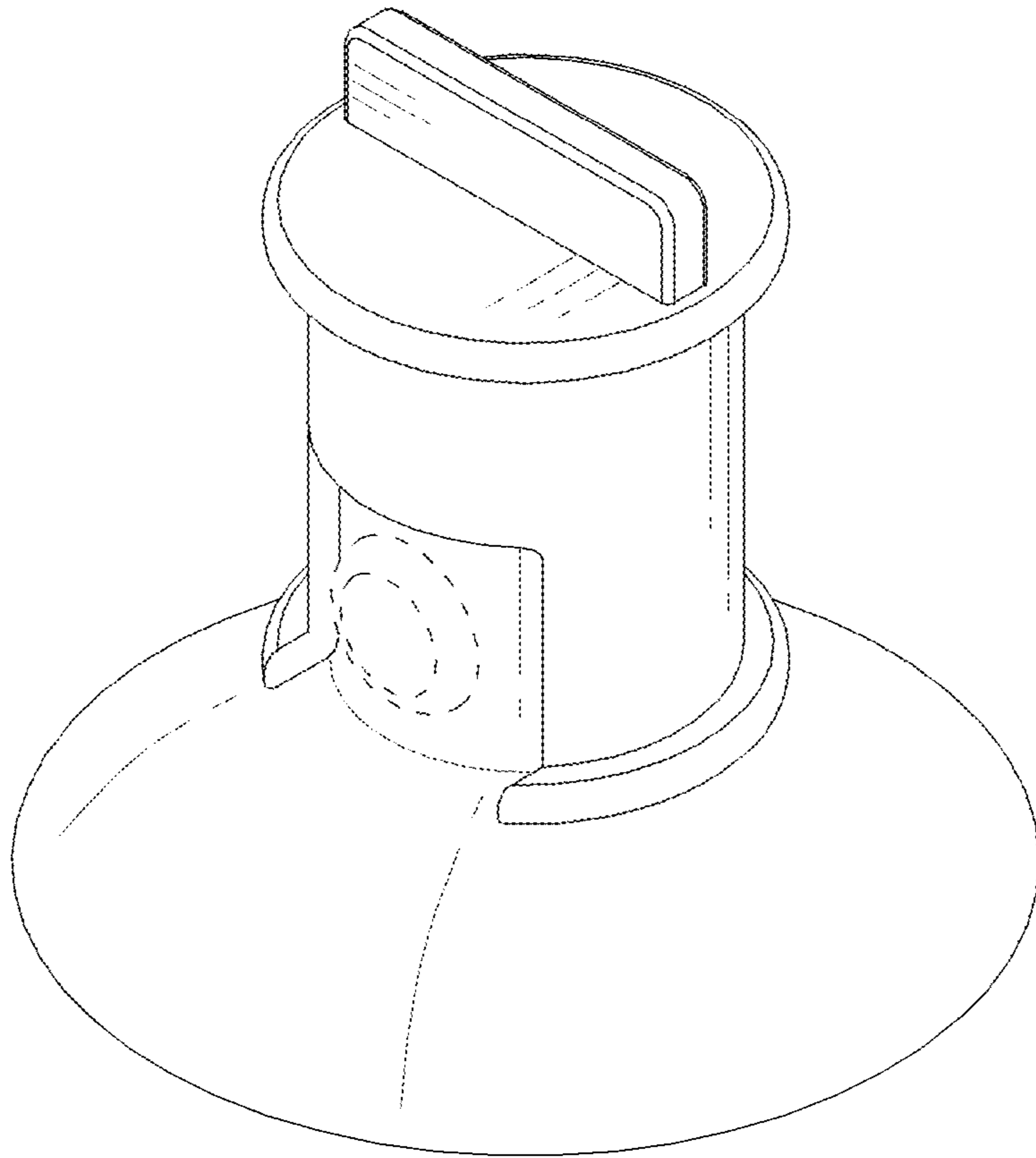


FIG. 1

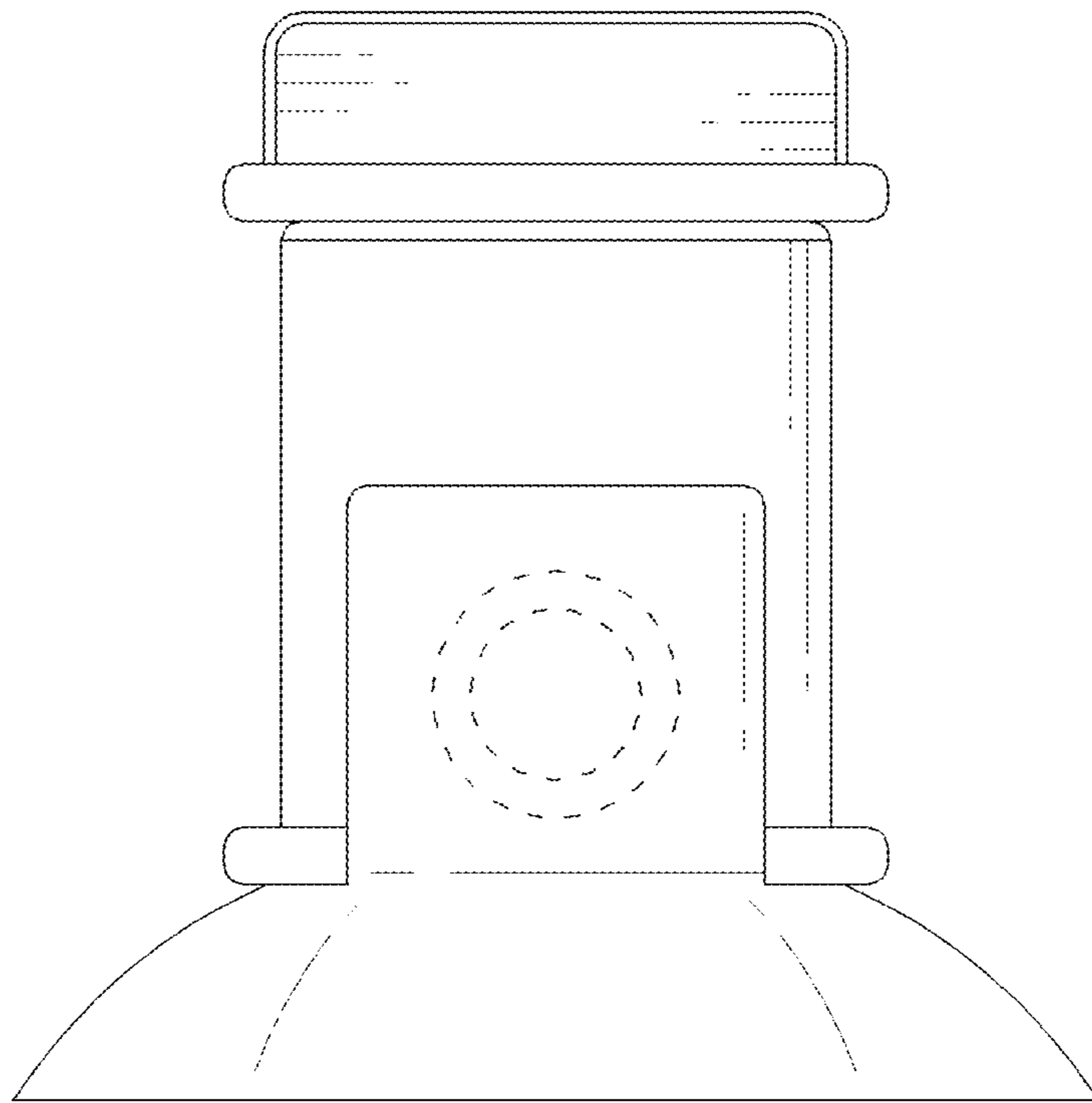


FIG. 2

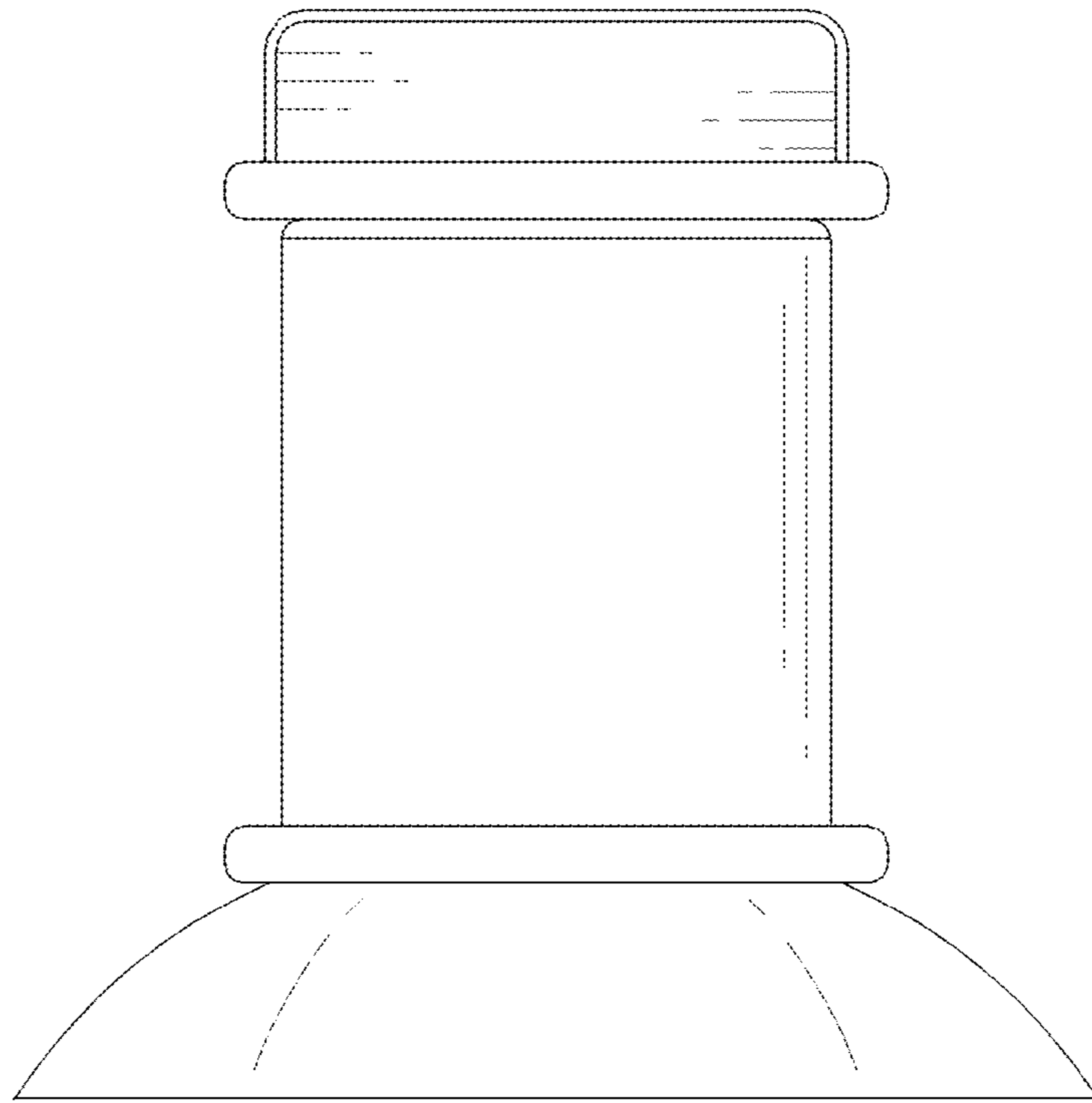


FIG. 3

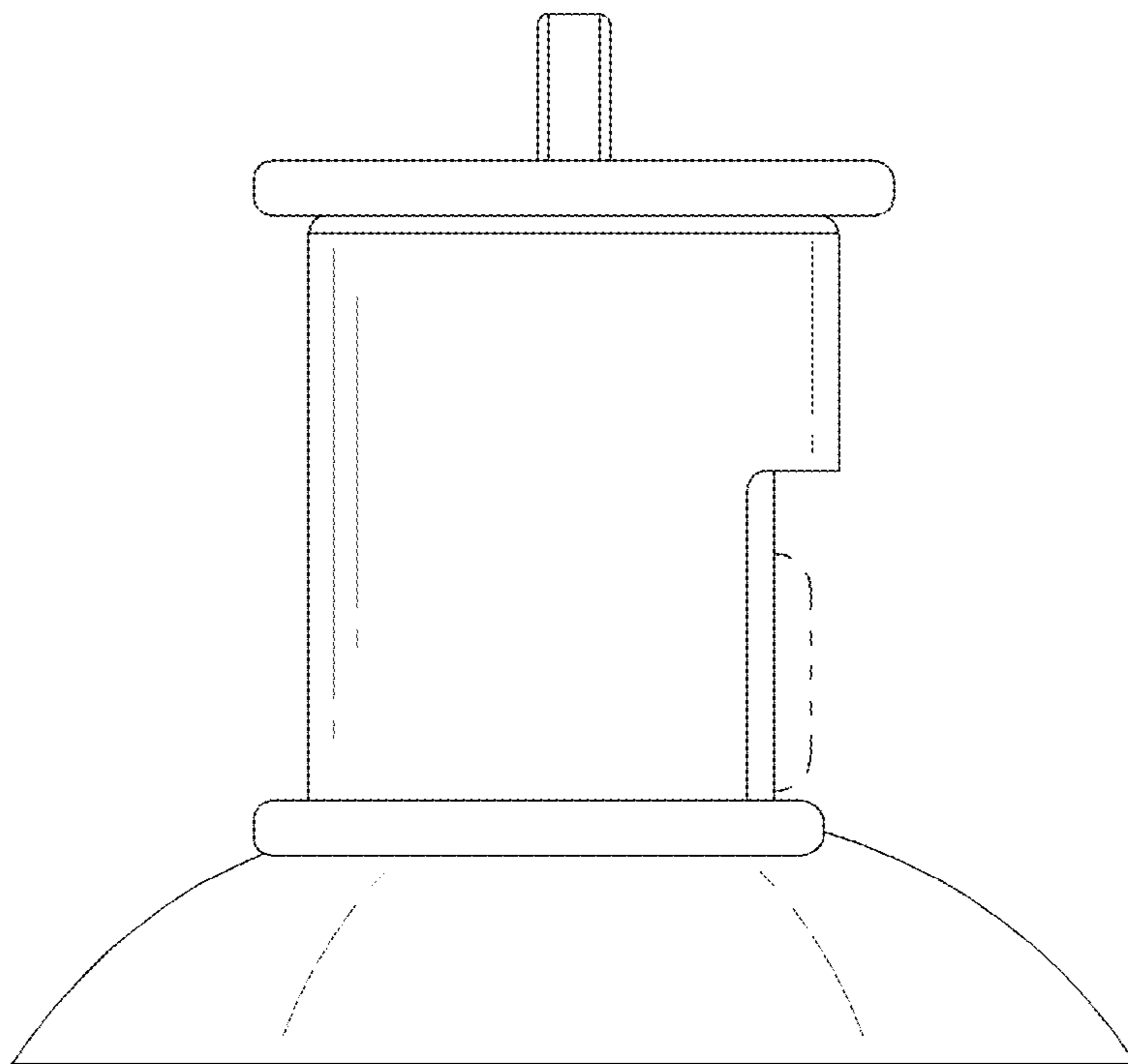


FIG. 4

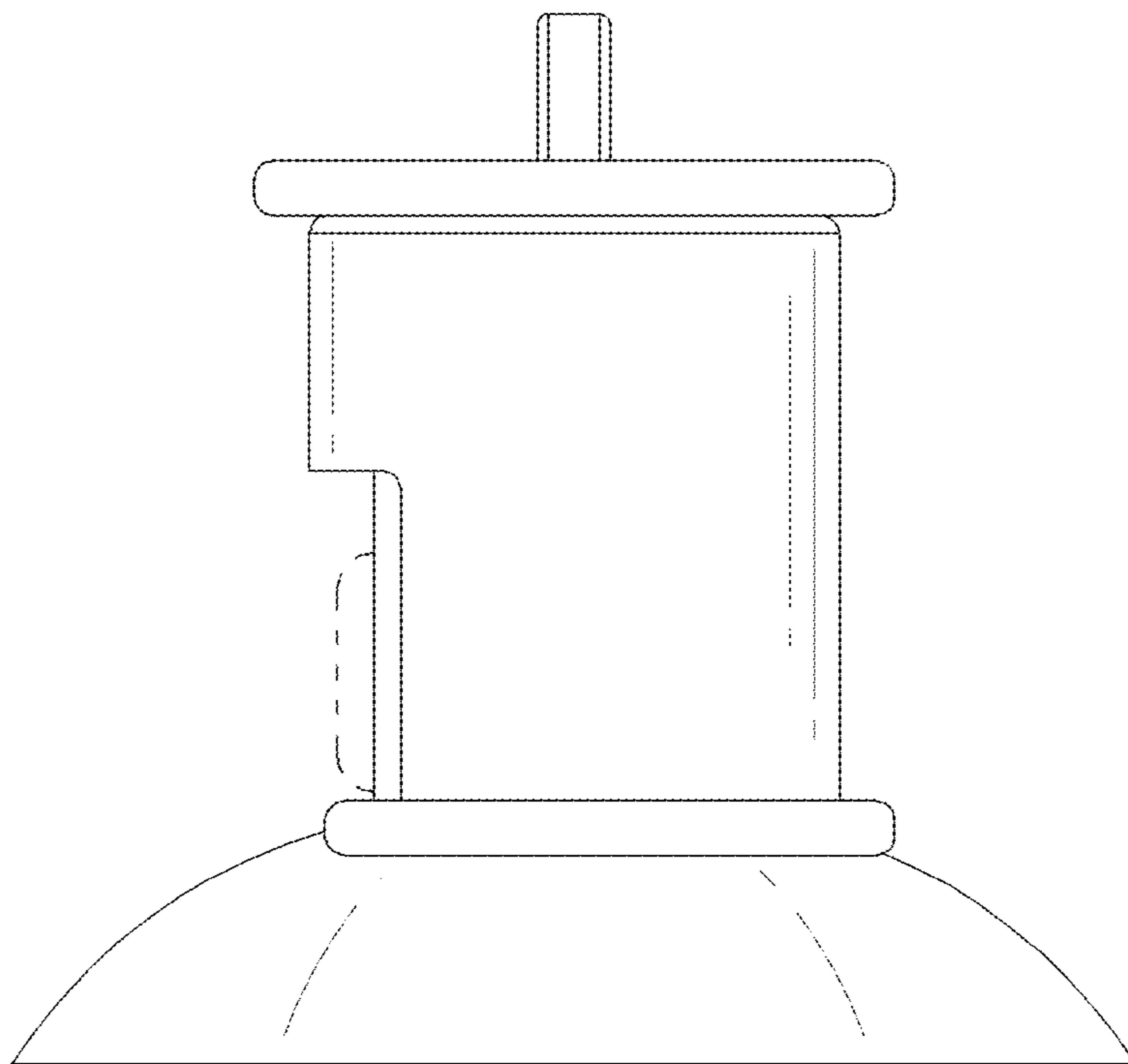


FIG. 5

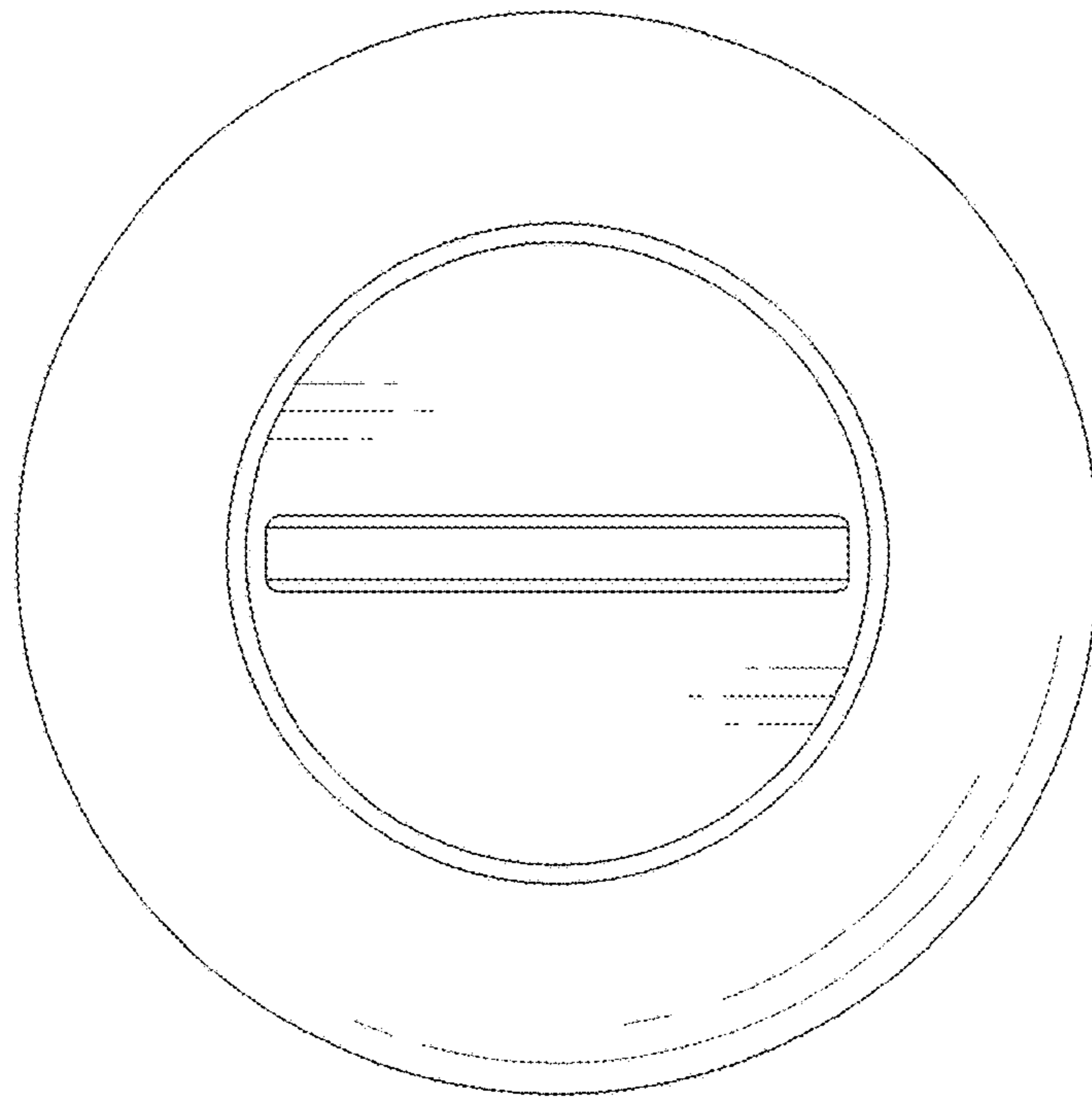


FIG. 6

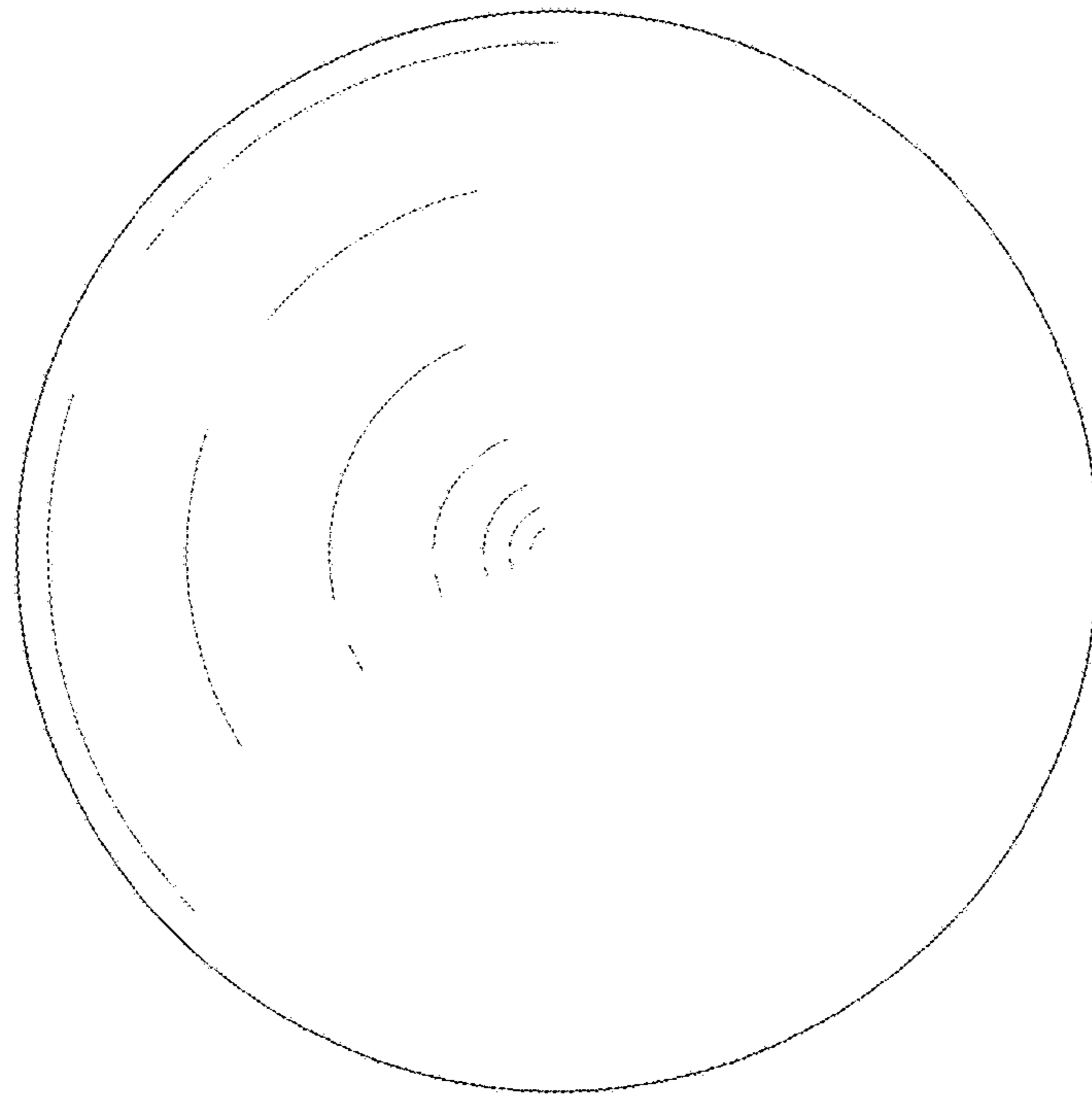


FIG. 7

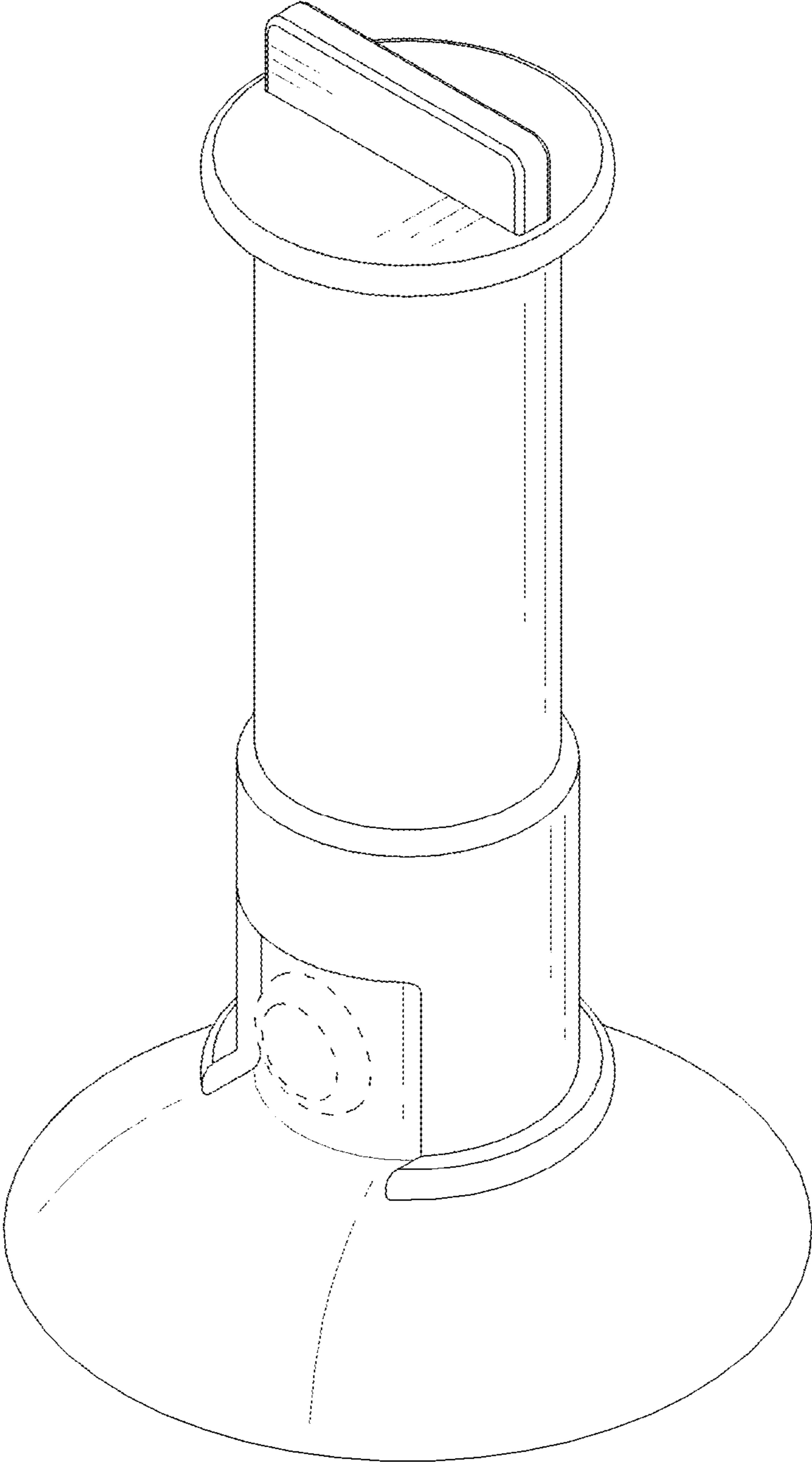


FIG. 8

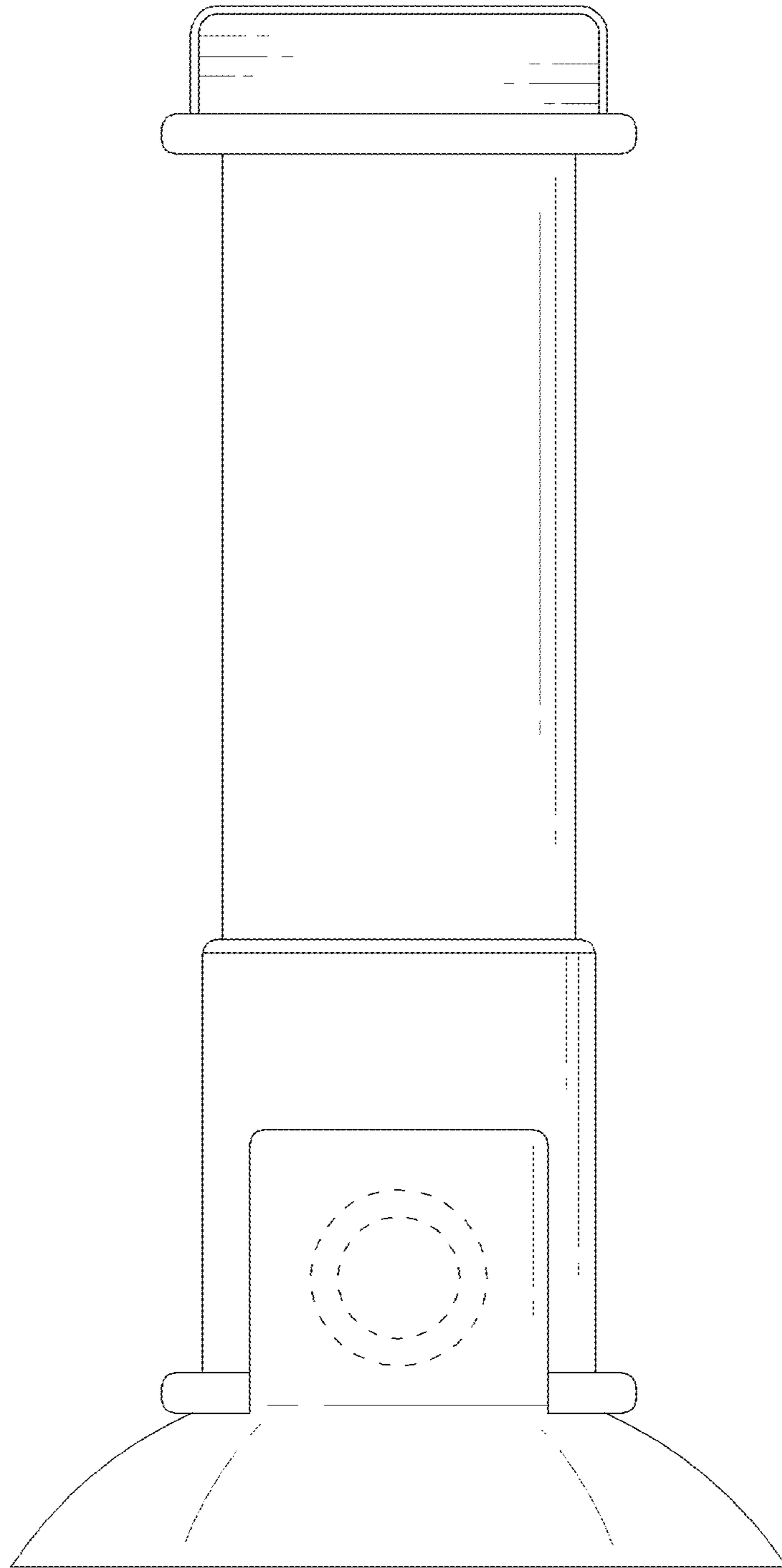


FIG. 9

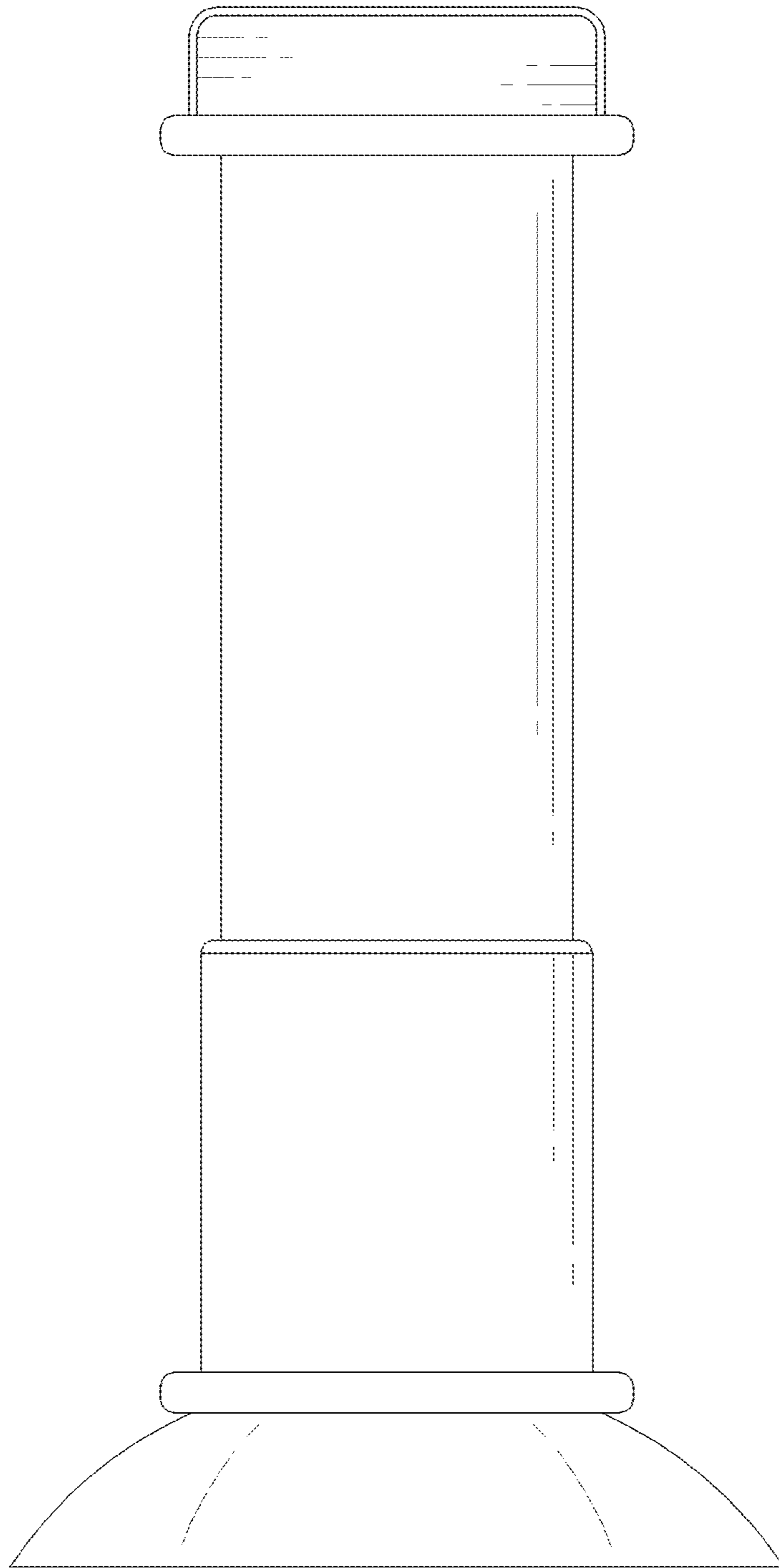


FIG. 10

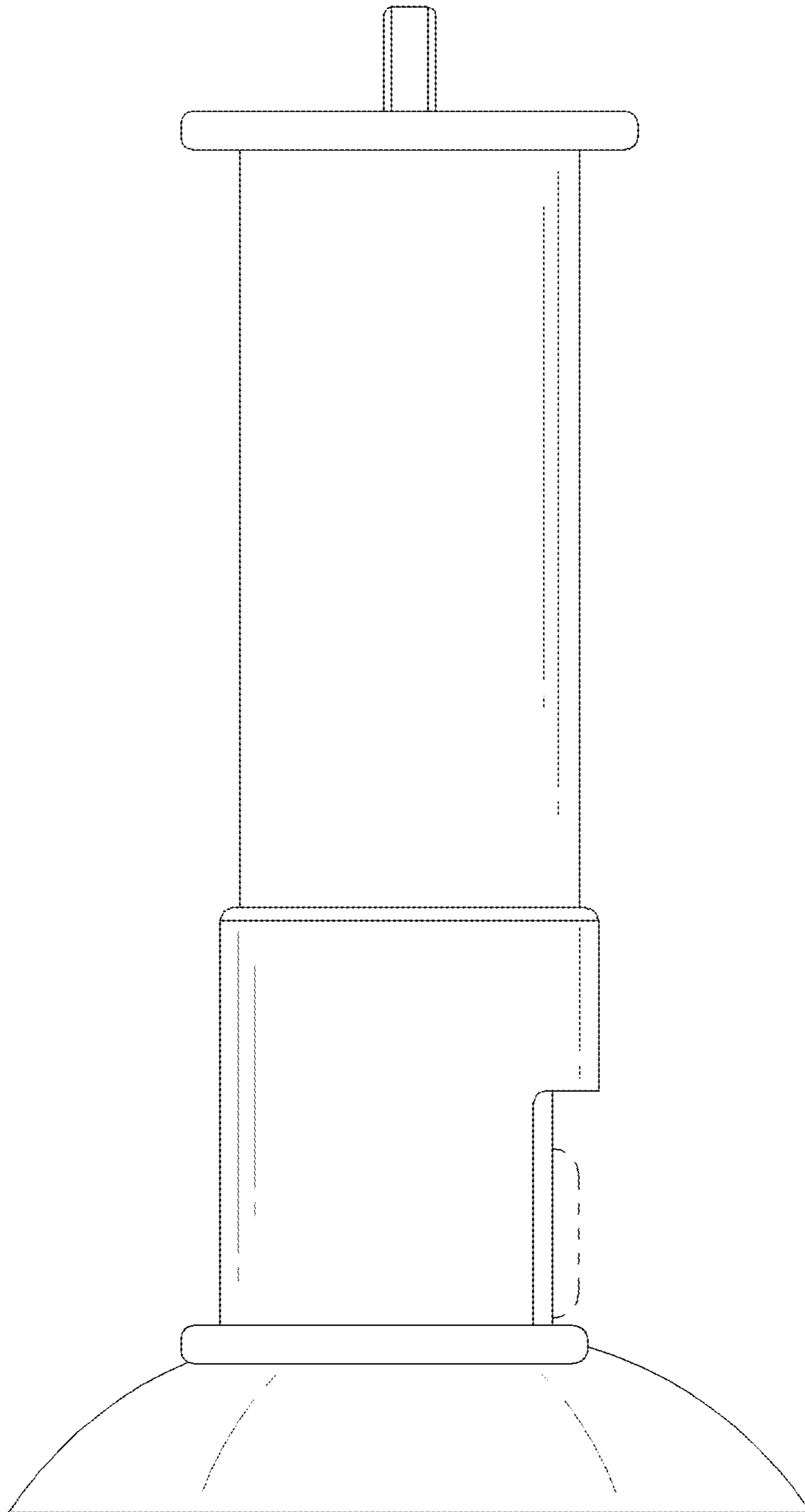


FIG. 11

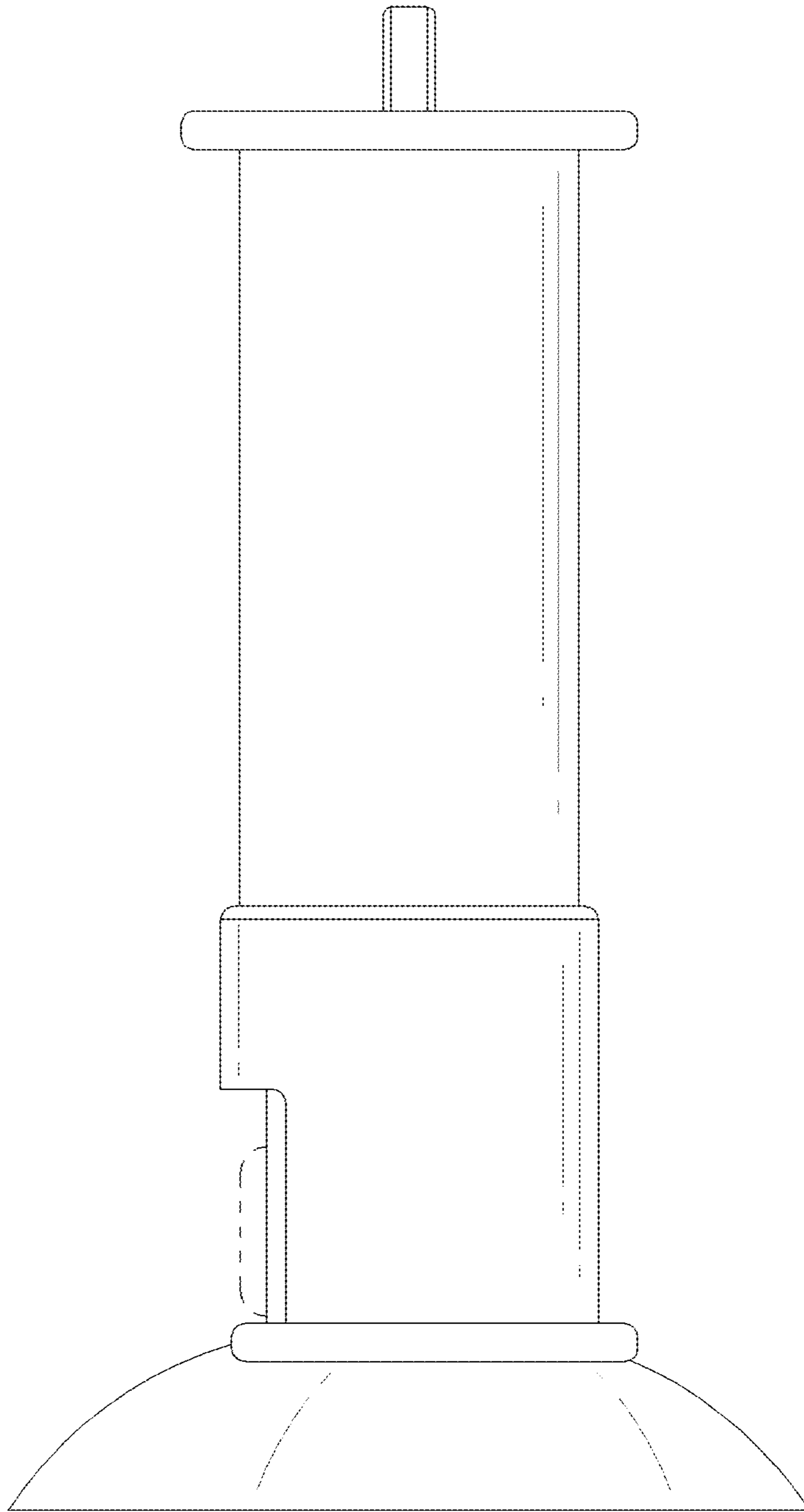


FIG. 12

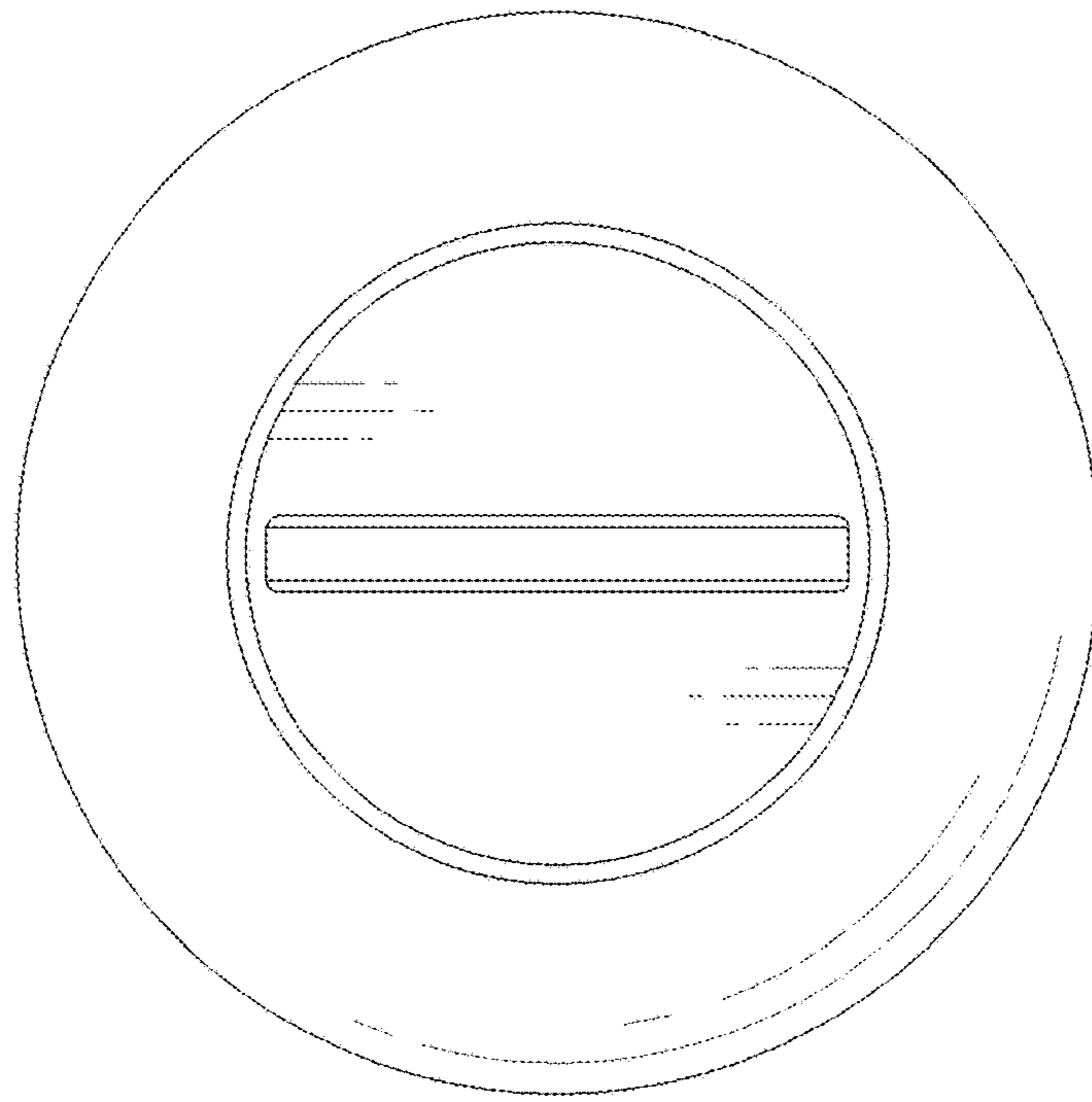


FIG. 13

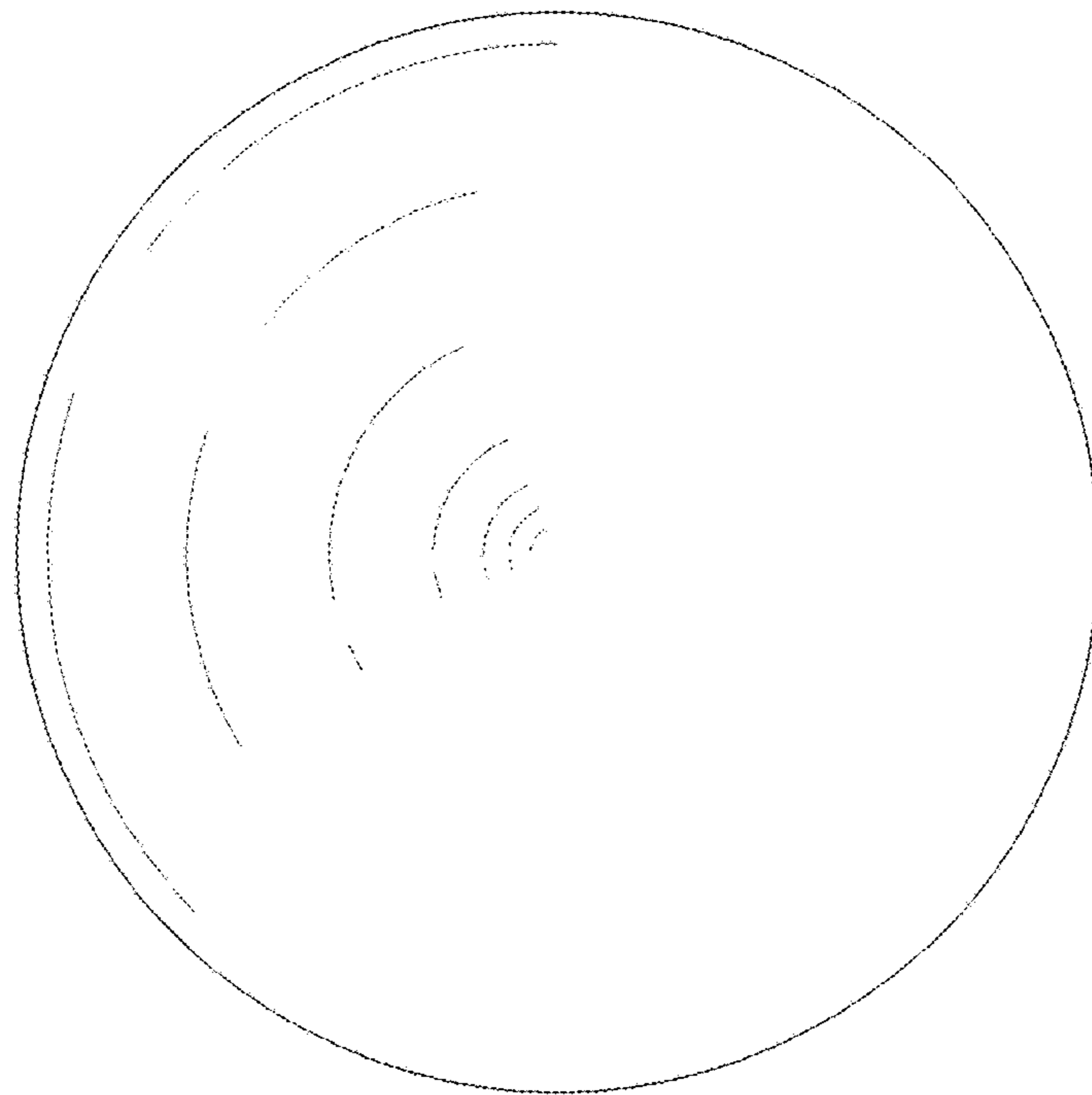


FIG. 14