



US00D904173S

(12) **United States Design Patent**
Jin

(10) **Patent No.:** **US D904,173 S**

(45) **Date of Patent:** **** Dec. 8, 2020**

- (54) **RACK**
- (71) Applicant: **SHENZHEN YIYASU TECHNOLOGY CO., LTD**, Shenzhen (CN)
- (72) Inventor: **Youquan Jin**, Shenzhen (CN)
- (73) Assignee: **SHENZHEN YIYASU TECHNOLOGY CO., LTD.**, Shenzhen (CN)
- (**) Term: **15 Years**
- (21) Appl. No.: **29/747,478**
- (22) Filed: **Aug. 24, 2020**

- D312,936 S * 12/1990 Lim D6/552
 - 5,120,012 A * 6/1992 Rosenau A63C 17/00
211/89.01
 - D342,637 S * 12/1993 Smith D6/552
 - 5,301,818 A * 4/1994 Dix A47F 5/0876
211/106.01
 - 5,305,897 A * 4/1994 Smith A63C 11/028
211/106.01
 - 5,316,155 A * 5/1994 Collins A47B 81/005
211/106.01
 - D354,872 S * 1/1995 Dix D6/552
 - D363,850 S * 11/1995 Towler D6/552
 - 5,582,044 A * 12/1996 Bolich B60R 9/08
224/315
 - D396,371 S * 7/1998 Oliver D6/552
- (Continued)

Related U.S. Application Data

- (63) Continuation-in-part of application No. 29/728,626, filed on Mar. 19, 2020, now Pat. No. Des. 897,823.
- (51) **LOC (12) Cl.** **08-05**
- (52) **U.S. Cl.**
USPC **D8/354**
- (58) **Field of Classification Search**
USPC D6/300, 672, 682, 682.5, 682.6, 512,
D6/552, 553; D8/354, 373, 499;
D11/132, 164, 184; D20/42; D21/771
CPC F16M 13/02; A63C 17/00; A63C 17/0006
See application file for complete search history.

References Cited

U.S. PATENT DOCUMENTS

- D205,184 S * 7/1966 Johnson et al. D6/407
- D229,805 S * 1/1974 James et al. D6/520
- D263,675 S * 4/1982 Vorves 292/340
- D286,119 S * 10/1986 Enquist D6/552
- 4,706,350 A * 11/1987 Mooney H03H 9/0528
29/25.35
- D304,984 S * 12/1989 French D6/552

OTHER PUBLICATIONS

Skateboard Floating Deck Display Wall Mount Holder Rack, ebay.com, <https://www.ebay.com.au/c/8030268632> (Year: 2020).*

Primary Examiner — Steven J Czyz

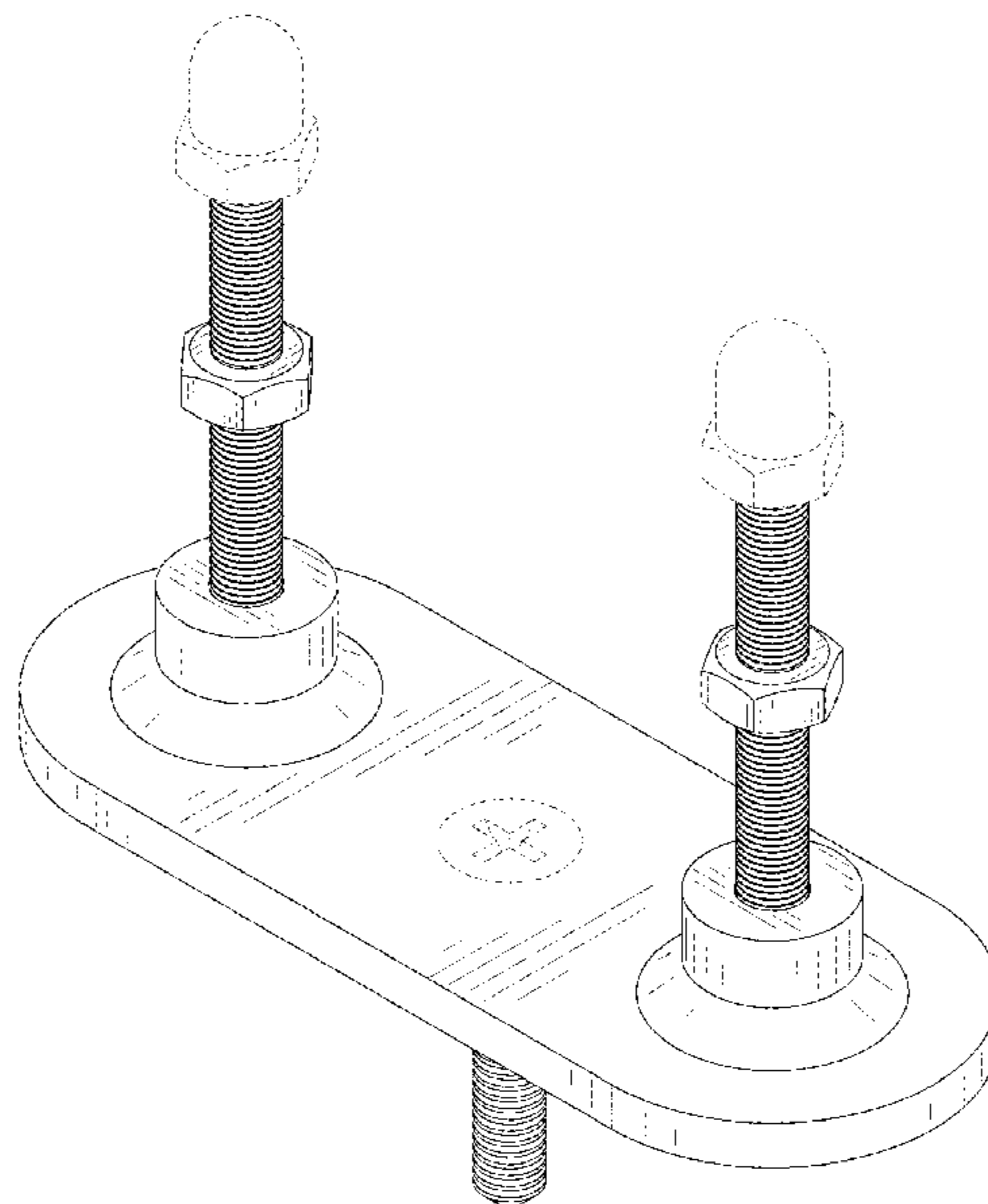
(57) **CLAIM**

The ornamental design for a rack, as shown and described.

DESCRIPTION

FIG. 1 is a perspective view of a rack showing my new design;
 FIG. 2 is another perspective view of the rack shown in FIG. 1;
 FIG. 3 is a front elevational view thereof;
 FIG. 4 is a rear elevational view thereof;
 FIG. 5 is a left side elevational view thereof;
 FIG. 6 is a right side elevational view thereof;
 FIG. 7 is a top plan view thereof; and,
 FIG. 8 is a bottom plan view thereof.
 The broken lines in the drawings depict portions of the rack that form no part of the claimed design.

1 Claim, 8 Drawing Sheets



(56)

References Cited

U.S. PATENT DOCUMENTS

5,813,550 A *	9/1998	Sheehan	A47F 5/0807	211/87.01	8,939,297 B2 *	1/2015	Berman	A63C 11/028	211/85.7
5,826,908 A *	10/1998	McBride	A63C 11/028	280/814	D725,939 S *	4/2015	Sheehan	D6/553	
D417,115 S *	11/1999	Creel	D6/567		D742,728 S *	11/2015	Ostler	D8/373	
D423,339 S *	4/2000	Snell	D6/567		9,291,304 B1 *	3/2016	Tu	F16M 13/02	
D425,745 S *	5/2000	Harris	D21/771		9,707,469 B2 *	7/2017	Roland	A63C 17/012	
6,196,397 B1 *	3/2001	Maher	A47B 81/00	211/70.5	D808,192 S *	1/2018	Adam	D6/552	
6,293,412 B1 *	9/2001	Draper	E05B 73/00	211/4	D817,152 S *	5/2018	Ng	D8/354	
D472,091 S *	3/2003	Bell	D6/552		D819,428 S *	6/2018	Ng	D8/354	
D490,687 S *	6/2004	Nosworthy	D8/343		D836,957 S *	1/2019	Vazquez	D6/682	
D499,594 S *	12/2004	Laitila	D6/552		D846,321 S *	4/2019	Vandervorst	D6/682	
6,942,094 B2 *	9/2005	Coulson	A63C 11/02	206/315.1	D847,609 S *	5/2019	Ng	D8/354	
7,284,671 B1 *	10/2007	Doscher	A63B 71/0036	211/59.1	D850,829 S *	6/2019	Merminod	D6/682.5	
D609,940 S *	2/2010	Samu	D6/682		10,337,213 B2 *	7/2019	Chesterton	E05B 73/0094	
D621,464 S *	8/2010	Durante	D21/771		D883,779 S *	5/2020	Koelling	A47B 47/025	D8/402
7,950,535 B1 *	5/2011	Schmid	A47F 7/0021	211/85.7	D888,858 S *	6/2020	Fugel	D21/771	
D650,460 S *	12/2011	Krol, II	D21/771		2002/0060194 A1 *	5/2002	Reiser	A63C 11/028	211/4
8,540,197 B1 *	9/2013	Krol, II	A63C 17/0006	248/206.5	2002/0144962 A1 *	10/2002	Detorre	A63C 11/028	211/85.7
D701,449 S *	3/2014	Xiao	D8/373		2004/0108286 A1 *	6/2004	Coulson	A63C 11/028	211/85.7
D712,238 S *	9/2014	Moses	D8/373		2008/0083684 A1 *	4/2008	Pfeiffer	A63C 11/028	211/85.7
						2012/0006766 A1 *	1/2012	MacKay, Jr.	E05B 73/0094	211/4
						2013/0048821 A1 *	2/2013	Leet	A63B 71/0045	248/316.4

* cited by examiner

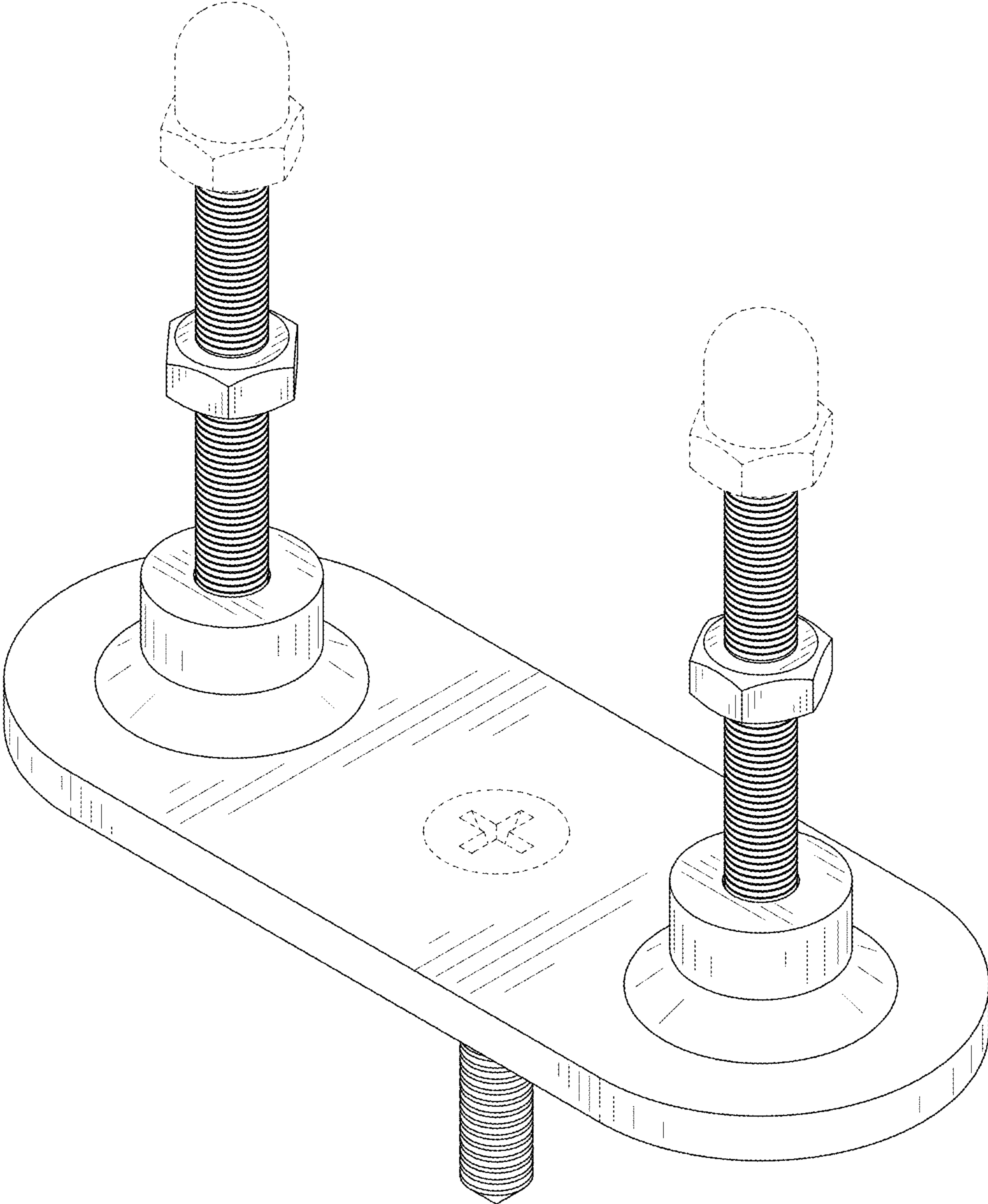


FIG. 1

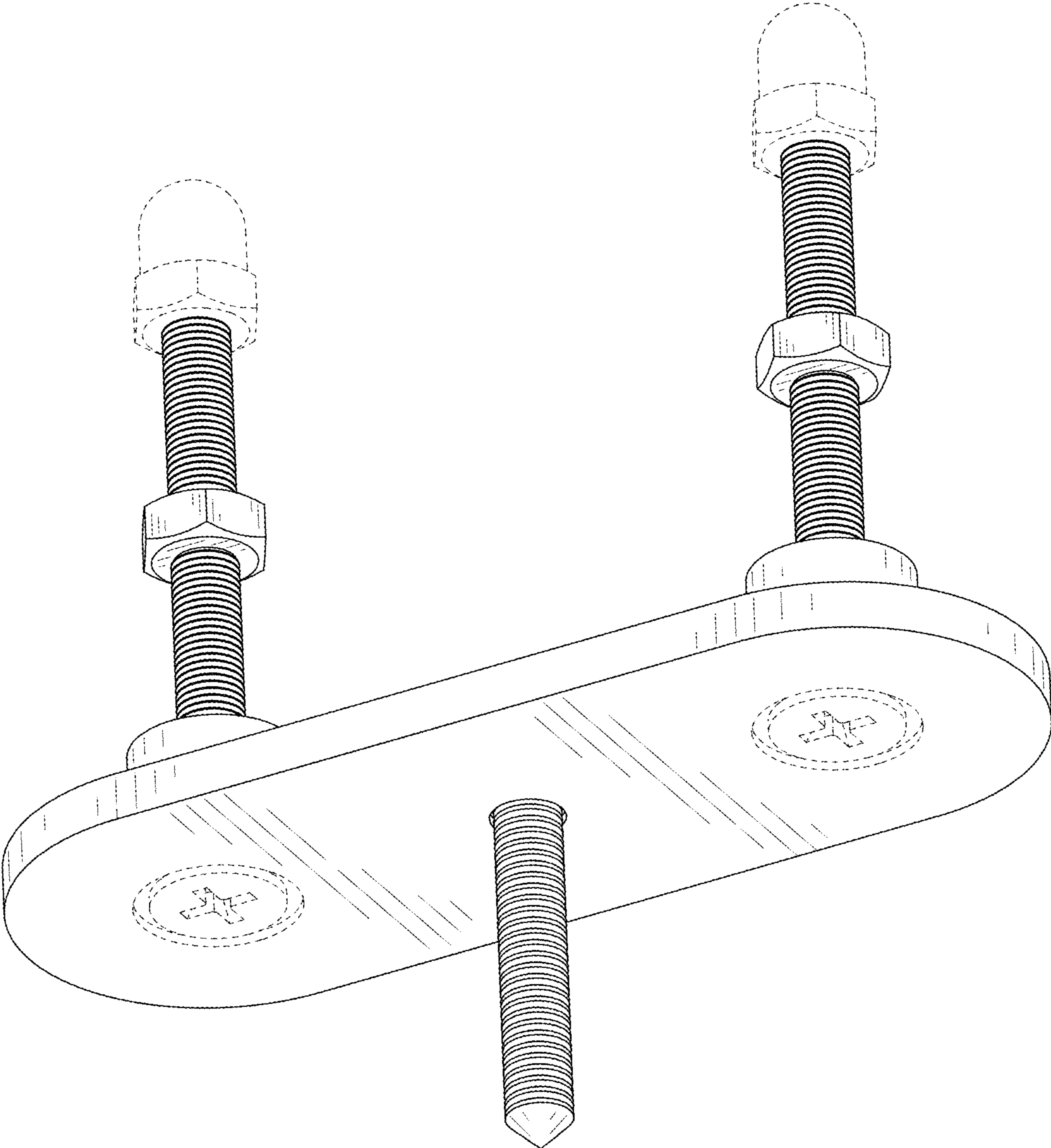


FIG. 2

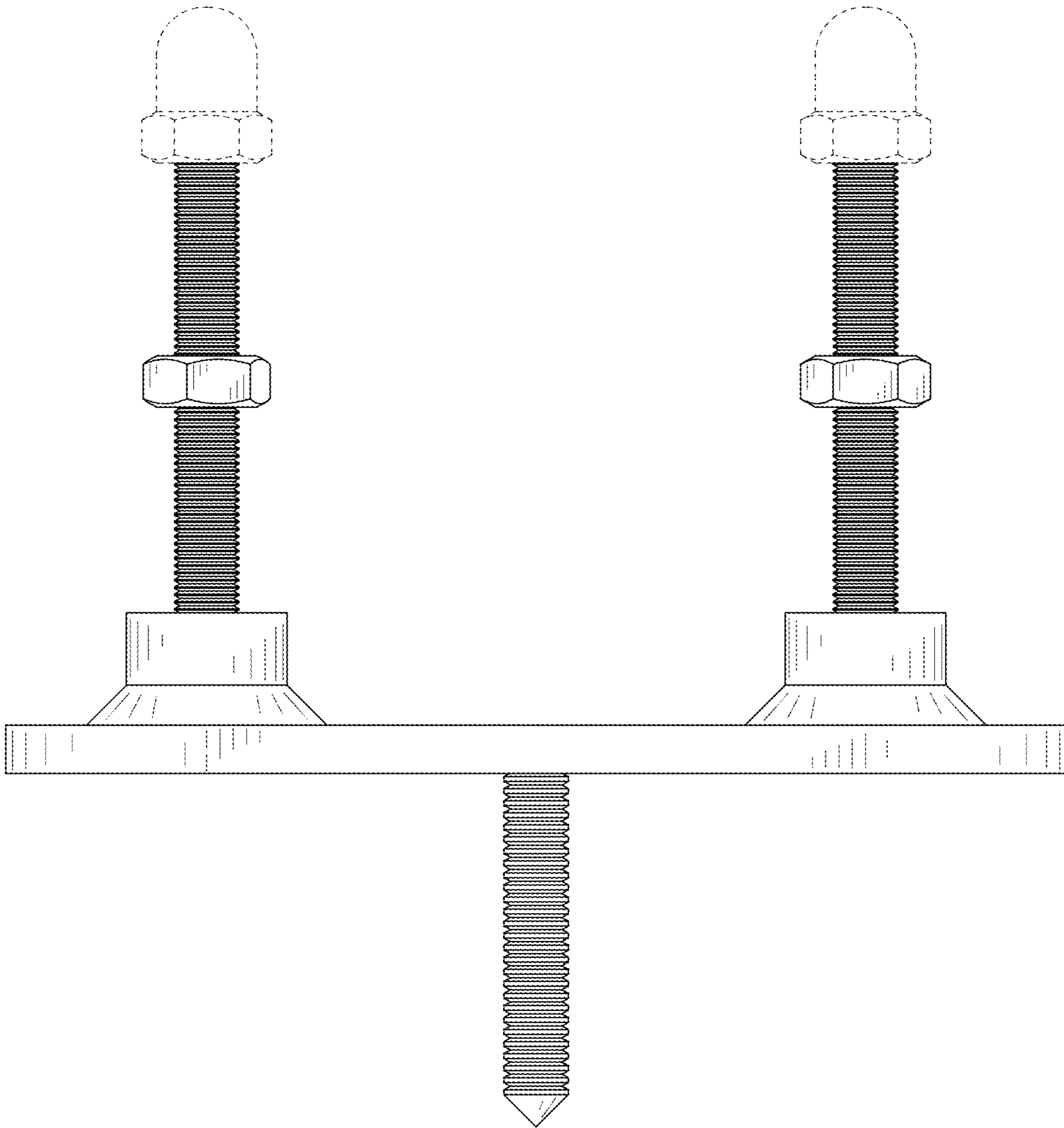


FIG. 3

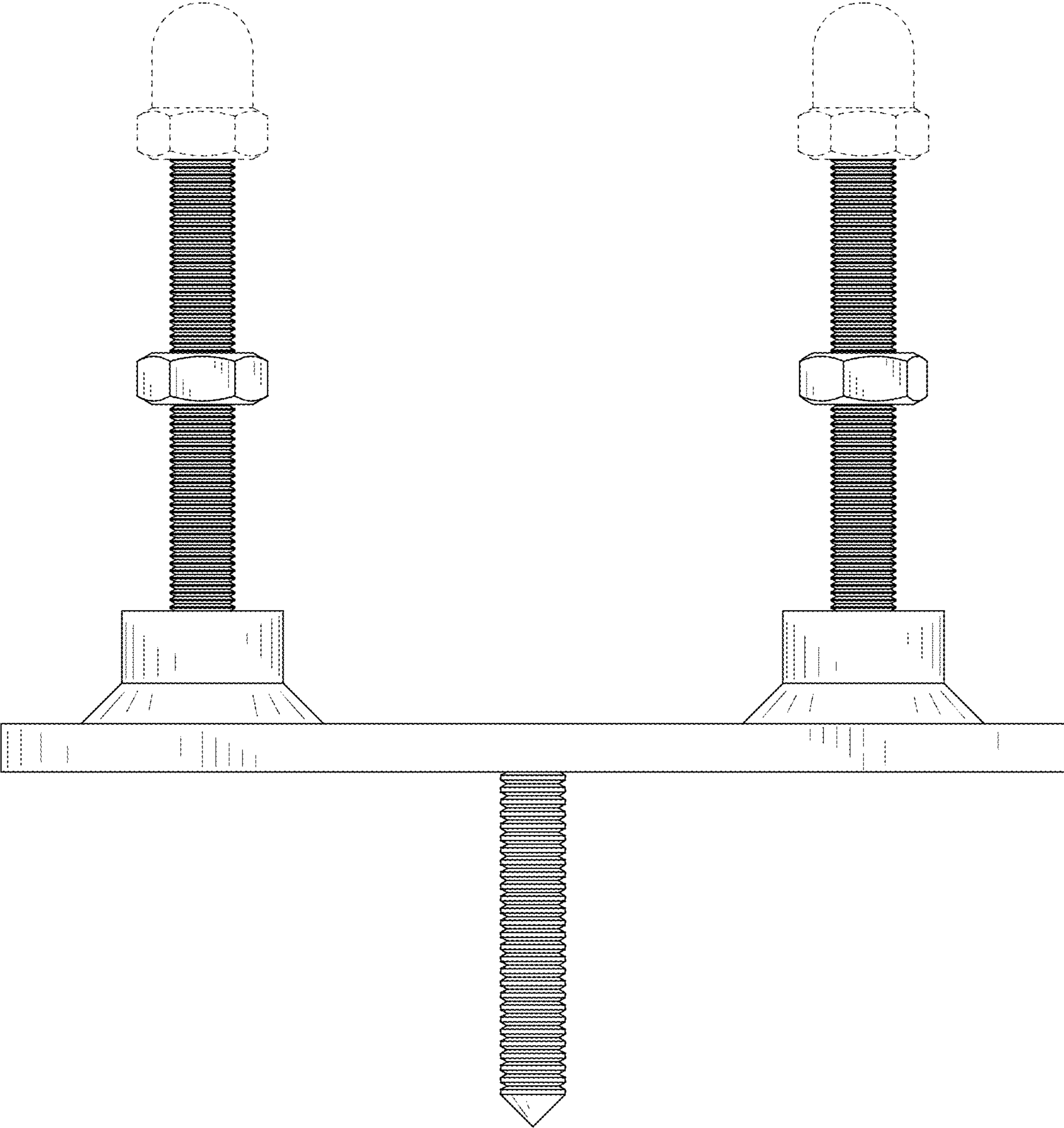


FIG. 4

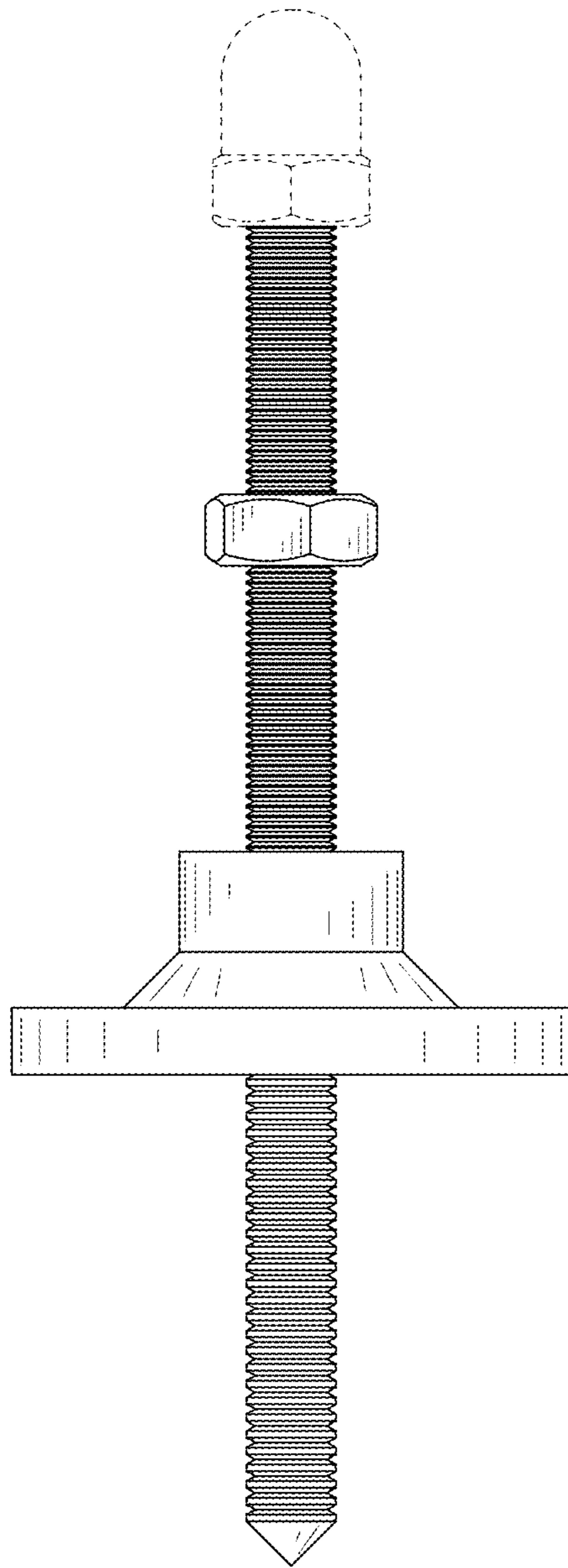


FIG. 5

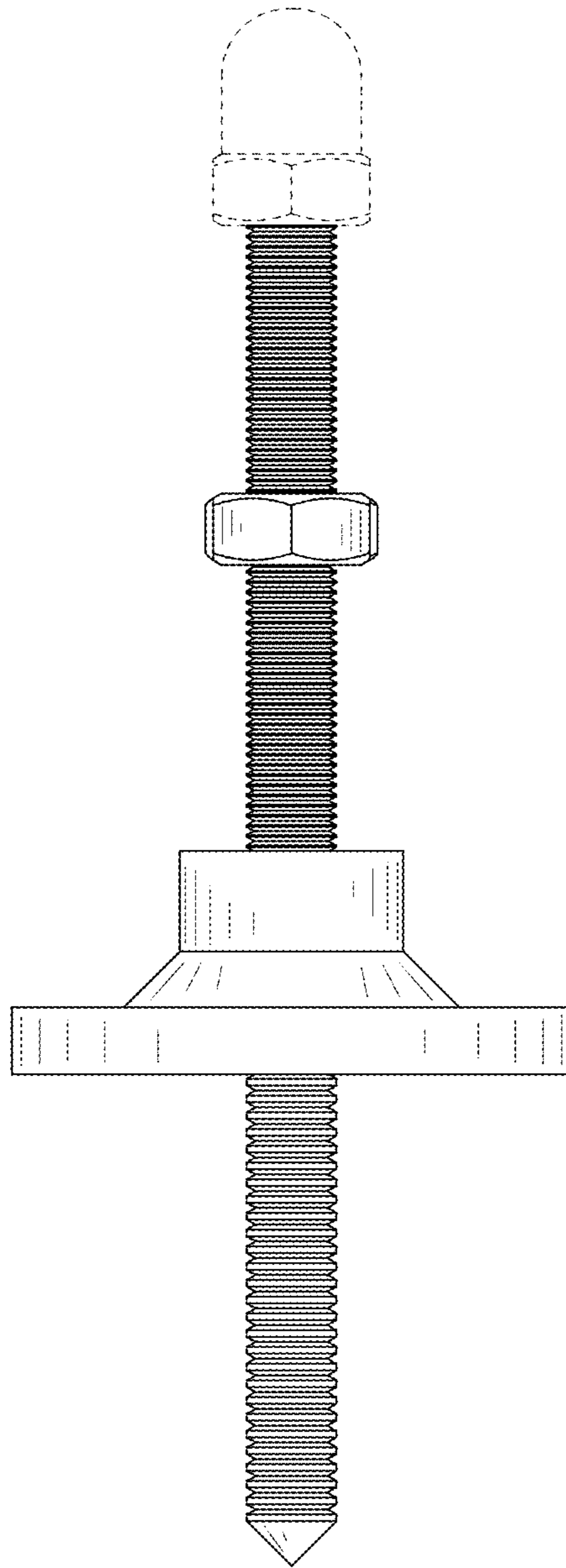


FIG. 6

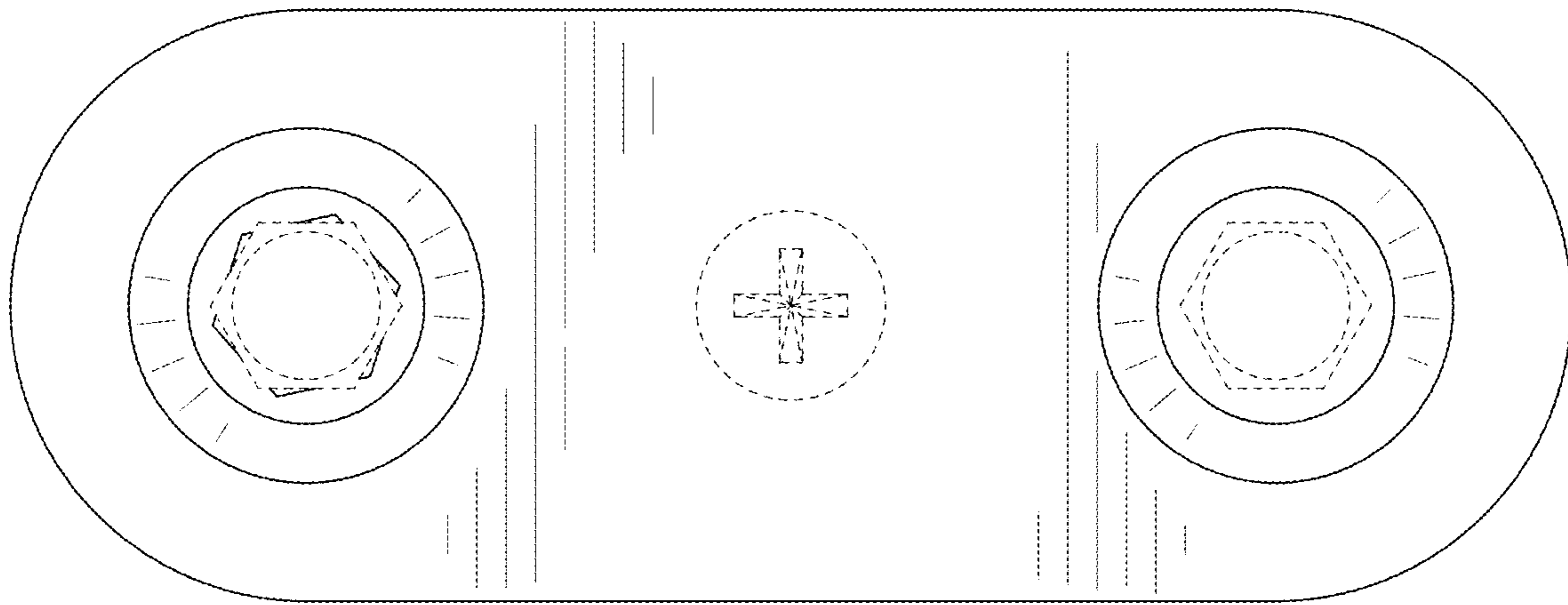


FIG. 7

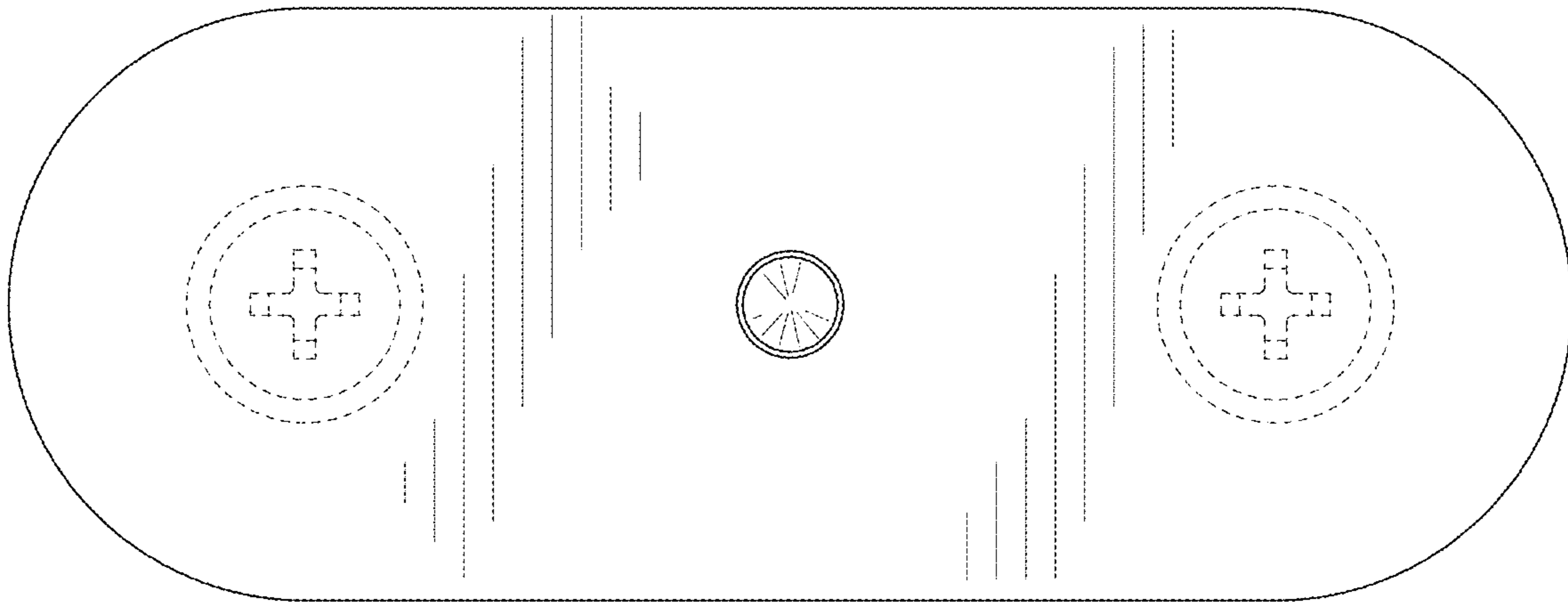


FIG. 8