



US00D904172S

(12) **United States Design Patent**
Jenkins

(10) **Patent No.:** **US D904,172 S**

(45) **Date of Patent:** **** Dec. 8, 2020**

(54) **MOUNTING BRACKET FOR A CASE**

(71) Applicant: **Cody Jenkins**, San Antonio, TX (US)

(72) Inventor: **Cody Jenkins**, San Antonio, TX (US)

(**) Term: **15 Years**

(21) Appl. No.: **29/696,055**

(22) Filed: **Jun. 25, 2019**

(51) **LOC (12) Cl.** **08-05**

(52) **U.S. Cl.**
USPC **D8/354**

(58) **Field of Classification Search**
USPC D8/354, 380, 381, 373, 363, 355;
D14/432, 434, 447, 357, 299, 496,
D14/203.1-203.8, 238.1, 238
CPC H05K 5/0204; H05K 7/14; F16M 13/02;
H04N 5/655; H04N 5/64; G06F 1/1601;
G06F 1/16; A45F 5/00; A45F 5/021;
A45F 2200/0516

See application file for complete search history.

(56) **References Cited**

U.S. PATENT DOCUMENTS

D705,229 S *	5/2014	Wengreen	D14/434
D761,236 S *	7/2016	Wengreen	D14/238.1
D767,973 S *	10/2016	DeDios-Shirley	D8/349
D770,171 S *	11/2016	Lai	D3/218
D803,030 S *	11/2017	Wengreen	F16M 11/041
				D8/354
D823,093 S *	7/2018	Kanter	D8/354
D825,576 S *	8/2018	Krupa	D14/447

10,101,770 B2 *	10/2018	Schatz	G06F 1/1632
D849,507 S *	5/2019	DeDios-Shirley	D8/349
D863,040 S *	10/2019	DeDios-Shirley	D8/354
D865,487 S *	11/2019	DeDios-Shirley	D8/354
2009/0052128 A1 *	2/2009	Yeh	F16M 11/10
				361/679.27
2012/0168516 A1 *	7/2012	Bolger	G06K 19/07758
				235/492
2012/0193496 A1 *	8/2012	Li	F16M 13/00
				248/316.1
2015/0201723 A1 *	7/2015	Rayner	A45C 13/008
				224/191

* cited by examiner

Primary Examiner — Keli L Hill

Assistant Examiner — Harold E Blackwell, II

(74) *Attorney, Agent, or Firm* — Barry Choobin

(57) **CLAIM**

The ornamental design for a mounting bracket for a case, as shown and described.

DESCRIPTION

FIG. 1 is an isometric view of a mounting bracket for a case, according to the new design.

FIG. 2 is a top view of the design of FIG. 1.

FIG. 3 is a bottom view of the design of FIG. 1.

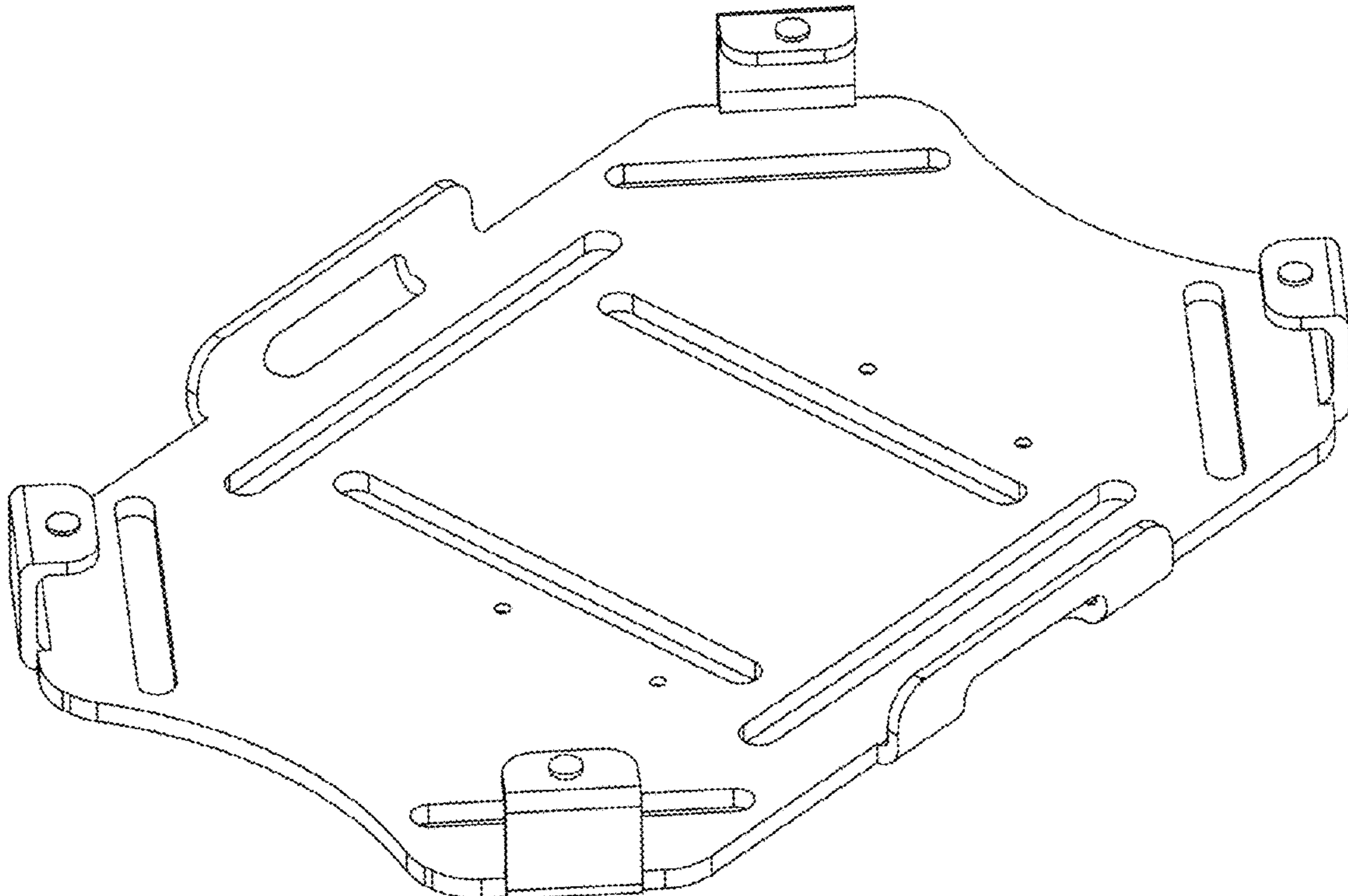
FIG. 4 is a front view of the design of FIG. 1.

FIG. 5 is a rear view of the design of FIG. 1.

FIG. 6 is a right side view of the design of FIG. 1; and,

FIG. 7 is a left side view of the design of FIG. 1.

1 Claim, 7 Drawing Sheets



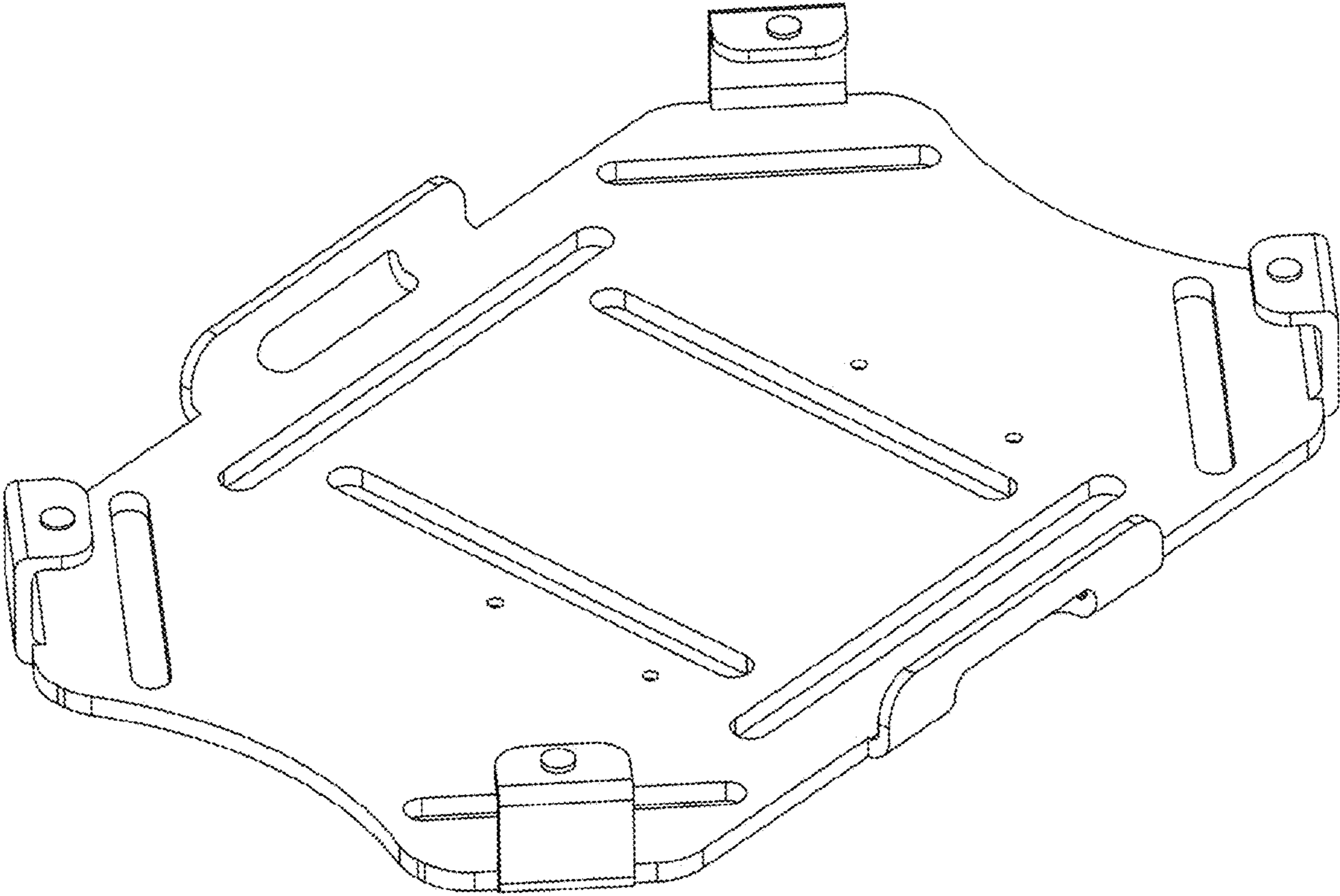


FIG.1

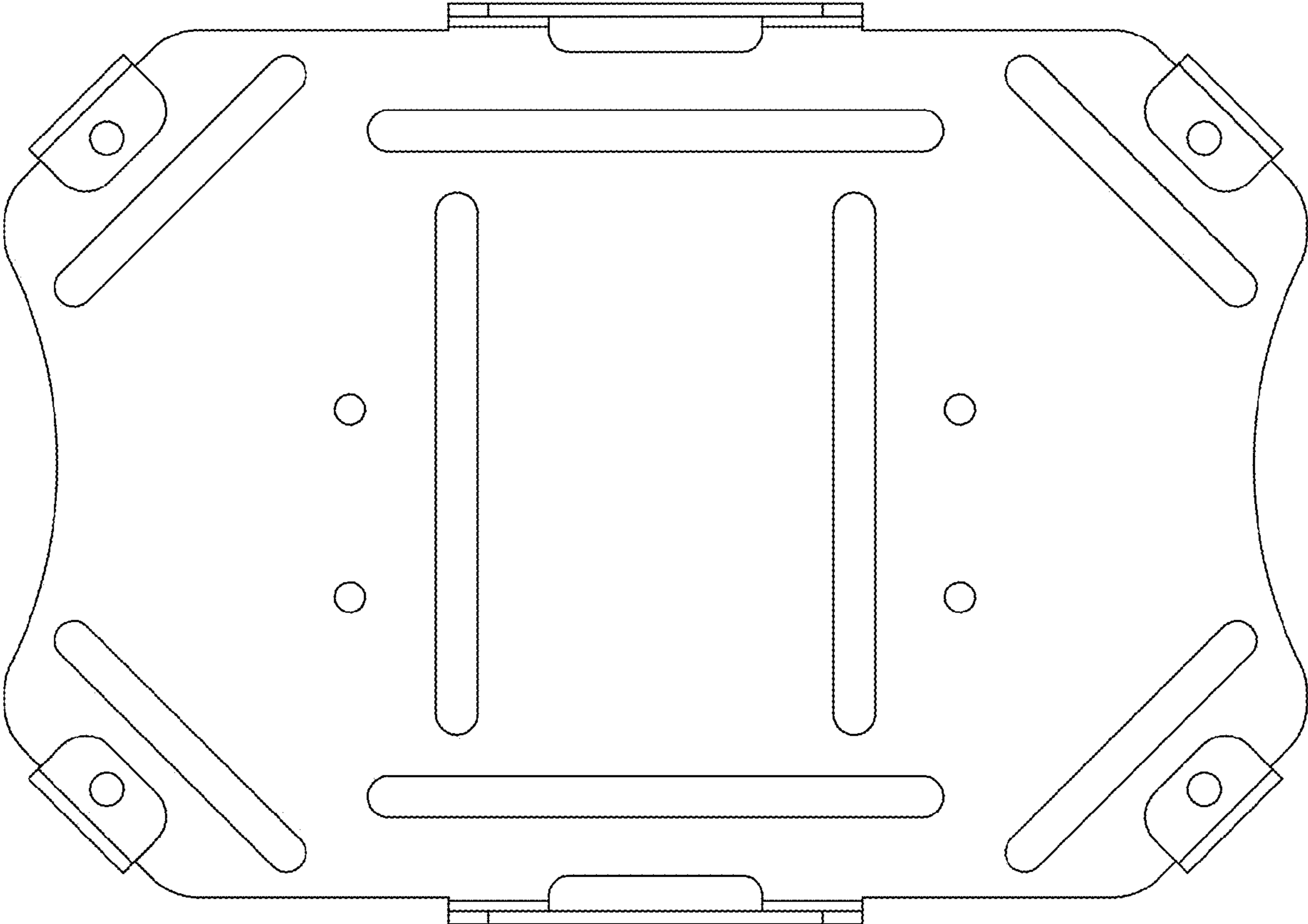


FIG.2

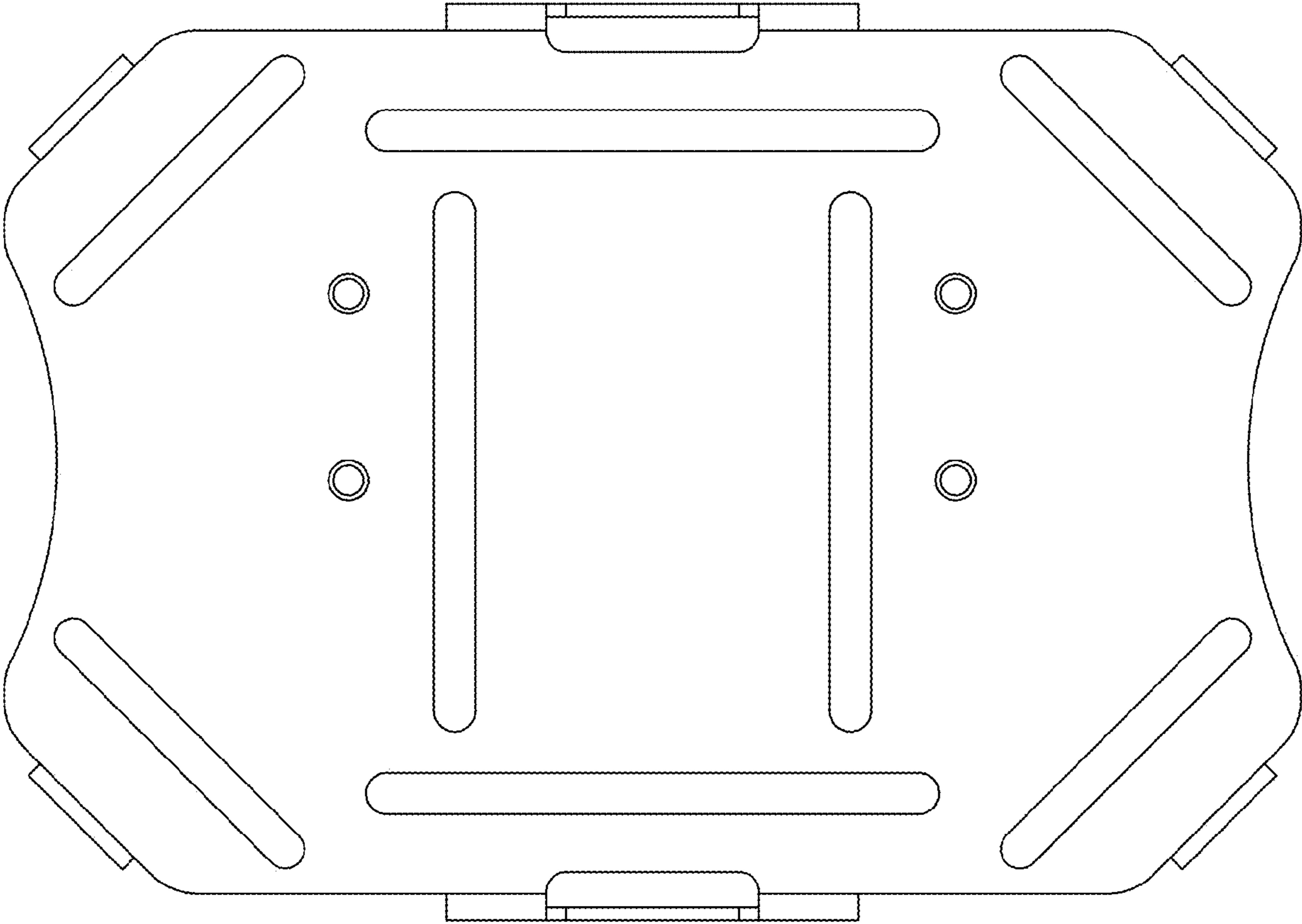


FIG.3

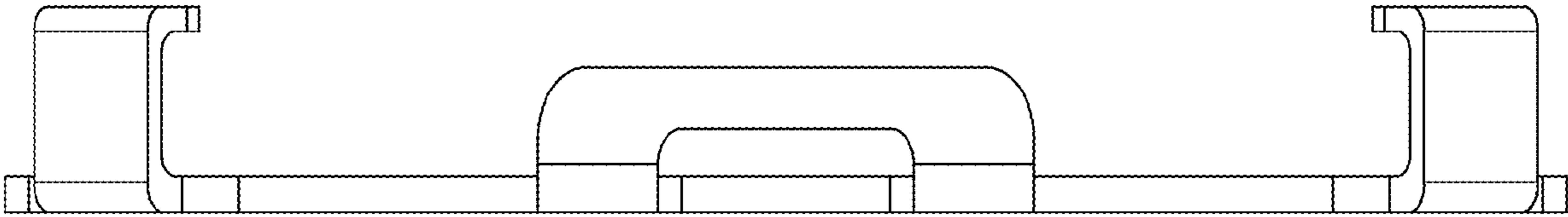


FIG.4

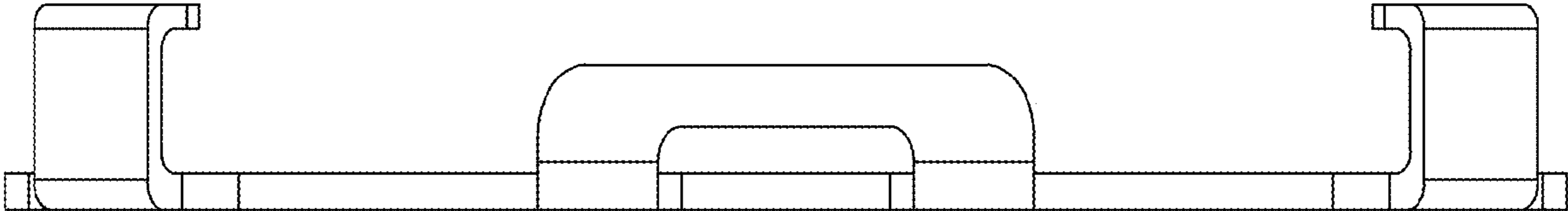


FIG.5

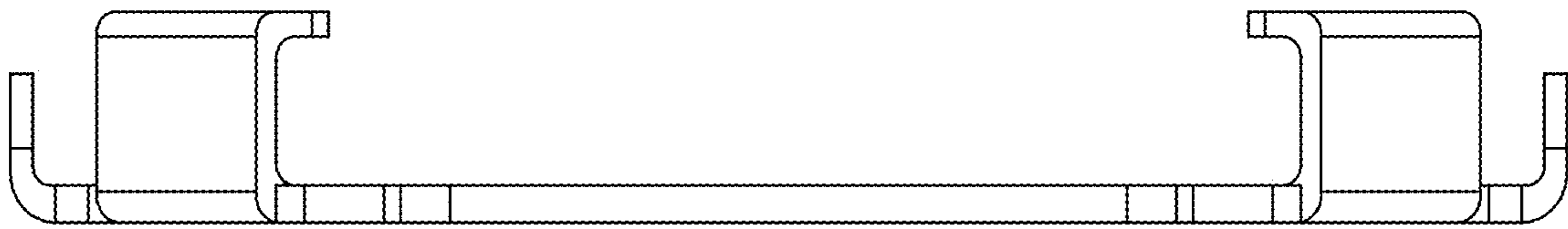


FIG.6



FIG.7