



US00D904171S

(12) **United States Design Patent** (10) **Patent No.:** **US D904,171 S**  
**Ochi** (45) **Date of Patent:** **\*\* Dec. 8, 2020**

(54) **CONSTRUCTION FURRING STRIP SUPPORT EXTENSION**  
(71) Applicant: **Nichiha Corporation**, Nagoya (JP)  
(72) Inventor: **Yoshio Ochi**, Nagoya (JP)  
(73) Assignee: **NICHIHA CORPORATION**, Nagoya (JP)

7,503,150 B1 3/2009 DiGirolamo et al.  
D599,193 S \* 9/2009 Meyer ..... D8/354  
D618,992 S \* 7/2010 Rix ..... D8/394  
D637,898 S \* 5/2011 Tedesco ..... D8/394  
D644,339 S \* 8/2011 Sutton ..... D25/121  
D644,503 S \* 9/2011 Crane ..... D8/382  
D652,951 S \* 1/2012 Crane ..... D25/61  
D653,773 S \* 2/2012 Sutton ..... D25/121  
D667,289 S \* 9/2012 Preda ..... D8/354  
D667,718 S \* 9/2012 Preda ..... D8/354

(Continued)

(\*\*) Term: **15 Years**

**FOREIGN PATENT DOCUMENTS**

(21) Appl. No.: **29/694,219**  
(22) Filed: **Jun. 7, 2019**

JP 1020617 S 9/1998  
JP 1213966 S 8/2004

(Continued)

(30) **Foreign Application Priority Data**

*Primary Examiner* — Llorelys Martinez  
(74) *Attorney, Agent, or Firm* — Birch, Stewart, Kolasch & Birch, LLP

Dec. 7, 2018 (JP) ..... 2018-026802

(51) **LOC (12) Cl.** ..... **08-05**  
(52) **U.S. Cl.**  
USPC ..... **D8/354**

(57) **CLAIM**

The ornamental design for a construction furring strip support extension, as shown and described.

(58) **Field of Classification Search**  
USPC ..... D8/349, 354, 381, 382, 403; D25/199  
CPC ..... E04B 1/38; E04B 1/40; E04B 1/58; E04B 1/64; E04B 2001/405; E04B 2001/5862; E04F 13/00; E04F 13/076; E04F 13/08; E04F 13/0803; E04F 13/0805; E04F 13/081; E04F 13/0825; E04F 13/0826; E04F 13/0846; E04F 13/34  
See application file for complete search history.

**DESCRIPTION**

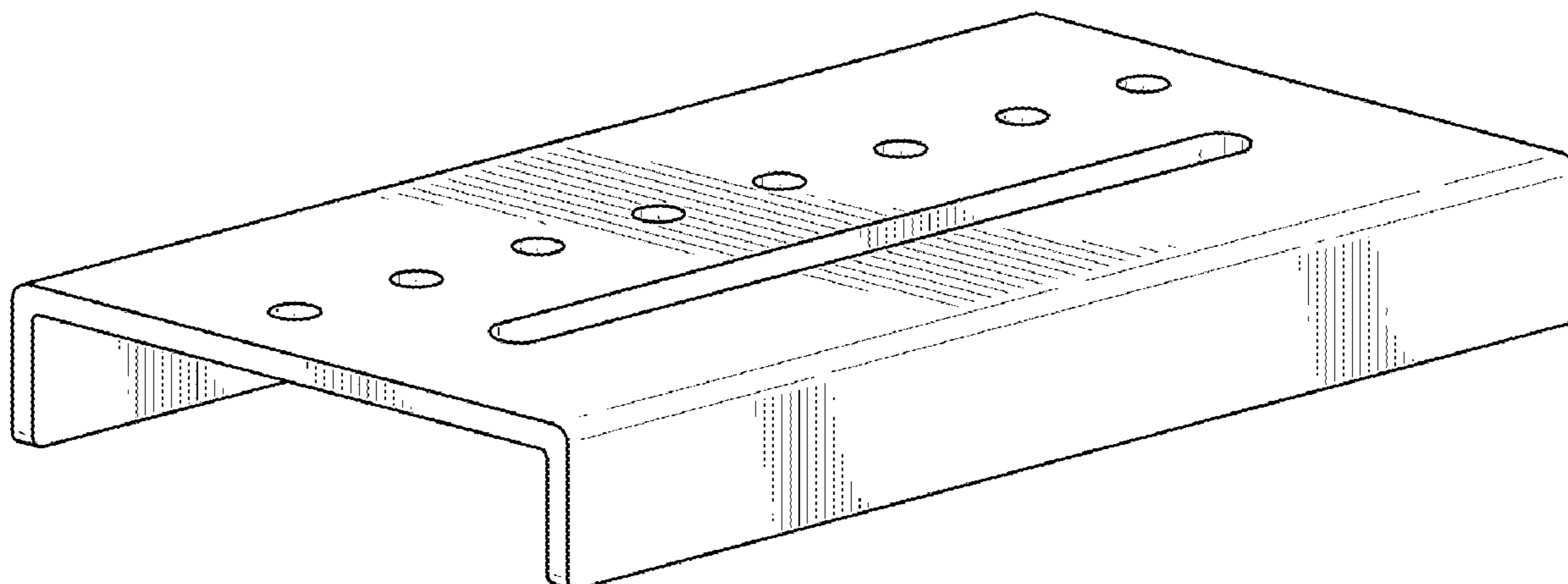
FIG. 1 is a front view of a construction furring strip support extension showing my new design;  
FIG. 2 is a back view thereof;  
FIG. 3 is a top plan view thereof;  
FIG. 4 is a bottom plan view thereof;  
FIG. 5 is a right side view thereof;  
FIG. 6 is a left side view thereof;  
FIG. 7 is a perspective view thereof; and,  
FIG. 8 is another perspective view of the construction furring strip support extension of FIG. 1, shown in a configuration of use.  
The broken lines in FIG. 8 represent environmental subject matter only and form no part of the claimed design.

(56) **References Cited**

**U.S. PATENT DOCUMENTS**

D306,964 S \* 4/1990 Zupancic ..... D8/354  
D448,495 S \* 9/2001 Lamberts ..... D25/121  
D487,867 S \* 3/2004 Balaban ..... D8/354  
7,104,024 B1 9/2006 DiGirolamo et al.  
D552,251 S \* 10/2007 McGinness ..... D25/38.1  
D589,174 S \* 3/2009 Drew, II ..... D25/199

**1 Claim, 8 Drawing Sheets**



(56)

**References Cited**

U.S. PATENT DOCUMENTS

D807,728 S \* 1/2018 Johnson ..... D8/354  
D814,905 S \* 4/2018 Ralph ..... D8/349  
D817,149 S \* 5/2018 Ralph ..... D8/349  
2018/0266101 A1\* 9/2018 Haba ..... E04B 1/40  
2020/0071934 A1\* 3/2020 Ochi ..... E04F 13/081

FOREIGN PATENT DOCUMENTS

JP 1478151 S 9/2013  
JP 1551096 S 6/2016  
JP WO 2018/235760 A1 12/2018  
WO WO 96/31667 A1 10/1996

\* cited by examiner

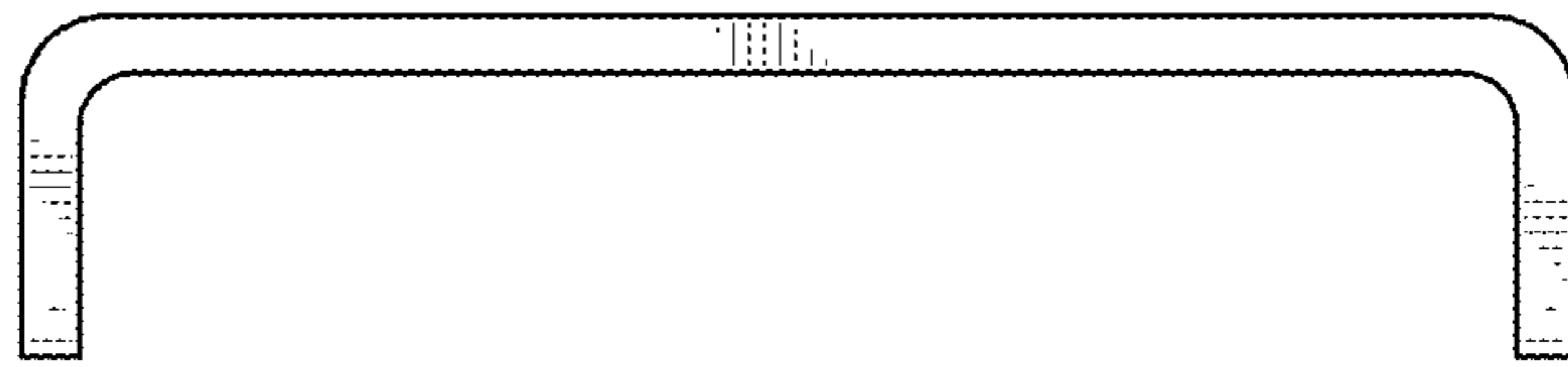


FIG.1

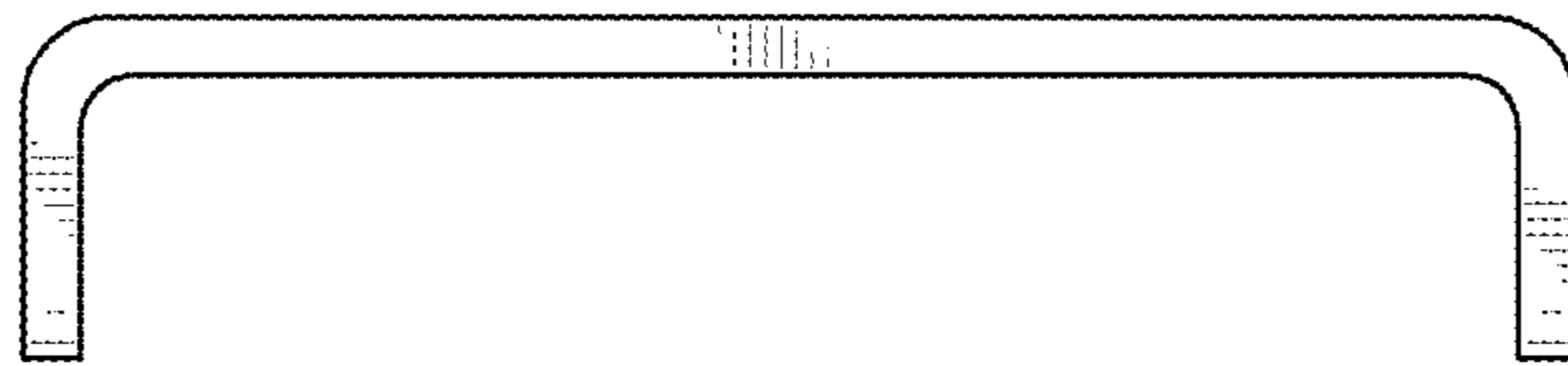


FIG.2

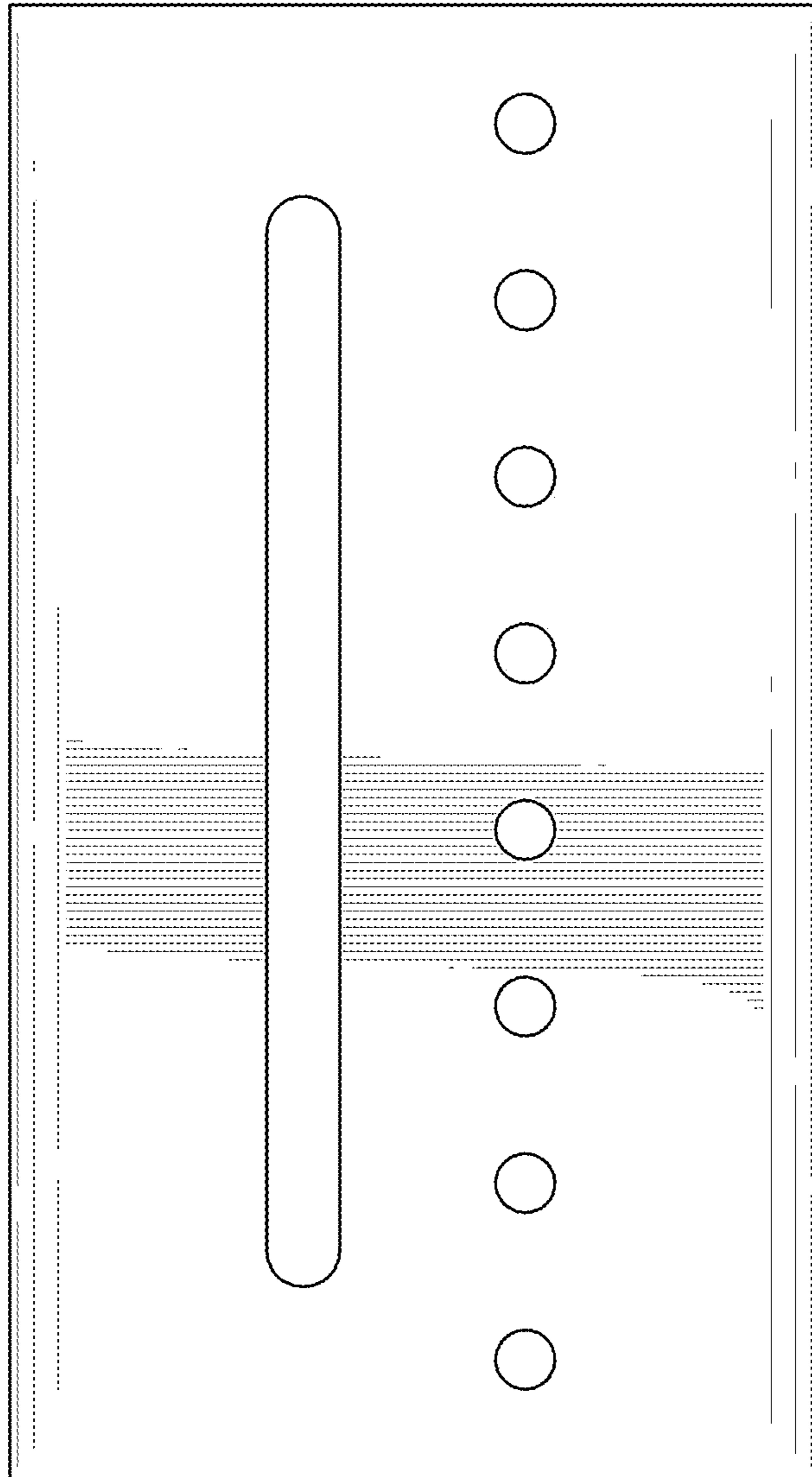


FIG.3

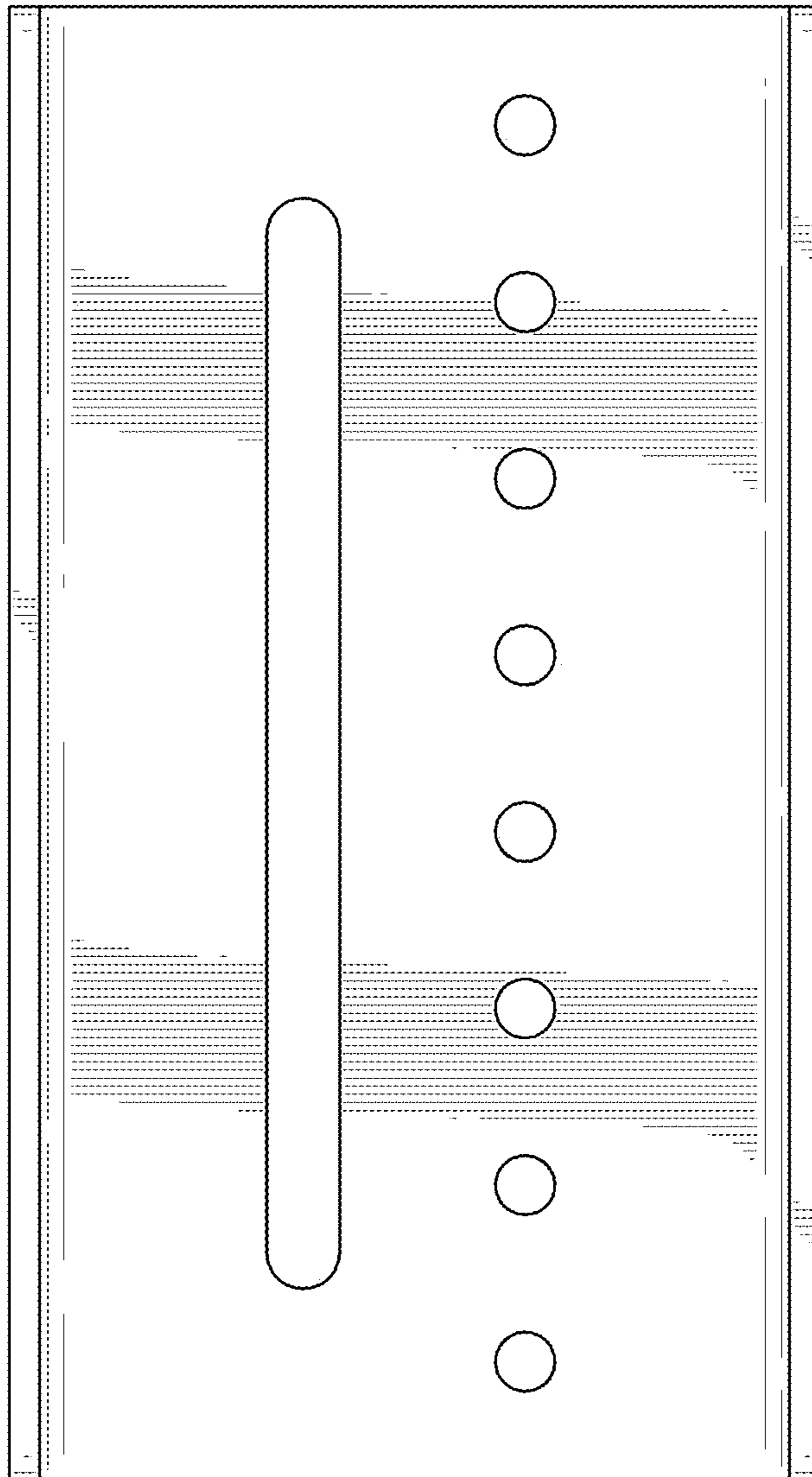


FIG.4

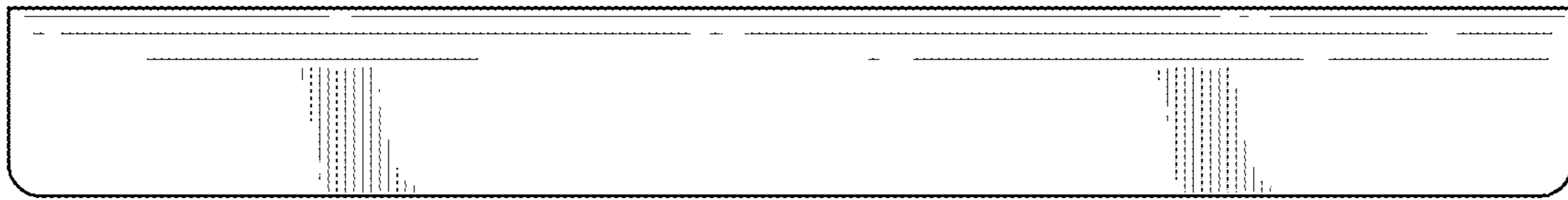


FIG.5

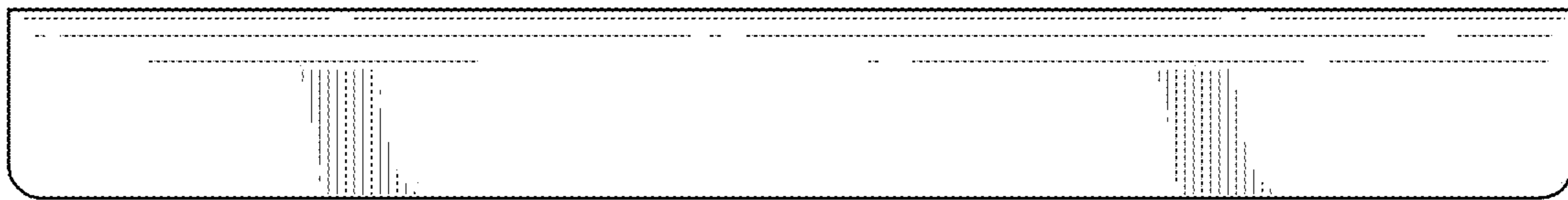


FIG.6



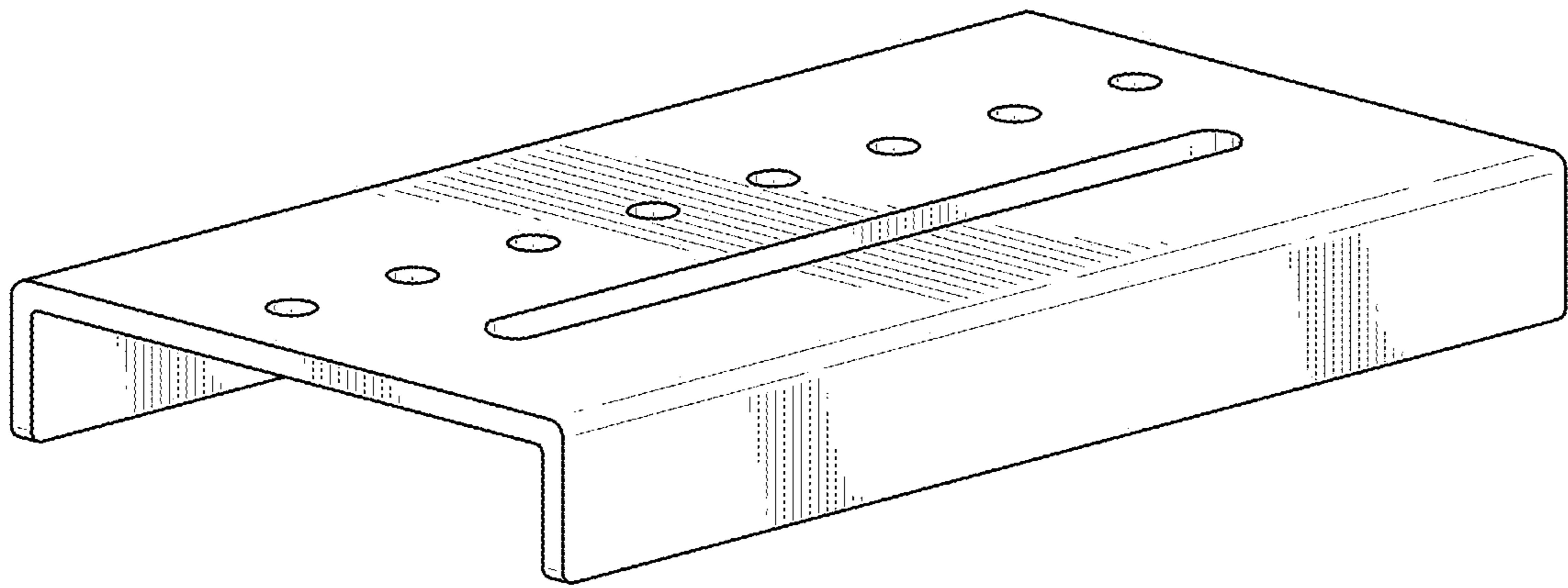


FIG.7

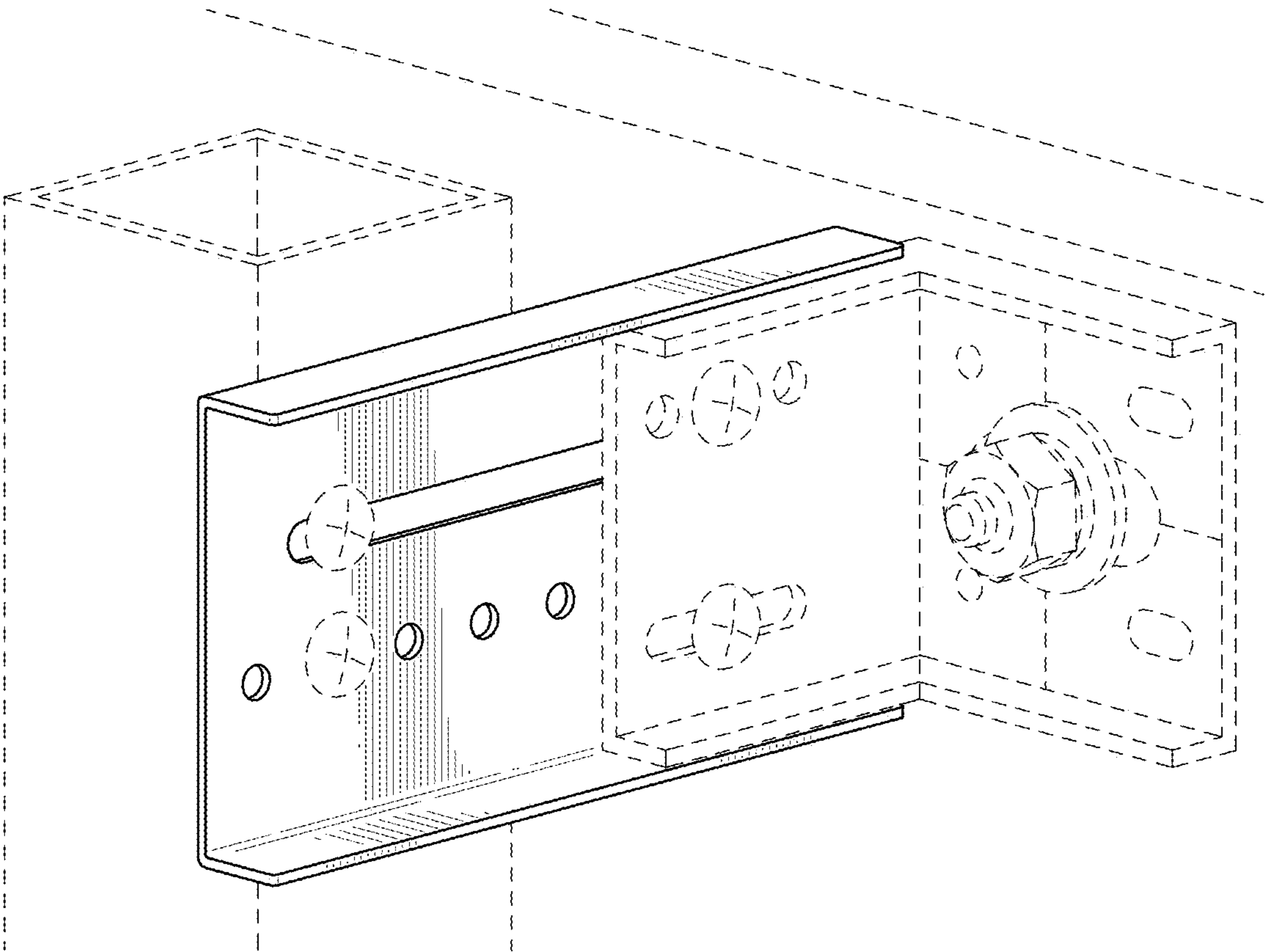


FIG.8