



US00D904170S

(12) **United States Design Patent** (10) **Patent No.:** **US D904,170 S**
Francis (45) **Date of Patent:** **** Dec. 8, 2020**

(54) **MULTI-PURPOSE BRACKET**

2019/0277022 A1* 9/2019 Francis F16B 7/0433

(71) Applicant: **Daniel Marchell Francis**, Falls Church, VA (US)

* cited by examiner

(72) Inventor: **Daniel Marchell Francis**, Falls Church, VA (US)

Primary Examiner — George D. Kirschbaum

Assistant Examiner — Maria J Edwards

(74) *Attorney, Agent, or Firm* — Maier & Maier, PLLC

(**) Term: **15 Years**

(57) **CLAIM**

The ornamental design for a multi-purpose bracket, as shown and described.

(21) Appl. No.: **29/682,880**

(22) Filed: **Mar. 8, 2019**

DESCRIPTION

(51) **LOC (12) Cl.** **08-05**

(52) **U.S. Cl.**
USPC **D8/354**

(58) **Field of Classification Search**
USPC D8/354
CPC .. F16B 2/005; F16B 2/10; F16B 2/185; A47B 45/00; A47B 81/00
See application file for complete search history.

FIG. 1 is a front perspective view of a multi-purpose bracket;
FIG. 2 is a front view thereof;
FIG. 3 is a rear view thereof;
FIG. 4 is a left view thereof;
FIG. 5 is a right view thereof;
FIG. 6 is a top view thereof;
FIG. 7 is a bottom view thereof;
FIG. 8 is a front perspective view of another embodiment of a multi-purpose bracket;
FIG. 9 is a front view thereof;
FIG. 10 is a rear view thereof;
FIG. 11 is a left view thereof;
FIG. 12 is a right view thereof;
FIG. 13 is a top view thereof; and,
FIG. 14 is a bottom view thereof.

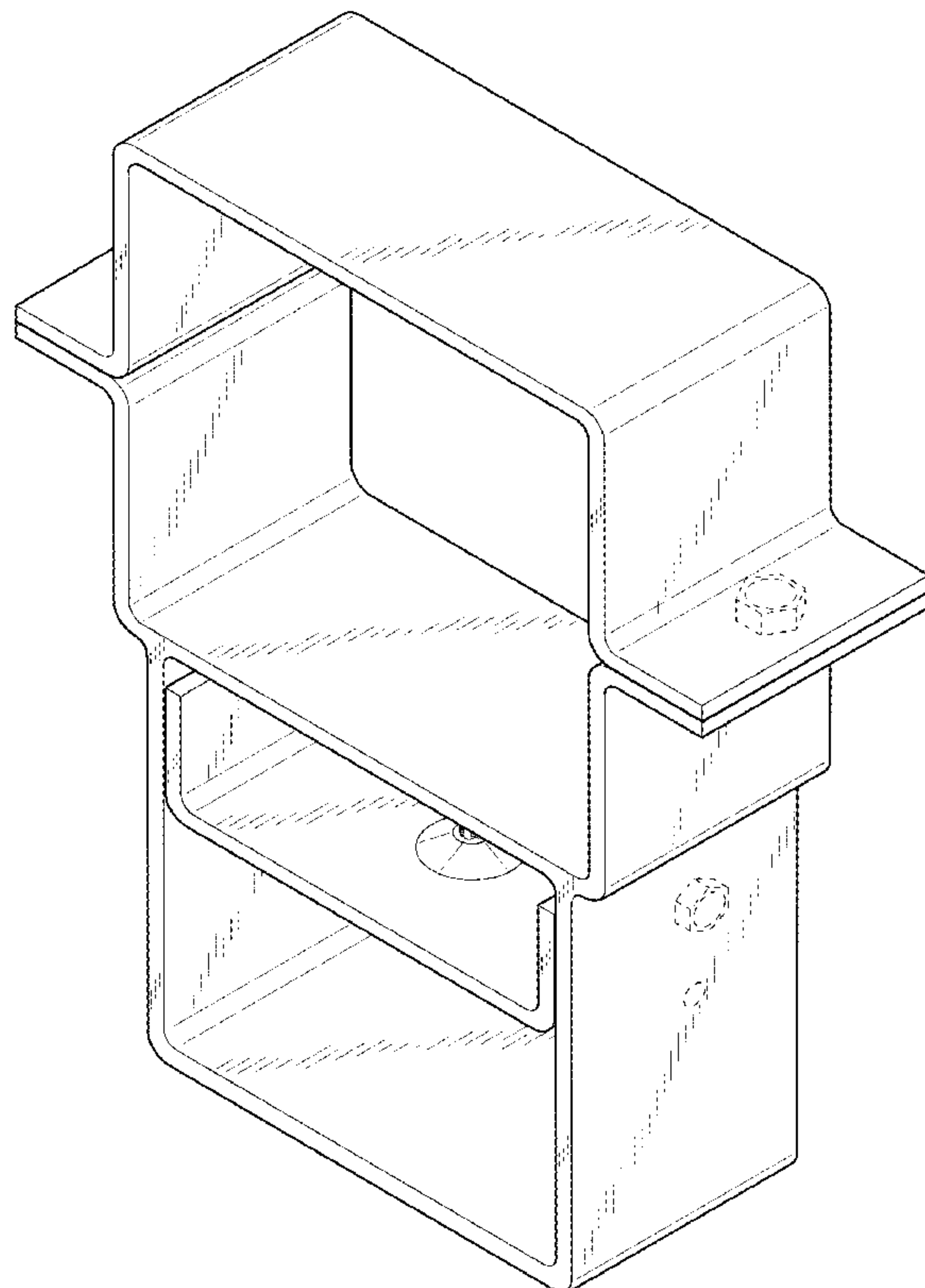
The broken lines showing portions of the multi-purpose bracket form no part of the claimed design.

(56) **References Cited**

U.S. PATENT DOCUMENTS

D342,011 S *	12/1993	Maguire	D8/349
D389,154 S *	1/1998	Williamson	D14/229
D478,497 S *	8/2003	Curtas	D8/354
D605,026 S *	12/2009	Lin	D8/354
D691,024 S *	10/2013	Stanic	D8/354
D695,091 S *	12/2013	Nunez Farfan	D8/354
D732,930 S *	6/2015	Harrow	D8/354
2003/0047653 A1 *	3/2003	Ballard	F16B 12/46 248/200

1 Claim, 10 Drawing Sheets



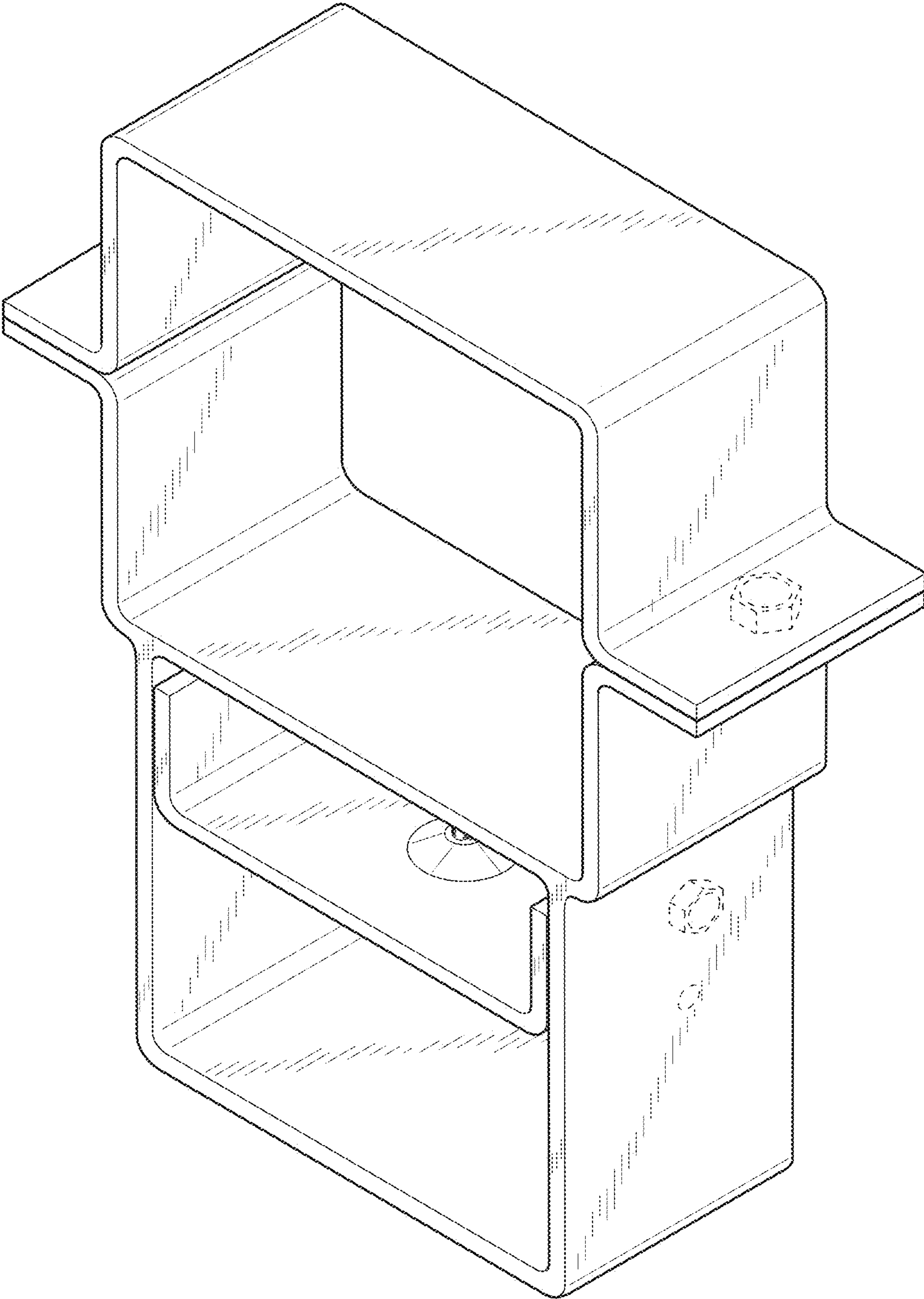


Fig. 1

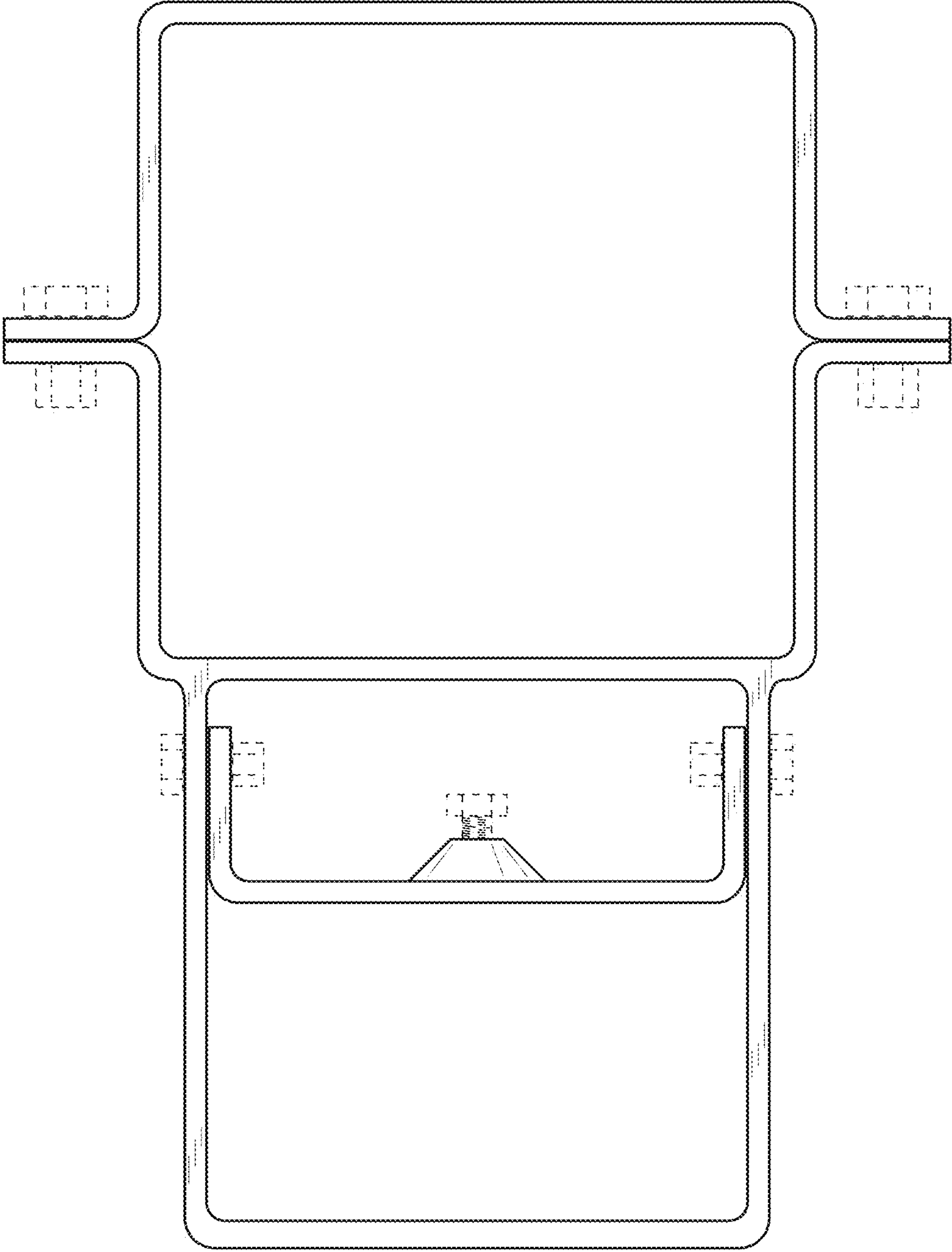


Fig. 2

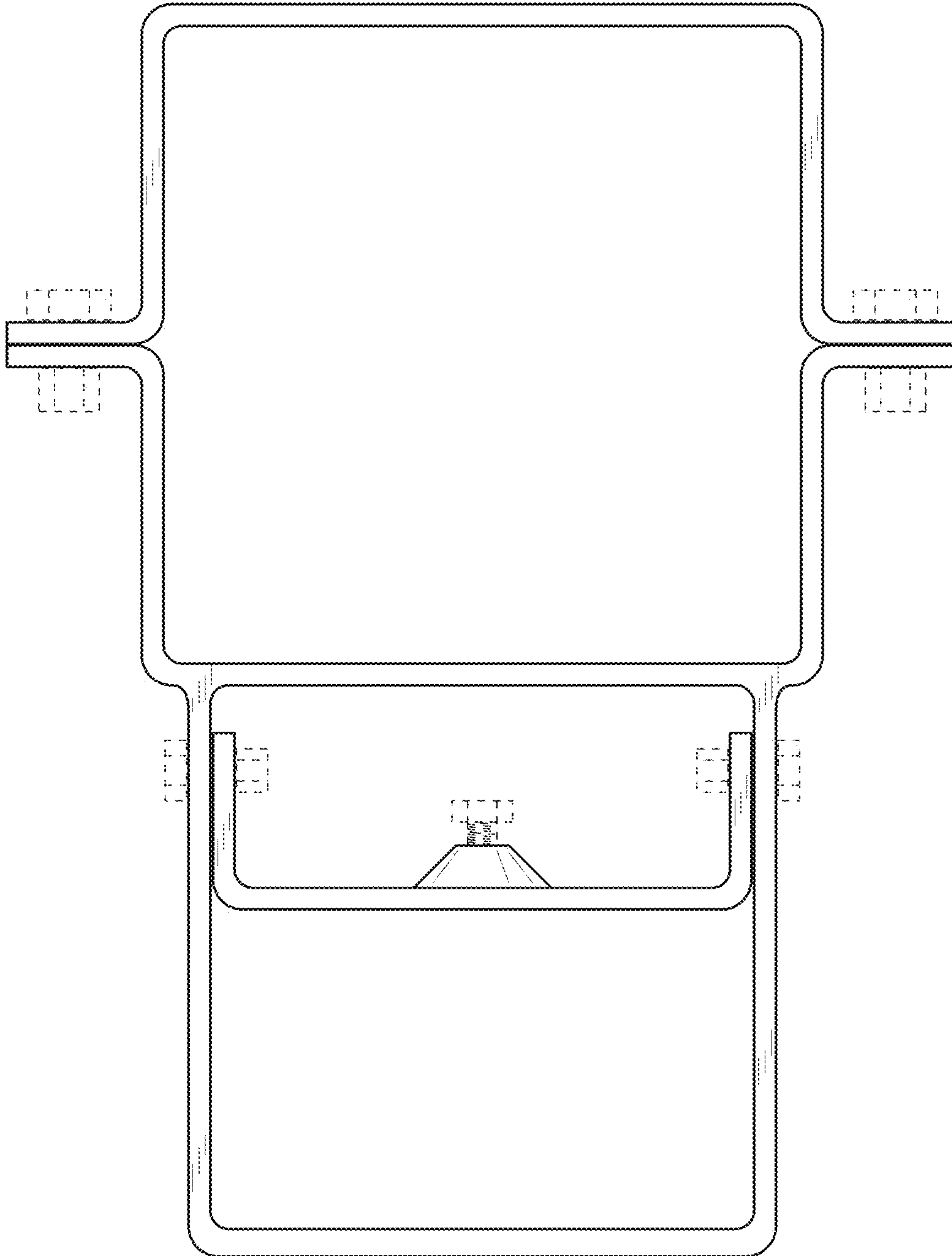


Fig. 3

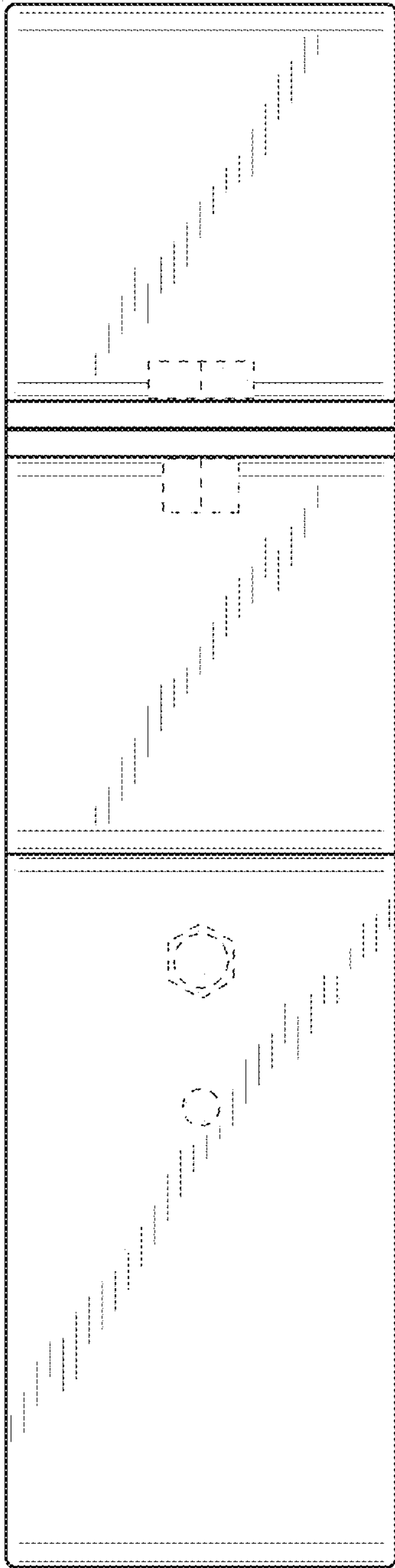


Fig. 4

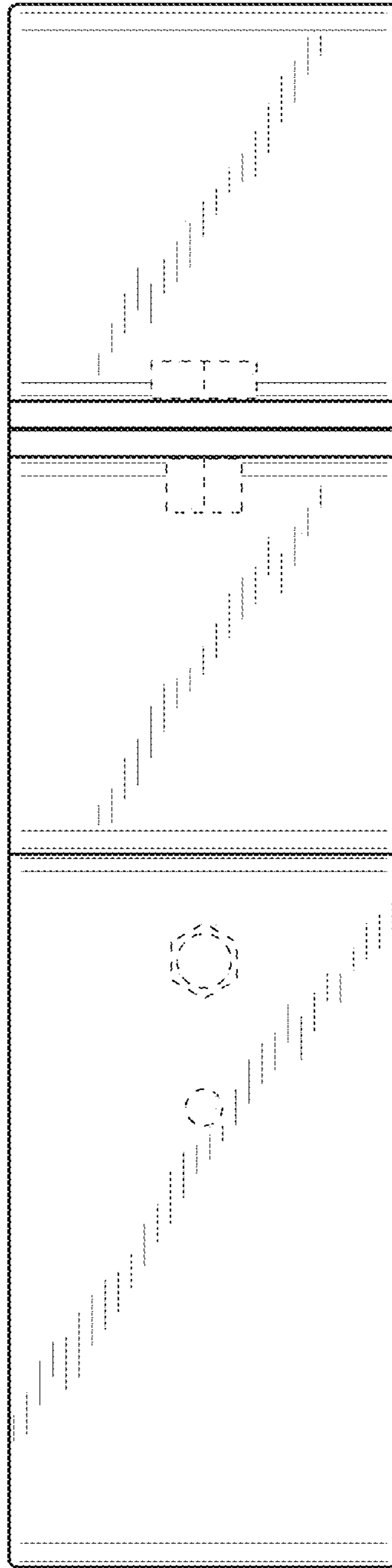


Fig. 5

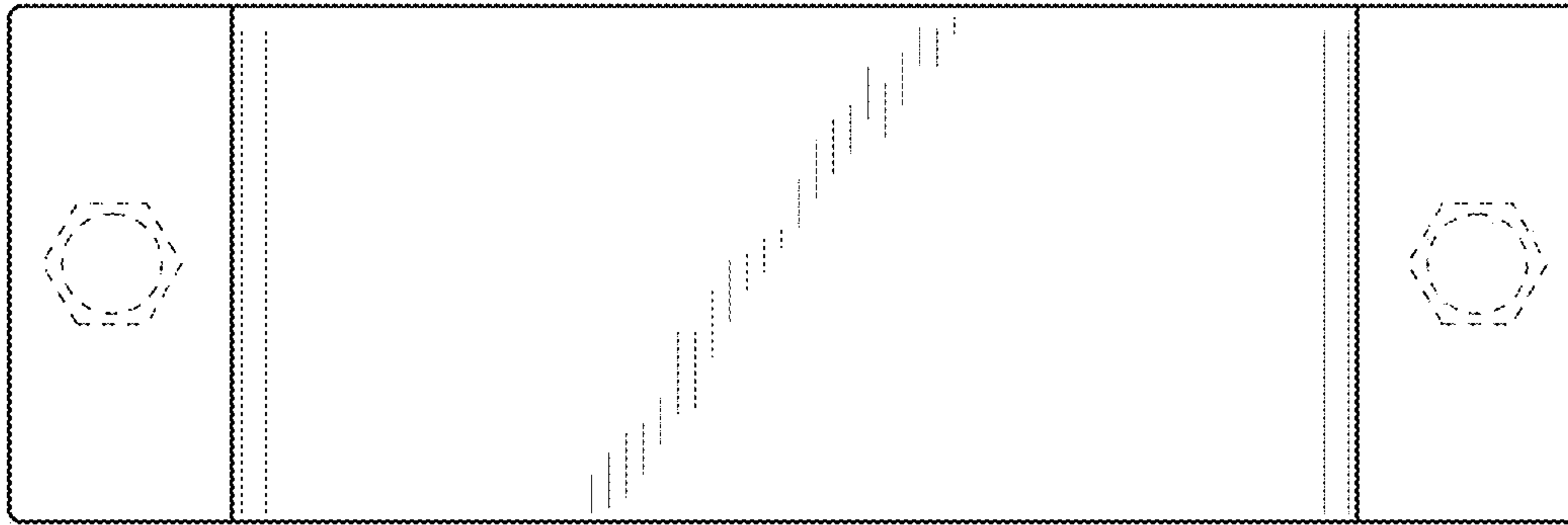


Fig. 6



Fig. 7

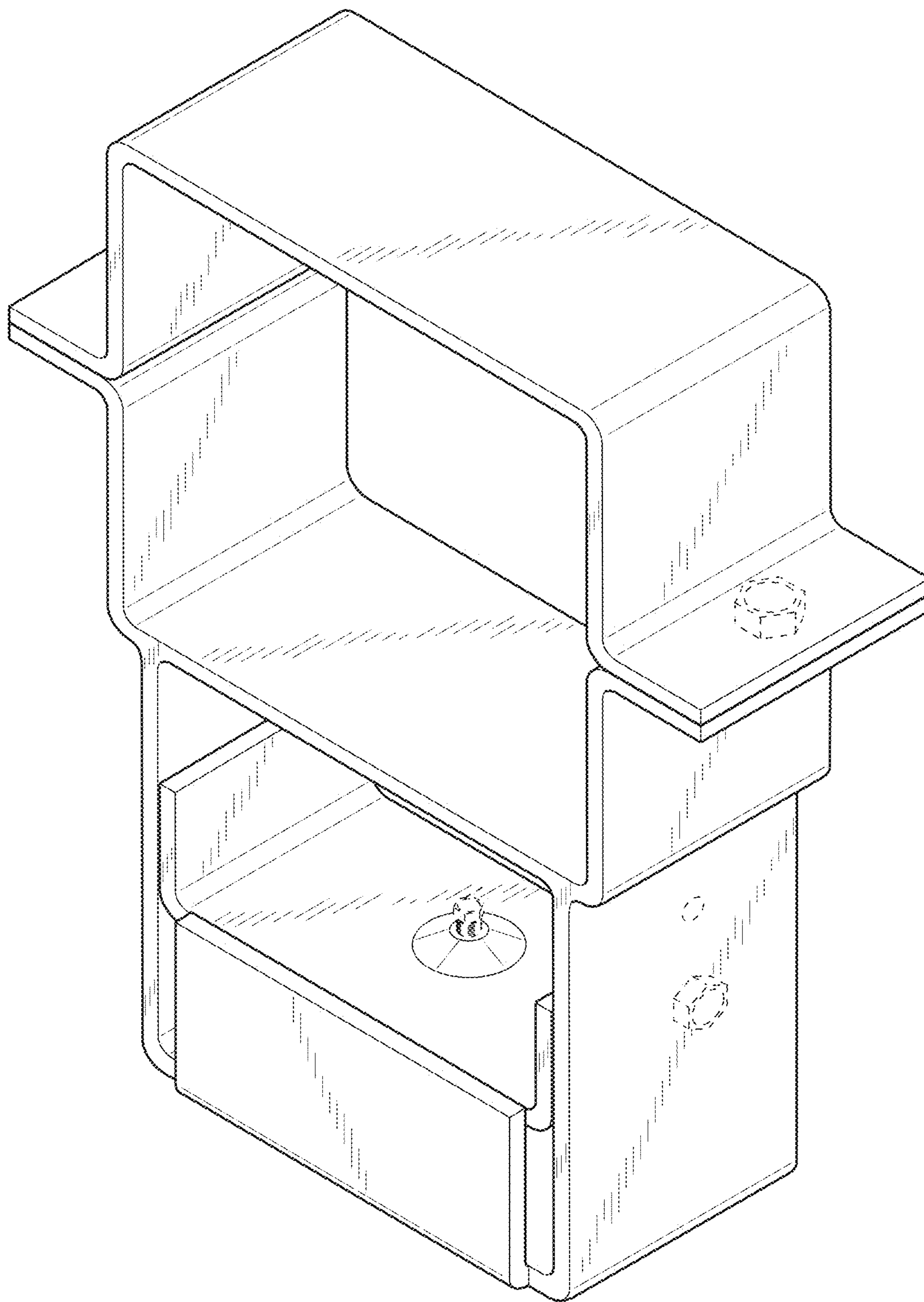


Fig. 8

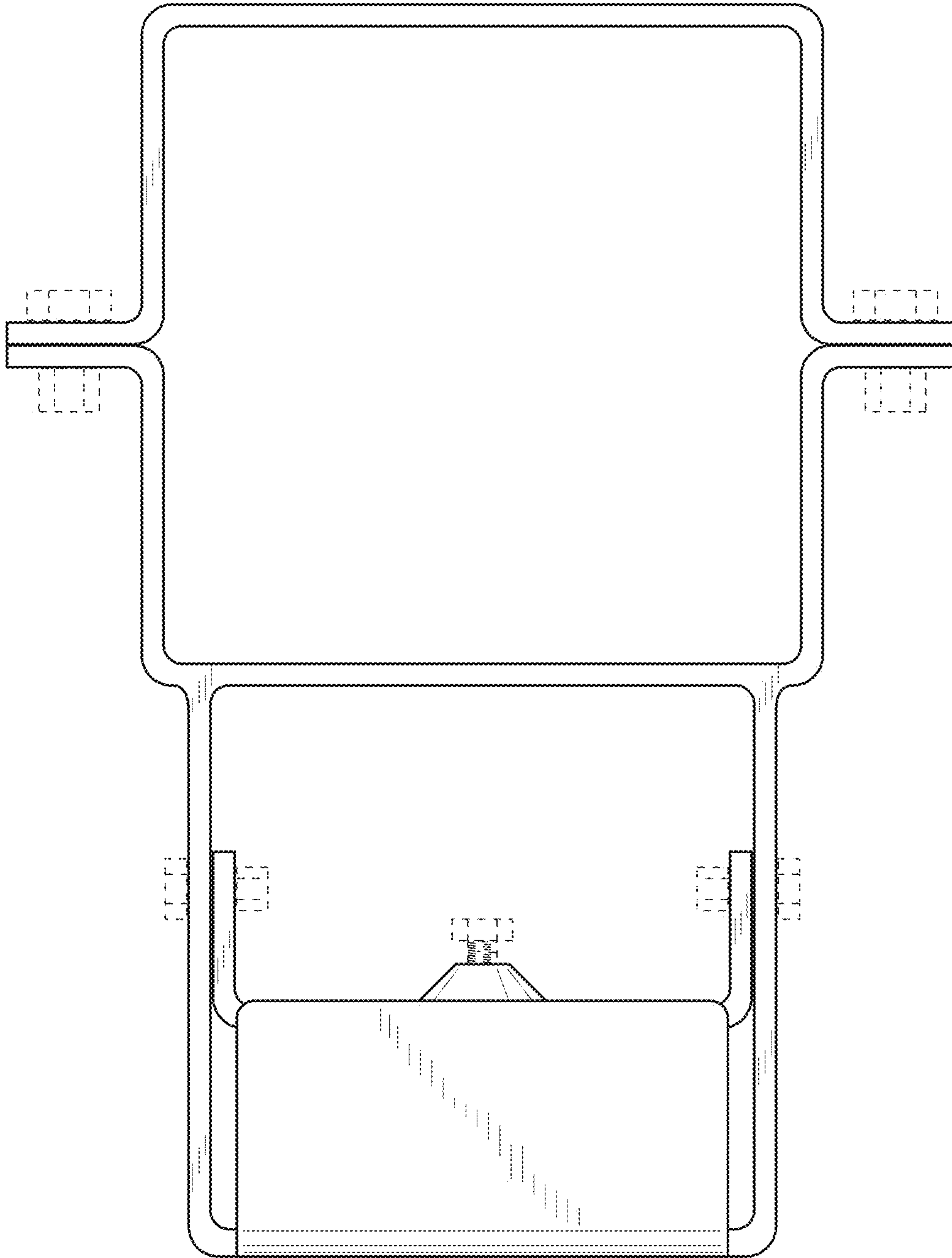


Fig. 9

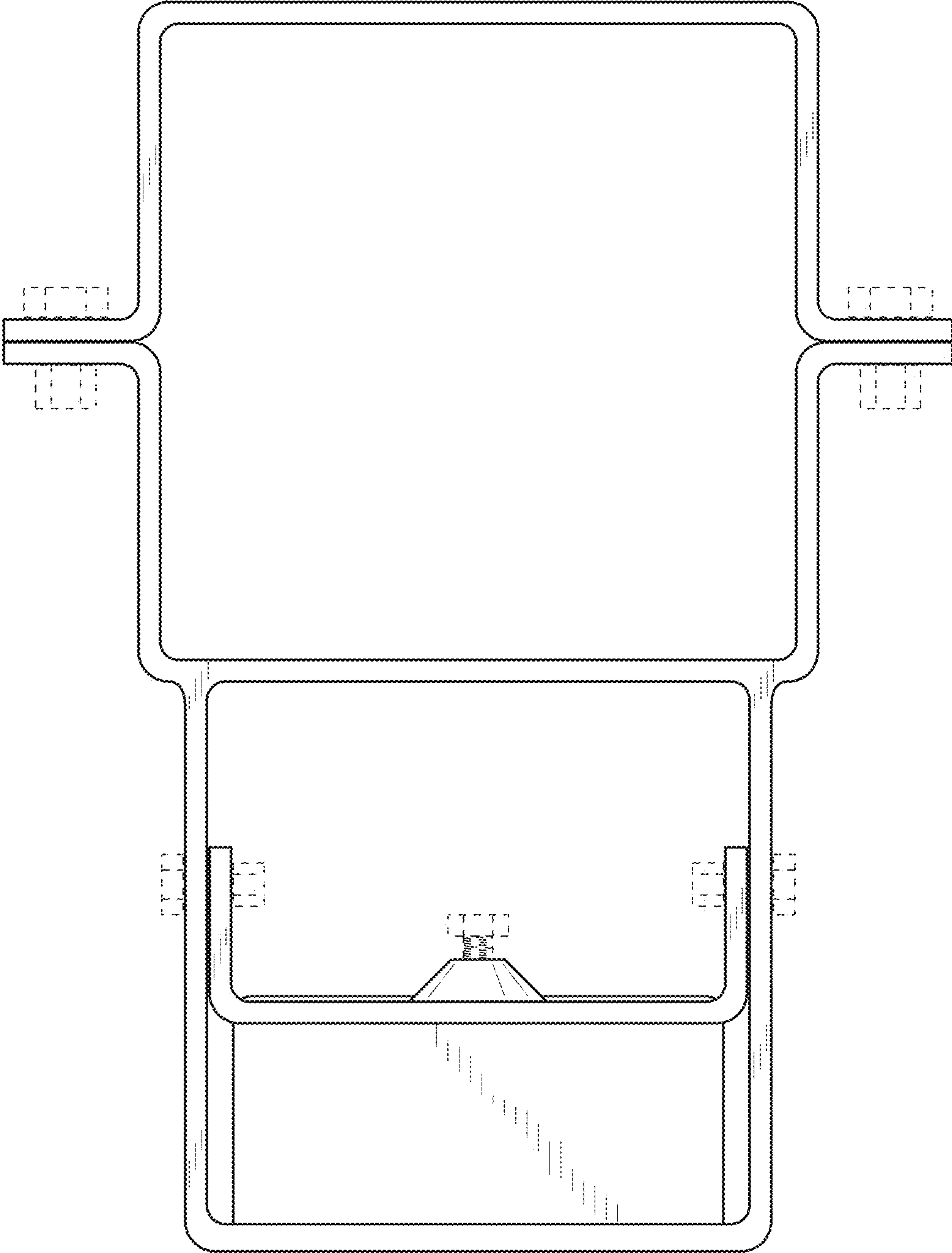


Fig. 10

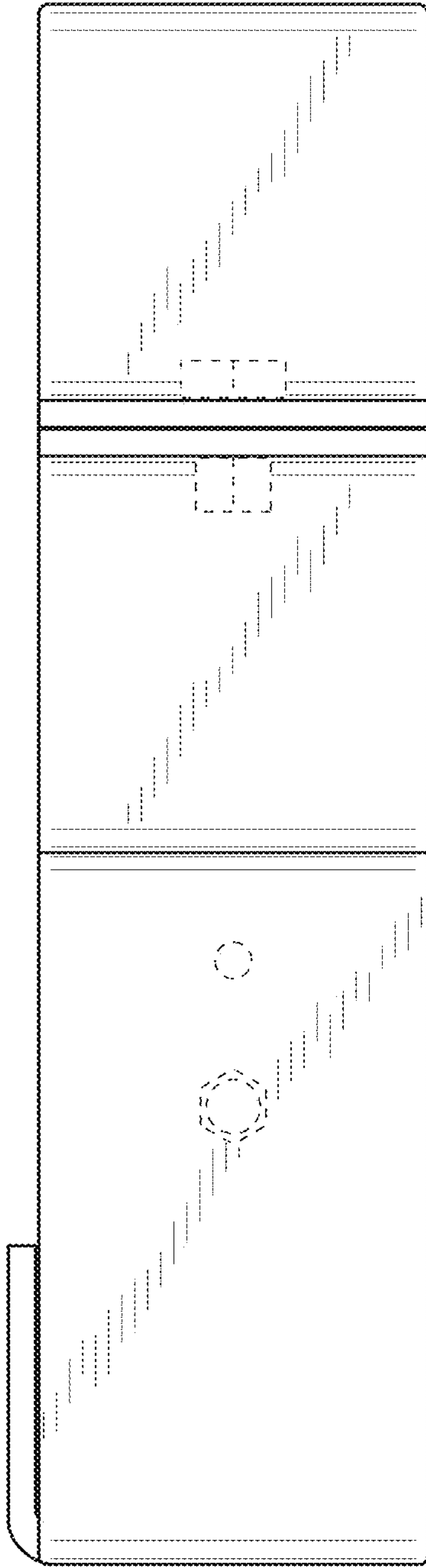


Fig. 11

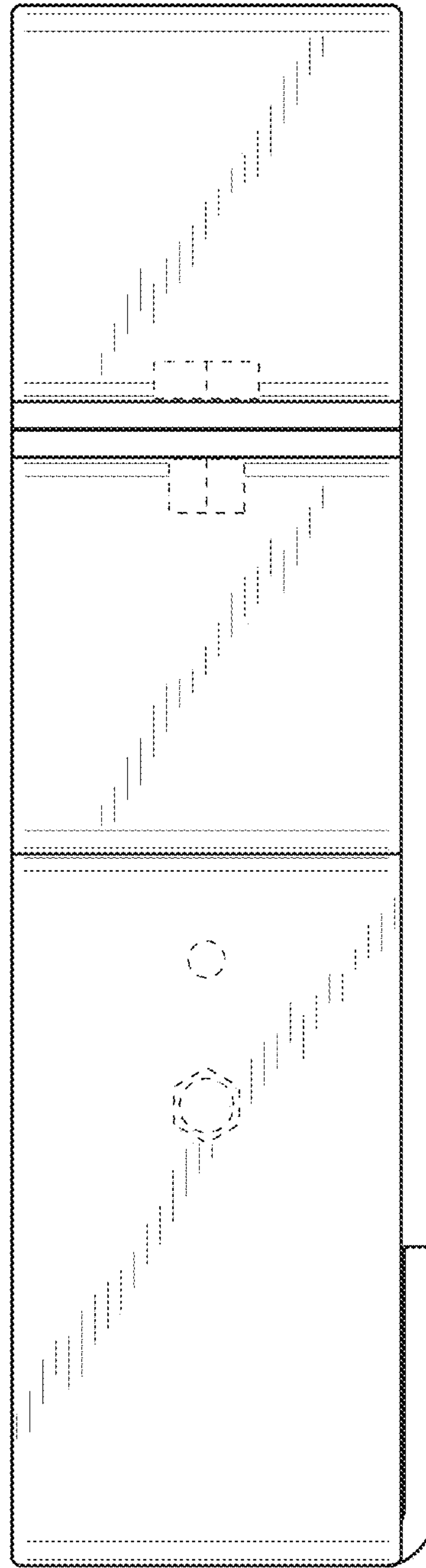


Fig. 12

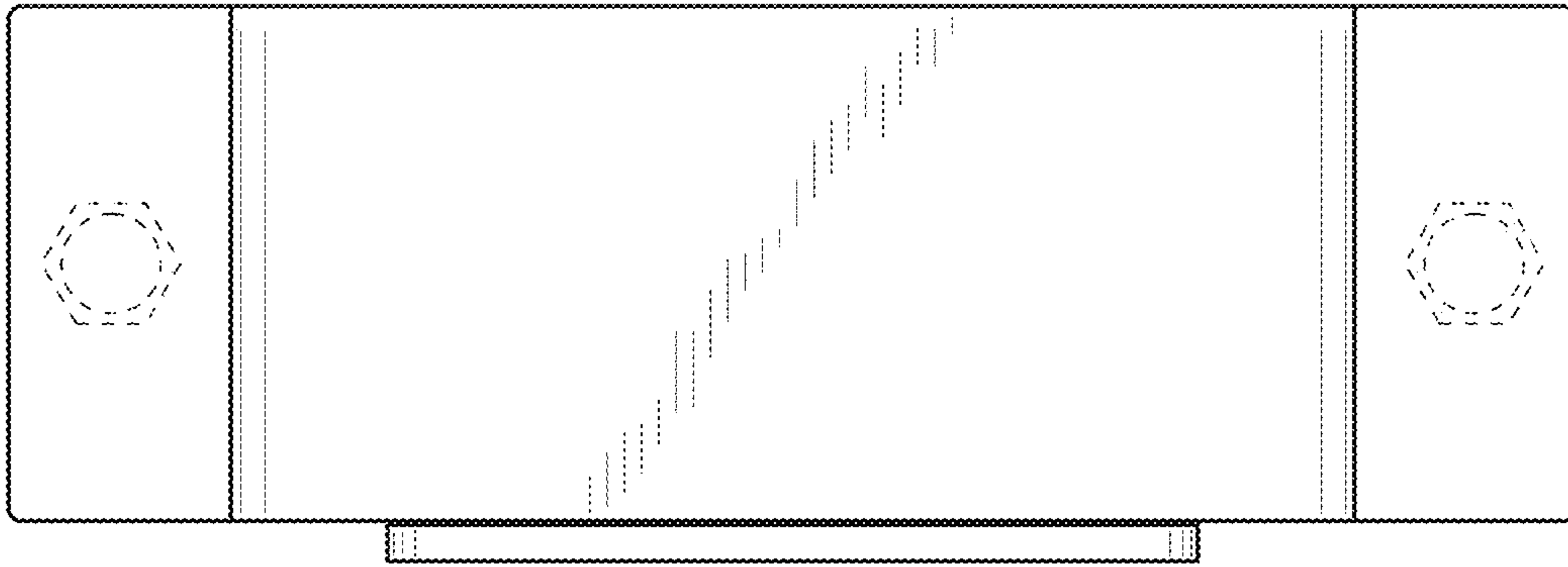


Fig. 13

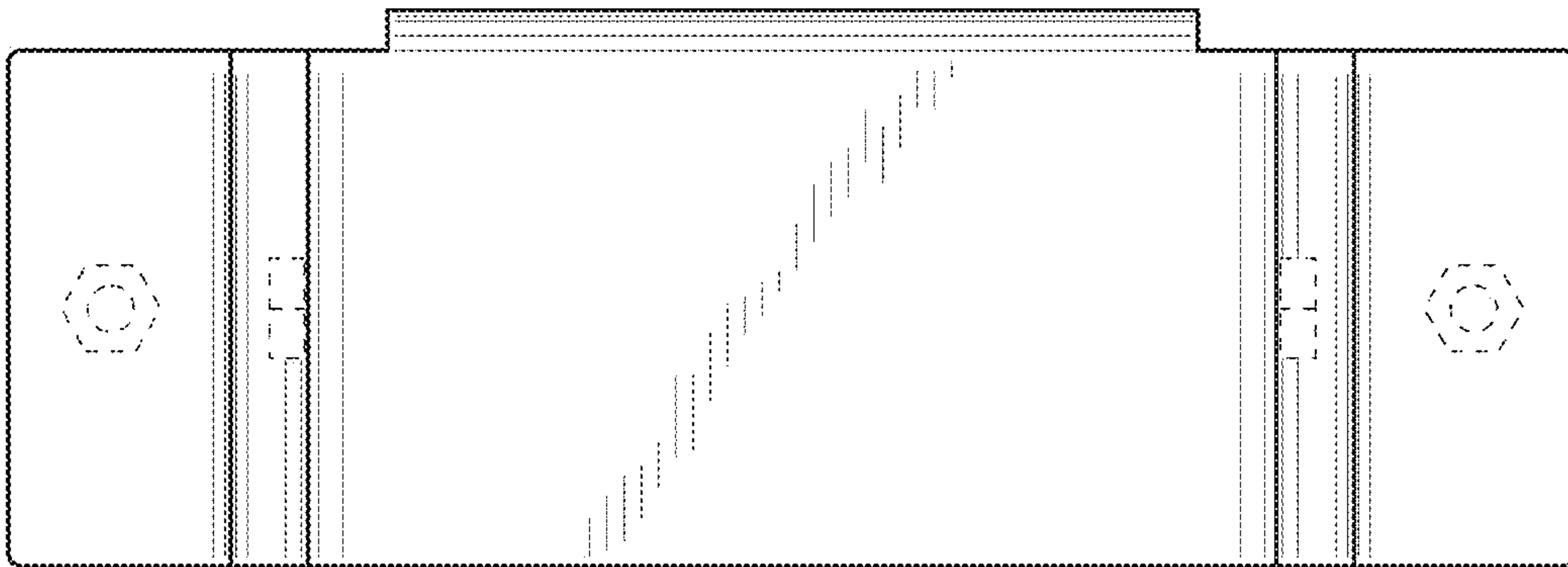


Fig. 14