



US00D904169S

(12) **United States Design Patent** (10) **Patent No.:** **US D904,169 S**  
**Nighswander et al.** (45) **Date of Patent:** **\*\* Dec. 8, 2020**

(54) **BRACKET BASE**

(71) Applicant: **Swivel-Link, LLC**, Hicksville, OH (US)

(72) Inventors: **Anthony R. Nighswander**, Hicksville, OH (US); **Chad A. Sprow**, Continental, OH (US)

(73) Assignee: **Swivel-Link, LLC**, Hicksville, OH (US)

(\*\*) Term: **15 Years**

(21) Appl. No.: **29/679,713**

(22) Filed: **Feb. 8, 2019**

(51) **LOC (12) Cl.** ..... **08-05**

(52) **U.S. Cl.**  
USPC ..... **D8/354**

(58) **Field of Classification Search**  
USPC ..... D8/354  
CPC ..... A47G 7/044; G09F 7/20  
See application file for complete search history.

(56) **References Cited**

**U.S. PATENT DOCUMENTS**

D272,593 S *	2/1984	Fort	.....	D25/58
D578,868 S *	10/2008	Ramakers	.....	D8/354
D820,992 S *	6/2018	King	.....	D24/200
D888,972 S *	6/2020	Chernyavskiy	.....	D24/200
2015/0313788 A1 *	11/2015	Conte	.....	A61H 9/0057 601/6

**OTHER PUBLICATIONS**

4 in. Square Swivel Fixture Hanger Cover, posted at garvinindustries.com, posting date not given, [online], [site visited Jul. 23, 2020].

Available from Internet, URL: <https://www.garvinindustries.com/covers-and-device-rings/4-square-covers-device-rings/fixture-device-hangers/sc-50> (Year: 2020).\*

AFSB-1-15 Standard Imperial Ball, posted at swivellink.com, posting date not given, [online], [site visited Jul. 23, 2020]. Available from Internet, URL: <https://swivellink.com/products/mounts/bases/afsb-1-15/> (Year: 2020).\*

California Faucets Swivel Wall Bracket, posted at qualitybath.com, posting date not given, [online], [site visited Jul. 23, 2020]. Available from Internet, URL: <https://www.qualitybath.com/california-faucets-sh-20s47-swivel-wall-bracket-hex-base-product-325488.htm?sku=SH-20S-47-BLK> (Year: 2020).\*

Rittal CP Wall Base Mounting Bracket, posted at stateelectric.com, posting date not given, [online], [site visited Jul. 23, 2020]. Available from Internet, URL: <https://www.stateelectric.com/products/rittal-cp-6663-500/> (Year: 2020).\*

\* cited by examiner

*Primary Examiner* — George D. Kirschbaum

*Assistant Examiner* — Maria J Edwards

(74) *Attorney, Agent, or Firm* — Taylor IP, P.C.

(57) **CLAIM**

The ornamental design for a bracket base, as shown and described.

**DESCRIPTION**

FIG. 1 is a perspective view of a bracket base showing our new design;

FIG. 2 is a side view thereof;

FIG. 3 is an opposite side view thereof;

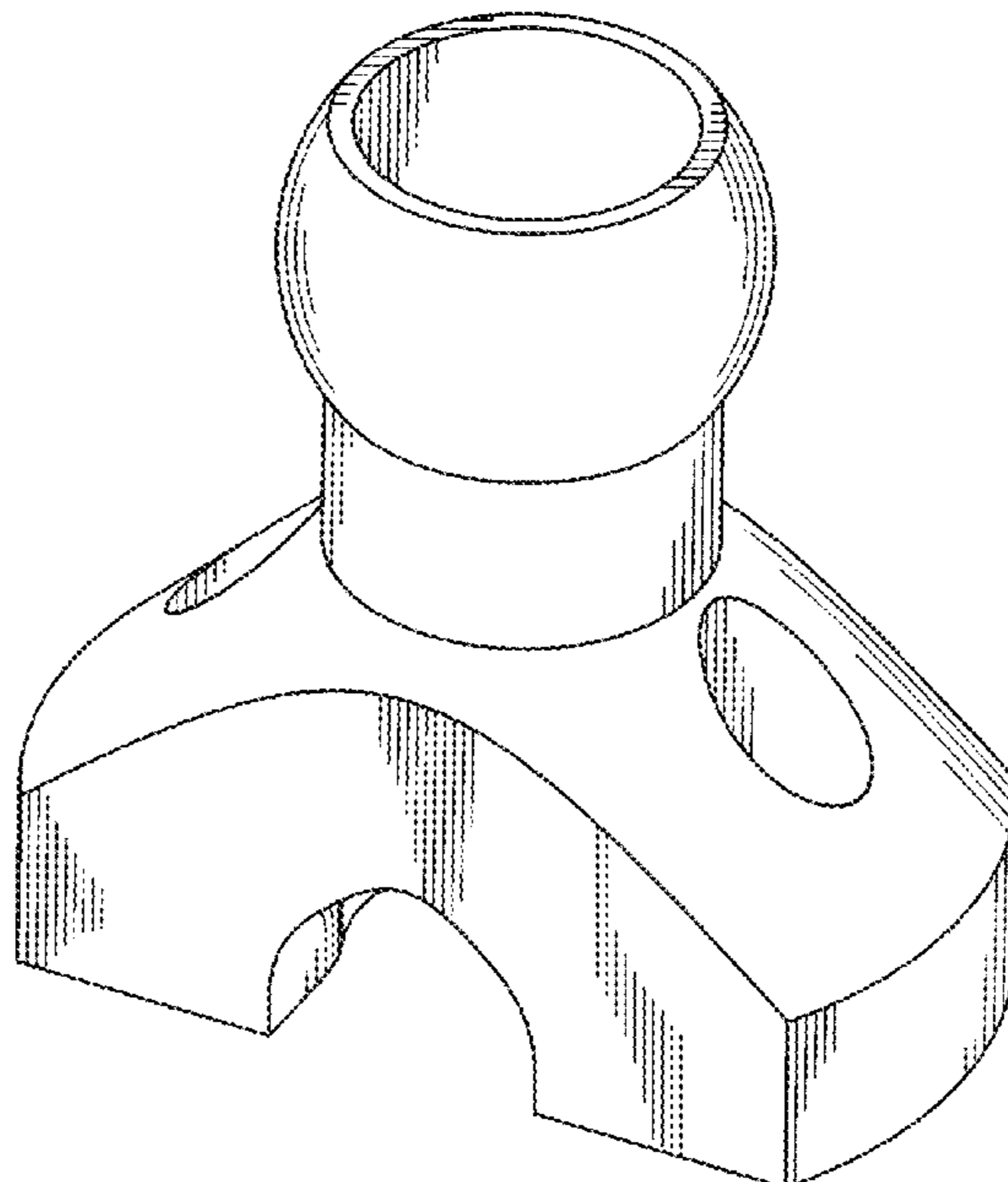
FIG. 4 is a top view thereof;

FIG. 5 is a bottom view thereof;

FIG. 6 is an end view thereof, the opposite end view being substantially identical; and,

FIG. 7 is a section view thereof, taken along the section line 7-7 indicated in FIG. 2.

**1 Claim, 4 Drawing Sheets**



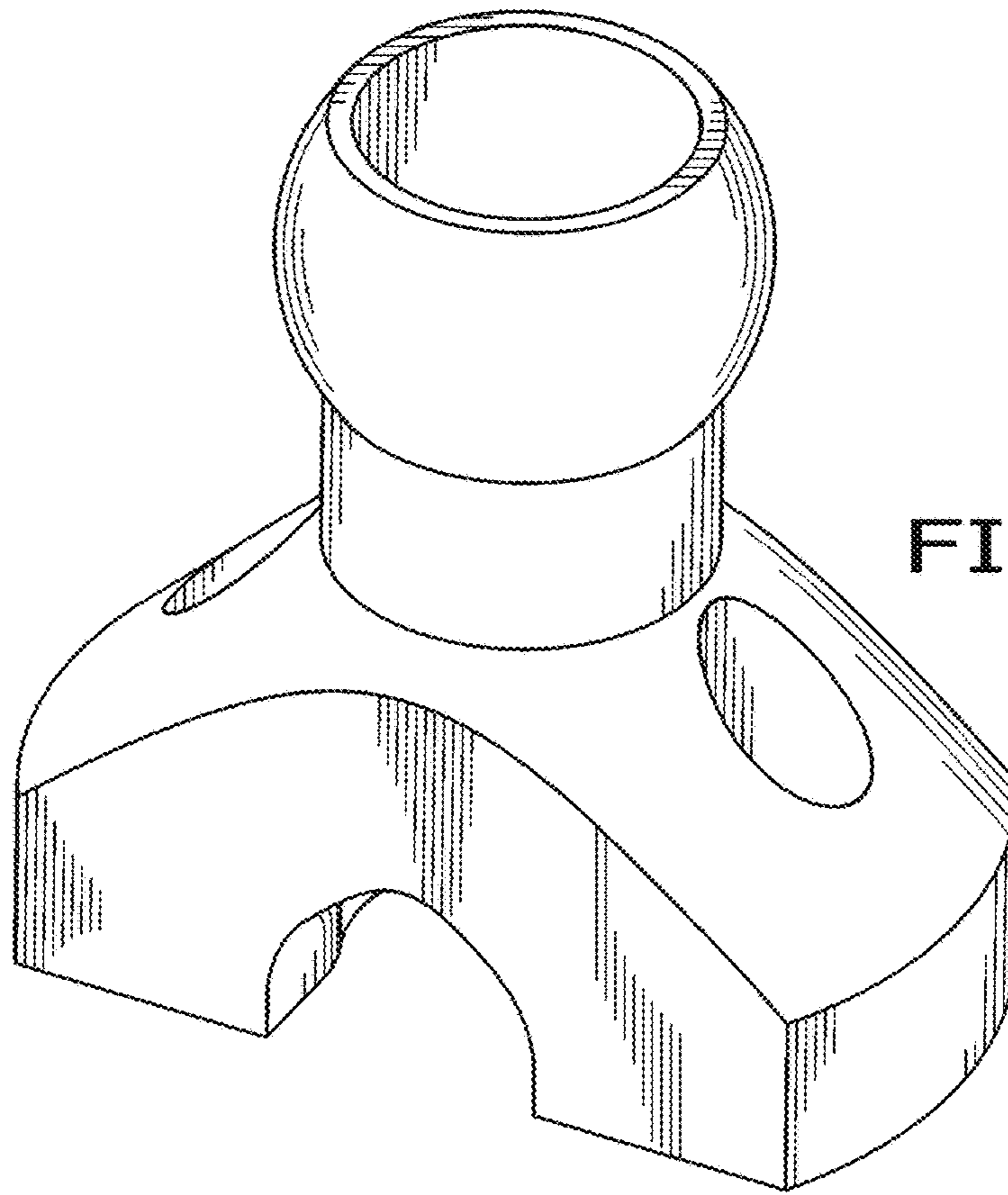


FIG. 1

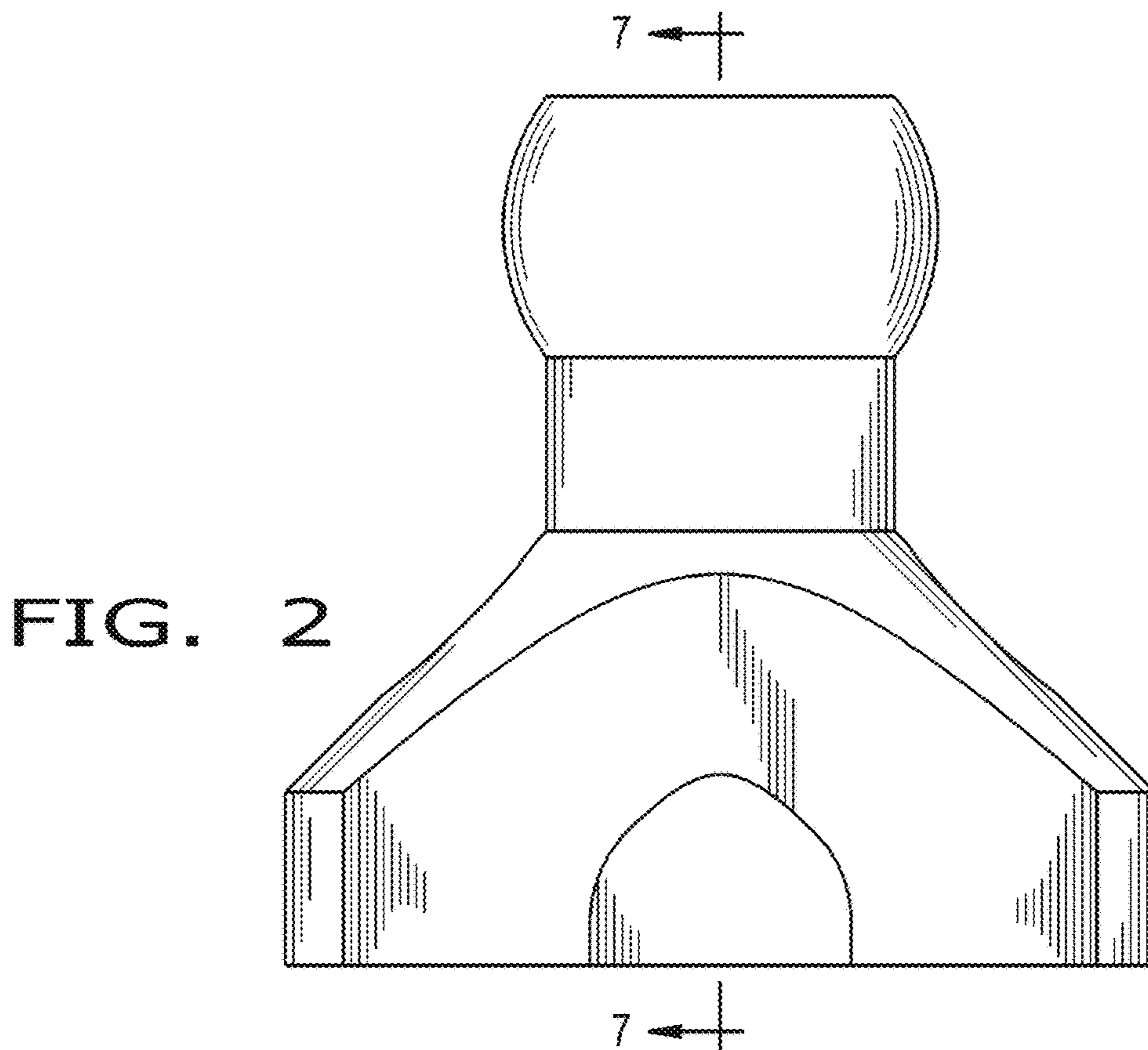


FIG. 2

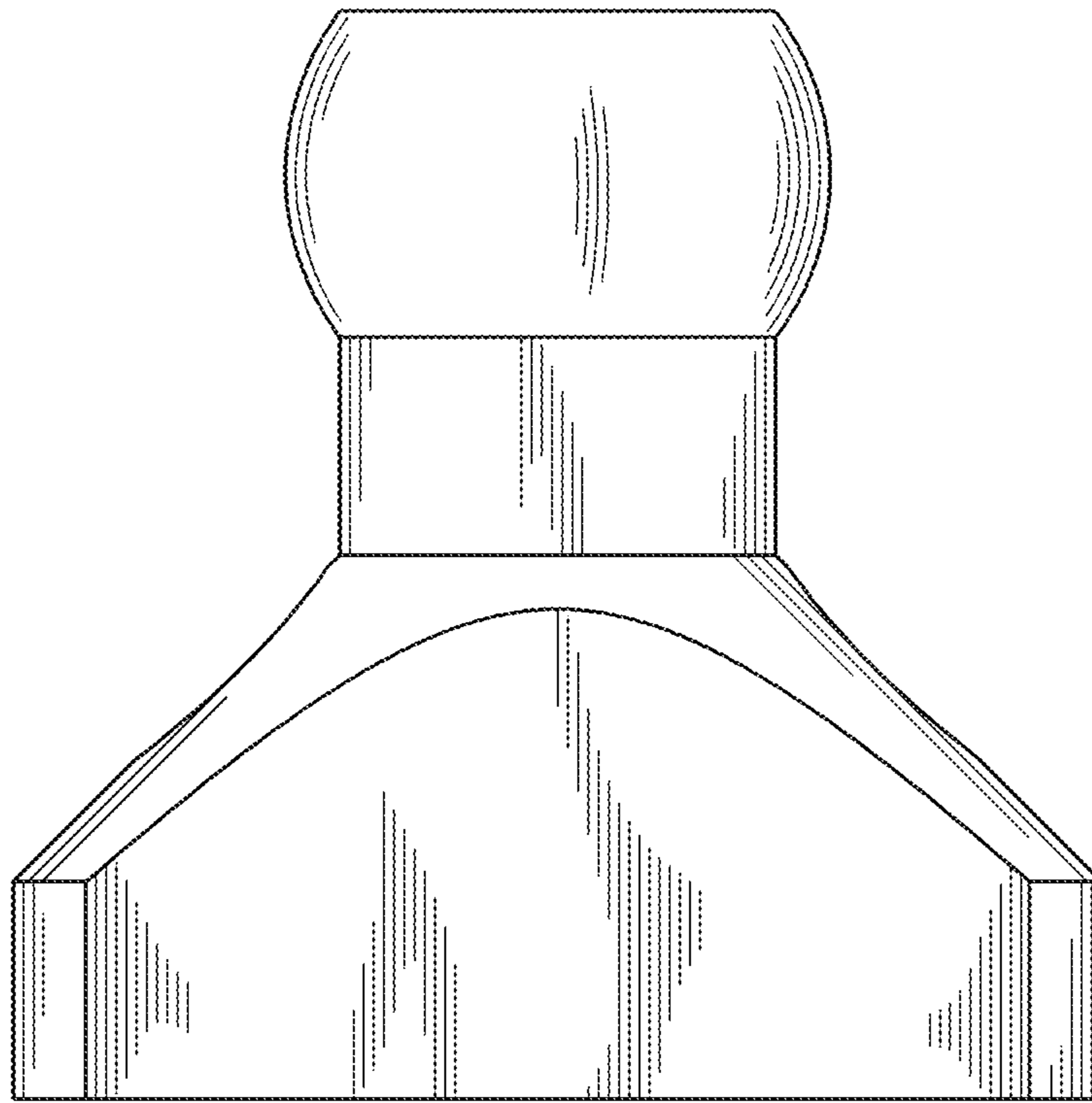


FIG. 3

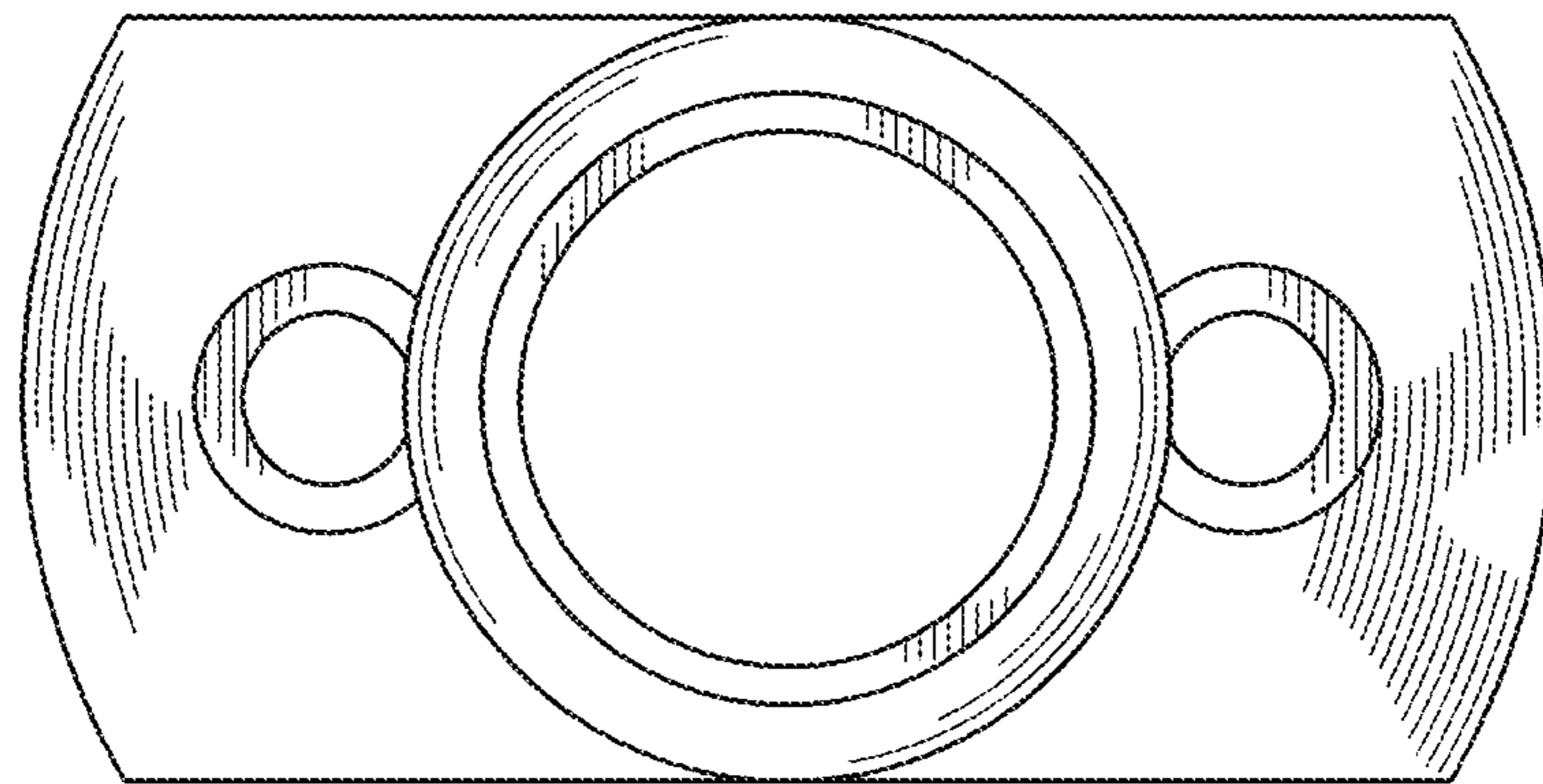


FIG. 4

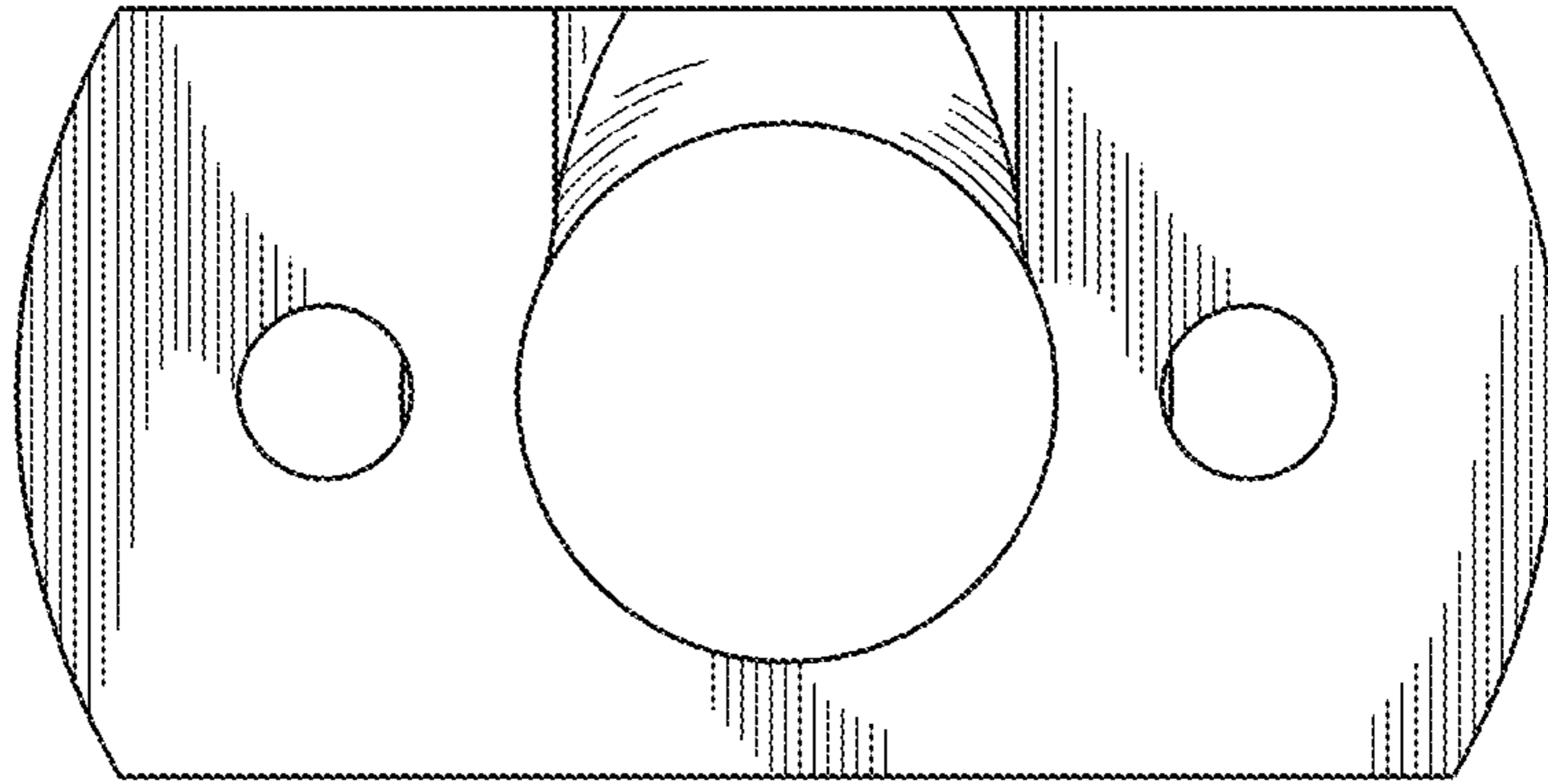


FIG. 5

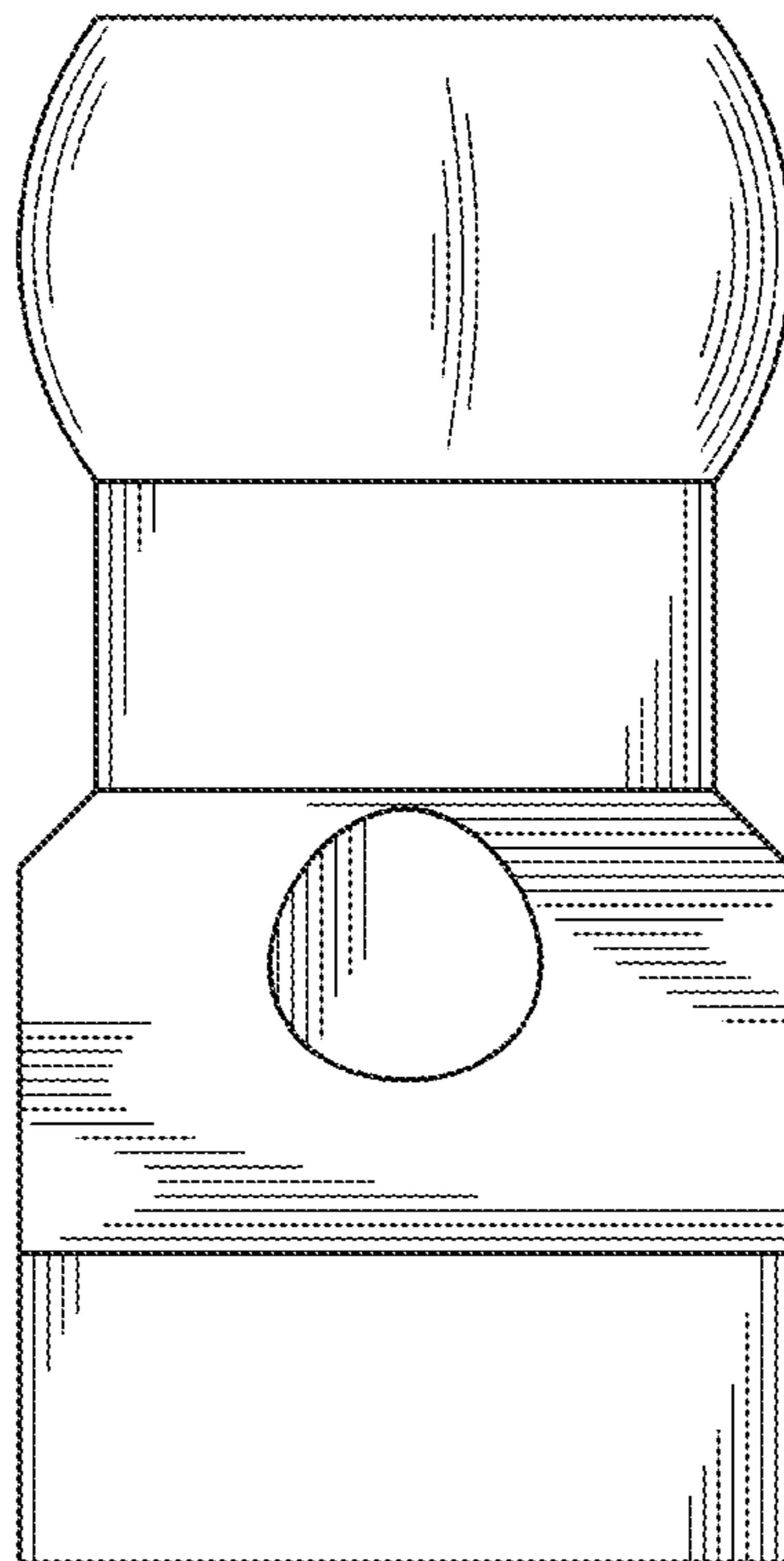


FIG. 6

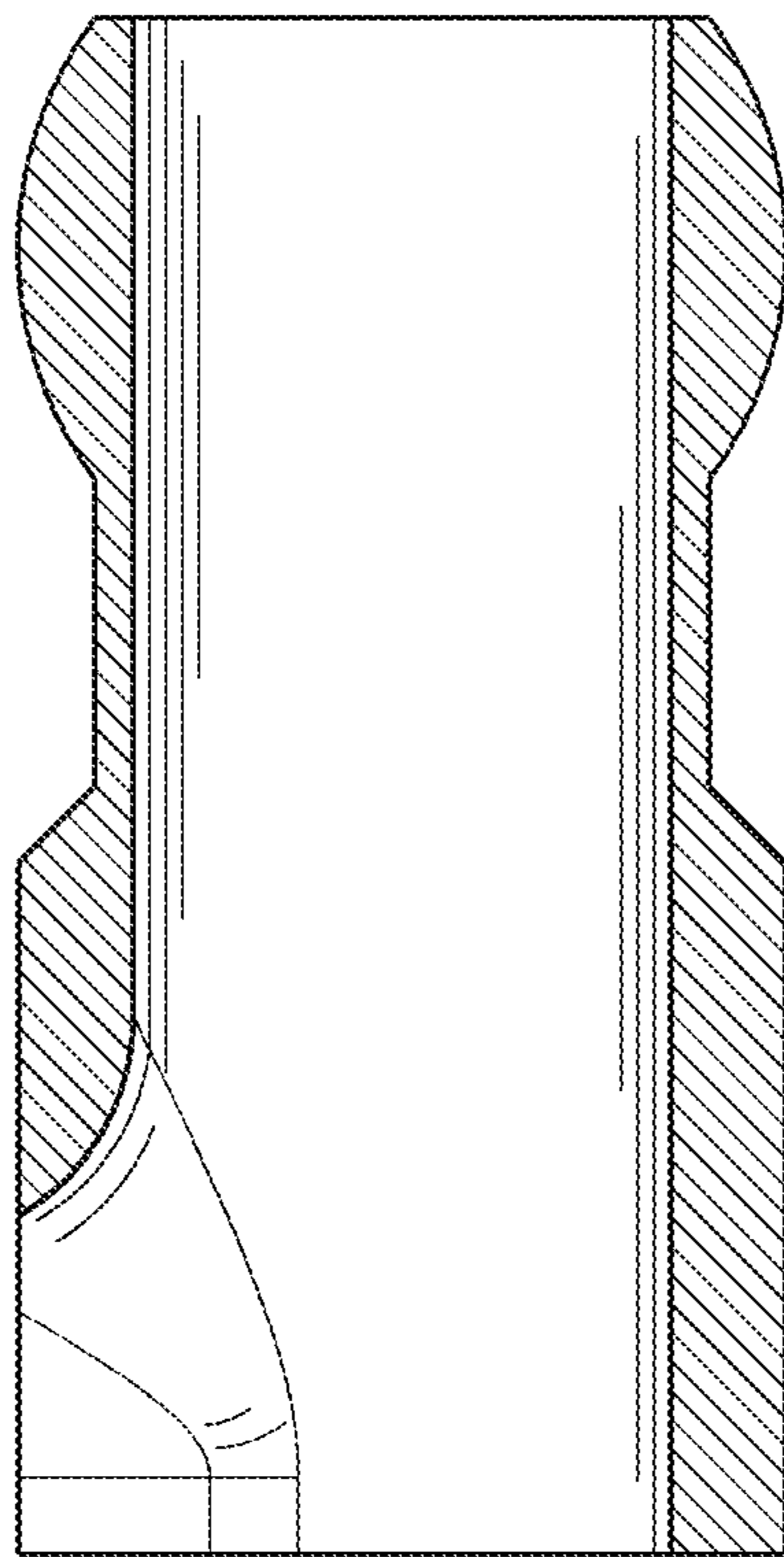


FIG. 7