



US00D904168S

(12) **United States Design Patent** (10) **Patent No.:** **US D904,168 S**
Bastian et al. (45) **Date of Patent:** **** Dec. 8, 2020**

(54) **MECHANICAL COUPLER**
(71) Applicant: **MCS Industries, Inc.**, Easton, PA (US)
(72) Inventors: **Geoffrey William Bastian**, Wind Gap, PA (US); **Michael Lee Pyle**, Sugar Grove, IL (US); **Matthew Scott Kressin**, Allentown, PA (US); **Robert Terry Coyle, Jr.**, Palmer, PA (US)

(73) Assignee: **MCS Industries, Inc.**
(**) Term: **15 Years**

(21) Appl. No.: **29/729,046**
(22) Filed: **Mar. 24, 2020**

Related U.S. Application Data

(62) Division of application No. 29/661,111, filed on Sep. 25, 2018, now Pat. No. Des. 882,384.
(51) **LOC (12) Cl.** **08-08**
(52) **U.S. Cl.**
USPC **D8/349**
(58) **Field of Classification Search**
USPC D8/349, 382, 385, 387, 388, 391, 393, D8/343, 330; D23/233, 235, 248, 249, D23/258, 259, 262, 266
CPC F16L 9/16; F16L 37/0985; F16B 12/22; F16B 12/125
See application file for complete search history.

(56) **References Cited**

U.S. PATENT DOCUMENTS

4,258,464 A 3/1981 Ullman, Jr.
D333,178 S 2/1993 Novy
5,529,424 A 6/1996 Neubert et al.
D388,876 S 1/1998 Sampson
5,868,537 A 2/1999 Latal et al.
6,904,835 B2 6/2005 Dugan et al.
D625,977 S 10/2010 Watson et al.

D703,513 S * 4/2014 Mistyurik D8/330
D733,265 S 6/2015 Eriksen et al.
D763,662 S * 8/2016 Ezell D8/349
9,414,675 B2 8/2016 Koelling et al.
9,447,804 B2 9/2016 Andersson et al.
D774,628 S * 12/2016 Provenzano D23/262
(Continued)

FOREIGN PATENT DOCUMENTS

DE 102007058662 6/2009
WO WO 2016/137385 A1 9/2016
(Continued)

Primary Examiner — Susan E Krakower
Assistant Examiner — Jerry Shiuan-Hua Hsu
(74) *Attorney, Agent, or Firm* — Belles Katz LLC

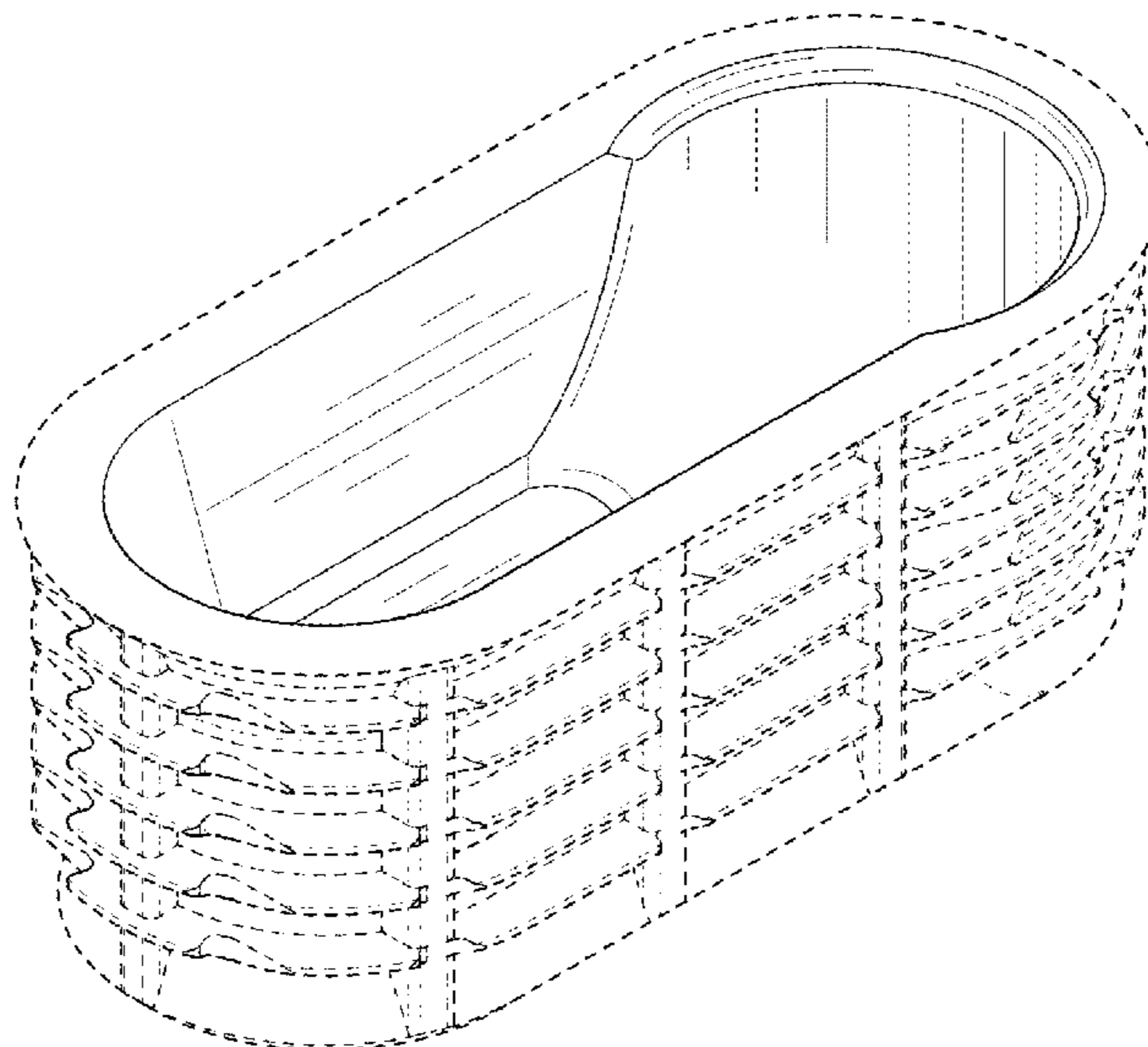
(57) **CLAIM**

The ornamental design for a mechanical coupler, as shown and described.

DESCRIPTION

FIG. 1 is a top, right perspective view of a mechanical coupler showing our new design;
FIG. 2 is a bottom, right perspective view thereof;
FIG. 3 is a front elevation view thereof;
FIG. 4 is a rear elevation view thereof;
FIG. 5 is a right side elevation view thereof;
FIG. 6 is a left side elevation view thereof;
FIG. 7 is a top plan view thereof;
FIG. 8 is a bottom plan view thereof;
FIG. 9 is a cross-sectional view thereof, taken along line 9-9 of FIG. 7; and,
FIG. 10 is a cross-sectional view thereof, taken along line 10-10 of FIG. 7.
The broken lines in the drawings illustrate portions of the mechanical coupler that form no part of the claimed design. The dot-dash broken lines depict section cut indicators that form no part of the claimed design.

1 Claim, 7 Drawing Sheets



(56)

References Cited

U.S. PATENT DOCUMENTS

9,534,623 B2 1/2017 Anderson et al.
 9,677,589 B2 6/2017 Koelling
 9,771,964 B2 9/2017 Leveen et al.
 9,810,253 B2 11/2017 Koelling et al.
 D835,244 S 12/2018 Khubani
 10,211,608 B2 2/2019 Weeks et al.
 D846,367 S * 4/2019 Romero, Jr. D8/343
 D853,535 S 7/2019 Norton et al.
 D859,134 S 9/2019 Iacono
 D865,917 S * 11/2019 Naber D23/259
 10,648,498 B2 * 5/2020 Sjostedt F16B 12/22
 2007/0025811 A1 2/2007 Wilhelm
 2009/0058078 A1 * 3/2009 Knudson F16L 37/0985
 285/136.1
 2011/0085853 A1 * 4/2011 Liu F16B 12/22
 403/381
 2011/0204622 A1 8/2011 Lewis et al.
 2011/0255915 A1 * 10/2011 Chen F16B 12/125
 403/381
 2012/0137624 A1 6/2012 Sibbett

2012/0301217 A1 * 11/2012 Liu F16B 12/22
 403/287
 2013/0239509 A1 * 9/2013 Wang F16B 12/125
 52/704
 2015/0050081 A1 2/2015 Andersson et al.
 2015/0147113 A1 5/2015 Crabtree, II
 2015/0219136 A1 8/2015 Koelling
 2015/0260325 A1 9/2015 Quick
 2015/0285284 A1 10/2015 Koelling et al.
 2015/0300393 A1 10/2015 Leveen et al.
 2015/0342349 A1 12/2015 Koelling et al.
 2017/0023043 A1 1/2017 Koelling et al.
 2017/0297271 A1 10/2017 Dizdar et al.
 2018/0017091 A1 1/2018 Schon
 2018/0031019 A1 2/2018 Sjostedt et al.
 2018/0051734 A1 2/2018 Koelling et al.
 2018/0098627 A1 4/2018 Savage
 2018/0135799 A1 5/2018 Dang
 2018/0328617 A1 * 11/2018 Naber F16L 9/16

FOREIGN PATENT DOCUMENTS

WO WO 2017/105324 A1 6/2017
 WO WO 2017/160202 A1 9/2017

* cited by examiner

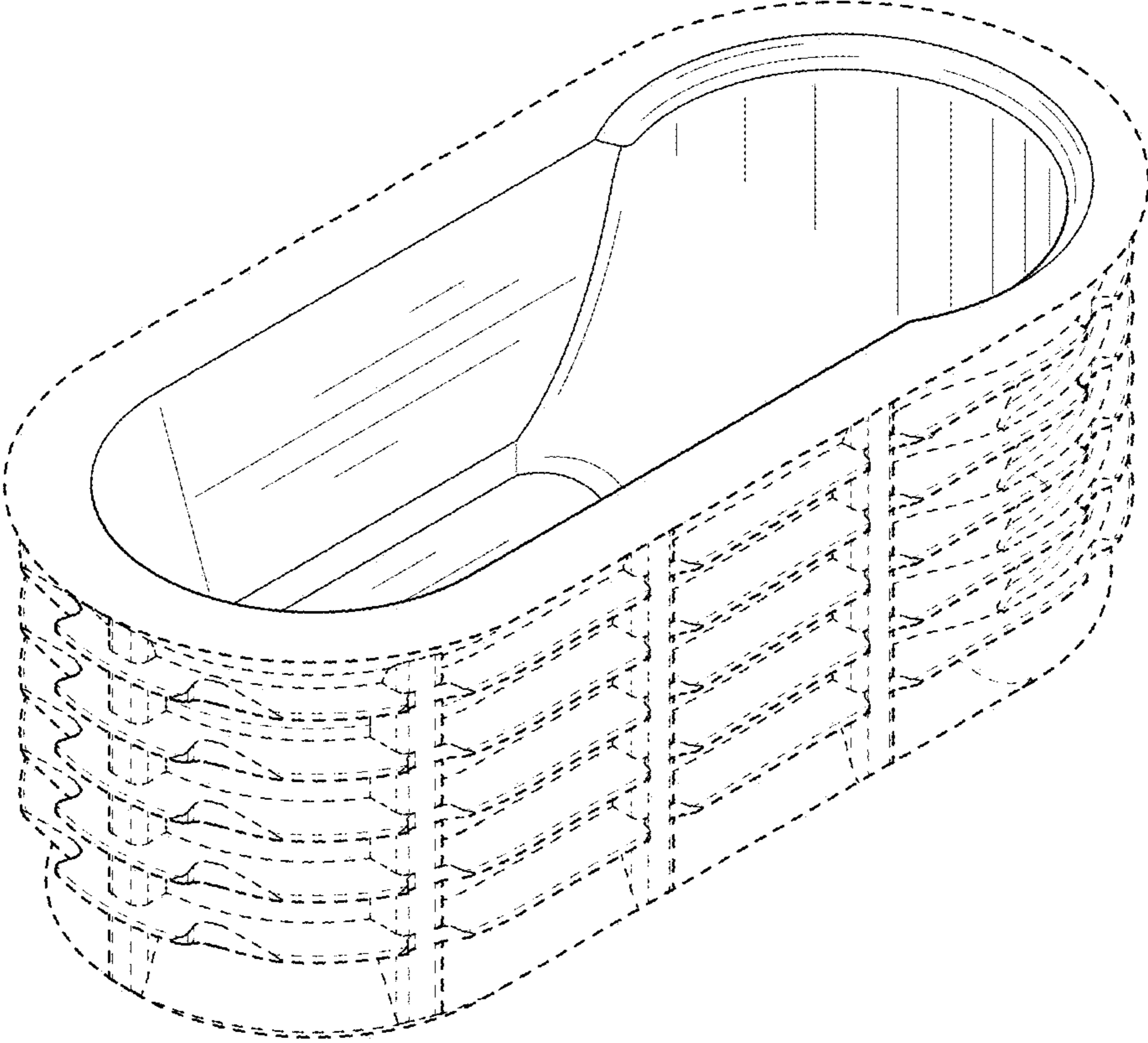


FIG. 1

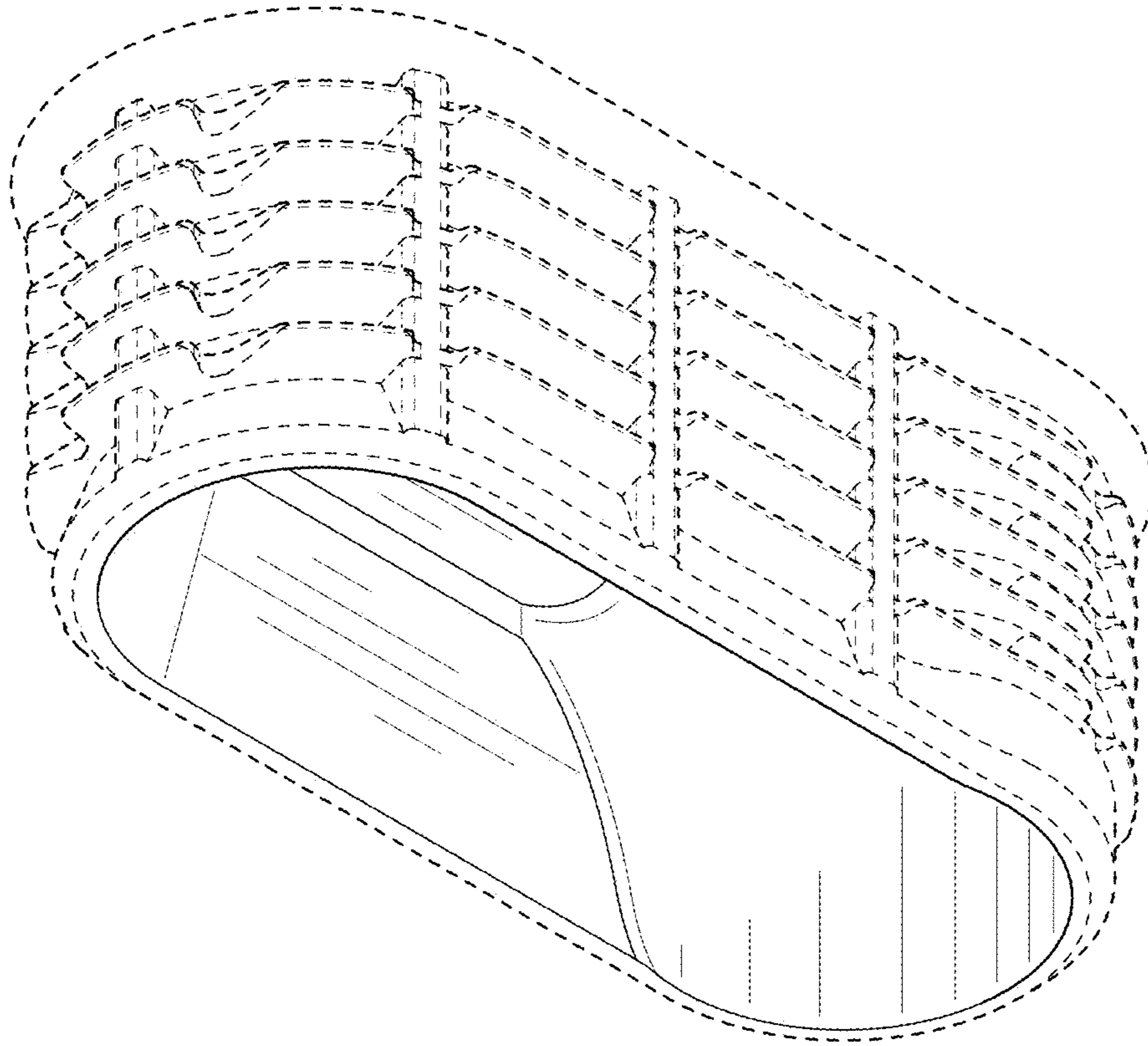


FIG. 2

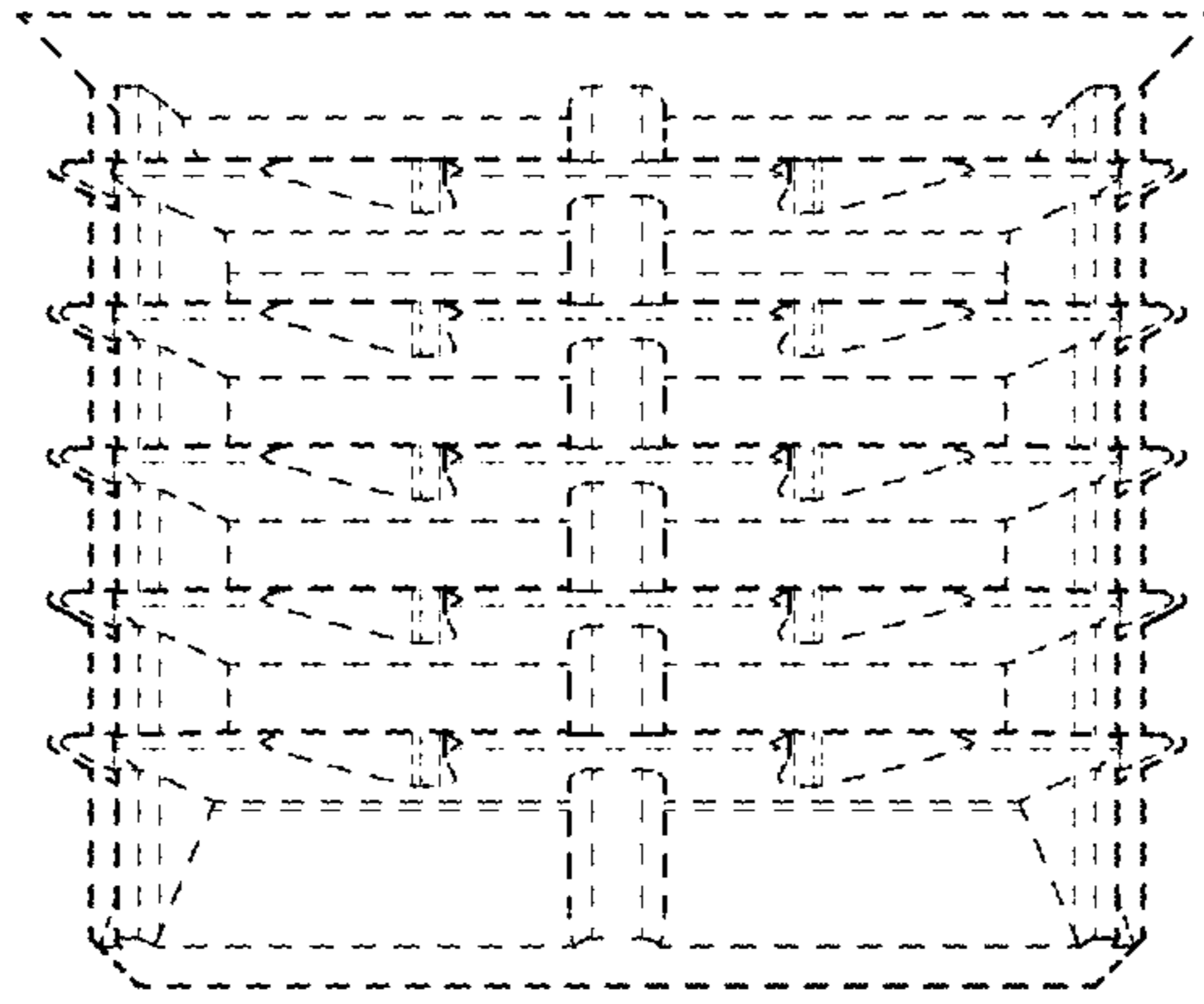


FIG. 3

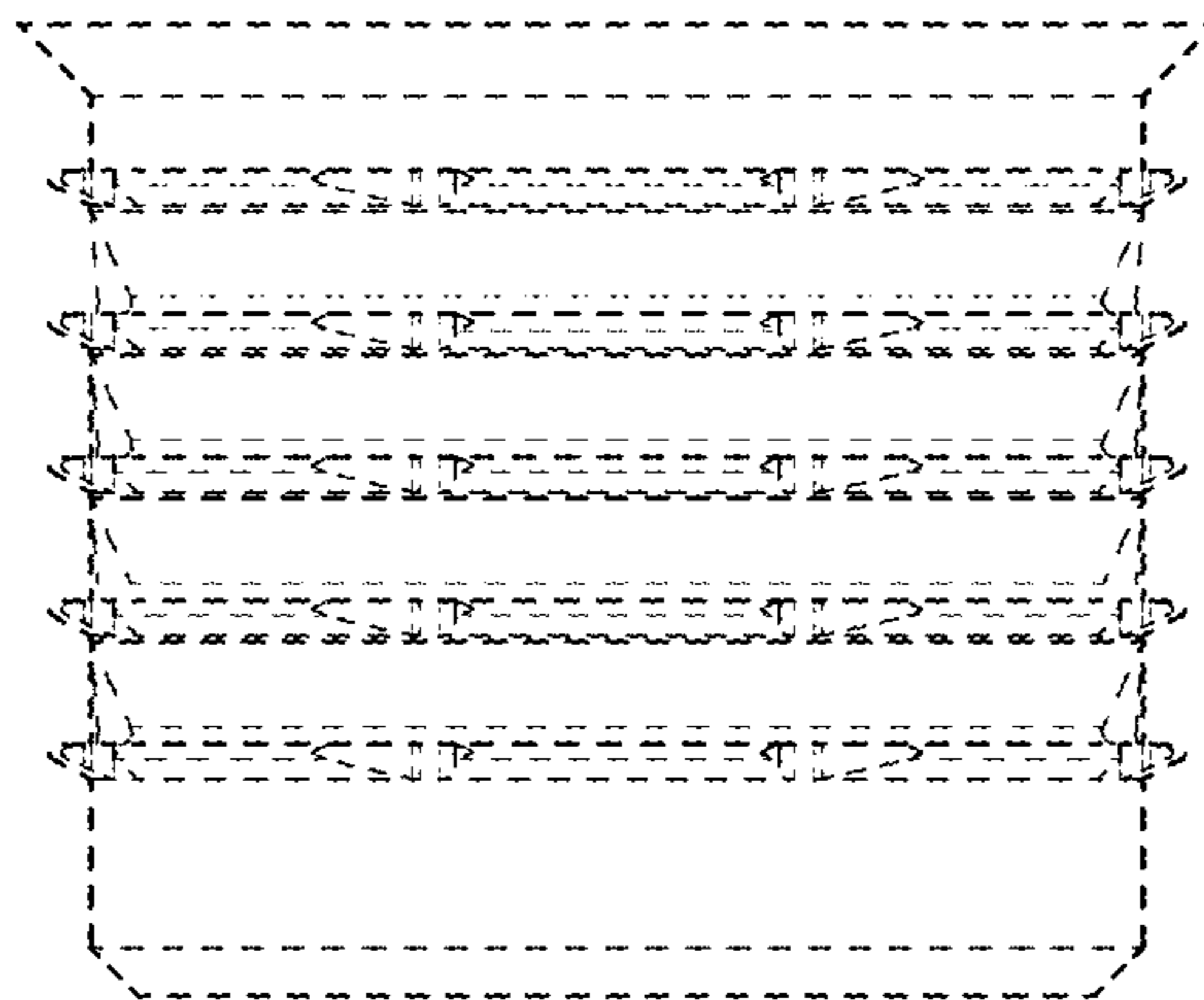


FIG. 4

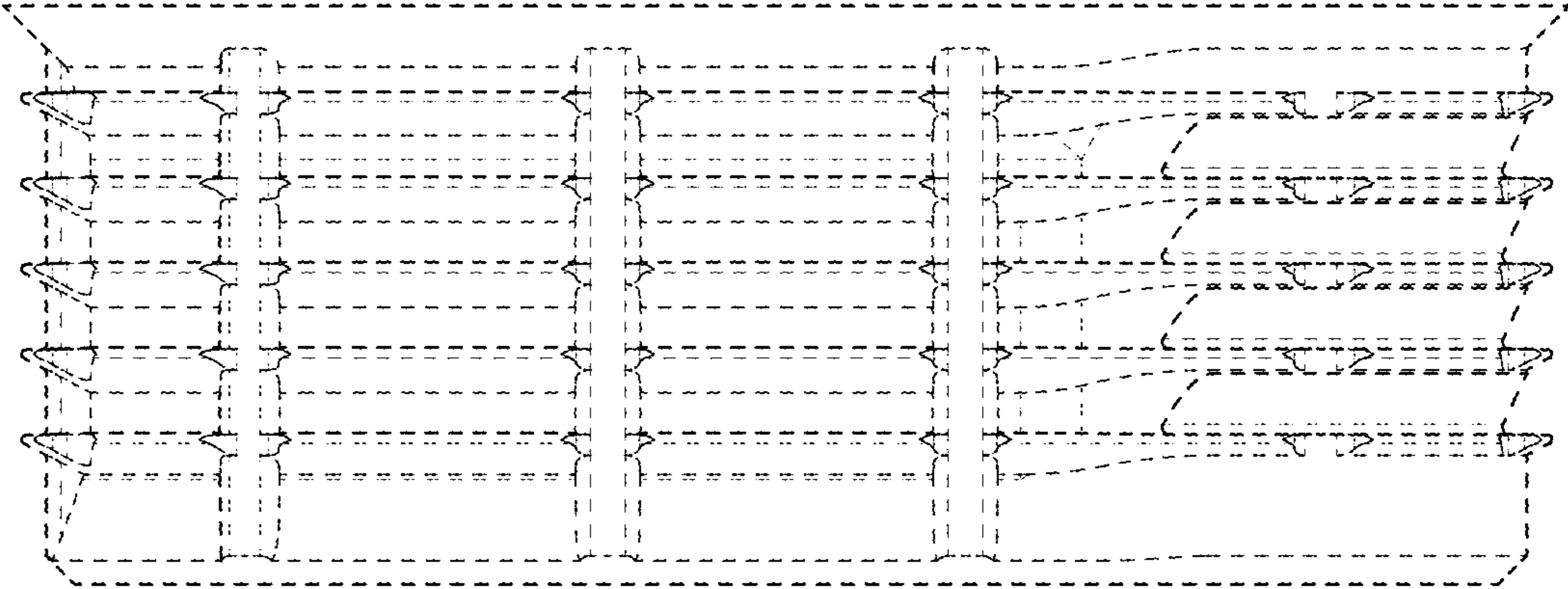


FIG. 5

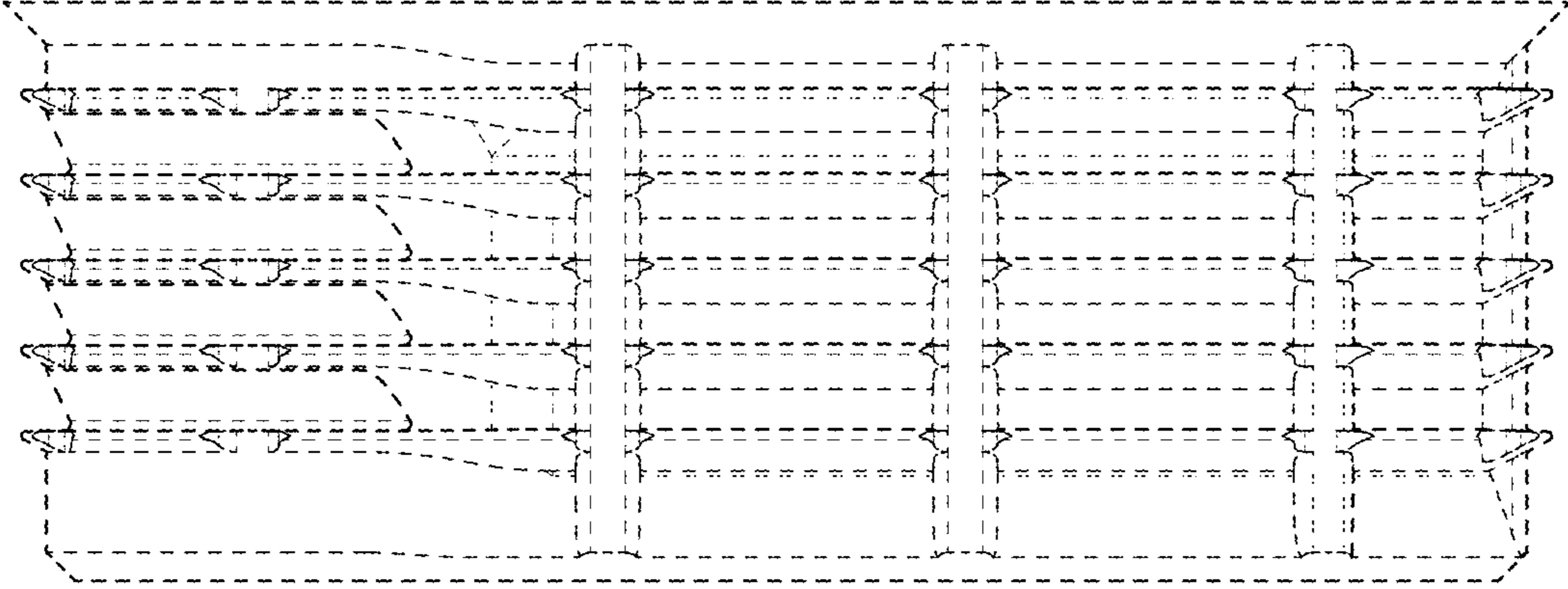


FIG. 6

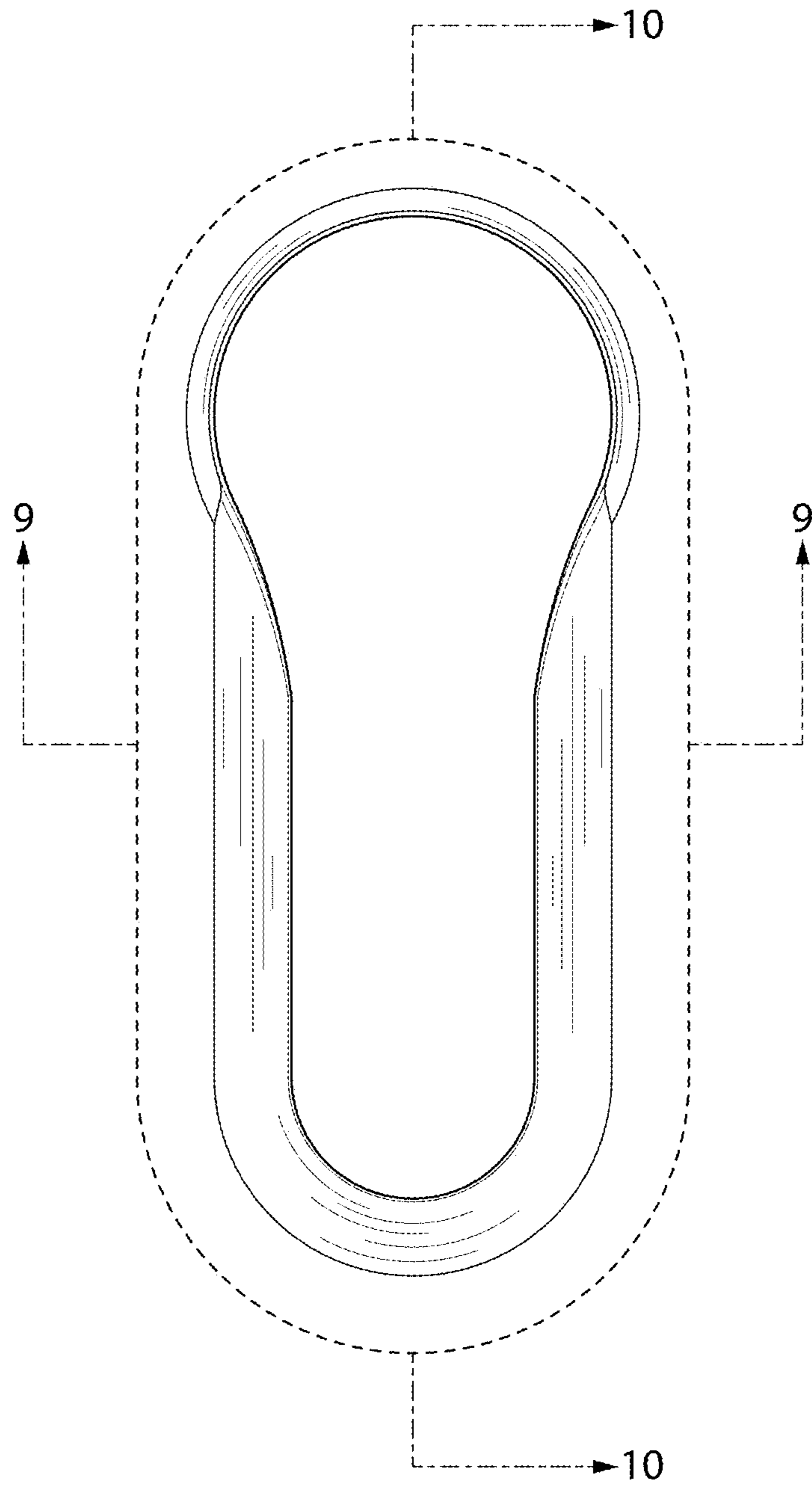


FIG. 7

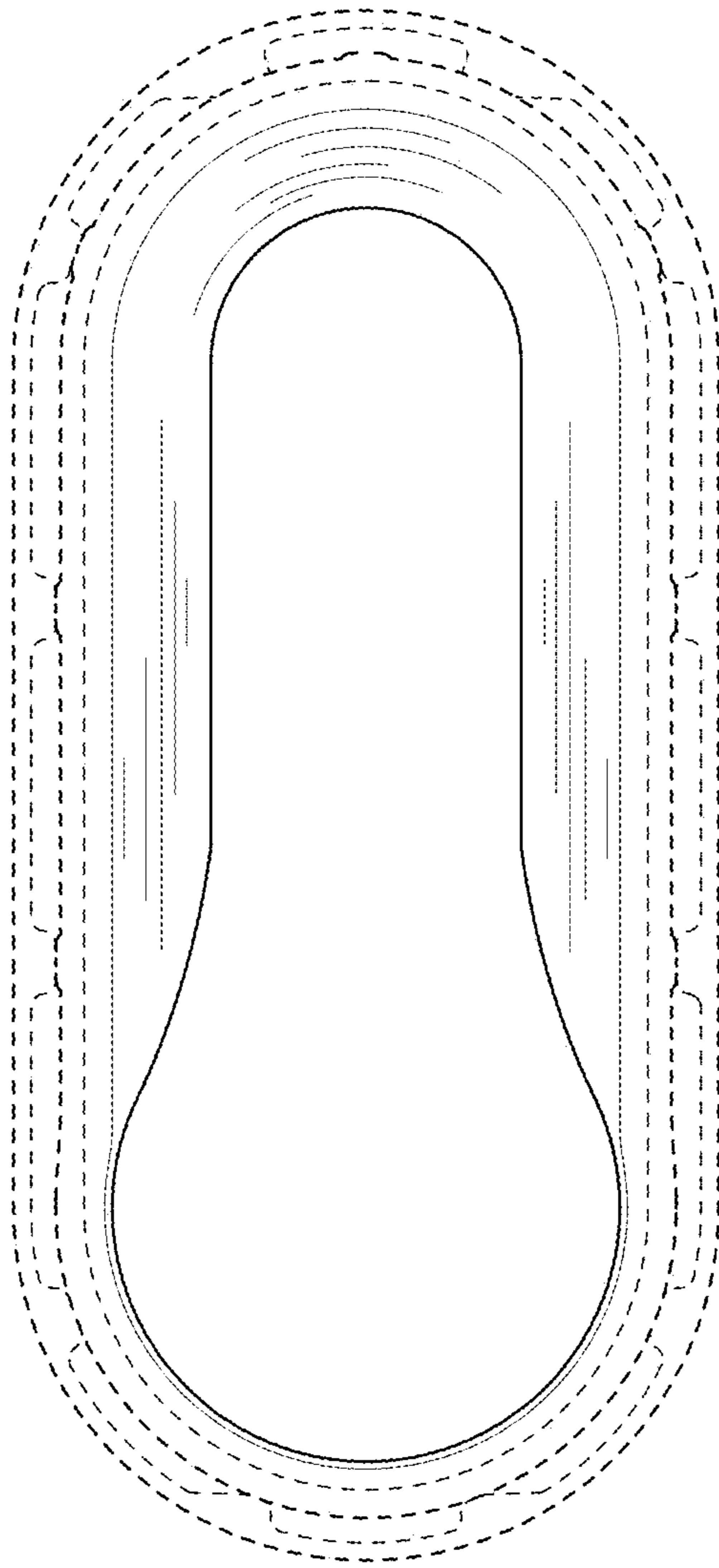


FIG. 8

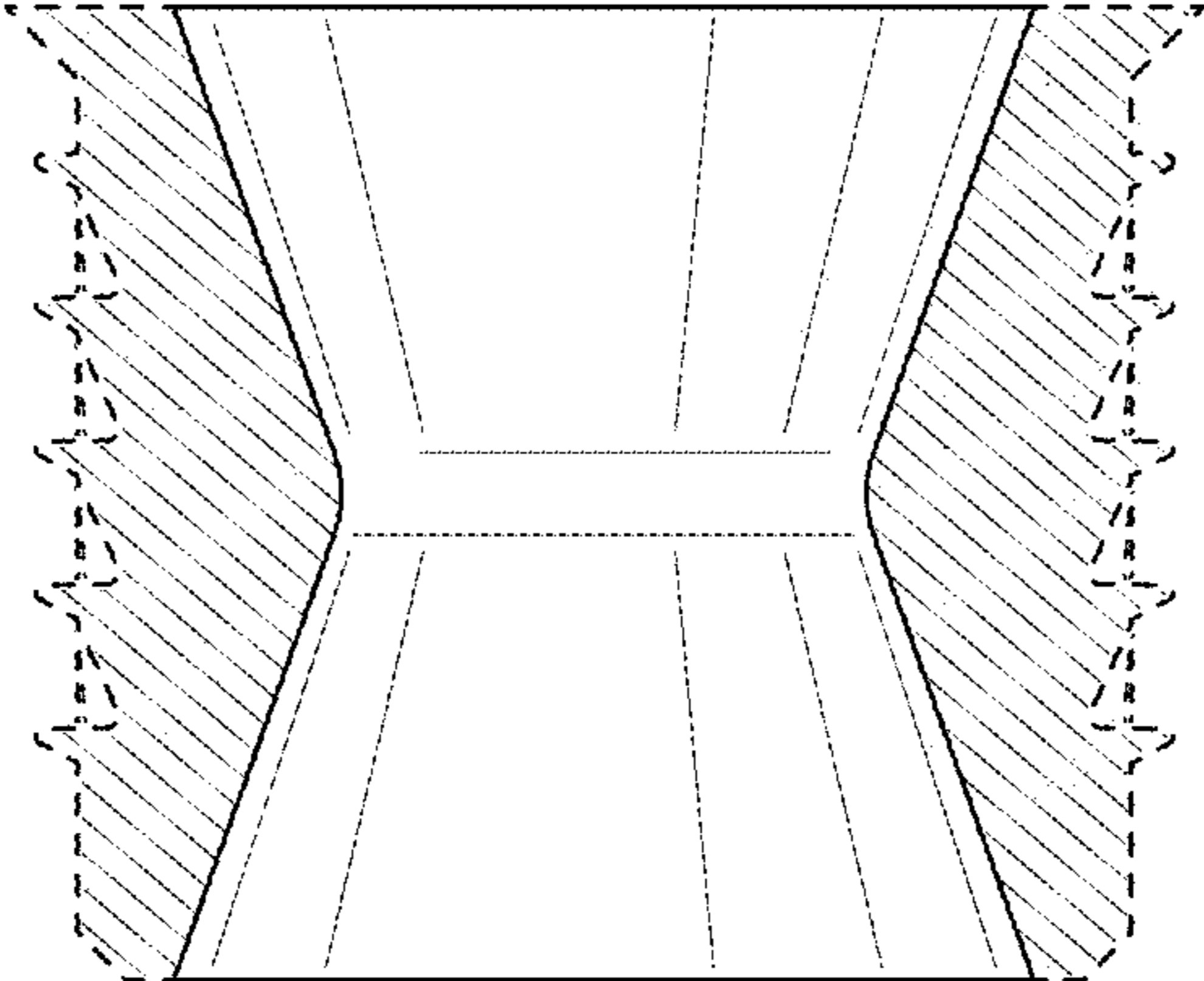


FIG. 9

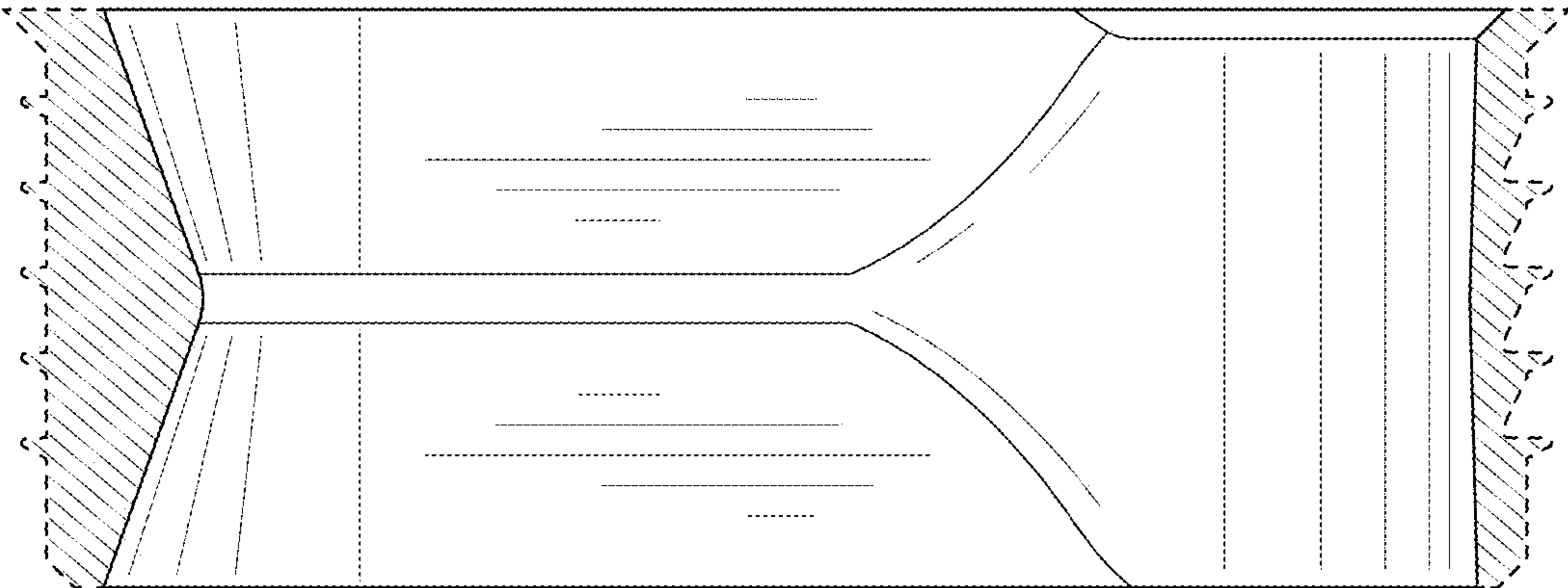


FIG. 10