



US00D904167S

(12) **United States Design Patent** (10) **Patent No.:** **US D904,167 S**
Wu (45) **Date of Patent:** **** Dec. 8, 2020**

(54) **DRAWER LOCK**

(71) Applicant: **Dongguanshi Niwota Plastic Co., Ltd.**,
Dongguan (CN)

(72) Inventor: **Junhua Wu**, Guiping (CN)

(73) Assignee: **Dongguanshi Niwota Plastic Co., Ltd.**,
Dongguan (CN)

(**) Term: **15 Years**

(21) Appl. No.: **29/702,057**

(22) Filed: **Aug. 16, 2019**

(51) **LOC (12) Cl.** **08-07**

(52) **U.S. Cl.**
USPC **D8/342**

(58) **Field of Classification Search**
USPC D8/342, 330, 331, 339
CPC E05B 65/0014; E05B 65/0025; E05B
65/0028; E05B 65/0085; E05B 65/44;
E05B 65/46; E05B 65/461; E05B 65/462;
E05B 65/463; E05B 65/464; E05B
65/469; E05B 13/00; A47F 3/00; A47F
3/005; A47F 3/007; A47F 7/024
See application file for complete search history.

(56) **References Cited**

U.S. PATENT DOCUMENTS

D380,369 S * 7/1997 Antonucci D8/342
D503,328 S * 3/2005 Catlett D8/342

9,133,651 B2 * 9/2015 Trinh E05C 19/188
9,353,553 B2 * 5/2016 Funayama B65H 7/06
9,382,730 B1 * 7/2016 Chen E05B 65/462
9,388,609 B2 * 7/2016 Grela A47B 95/02
9,422,750 B2 * 8/2016 Gutierrez E05B 65/46
9,445,671 B2 * 9/2016 Ng E05C 3/165
D775,509 S * 1/2017 Marsden D8/331
9,725,924 B2 * 8/2017 Hashemi E05C 3/24
9,777,513 B2 * 10/2017 Muller A47B 88/46
9,863,167 B1 * 1/2018 Garrett E05B 65/46
10,136,740 B2 * 11/2018 Goppion A47F 3/005

* cited by examiner

Primary Examiner — Doris Clark

(74) *Attorney, Agent, or Firm* — ScienBiziP, P.C.

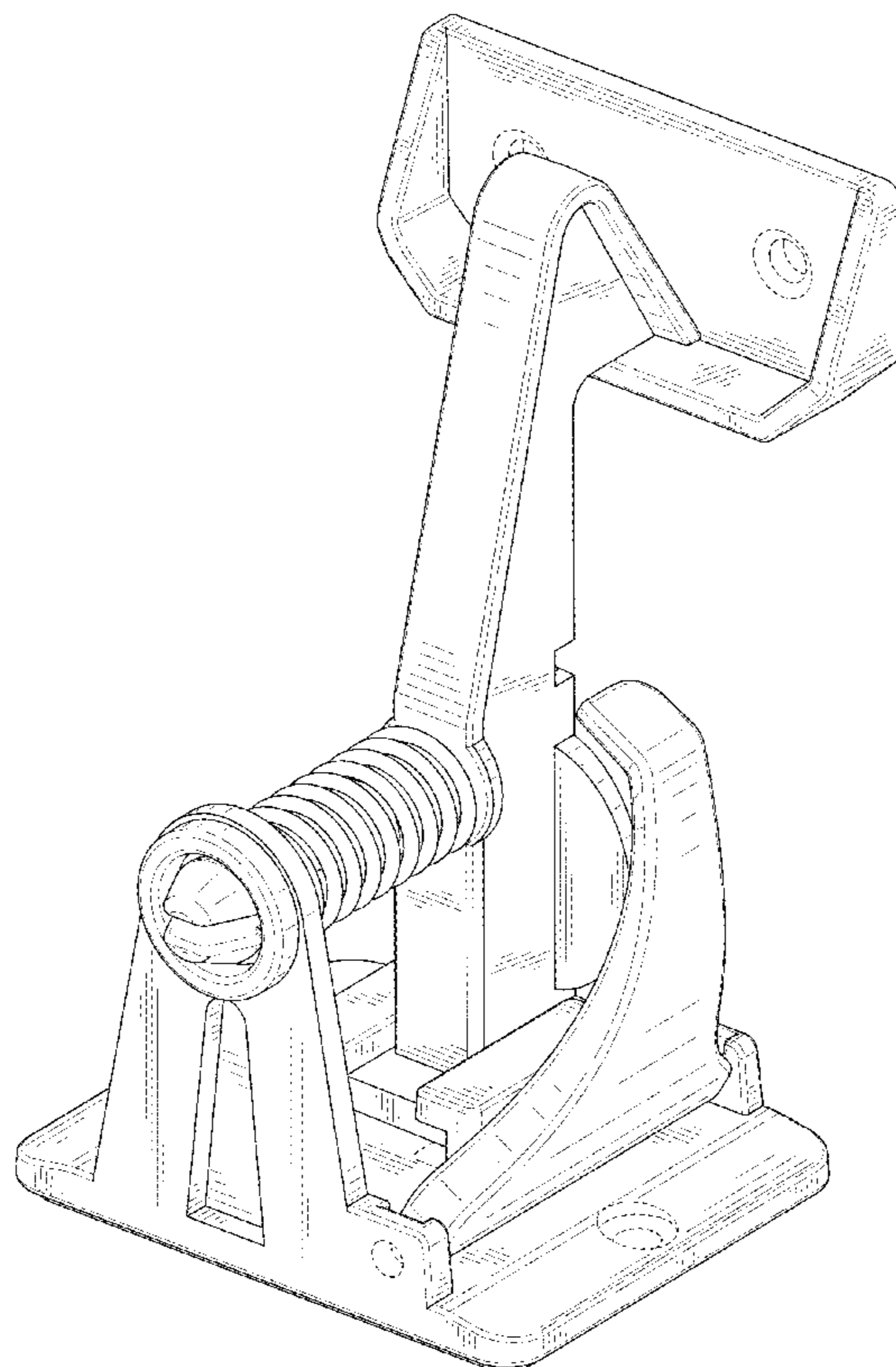
(57) **CLAIM**

The ornamental design for a drawer lock, as shown and described.

DESCRIPTION

FIG. 1 is a first perspective view of a drawer lock, showing my design.
FIG. 2 is a second perspective view thereof.
FIG. 3 is a front elevation view thereof.
FIG. 4 is a rear elevation view thereof.
FIG. 5 is a left side elevation view thereof.
FIG. 6 is a right side elevation view thereof.
FIG. 7 is a top plan view thereof; and,
FIG. 8 is a bottom plan view thereof.
The details shown in broken lines form no part of the claimed design.

1 Claim, 8 Drawing Sheets



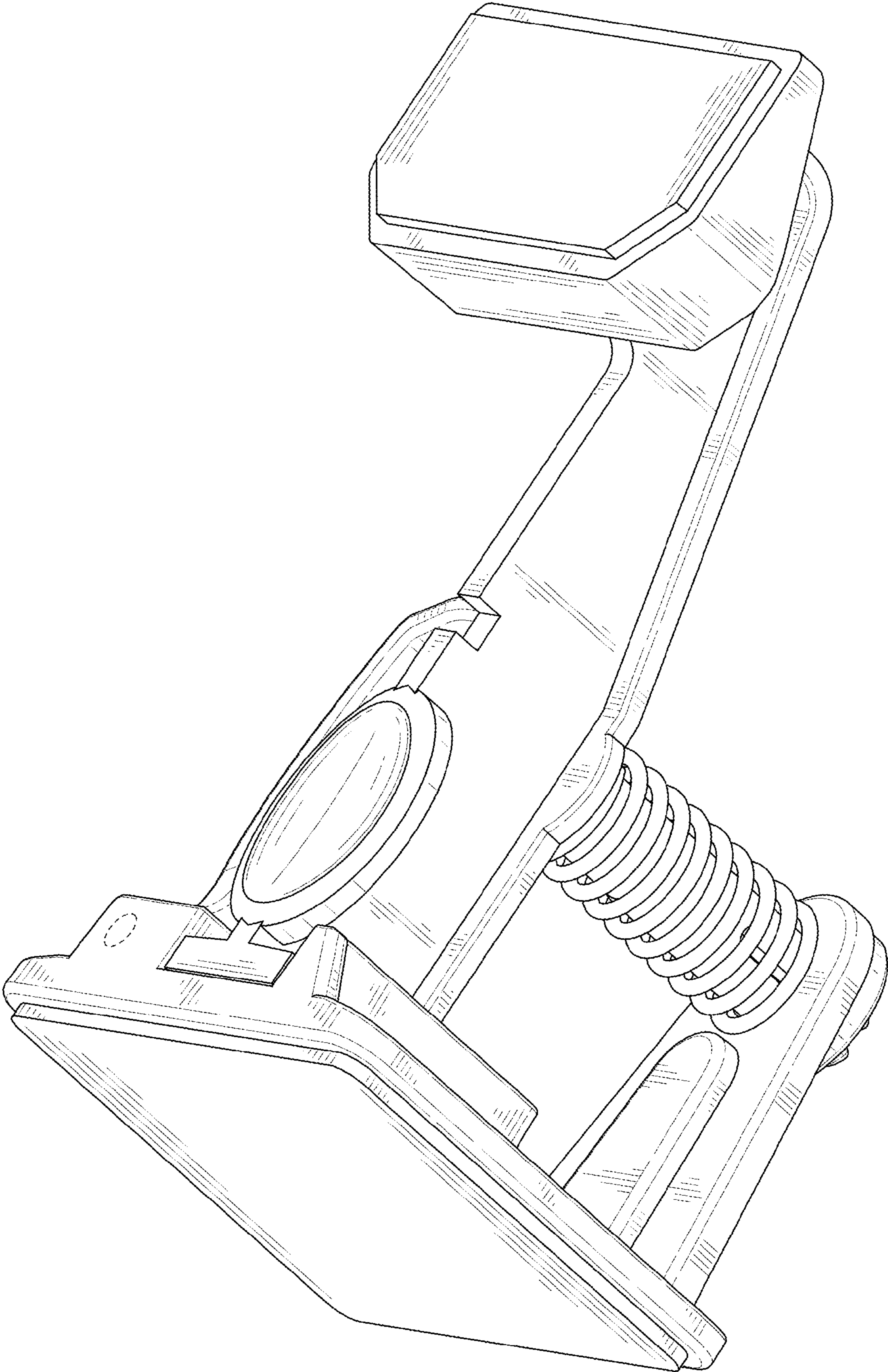


FIG. 1

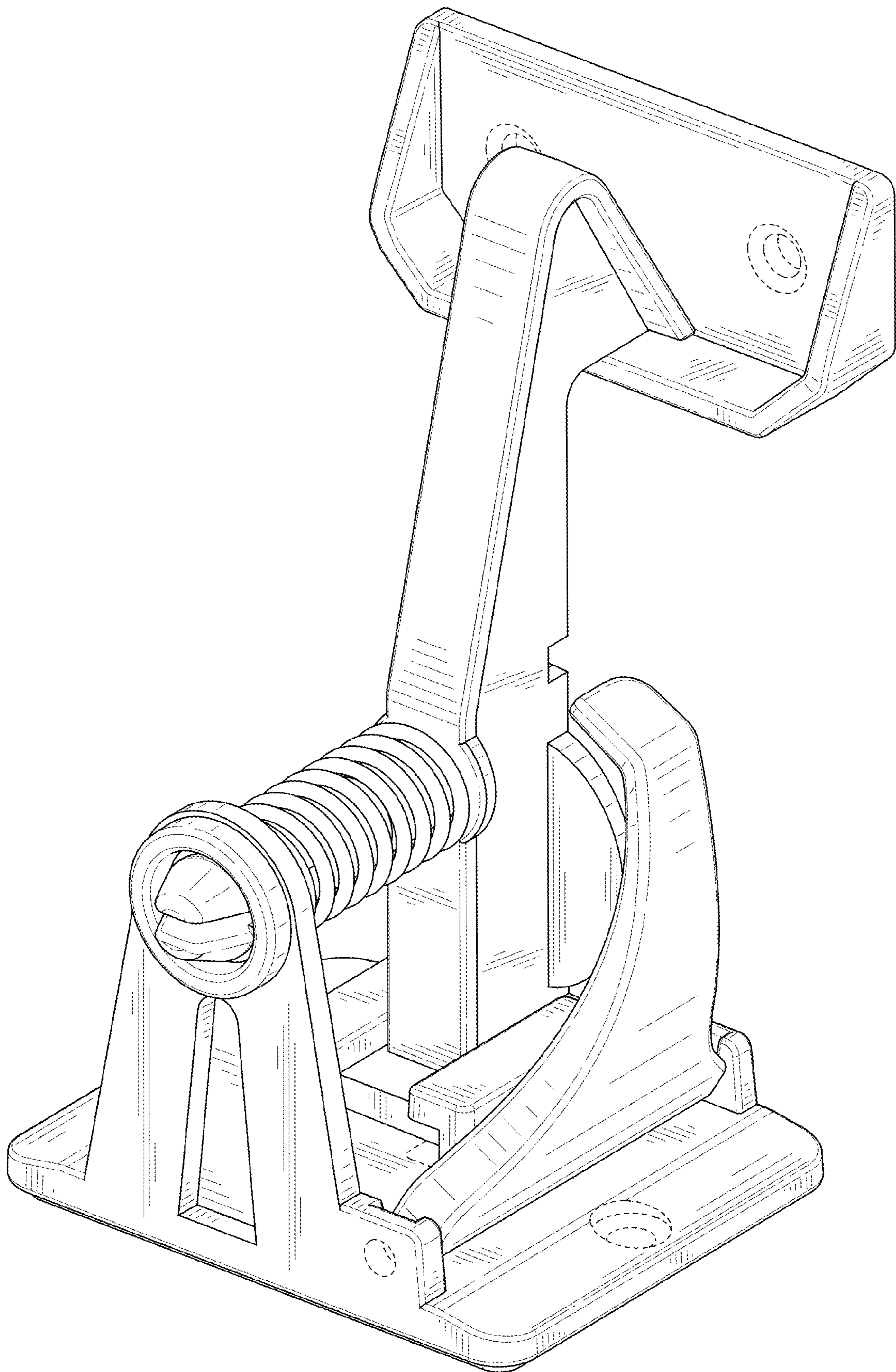


FIG. 2

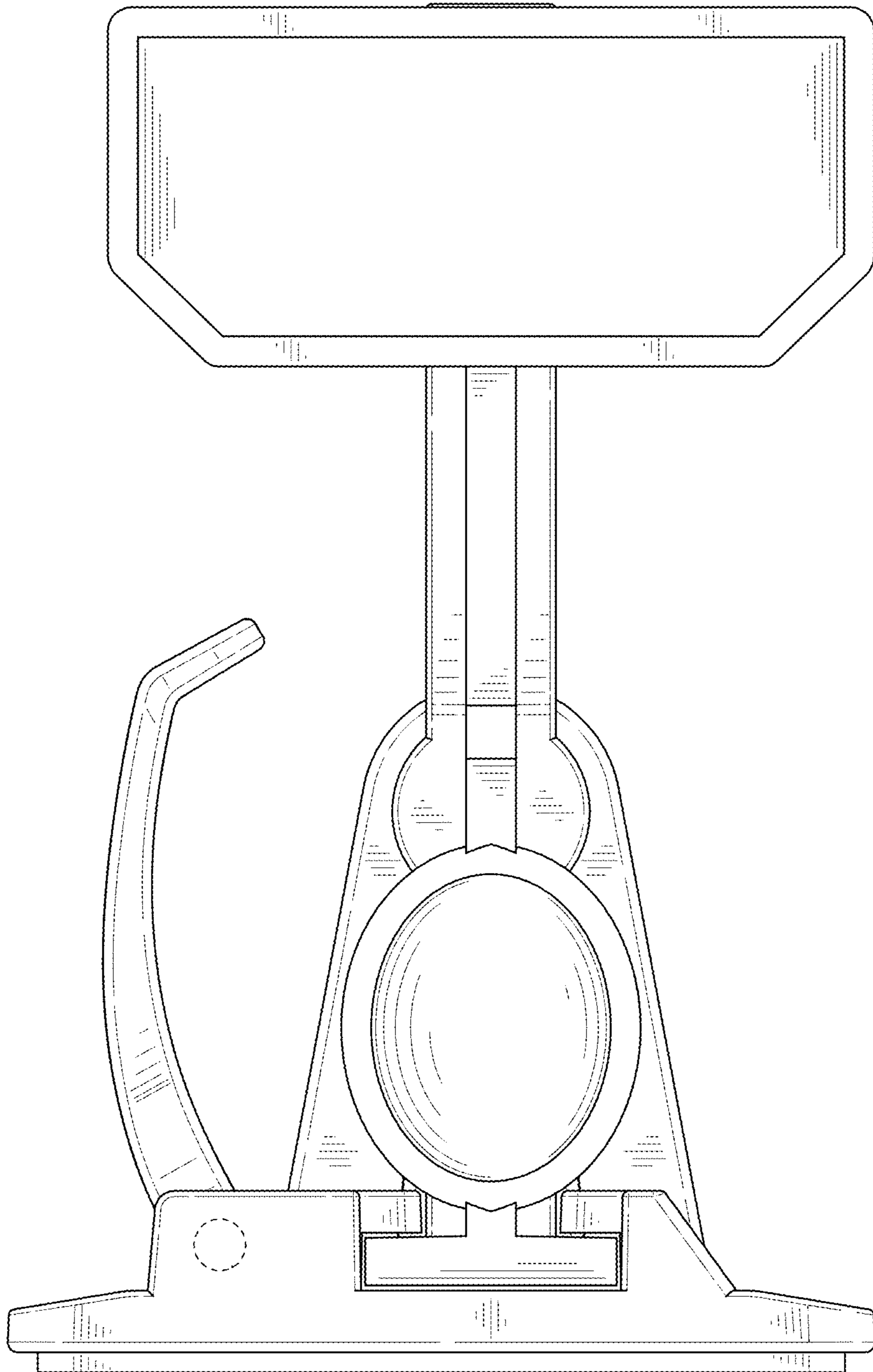


FIG. 3

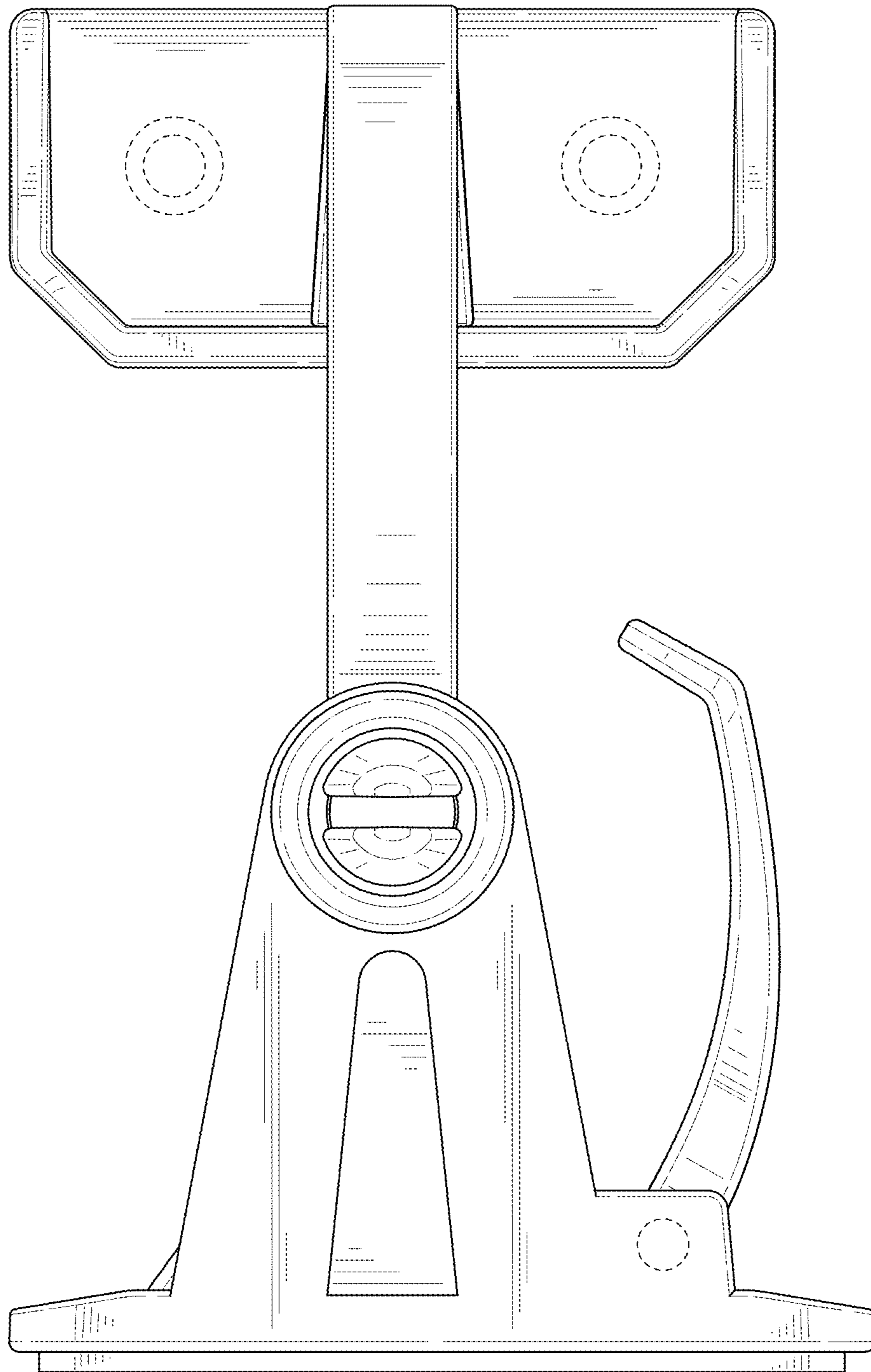


FIG. 4

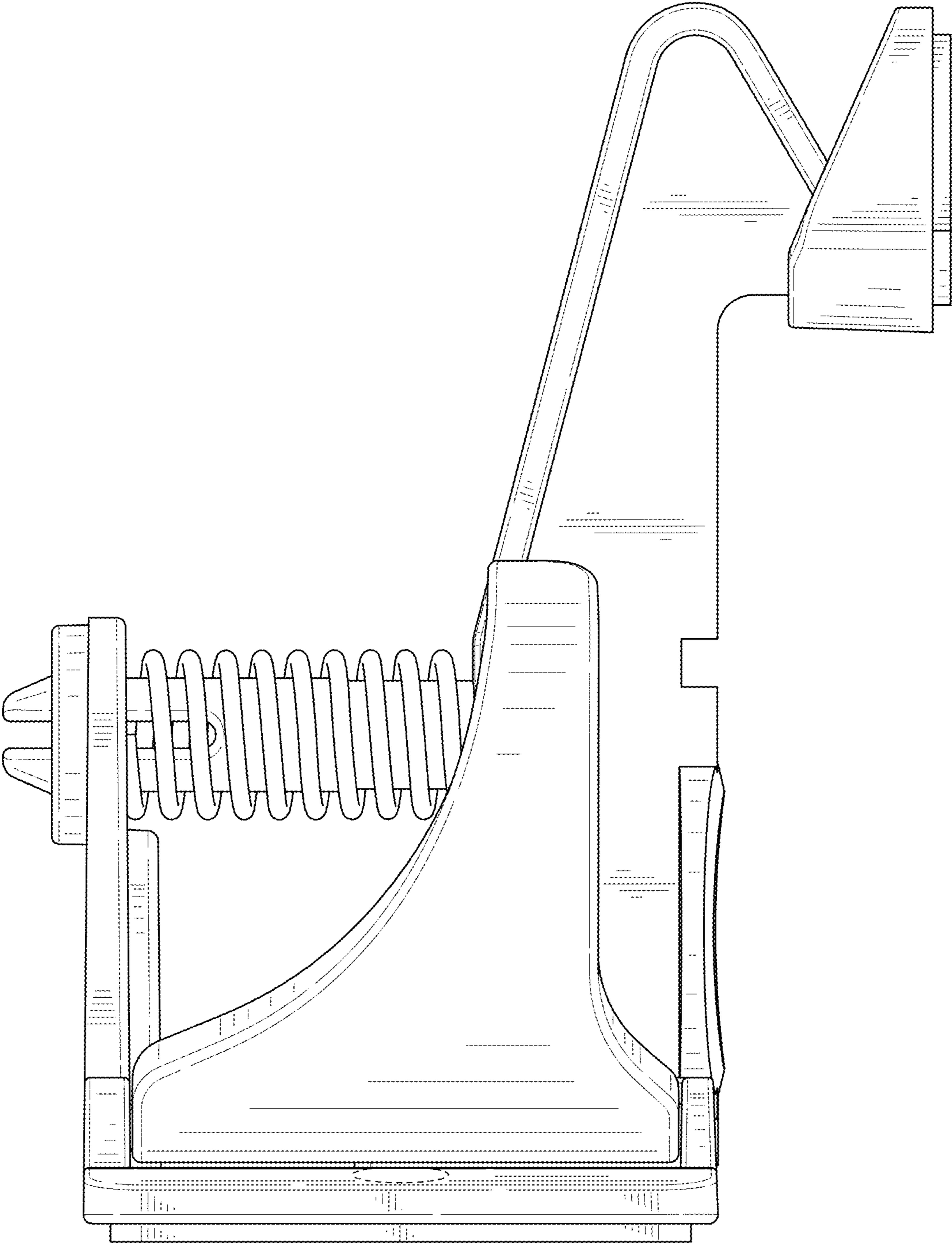


FIG. 5

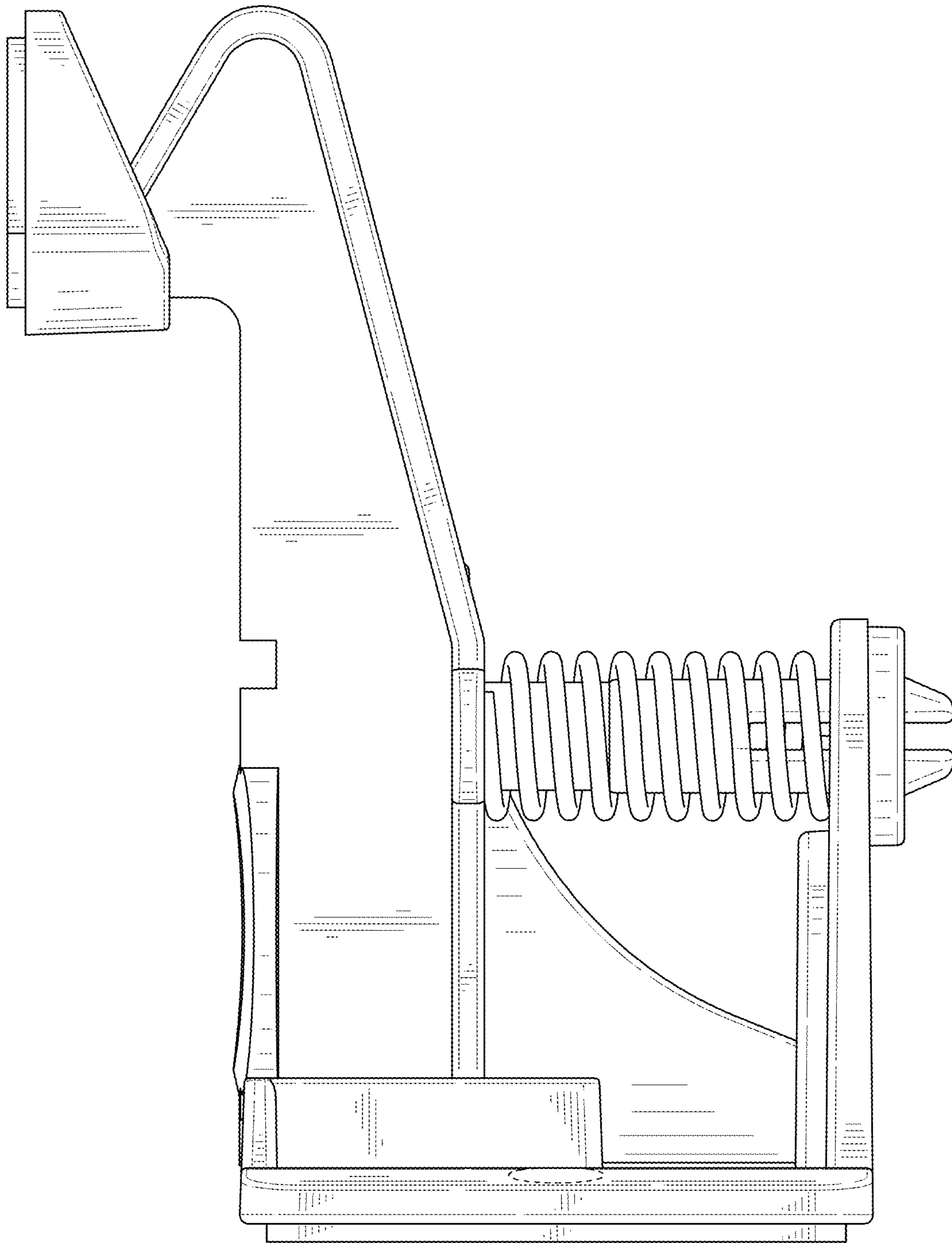


FIG. 6

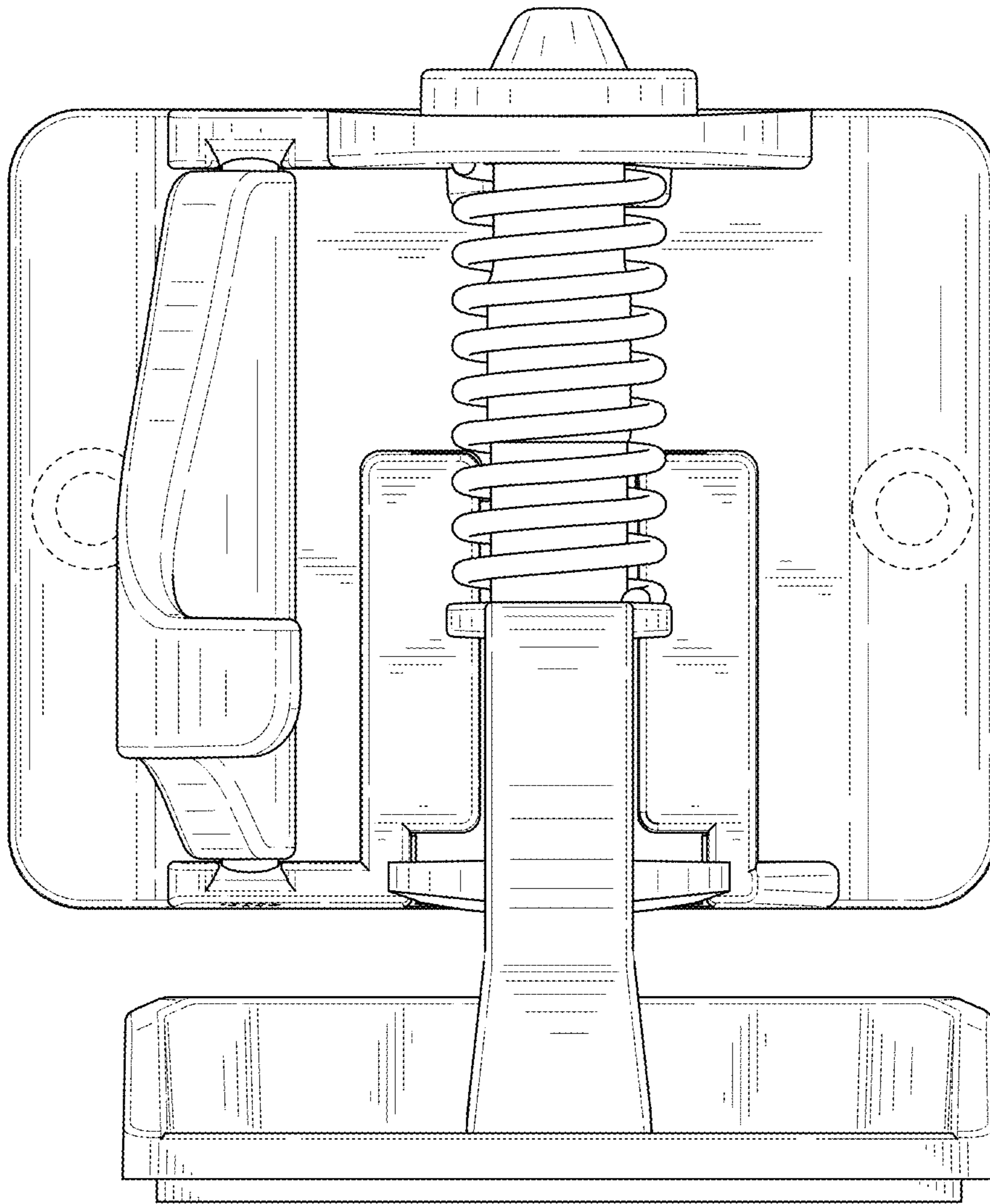


FIG. 7

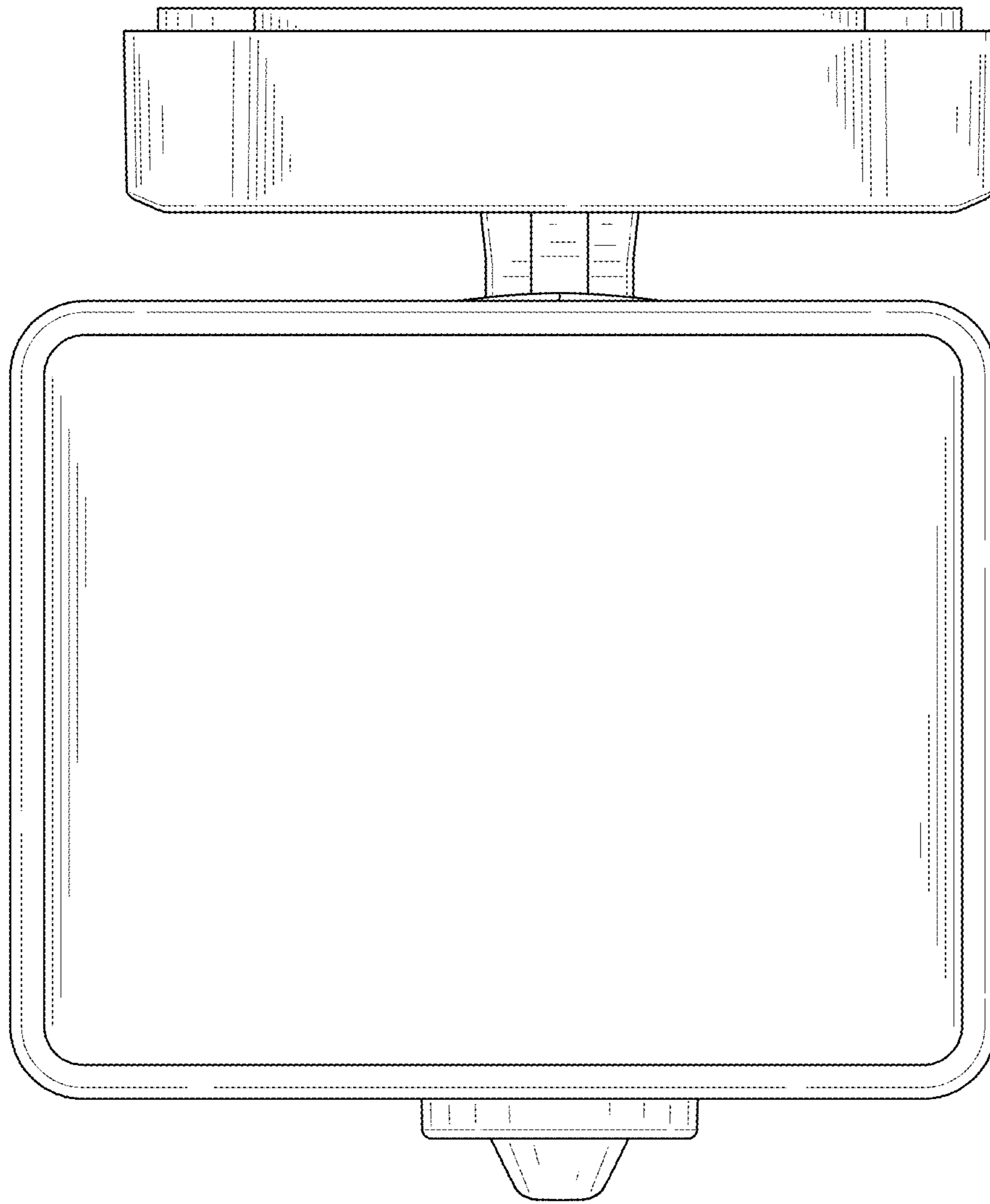


FIG. 8