



US00D904159S

(12) **United States Design Patent**  
**Bennett**

(10) **Patent No.:** **US D904,159 S**

(45) **Date of Patent:** **\*\* \*Dec. 8, 2020**

(54) **BOTTLE CAP SHAPED DOOR PULL**

(71) Applicant: **Triangle Brass Manufacturing Company, Inc.**, Los Angeles, CA (US)

(72) Inventor: **Jason Bennett**, Carlsbad, CA (US)

(\*) Notice: This patent is subject to a terminal disclaimer.

(\*\*) Term: **15 Years**

(21) Appl. No.: **29/581,864**

(22) Filed: **Oct. 23, 2016**

(51) **LOC (12) Cl.** ..... **08-06**

(52) **U.S. Cl.**  
USPC ..... **D8/312; D8/305**

(58) **Field of Classification Search**  
USPC ..... D8/300, 307, 310, 311, 312, 305;  
D7/393; D23/250, 252, 254  
CPC ... Y10T 292/57; Y10T 16/469; Y10T 292/82;  
Y10T 74/2084; Y10T 292/85; Y10T  
16/458; Y10T 16/506; Y10T 70/5155;  
Y10T 16/46; Y10T 16/4559; Y10T  
74/20828; Y10T 70/8541; Y10T  
74/20612; Y10T 16/459; Y10T 16/487;  
Y10T 70/5389; Y10T 16/462; Y10T  
16/4636; E05B 1/0007; E05B 3/00; Y10S  
16/30; Y10S 292/53; Y10S 292/27  
See application file for complete search history.

(56) **References Cited**

U.S. PATENT DOCUMENTS

D179,346 S \* 12/1956 Holland ..... D8/312  
D180,119 S \* 4/1957 Truex ..... D8/312

D214,310 S \* 6/1969 Wasnewsky ..... D8/306  
3,561,287 A \* 2/1971 Lawrence, Jr. .... G05G 1/08  
74/553  
4,079,636 A \* 3/1978 Altenschulte ..... F16H 53/00  
200/19.15  
D256,549 S \* 8/1980 Maurin ..... D8/312  
D262,740 S \* 1/1982 Wahl ..... D24/147  
D284,263 S \* 6/1986 Resan ..... D23/260  
D324,630 S \* 3/1992 Moeller ..... D8/14  
D387,734 S \* 12/1997 Hawkins, Jr. .... D13/158  
D390,197 S \* 2/1998 Thomas ..... D13/174  
D451,361 S \* 12/2001 Yang ..... D8/307  
D556,007 S \* 11/2007 Hung ..... D8/107  
D594,113 S \* 6/2009 Reid ..... D24/110.1  
D664,835 S \* 8/2012 Wu ..... D8/367

\* cited by examiner

*Primary Examiner* — Lauren R Calve

(74) *Attorney, Agent, or Firm* — The Iwashko Law Firm, PLLC; Lev Ivan Gabriel Iwashko

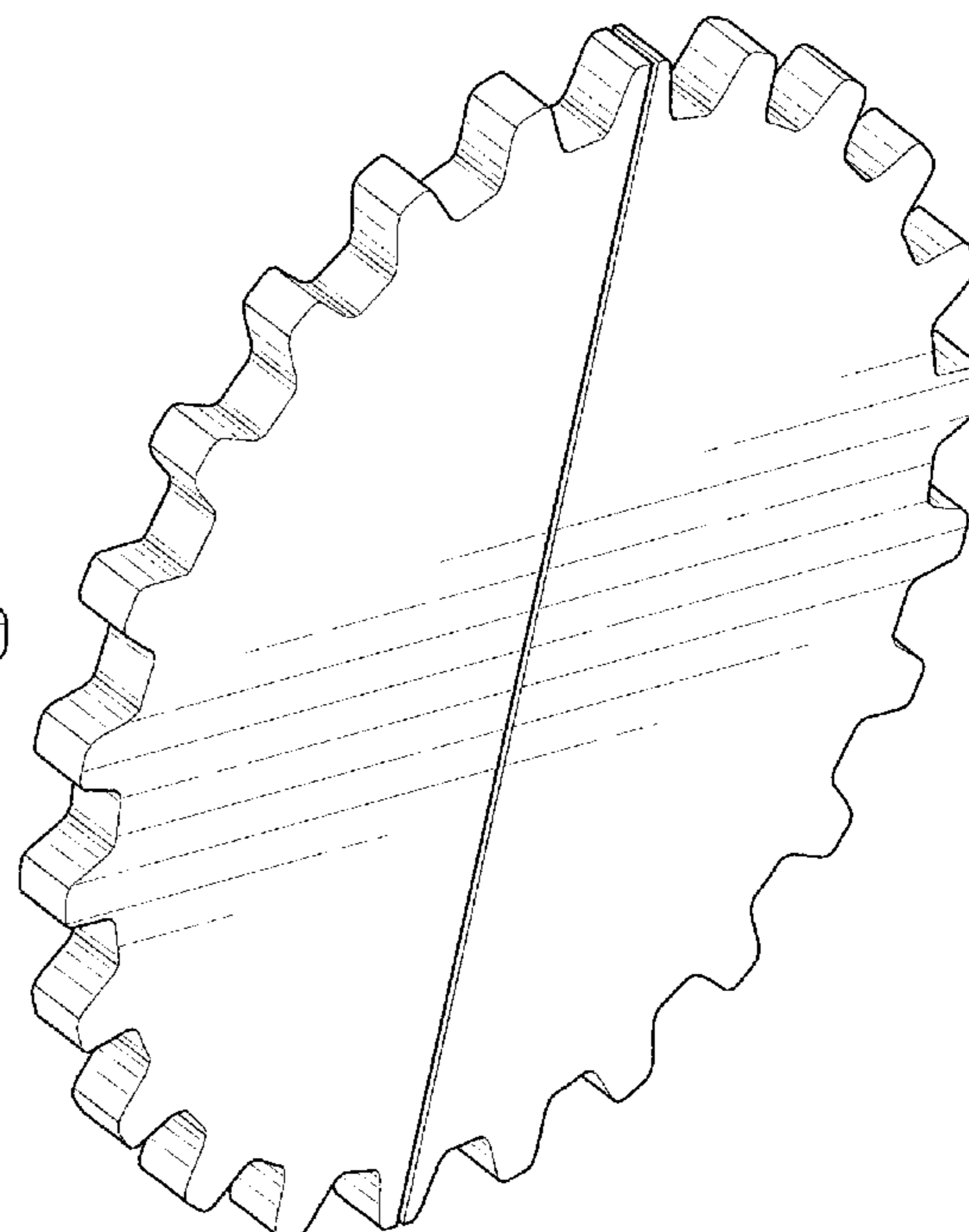
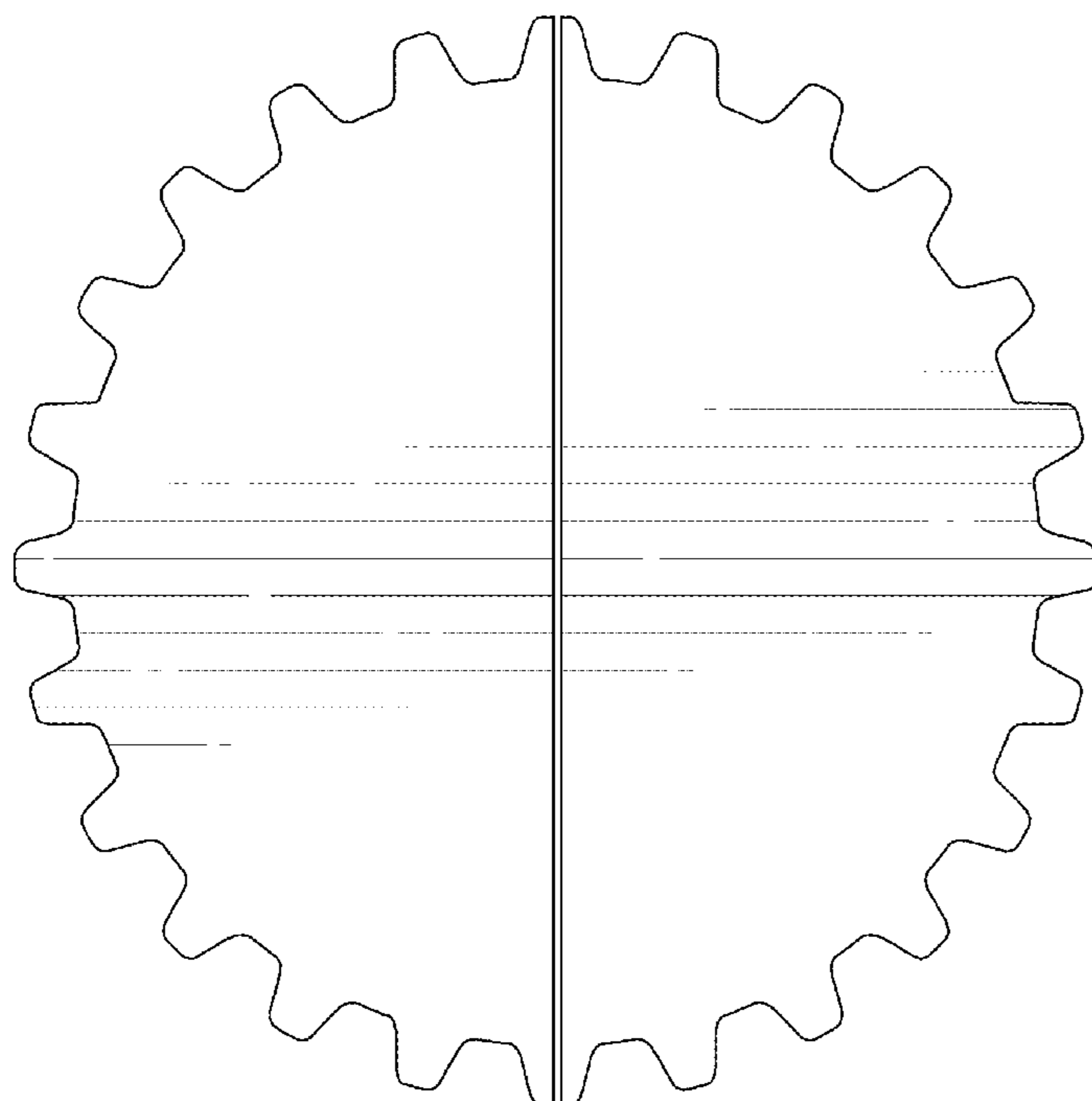
(57) **CLAIM**

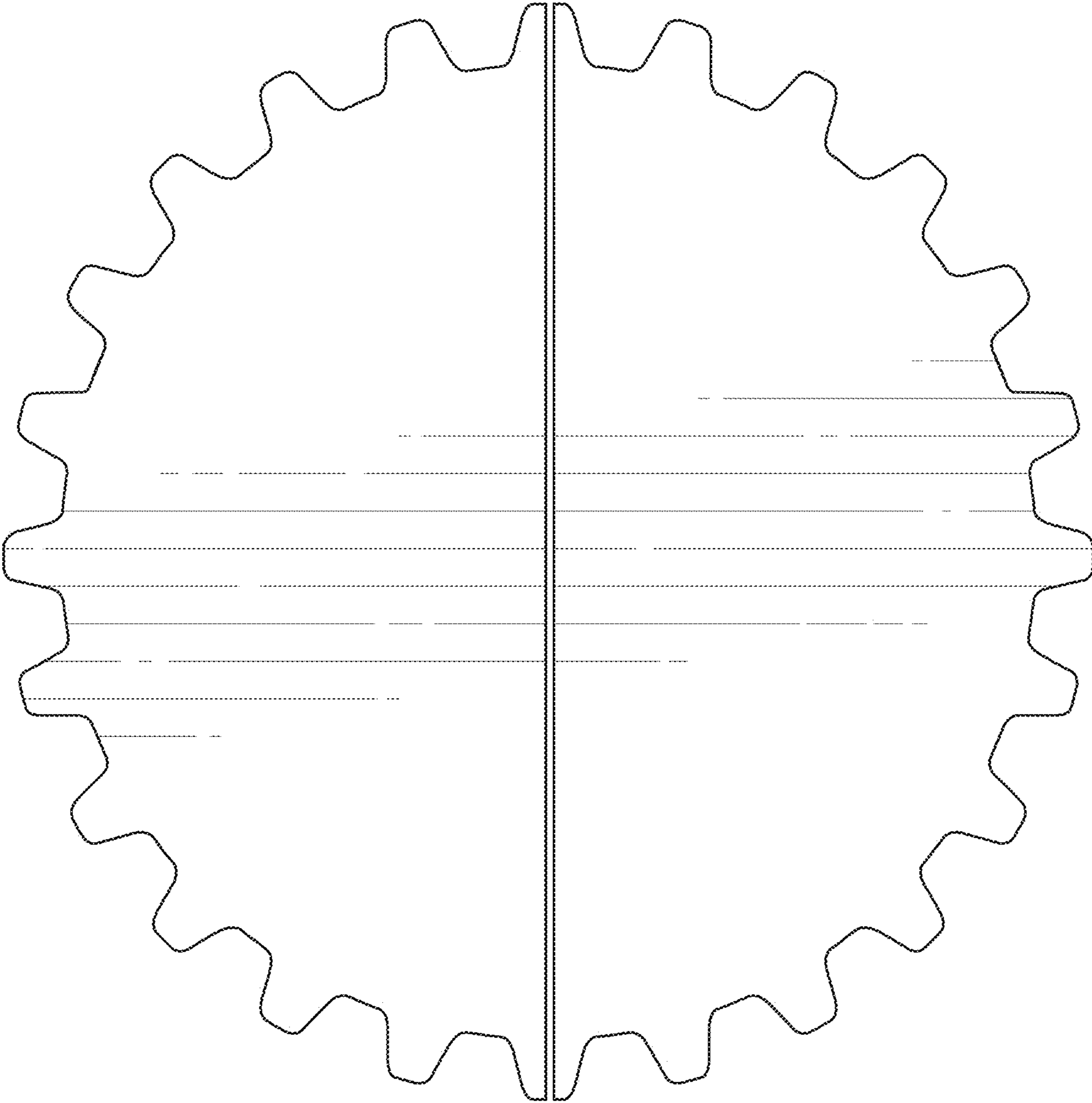
The ornamental design for a bottle cap shaped door pull, as shown and described.

**DESCRIPTION**

FIG. 1 is a front view of a bottle cap shaped door pull;  
FIG. 2 is an angled perspective view thereof;  
FIG. 3 is a side view thereof;  
FIG. 4 is an angled perspective view of the left side of the bottle cap shaped door pull, the right side removed for clarity of illustration; and,  
FIG. 5 is an angled perspective view of the right side of the bottle cap shaped door pull, the left side removed for clarity of illustration.

**1 Claim, 5 Drawing Sheets**





**FIG. 1**

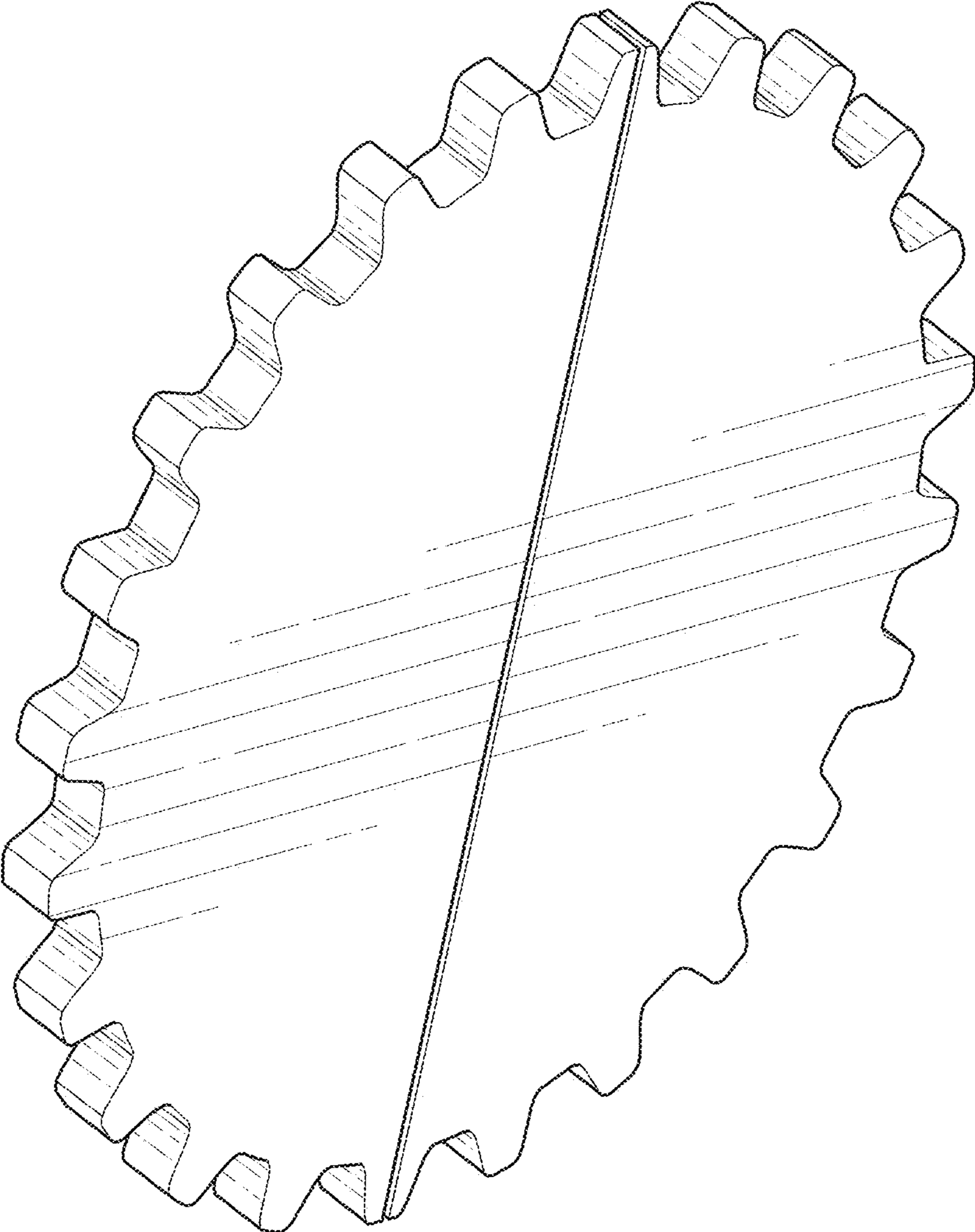


FIG. 2



**FIG. 3**

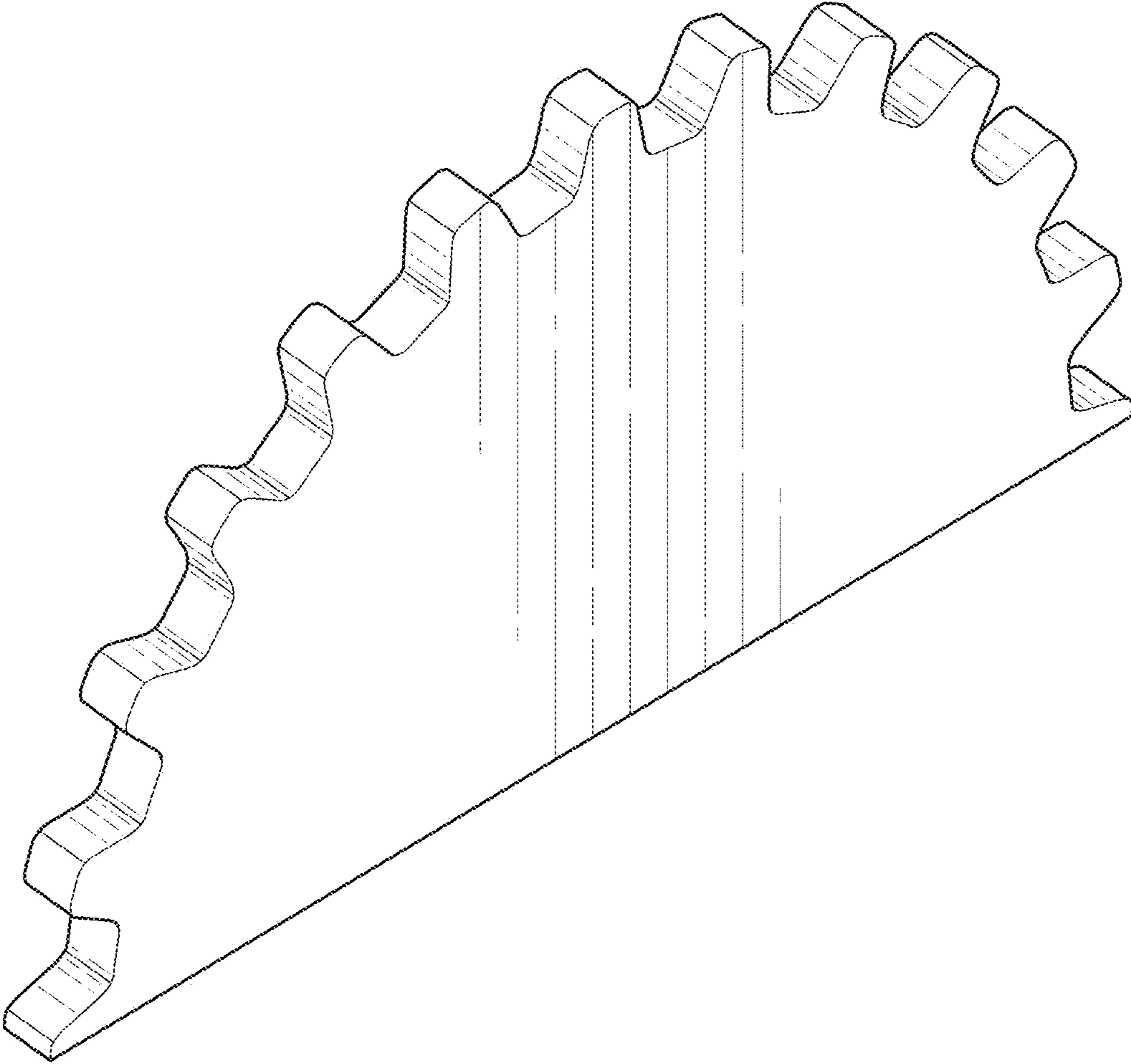


FIG. 4

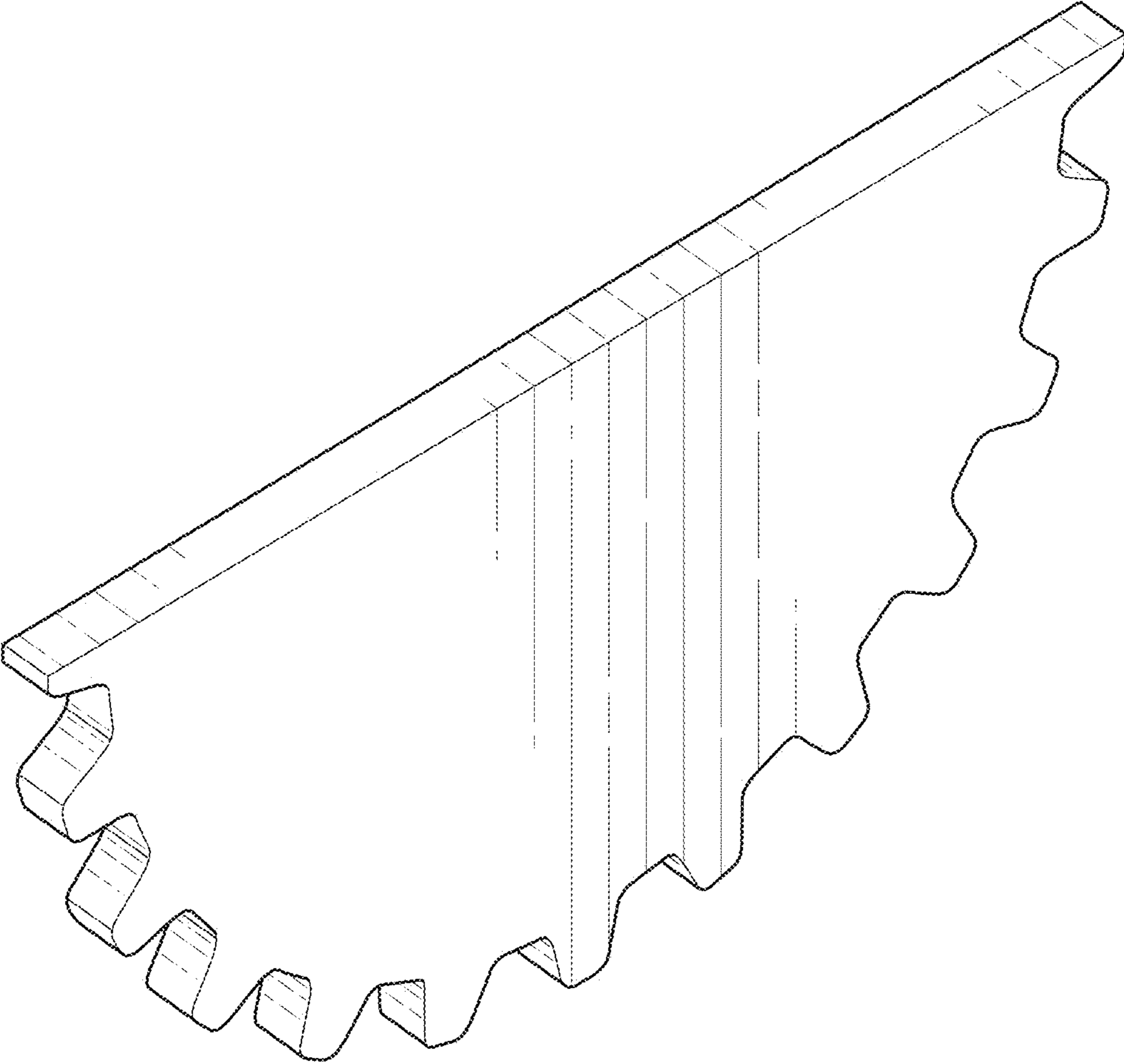


FIG. 5