

US00D904158S

(12) **United States Design Patent** (10) **Patent No.:** **US D904,158 S**
Yungbluth (45) **Date of Patent:** **** Dec. 8, 2020**

(54) KNOB	D152,928 S 3/1949 Stuman
(71) Applicant: Middleby Marshall Inc. , Elgin, IL (US)	2,537,782 A * 1/1951 Meyers G05G 1/12 116/309
(72) Inventor: Christian Matthew Yungbluth , Fuquay-Varina, NC (US)	D166,874 S 5/1952 Reed
(73) Assignee: Middleby Marshall Inc. , Elgin, IL (US)	D181,800 S 12/1957 Lipton
(**) Term: 15 Years	2,957,447 A * 10/1960 Pearce G05G 1/10 116/332
(21) Appl. No.: 29/745,845	3,188,124 A * 6/1965 Pestka G05G 1/12 403/383
(22) Filed: Aug. 10, 2020	D209,143 S 11/1967 Hampel et al.
	D262,619 S * 1/1982 Antos D23/354
	D450,997 S 11/2001 Brady
	6,627,828 B1 9/2003 McCartney
	D484,466 S * 12/2003 Ventress D13/162
	(Continued)

OTHER PUBLICATIONS

Southbend, "The Ultimate Heavy Duty Restaurant Range" flyer, Dec. 2015, 1 page.

(Continued)

Primary Examiner — Lauren R Calve

(74) *Attorney, Agent, or Firm* — Brinks Gilson & Lione

Related U.S. Application Data

(63) Continuation of application No. 29/693,486, filed on Jun. 3, 2019, now Pat. No. Des. 893,980.

(51) **LOC (12) Cl.** **08-06**

(52) **U.S. Cl.**
USPC **D8/311; D8/321**

(58) **Field of Classification Search**
USPC D8/107, 300, 301, 307, 310, 311, 312, D8/321; D10/102; D23/250, 421; D7/393, 394, 396, 543, 545, 547, 548
CPC ... Y10T 292/57; Y10T 292/82; Y10T 16/469; Y10T 16/44; Y10T 16/476; Y10T 74/2084; Y10T 292/85; Y10T 74/2087; Y10T 16/4713; Y10T 16/506; Y10T 74/20876; Y10T 74/20612; Y10T 70/5765; Y10T 16/459; Y10T 74/2066; Y10T 16/487; Y10T 74/20822
See application file for complete search history.

(57) **CLAIM**

I claim the ornamental design for a knob, as shown and described.

DESCRIPTION

FIG. 1 is a top perspective view of a knob;
 FIG. 2 is a top plan view thereof;
 FIG. 3 is a right side elevation view thereof;
 FIG. 4 is a left side elevation view thereof;
 FIG. 5 is a front elevation view thereof; and,
 FIG. 6 is a rear elevation view thereof.

The broken lines are for the purpose of illustrating boundaries that form no part of the claimed design. No bottom view is shown, and any bottom view forms no part of the claimed design.

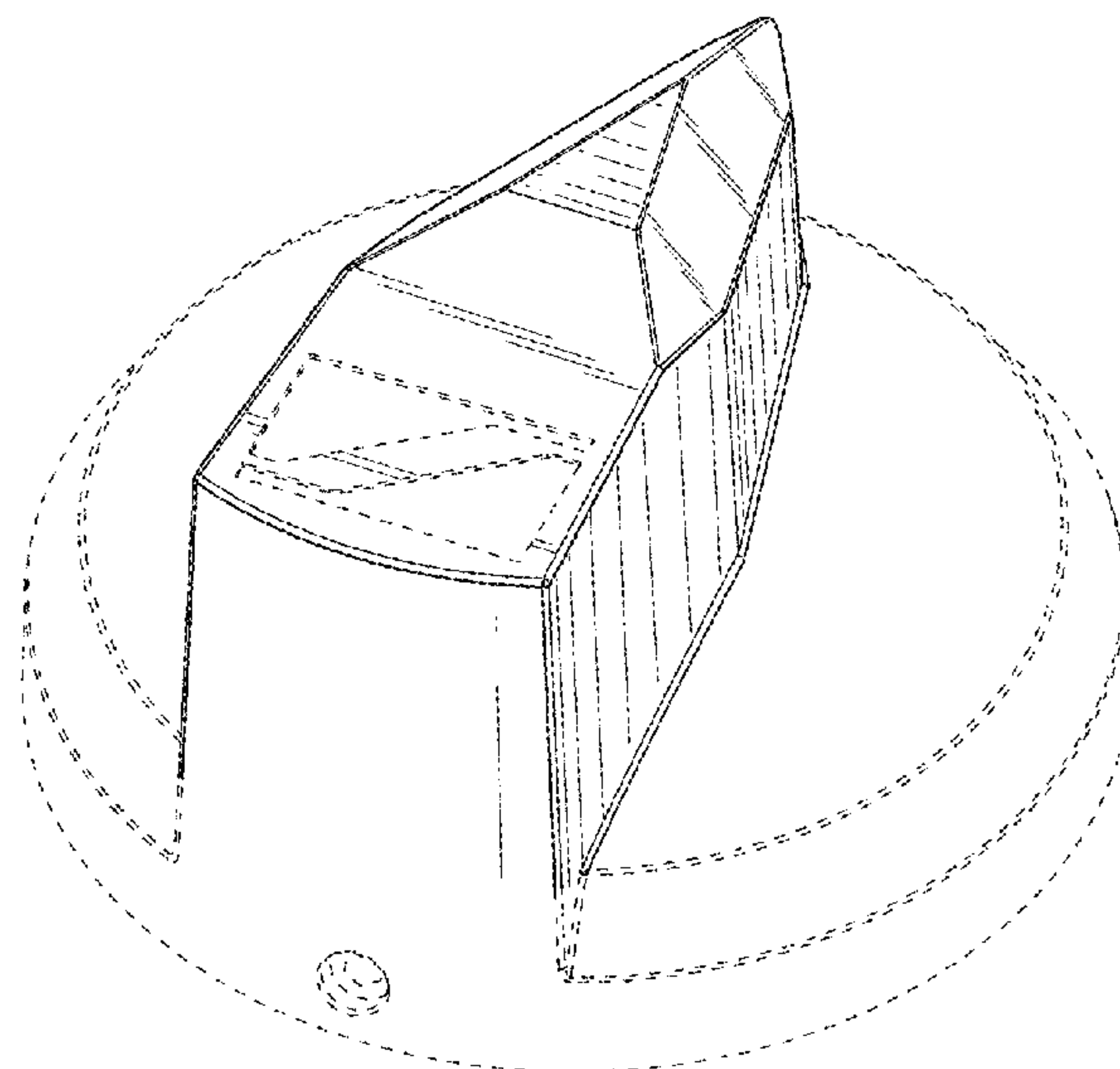
(56) **References Cited**

U.S. PATENT DOCUMENTS

2,235,723 A * 3/1941 Myers D06F 75/265
236/7

D146,269 S 1/1947 Simpson

1 Claim, 4 Drawing Sheets



(56)

References Cited

U.S. PATENT DOCUMENTS

D564,980 S 3/2008 Browne
D573,000 S * 7/2008 Martin D8/311
D613,698 S * 4/2010 Radau D13/169
8,079,287 B2 * 12/2011 Castillo G05G 1/12
74/553
D691,456 S 10/2013 Watkins
D860,757 S * 9/2019 Kim D8/311
10,409,314 B2 * 9/2019 Turner G05G 1/105
D893,980 S * 8/2020 Yungbluth D8/311
2011/0072932 A1 3/2011 O'Keefe
2016/0329175 A1 11/2016 Bowen

OTHER PUBLICATIONS

Partstown, Listing of Partstown "Southbend Range Knobs & Dials,"
2019, 6 pages, Retrieved from <<https://www.partstown.com/southbend-range/knobs-dials/parts>>, on Oct. 11, 2019.

* cited by examiner

FIG. 1

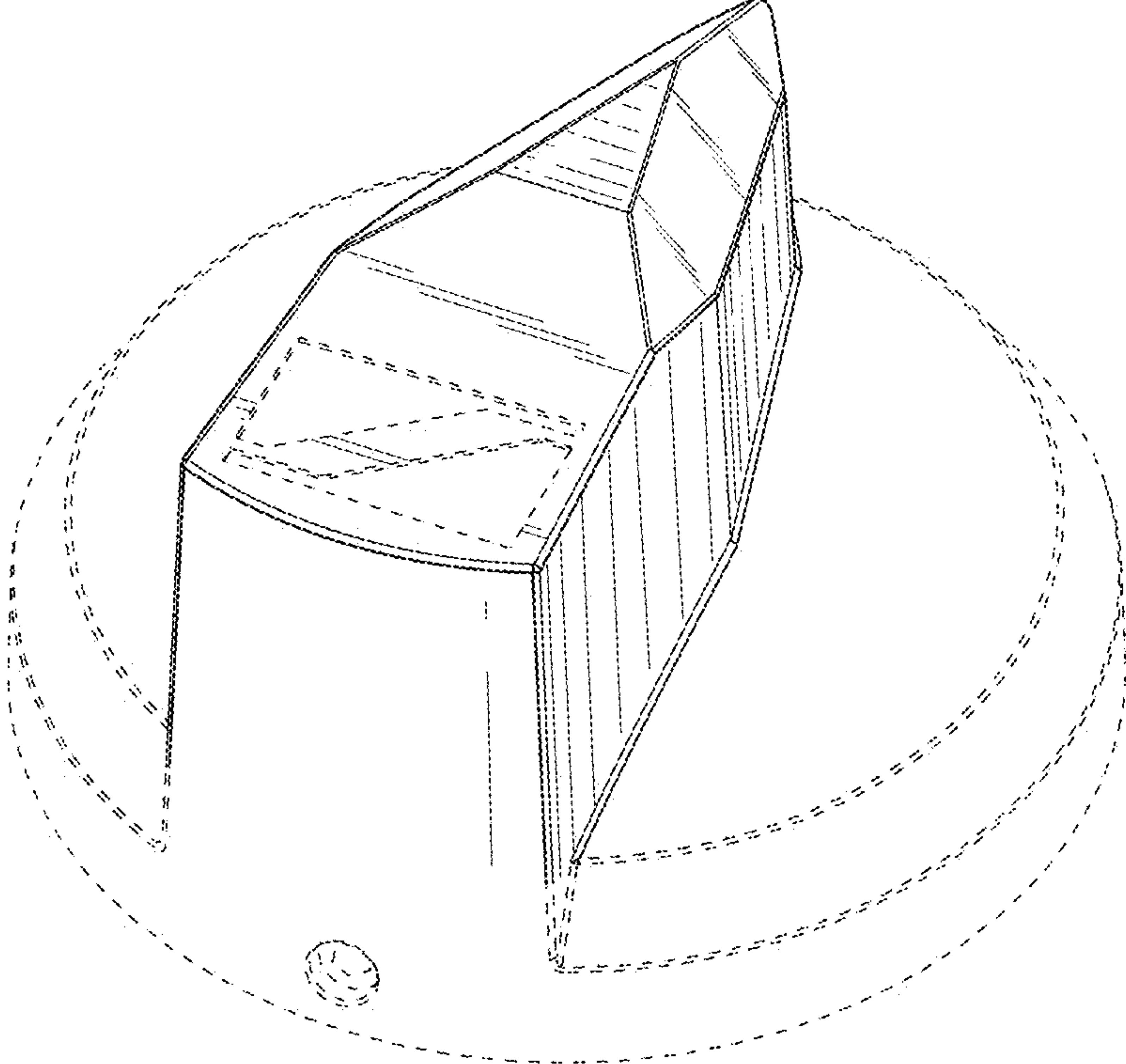


FIG. 2

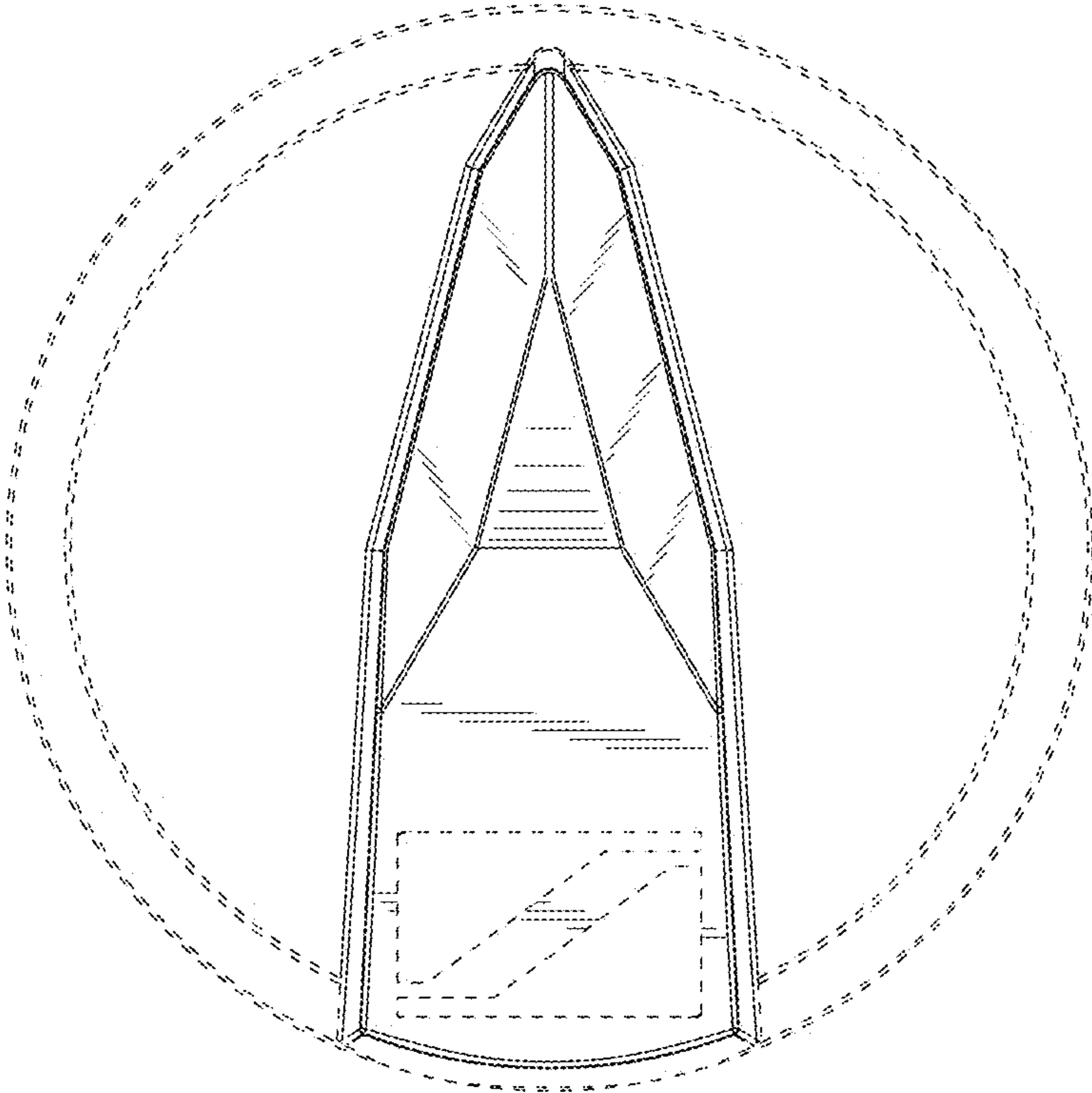


FIG. 3

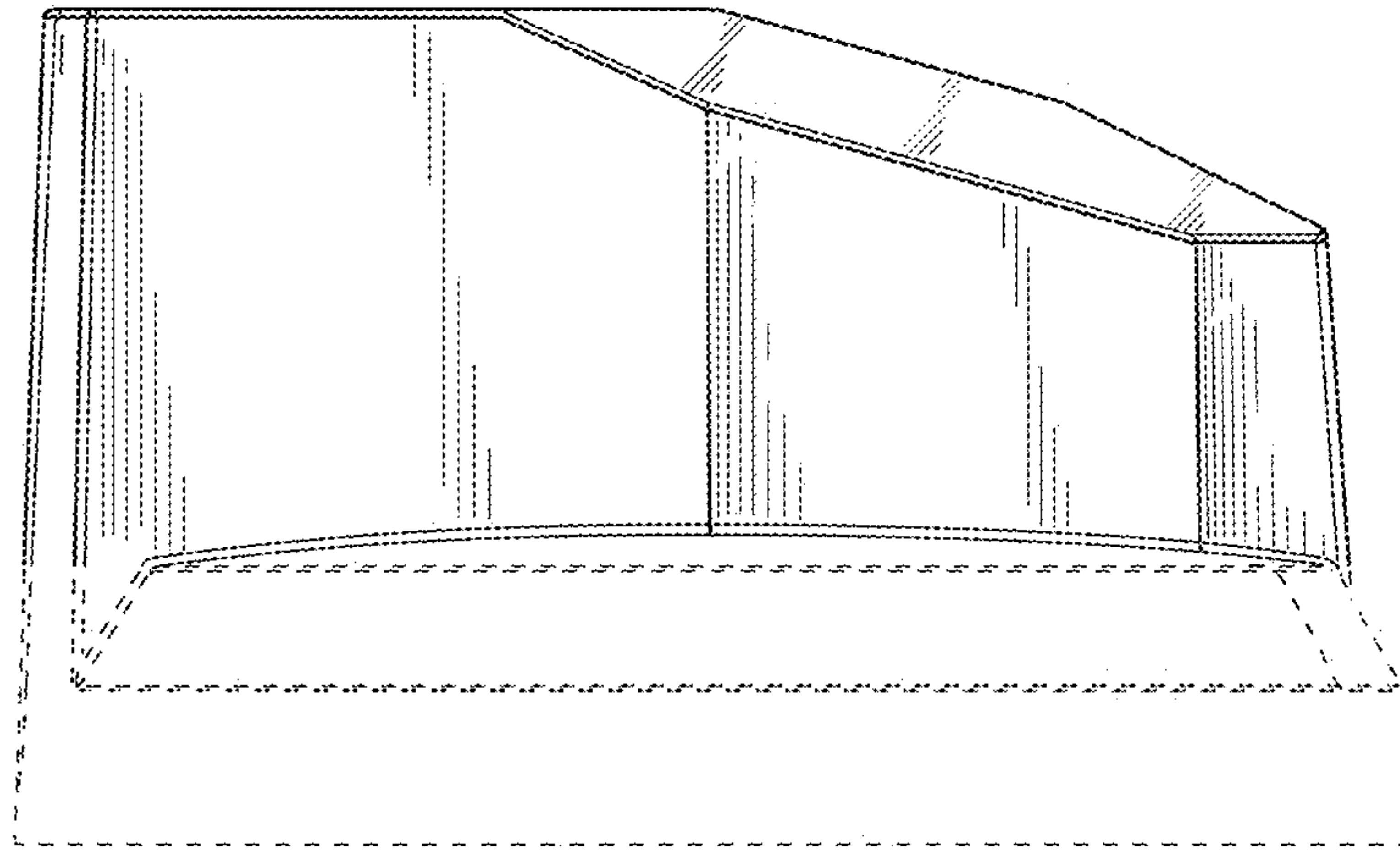


FIG. 4

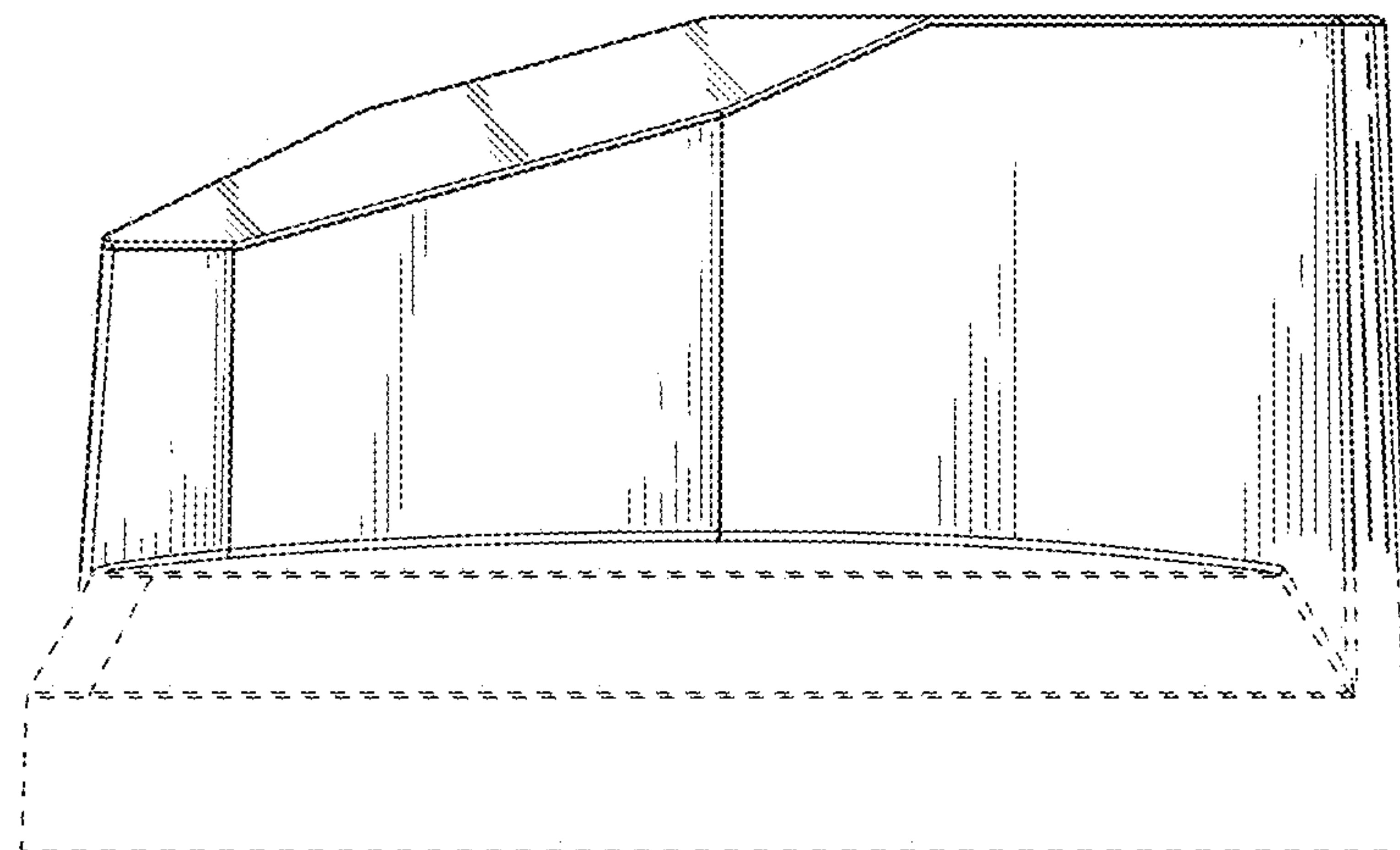


FIG. 5

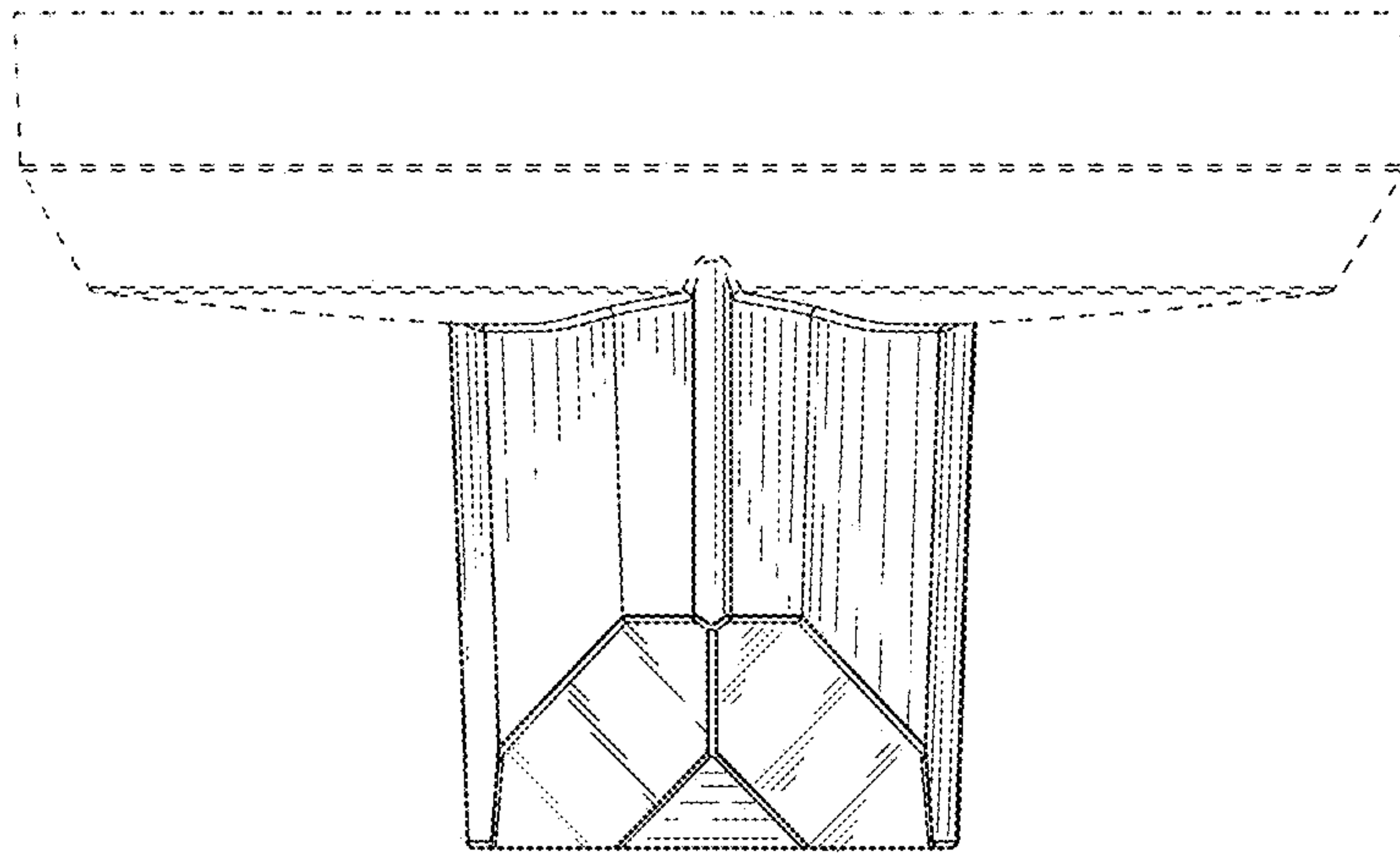


FIG. 6

