



US00D904157S

(12) **United States Design Patent** (10) **Patent No.:** **US D904,157 S**
Ronan (45) **Date of Patent:** **** Dec. 8, 2020**

(54) **UTILITY KNIFE**
(71) Applicant: **John Ronan**, Temecula, CA (US)
(72) Inventor: **John Ronan**, Temecula, CA (US)
(73) Assignee: **Ronan Tools Inc.**
(**) Term: **15 Years**
(21) Appl. No.: **29/707,501**
(22) Filed: **Sep. 27, 2019**
(51) **LOC (12) Cl.** **08-03**
(52) **U.S. Cl.**
USPC **D8/99**
(58) **Field of Classification Search**
USPC D8/14, 33, 40, 98, 99, 105; D22/118
CPC B26B 5/001; B26B 5/003; B26B 11/00;
B26B 1/08; B26B 1/02; B26B 1/10;
B26B 1/04; B26B 1/042; B26B 1/048;
B26B 3/08; B26B 29/06; B26B 3/06;
B26B 5/00; B26B 5/005; B26B 5/006;
B67B 7/16
See application file for complete search history.

(56) **References Cited**
U.S. PATENT DOCUMENTS
3,660,895 A 5/1972 West
4,265,017 A 5/1981 Collins
D701,740 S * 4/2014 Lee D8/99
D743,236 S * 11/2015 Fischer D8/99
D804,273 S * 12/2017 Thomsen D8/99
D852,019 S * 6/2019 Thomsen D8/99
D869,930 S * 12/2019 Parker D8/105
2005/0204567 A1 9/2005 Ping
2010/0281696 A1 11/2010 Hao et al.
2011/0308090 A1 12/2011 Ho
2014/0373363 A1 12/2014 Billado, Jr.

2019/0224861 A1* 7/2019 Bloch B26B 5/001
2019/0351565 A1* 11/2019 Ronan B26B 5/003
2020/0001477 A1* 1/2020 Gilbertson B26B 5/001

OTHER PUBLICATIONS

Edcfans Utility Knife. Found on Amazon.com reviewed Jul. 10, 2019.*

* cited by examiner

Primary Examiner — Philip S Hyder
(74) *Attorney, Agent, or Firm* — Quickpatents, LLC;
Kevin Prince

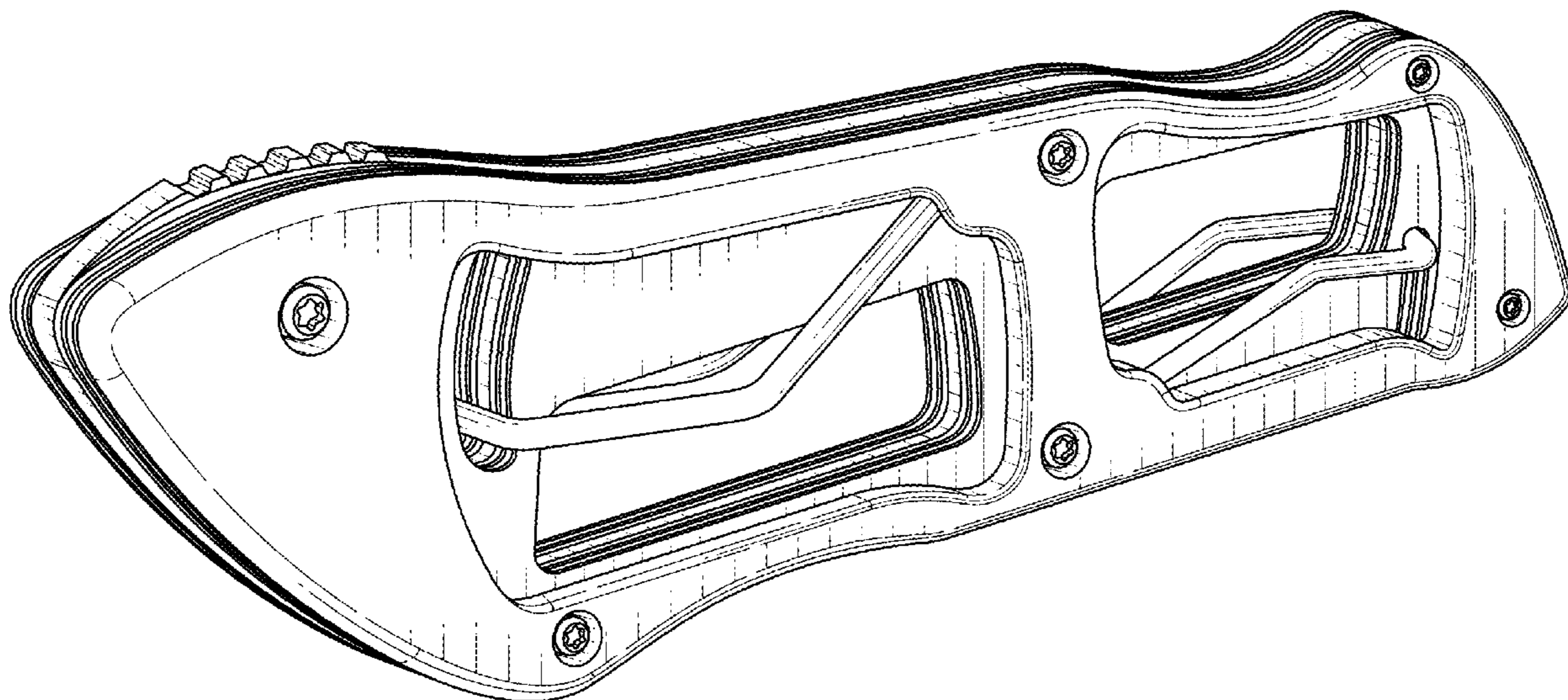
(57) **CLAIM**

The ornamental design for a utility knife, as shown and described.

DESCRIPTION

FIG. 1 is a perspective view of a utility knife, showing my new design;
FIG. 2 is a front perspective view thereof;
FIG. 3 is a rear perspective view thereof;
FIG. 4 is a front elevational view thereof;
FIG. 5 is a rear elevational view thereof;
FIG. 6 is a left-side elevational view thereof;
FIG. 7 is a right-side elevational view thereof;
FIG. 8 is a top plan view thereof;
FIG. 9 is a bottom plan view thereof; and,
FIG. 10 is an alternate perspective view thereof, showing a utility knife blade in an extended position.
The broken lines showing a utility knife blade in FIG. 10 depict environmental matter and form no part of the claimed design.

1 Claim, 8 Drawing Sheets



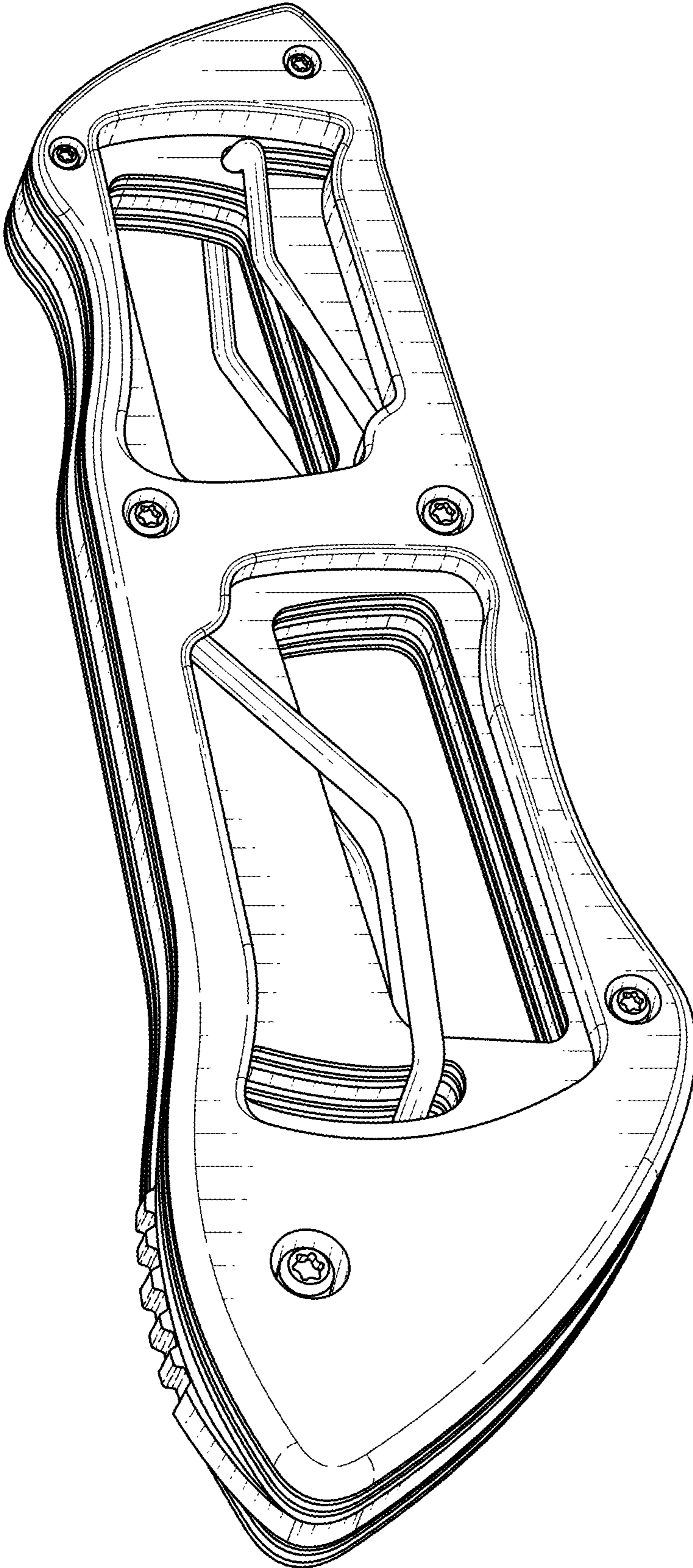


FIG. 1

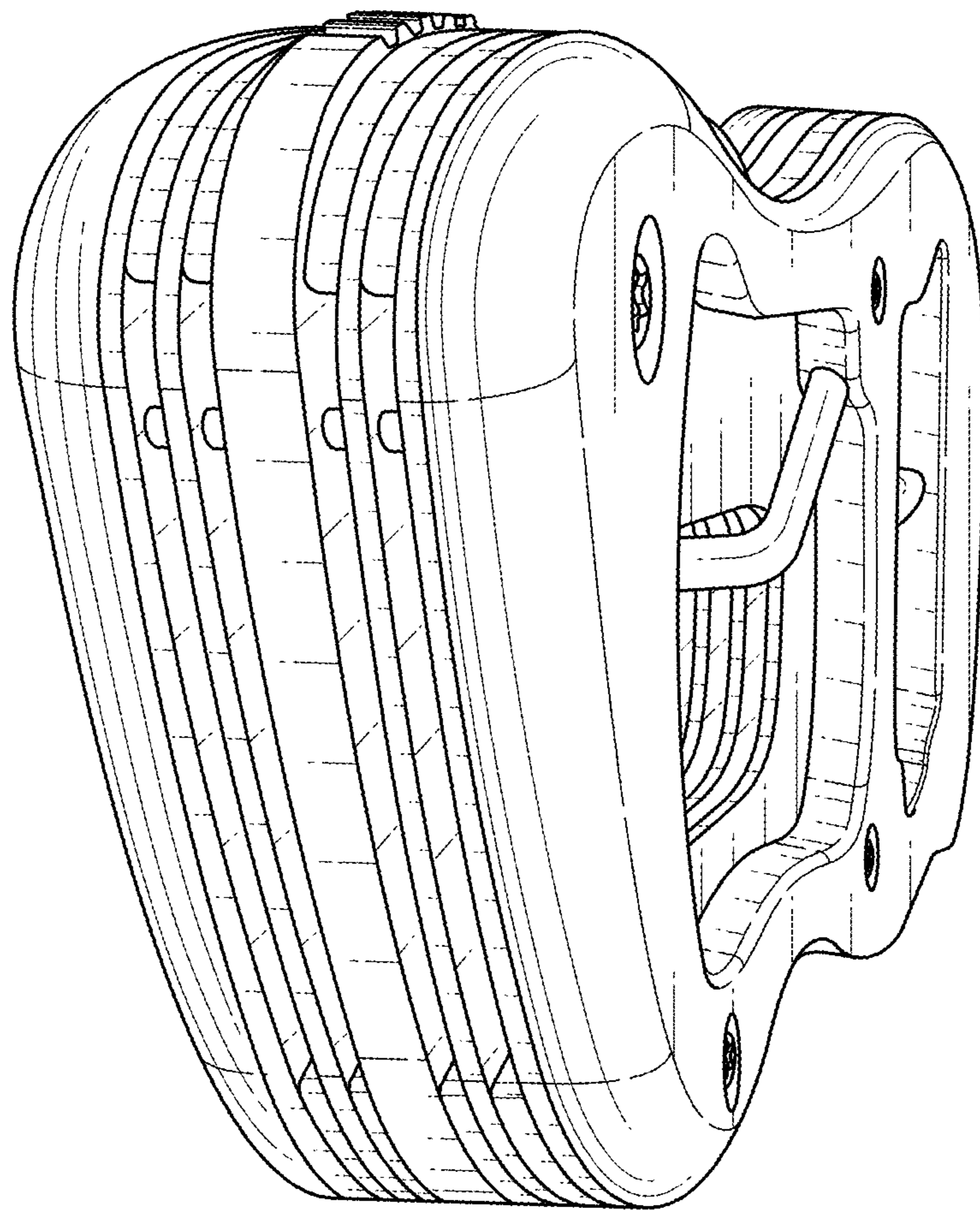


FIG. 2

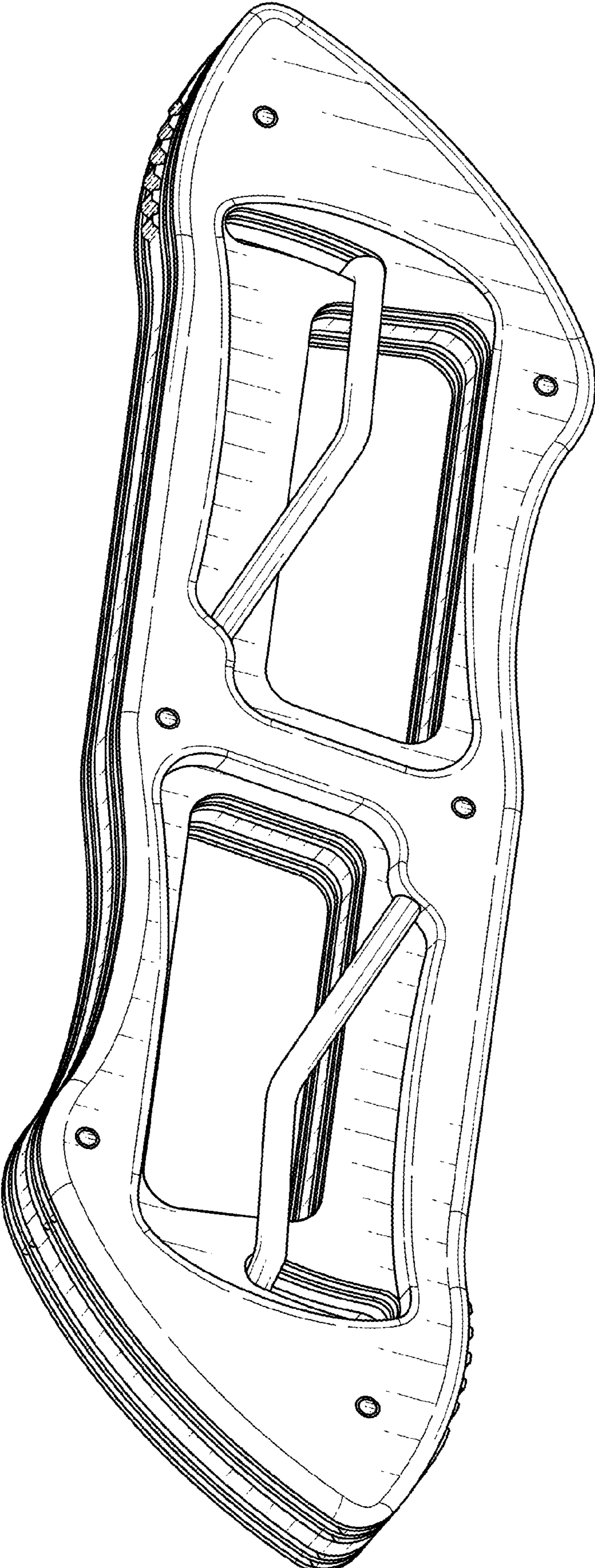


FIG. 3

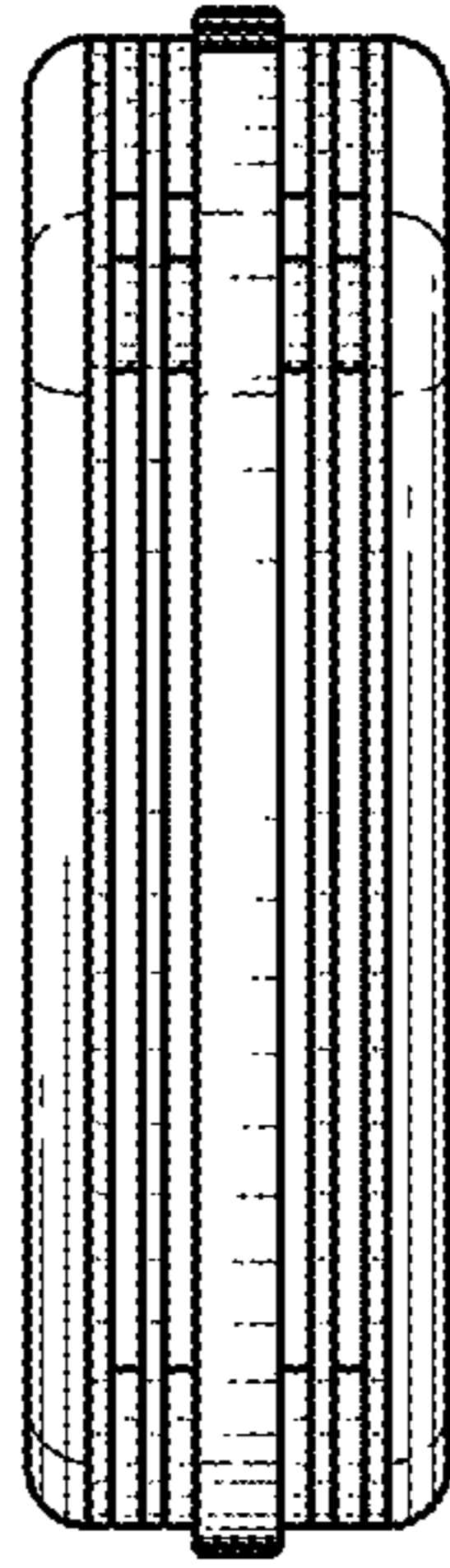


FIG. 4

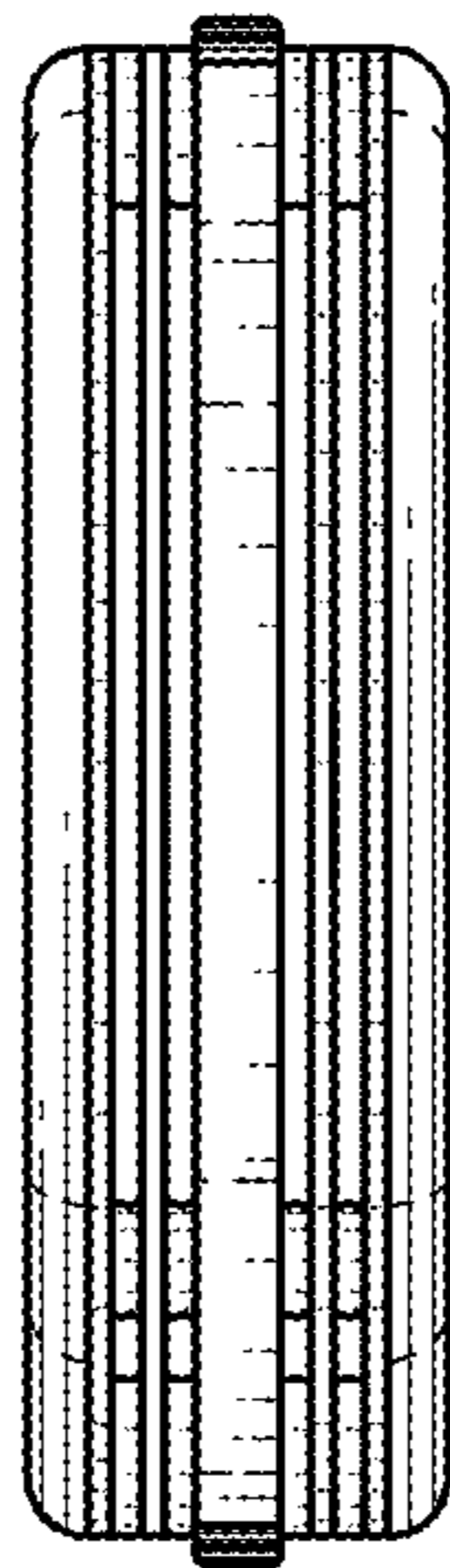


FIG. 5

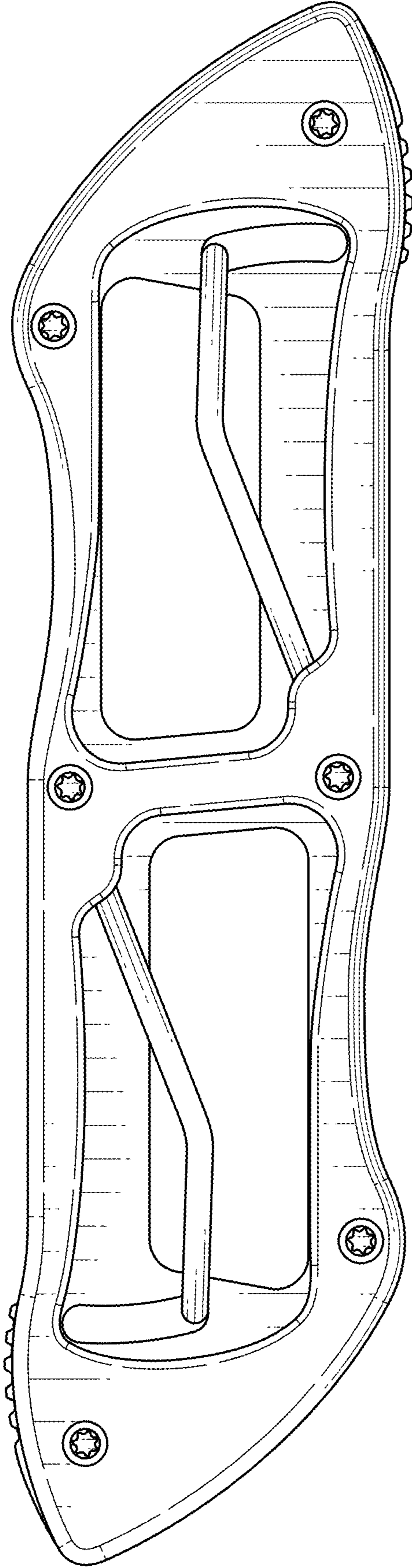


FIG. 6

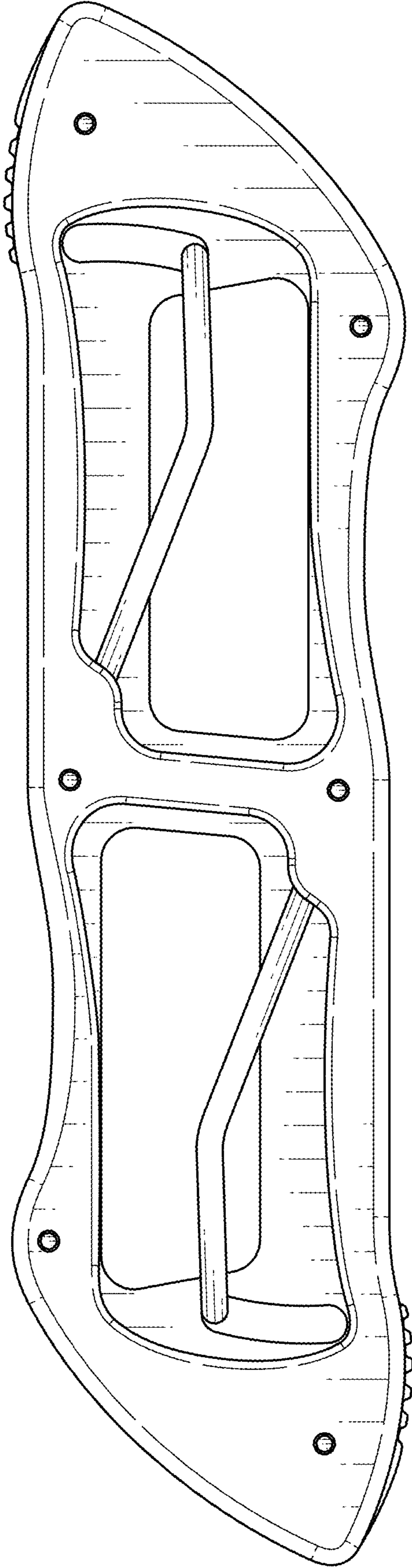


FIG. 7

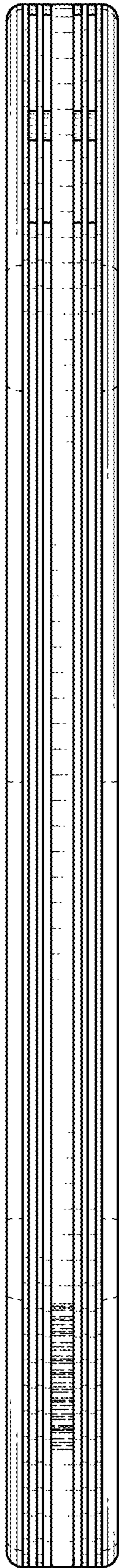


FIG. 8

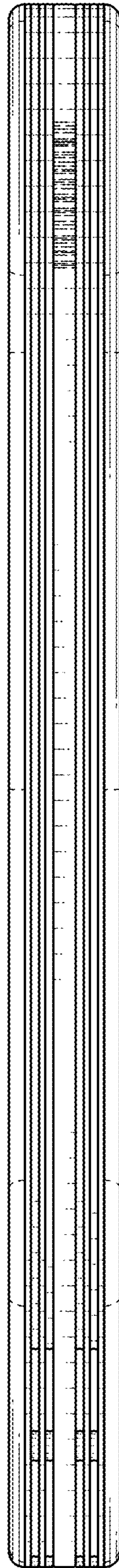


FIG. 9

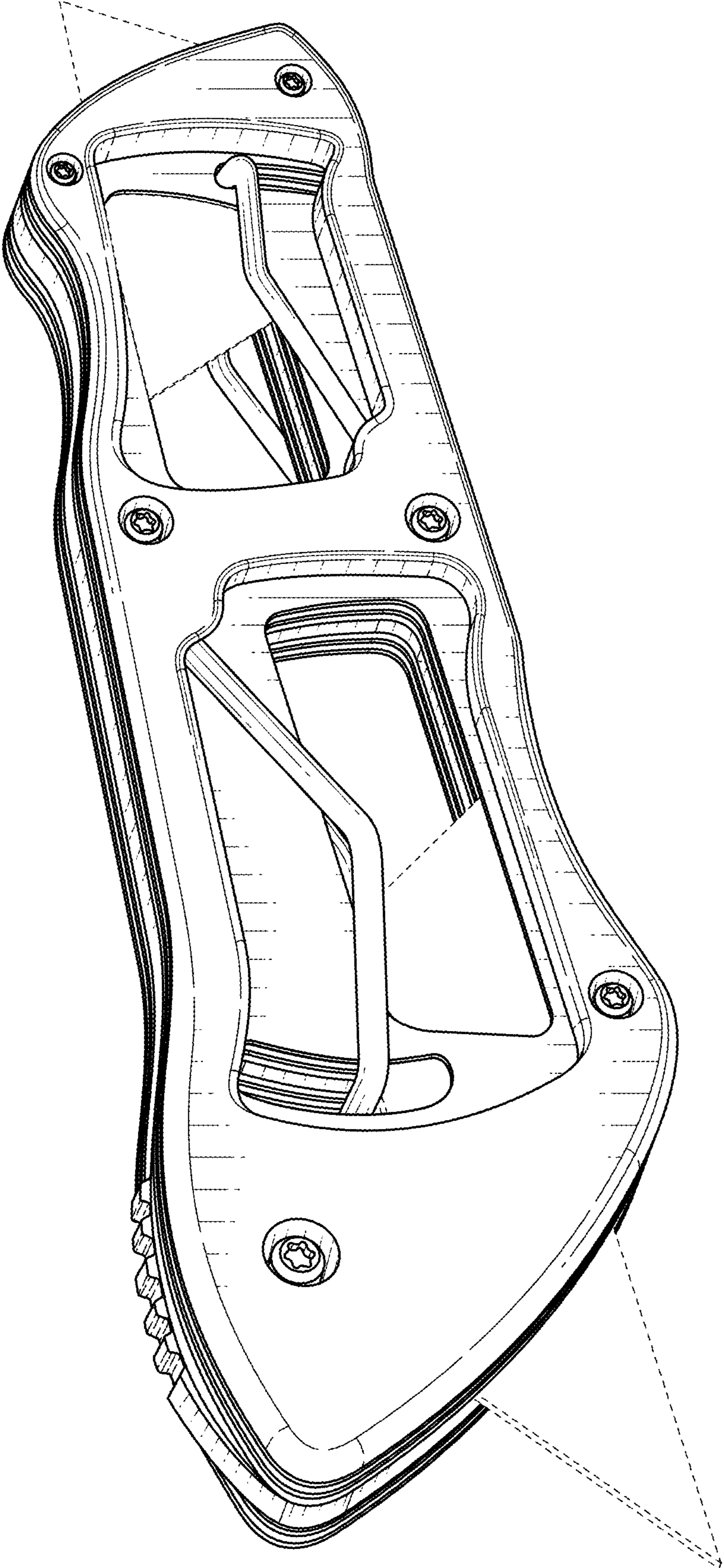


FIG. 10