



US00D904156S

(12) **United States Design Patent** (10) **Patent No.:** **US D904,156 S**  
**Ronan** (45) **Date of Patent:** **\*\* Dec. 8, 2020**

(54) **UTILITY KNIFE**

(71) Applicant: **John Ronan**, Temecula, CA (US)

(72) Inventor: **John Ronan**, Temecula, CA (US)

(73) Assignee: **Ronan Tools Inc.**

(\*\*) Term: **15 Years**

(21) Appl. No.: **29/707,500**

(22) Filed: **Sep. 27, 2019**

(51) **LOC (12) Cl.** ..... **08-03**

(52) **U.S. Cl.**  
USPC ..... **D8/99**

(58) **Field of Classification Search**  
USPC ..... D8/14, 33, 40, 98, 99, 105; D22/118  
CPC ..... B26B 5/001; B26B 5/003; B26B 11/00;  
B26B 1/08; B26B 1/02; B26B 1/10;  
B26B 1/04; B26B 1/042; B26B 1/048;  
B26B 3/08; B26B 29/06; B26B 3/06;  
B26B 5/00; B26B 5/005; B26B 5/006;  
B67B 7/16  
See application file for complete search history.

(56) **References Cited**

**U.S. PATENT DOCUMENTS**

3,660,895	A	5/1972	West	
4,265,017	A	5/1981	Collins	
D701,740	S *	4/2014	Lee	D8/99
D743,236	S *	11/2015	Fischer	D8/99
D804,273	S *	12/2017	Thomsen	D8/99
D852,019	S *	6/2019	Thomsen	D8/99
D869,930	S *	12/2019	Parker	D8/105
2005/0204567	A1	9/2005	Ping	
2010/0281696	A1	11/2010	Hao et al.	
2011/0308090	A1	12/2011	Ho	
2014/0373363	A1	12/2014	Billado, Jr.	

2019/0224861	A1 *	7/2019	Bloch	B26B 5/001
2019/0351565	A1 *	11/2019	Ronan	B26B 5/003
2020/0001477	A1 *	1/2020	Gilbertson	B26B 5/001

**OTHER PUBLICATIONS**

Edcfans Utility Knife. Found on Amazon.com reviewed Jul. 10, 2019.\*

\* cited by examiner

*Primary Examiner* — Philip S Hyder

(74) *Attorney, Agent, or Firm* — Quickpatents, LLC; Kevin Prince

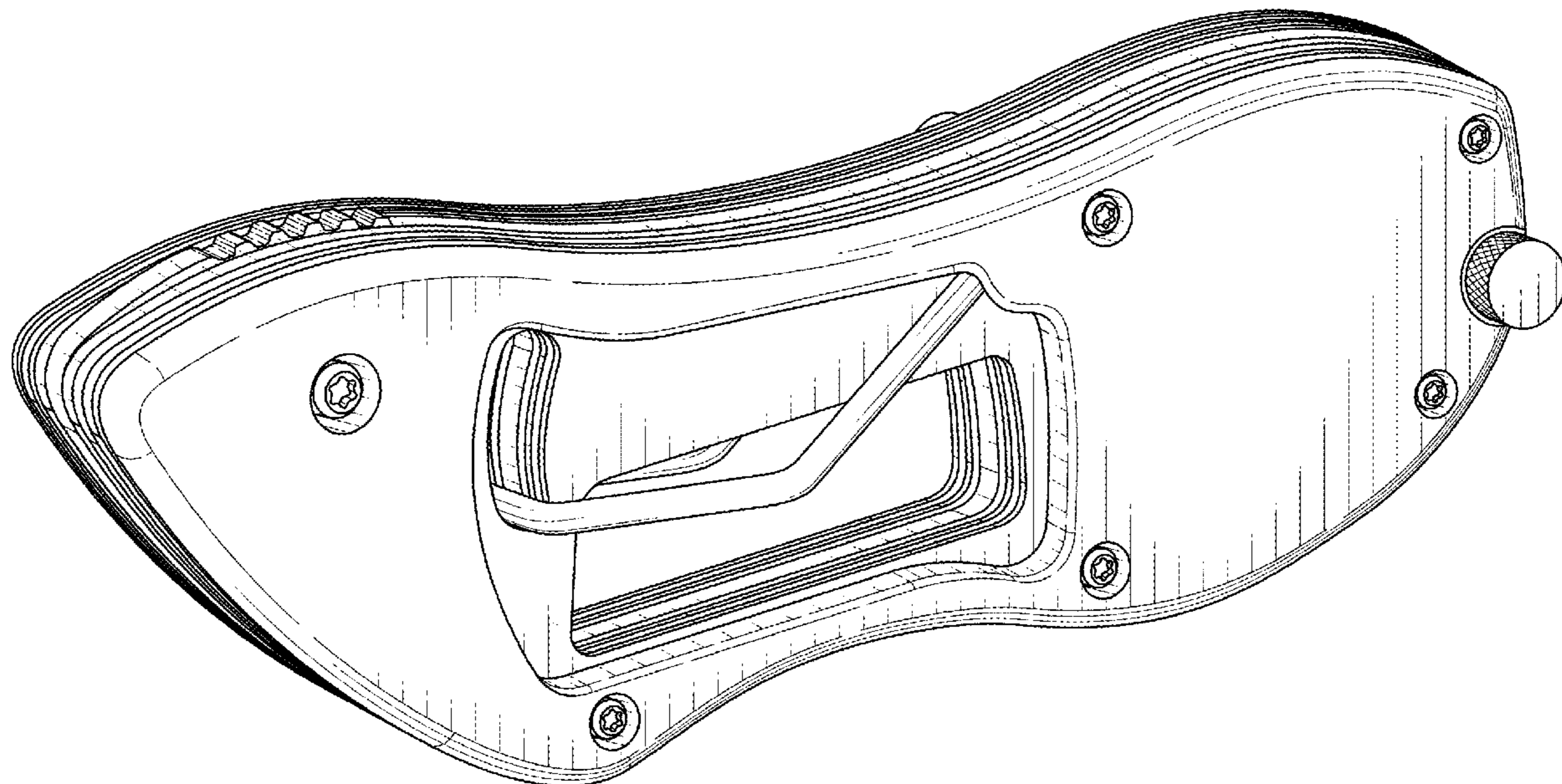
(57) **CLAIM**

The ornamental design for a utility knife, as shown and described.

**DESCRIPTION**

FIG. 1 is a perspective view of a utility knife, showing my new design;  
FIG. 2 is a front perspective view thereof;  
FIG. 3 is a rear perspective view thereof;  
FIG. 4 is a front elevational view thereof;  
FIG. 5 is a rear elevational view thereof;  
FIG. 6 is a left-side elevational view thereof;  
FIG. 7 is a right-side elevational view thereof;  
FIG. 8 is a top plan view thereof;  
FIG. 9 is a bottom plan view thereof; and,  
FIG. 10 is an alternate perspective view thereof, showing a utility knife blade in an extended position.  
The broken lines showing a utility knife blade in FIG. 10 depict environmental matter and form no part of the claimed design.

**1 Claim, 8 Drawing Sheets**



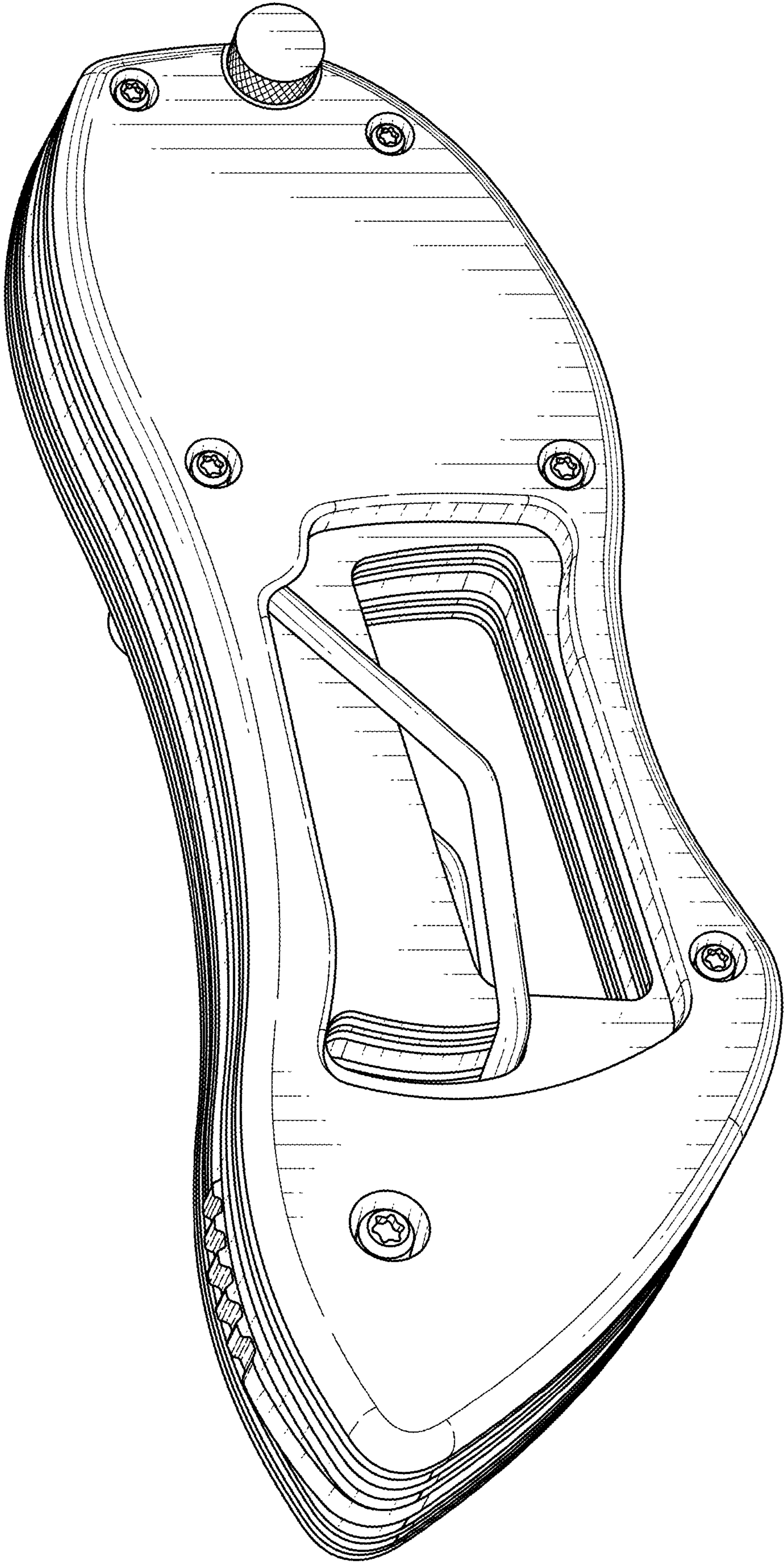


FIG. 1

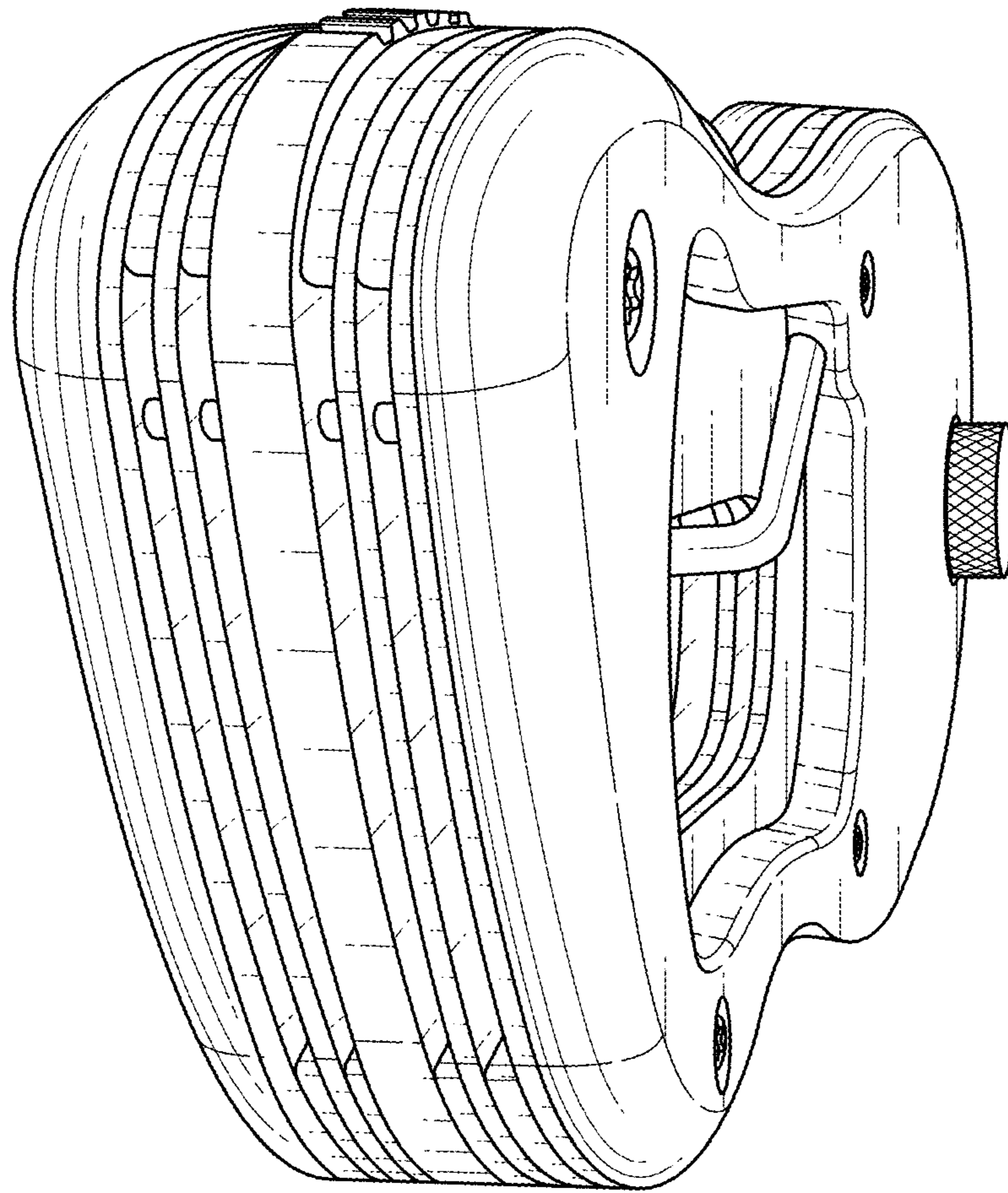


FIG. 2

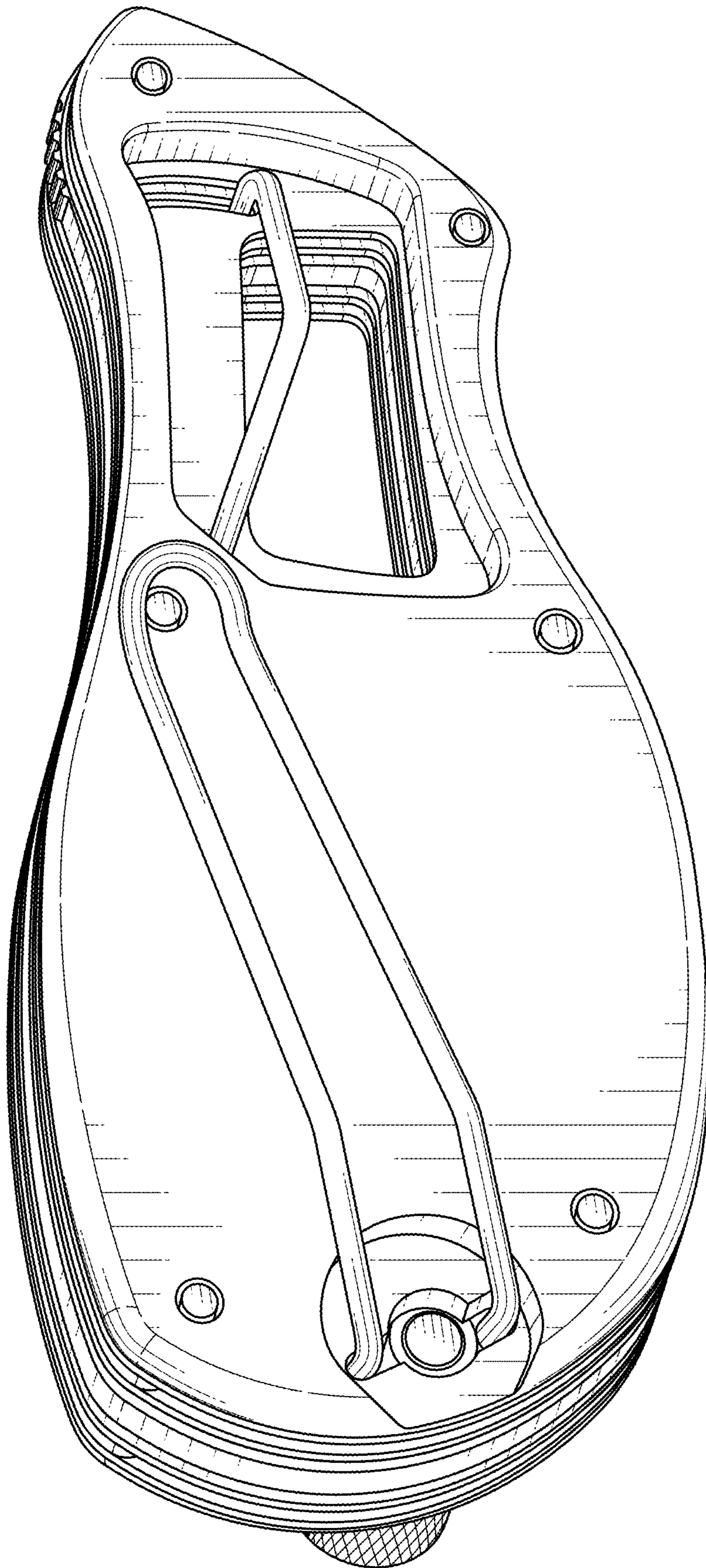


FIG. 3

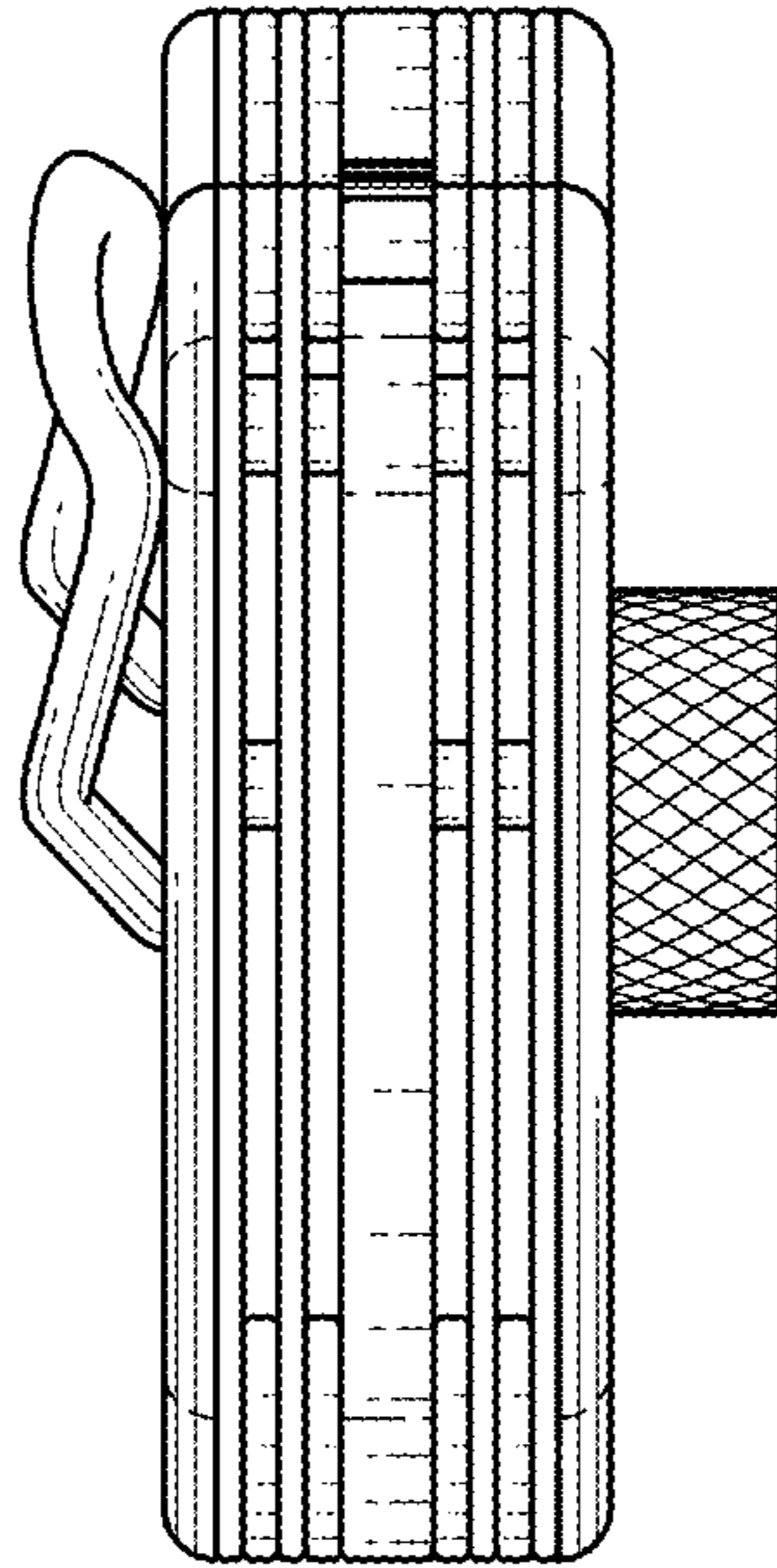


FIG. 4

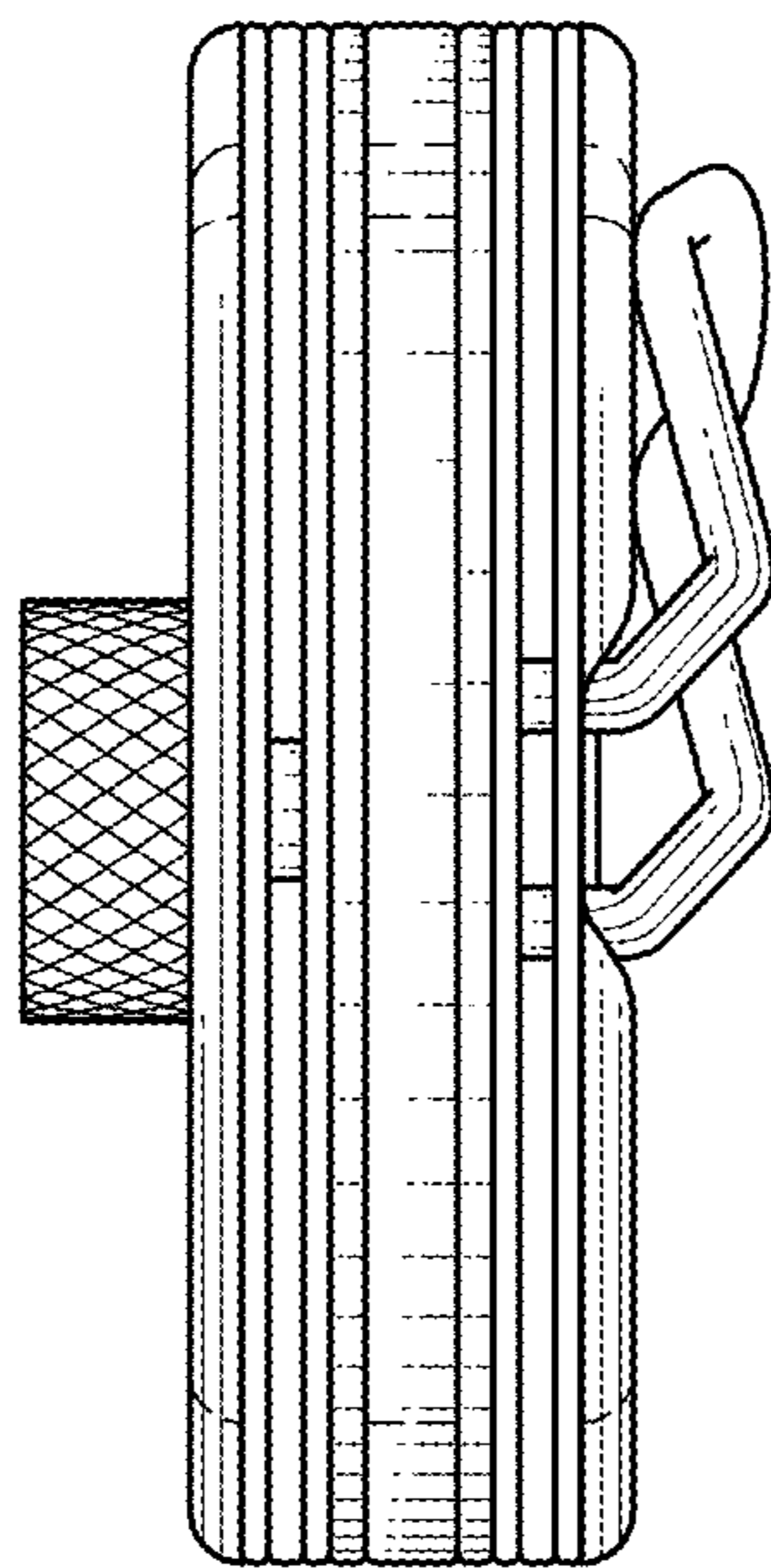


FIG. 5

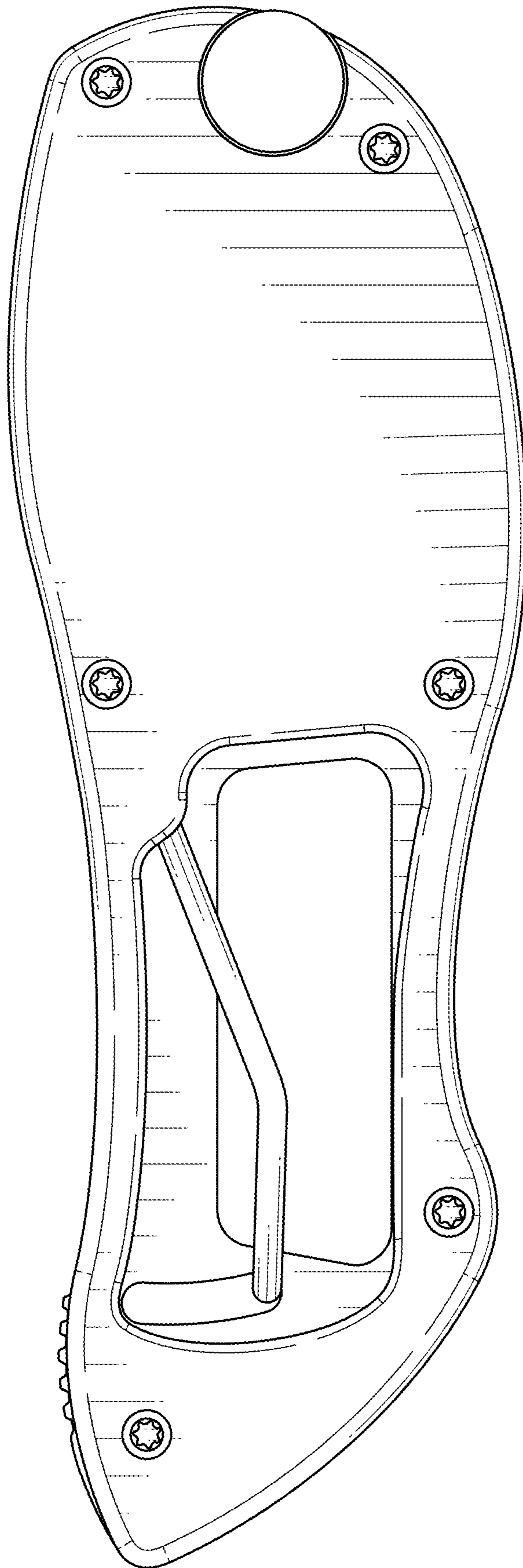


FIG. 6

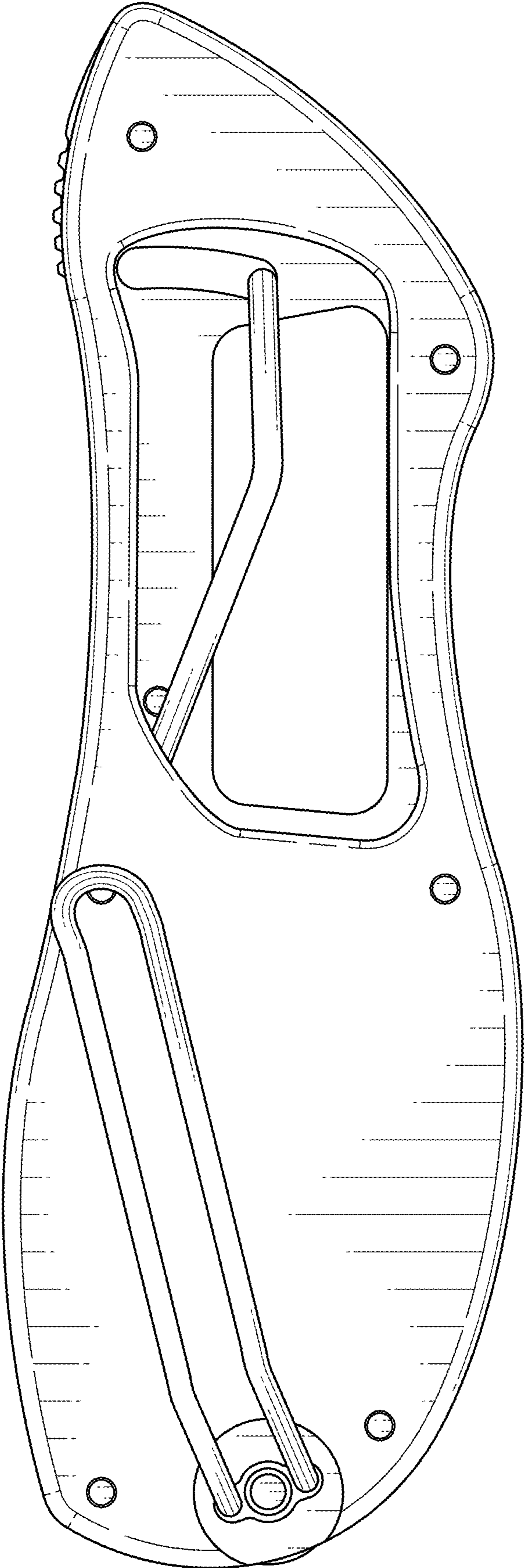


FIG. 7

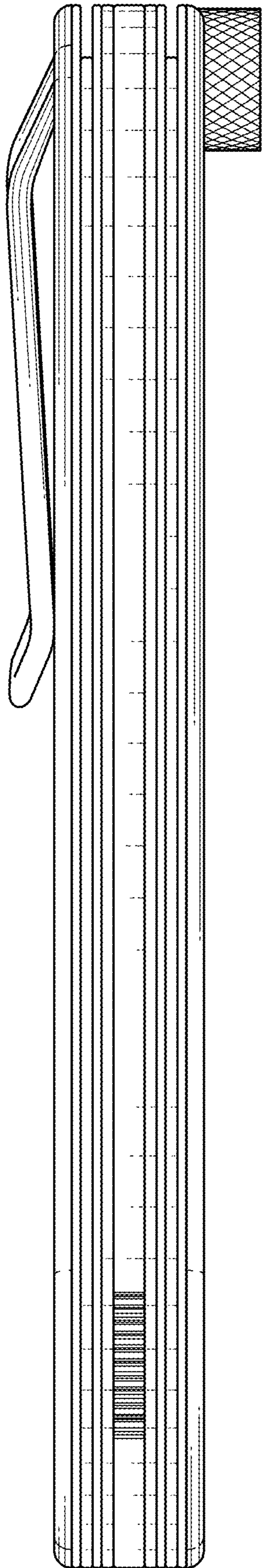


FIG. 8

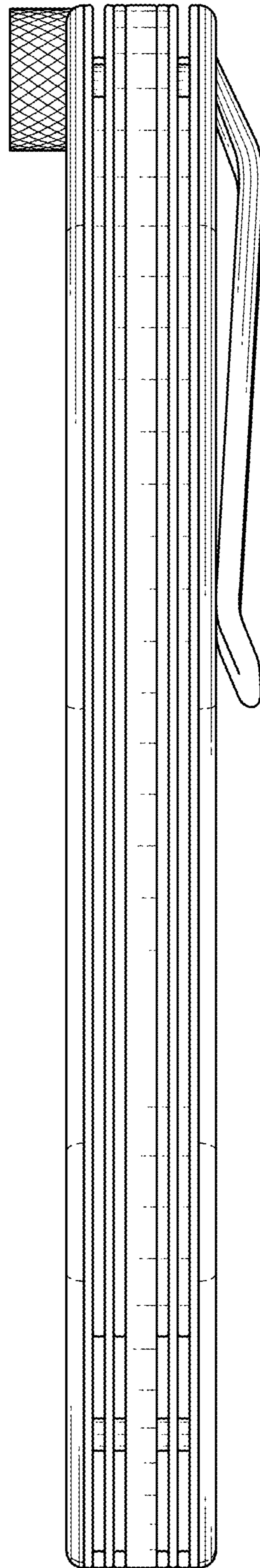


FIG. 9



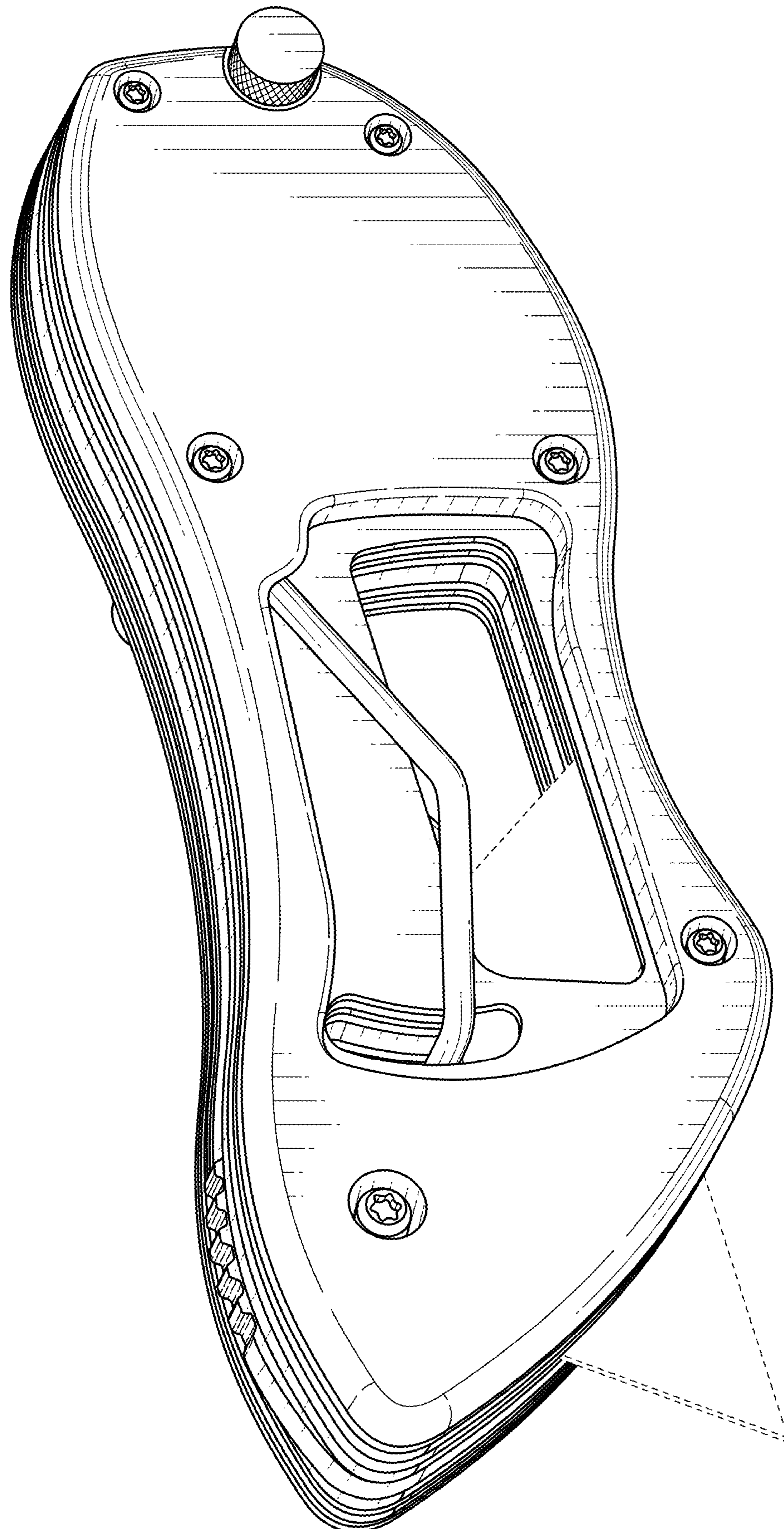


FIG. 10