



US00D904152S

(12) **United States Design Patent** (10) **Patent No.:** **US D904,152 S**  
**Kukucka et al.** (45) **Date of Patent:** **\*\* Dec. 8, 2020**

- (54) **TOOL RETENTION HEAD**
- (71) Applicant: **GRIP HOLDINGS LLC**, Brandon, FL (US)
- (72) Inventors: **Paul Kukucka**, Brandon, FL (US);  
**Thomas Stefan Kukucka**, Brandon, FL (US)
- (73) Assignee: **GRIP HOLDINGS LLC**, Brandon, FL (US)
- (\*\*) Term: **15 Years**
- (21) Appl. No.: **29/744,667**
- (22) Filed: **Jul. 30, 2020**

D432,880 S *	10/2000	Rice	.....	D8/29
D515,910 S *	2/2006	Gates	.....	B60R 9/06 D8/354
D570,209 S *	6/2008	Hagleitner	.....	D8/499
D579,323 S *	10/2008	Hagleitner	.....	D15/143
D579,765 S *	11/2008	Hagleitner	.....	D15/143
D632,556 S *	2/2011	Van Camp	.....	D8/400
D641,609 S *	7/2011	Yagame	.....	D8/354
D657,648 S *	4/2012	Wachsmann	.....	D8/71
D693,390 S *	11/2013	Wachsmann	.....	D15/140
D693,391 S *	11/2013	Roetsch	.....	D15/140
D696,574 S *	12/2013	Caterinacci	.....	D8/382
D833,543 S *	11/2018	Semling	.....	D21/499
D835,729 S *	12/2018	Semling	.....	D21/499
D837,306 S *	1/2019	Patison	.....	D21/499
D843,822 S *	3/2019	Chappus	.....	D8/380
D871,188 S *	12/2019	Kovacs	.....	D8/99
D896,289 S *	9/2020	Wachsmann	.....	D15/140
2015/0180139 A1 *	6/2015	Alvarez Vazquez	.....	H01R 4/36 439/793
2018/0235734 A1 *	8/2018	Fan	.....	A61C 8/0074
2020/0094381 A1 *	3/2020	Molina	.....	B25B 5/14

**Related U.S. Application Data**

- (63) Continuation-in-part of application No. 29/730,683, filed on Apr. 7, 2020.

- (51) **LOC (12) Cl.** ..... **08-01**
- (52) **U.S. Cl.**

USPC ..... **D8/71; D3/312**

- (58) **Field of Classification Search**

USPC .... D8/71, 74, 321, 349, 380, 382, 394, 499;  
D15/140, 138; D3/312, 313  
CPC ..... B25B 9/00; B25B 11/00; B25B 23/00;  
B25B 23/0007; B25B 23/0057; B25B  
23/0085; B25B 33/00; A47F 5/0869;  
Y10S 269/00; Y10T 16/00; Y10T 16/211;  
Y10T 279/00; Y10T 279/17196; Y10T  
279/17752; F16M 2200/066; F16M  
200/00; F16M 13/00; F16M 13/005;  
F16M 13/04; F16M 11/02

See application file for complete search history.

- (56) **References Cited**

**U.S. PATENT DOCUMENTS**

D270,516 S *	9/1983	Achille	.....	D8/354
D366,996 S *	2/1996	Torres	.....	D17/22

\* cited by examiner

*Primary Examiner* — Kelley A Donnelly

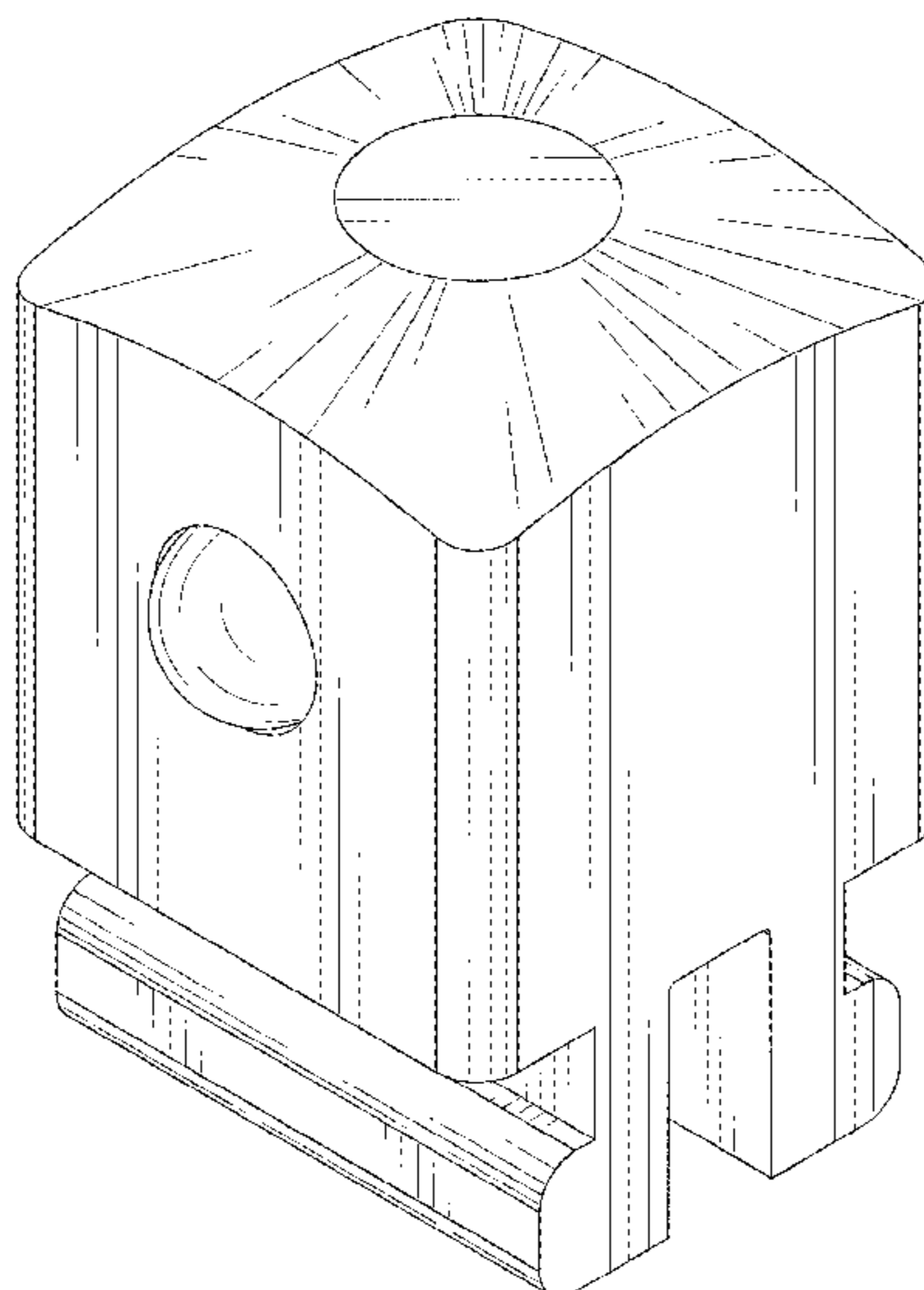
(57) **CLAIM**

The ornamental design for a tool retention head, as shown and described.

**DESCRIPTION**

FIG. 1 is a top-front-left perspective view of a tool retention head showing my new design;  
FIG. 2 is a bottom-rear-right perspective view thereof;  
FIG. 3 is a front elevational view thereof;  
FIG. 4 is a rear elevational view thereof;  
FIG. 5 right-side elevational view, the left-side elevational view being mirrored thereto;  
FIG. 6 is a top plan view thereof; and,  
FIG. 7 is a bottom plan view thereof.

**1 Claim, 7 Drawing Sheets**



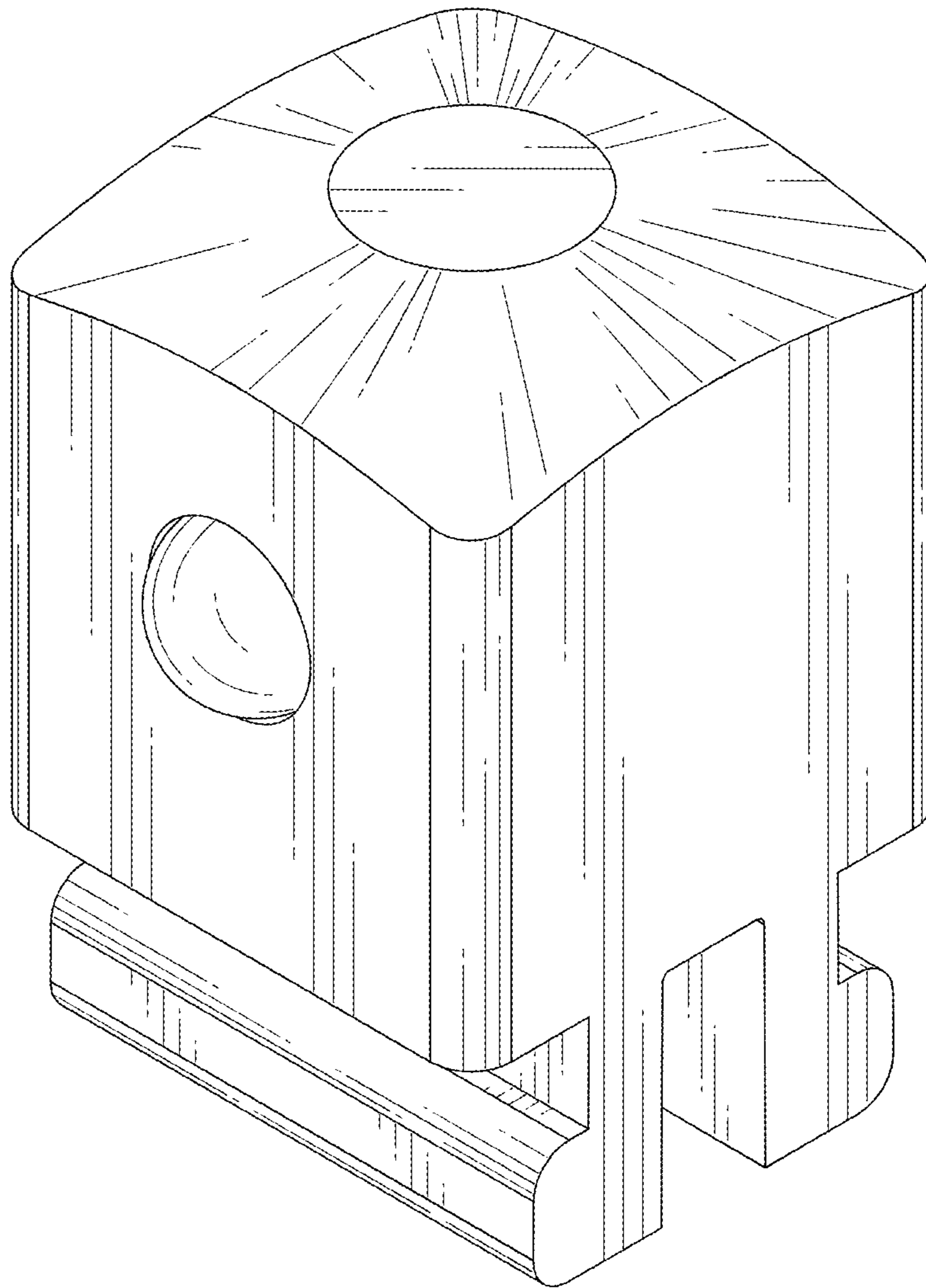


FIG. 1

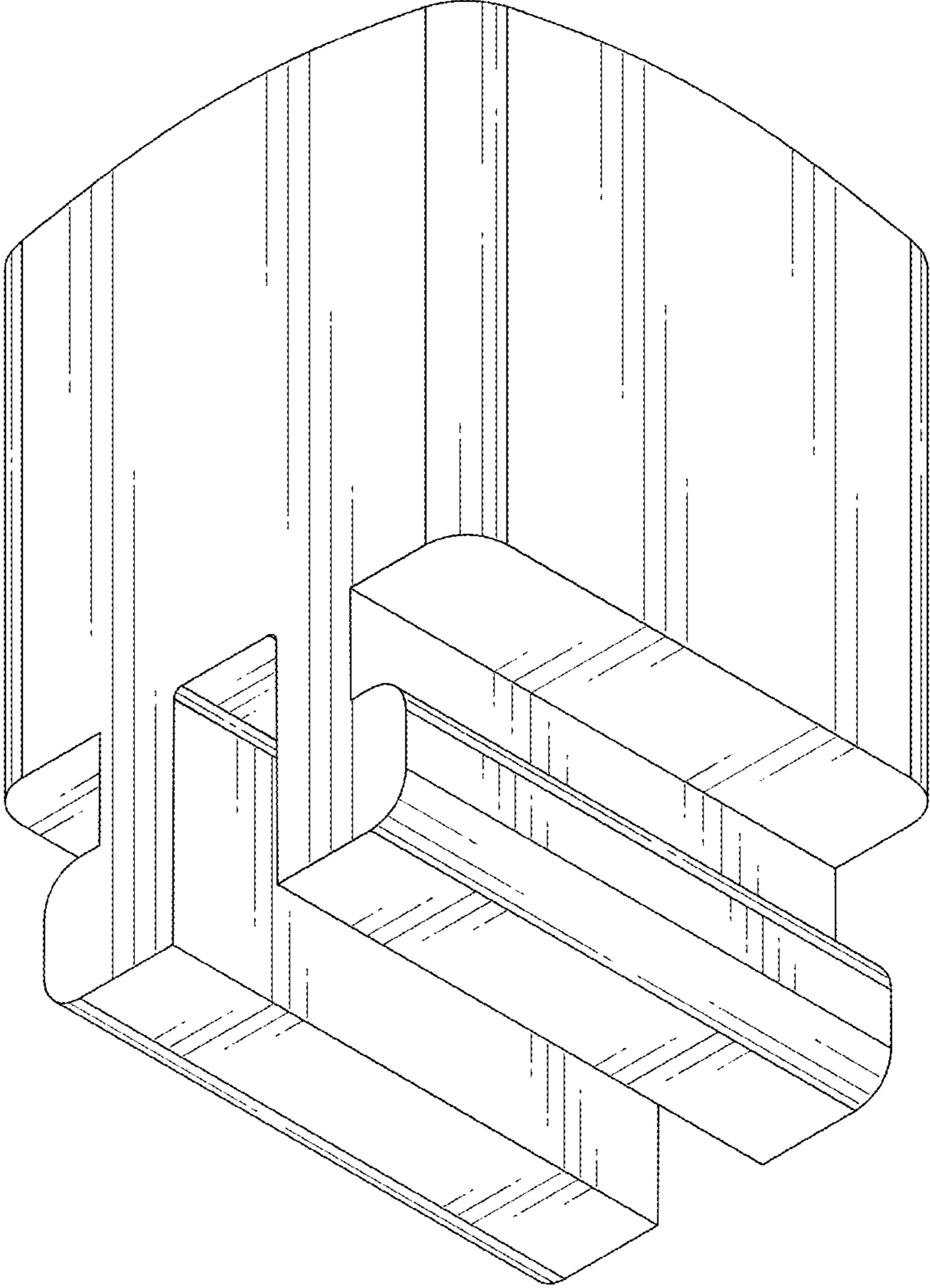


FIG. 2

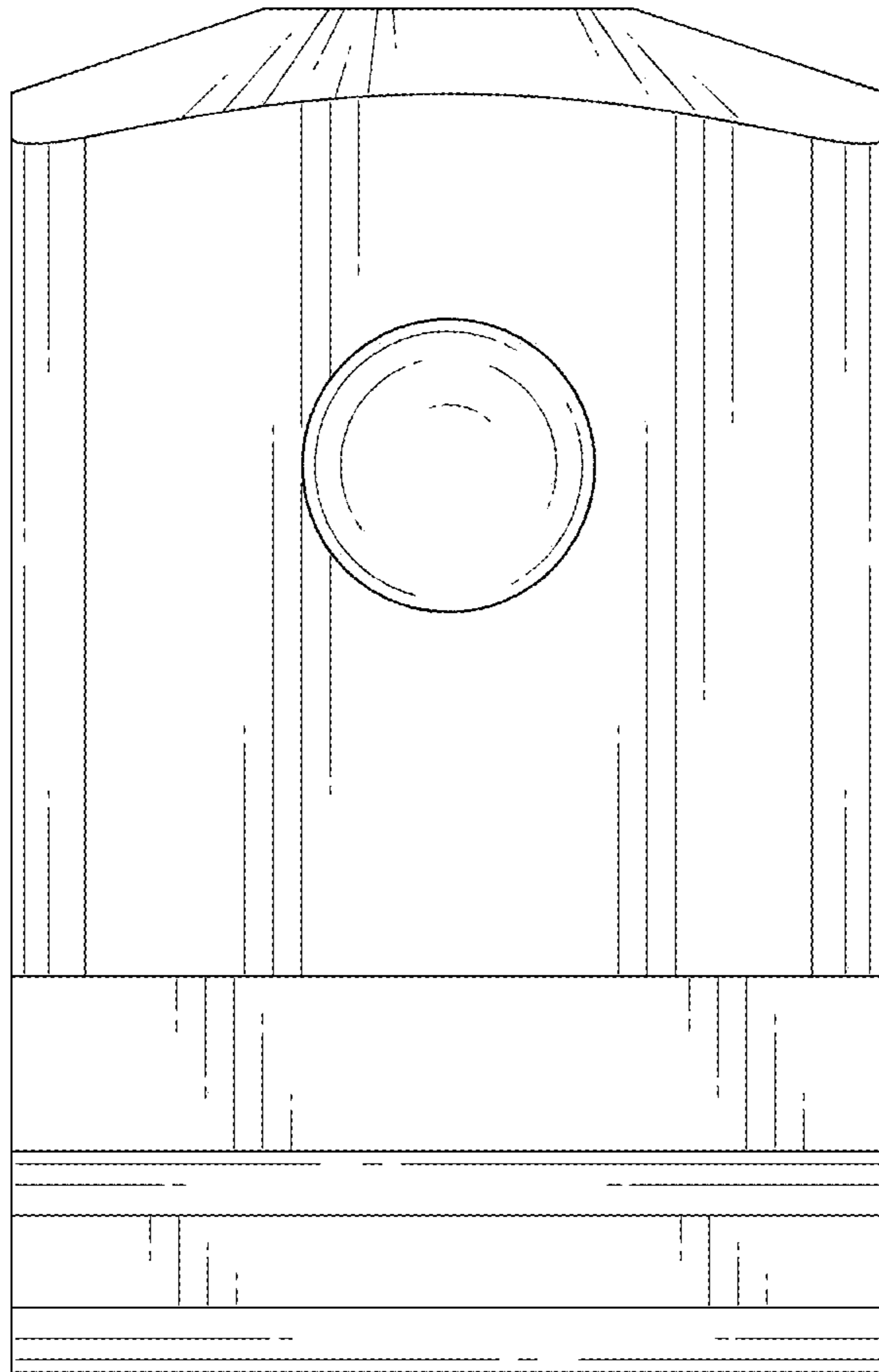


FIG. 3

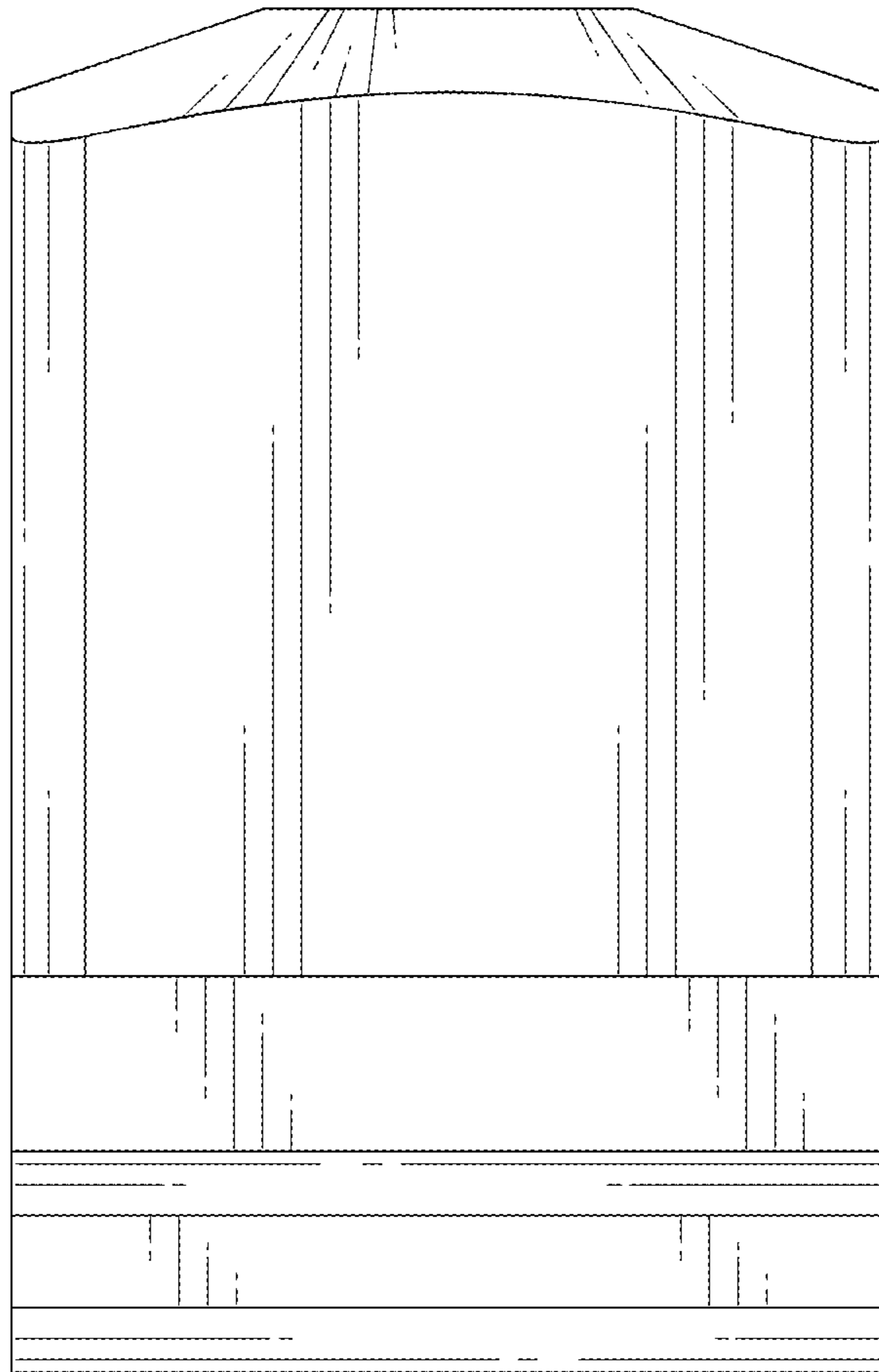


FIG. 4

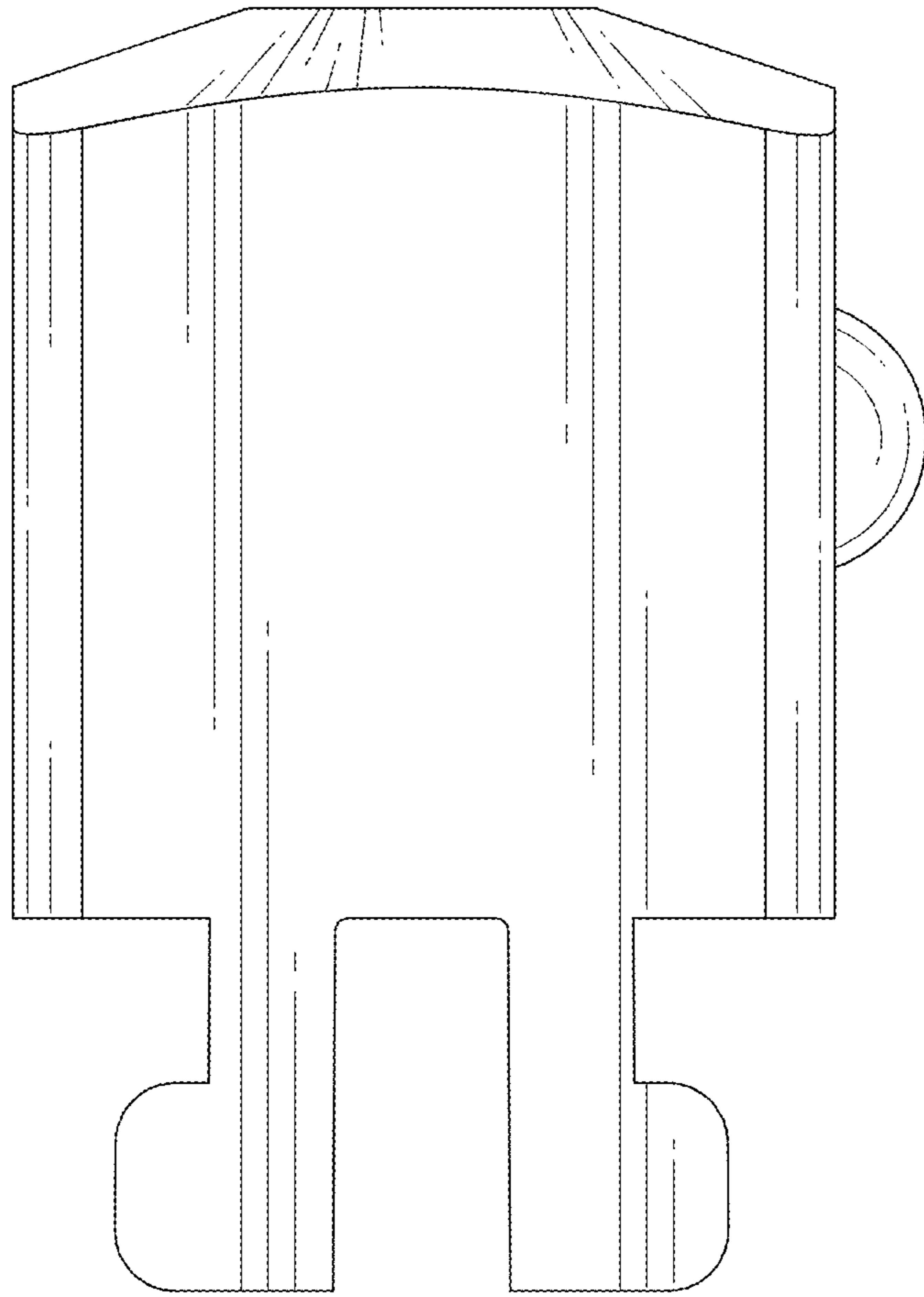


FIG. 5



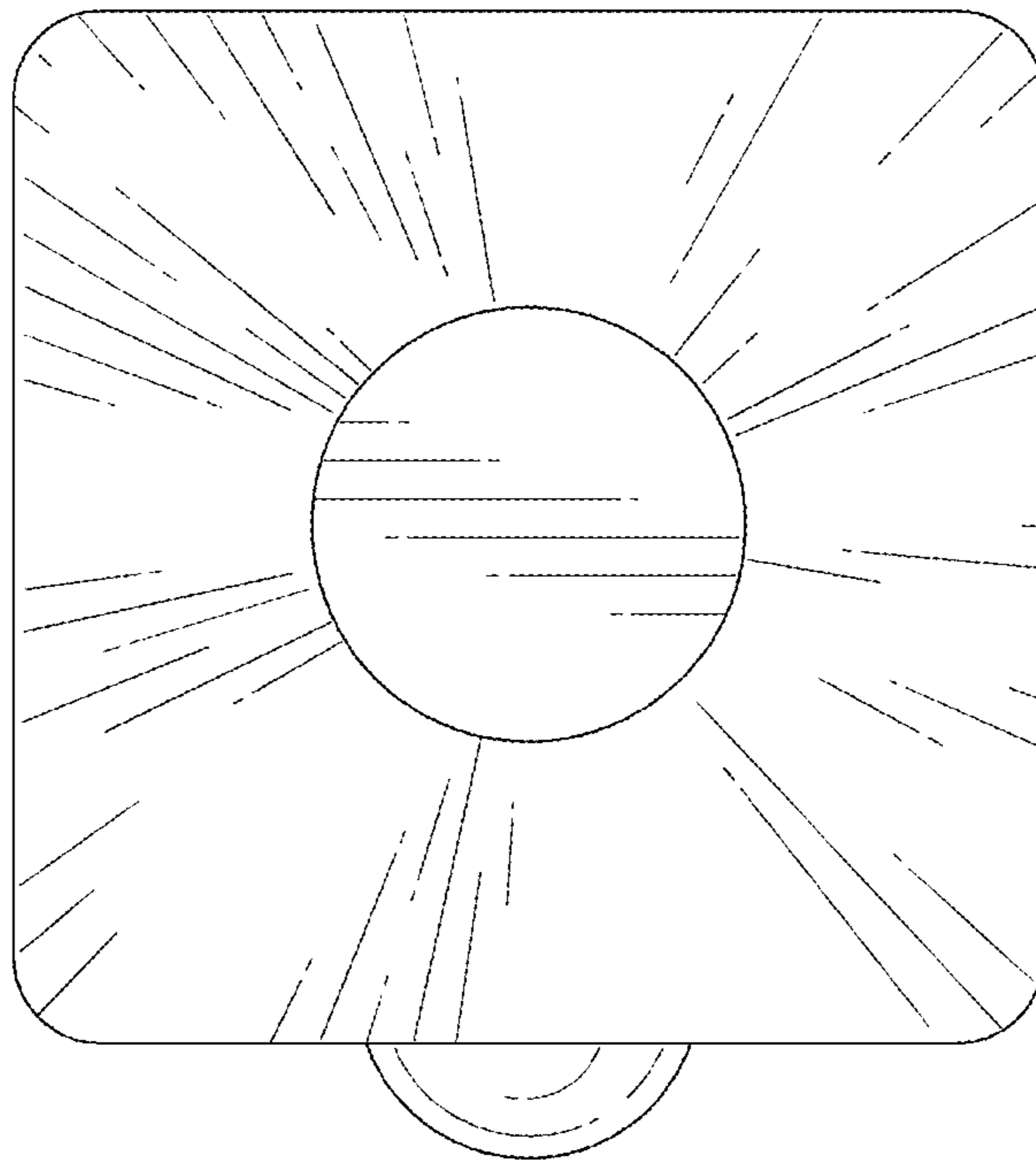


FIG. 6

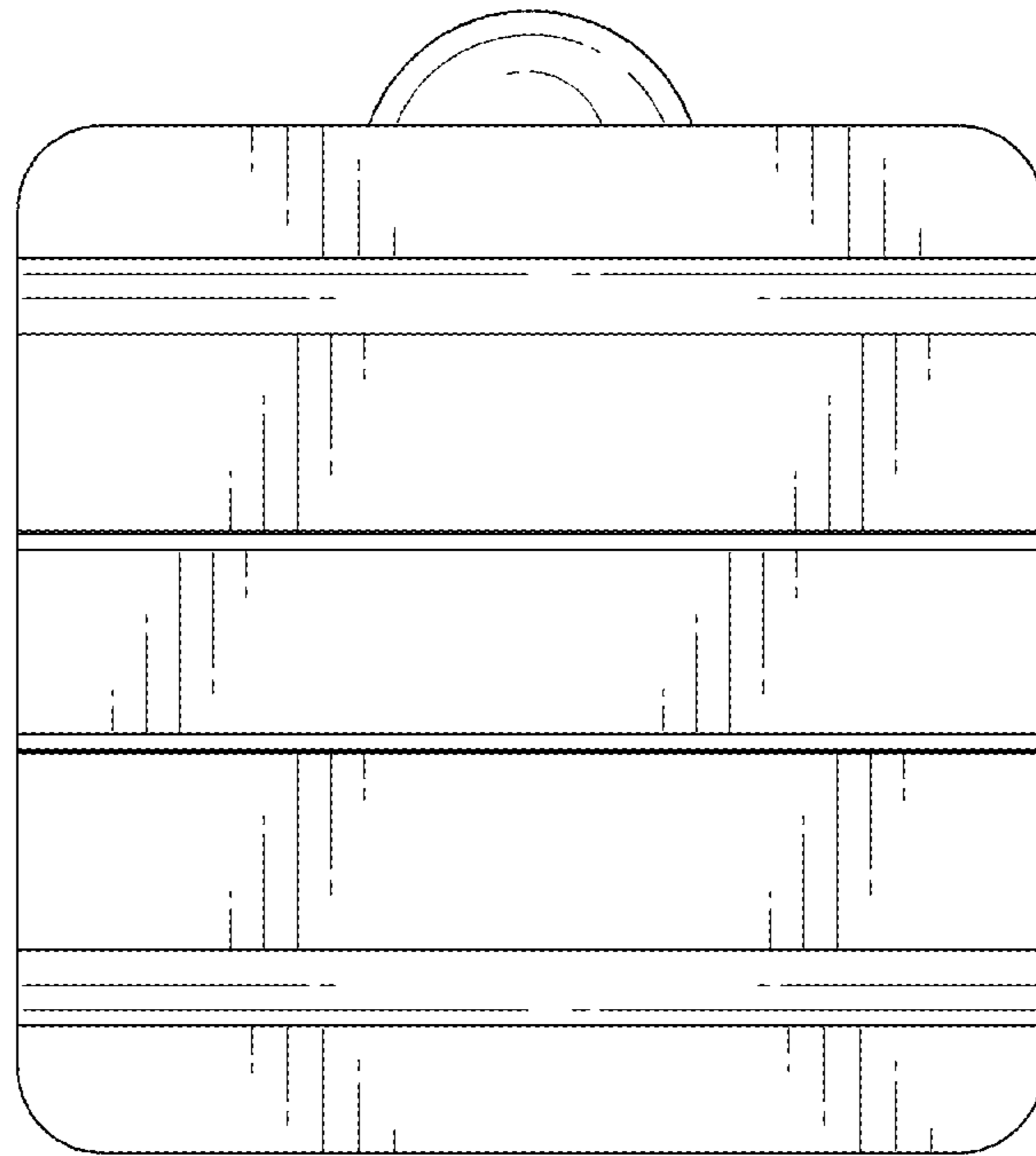


FIG. 7