



US00D904151S

(12) **United States Design Patent** (10) **Patent No.:** **US D904,151 S**
Hochstrasser (45) **Date of Patent:** **** Dec. 8, 2020**

(54) **STRAPPING DEVICE**

- (71) Applicant: **Signode Industrial Group LLC**,
Glenview, IL (US)
- (72) Inventor: **Samuel Hochstrasser**, Fällanden (CH)
- (73) Assignee: **Signode Industrial Group LLC**,
Glenview, IL (US)
- (**) Term: **15 Years**
- (21) Appl. No.: **29/739,016**
- (22) Filed: **Jun. 22, 2020**

Related U.S. Application Data

- (63) Continuation of application No. 29/722,914, filed on Feb. 3, 2020, now Pat. No. Des. 889,229, which is a continuation of application No. 29/705,106, filed on Sep. 10, 2019, now Pat. No. Des. 874,897, which is
(Continued)

(30) **Foreign Application Priority Data**

- Jan. 30, 2017 (DE) 40 2017 200 401
- (51) **LOC (12) Cl.** **08-01**
- (52) **U.S. Cl.**
USPC **D8/61; D15/145**
- (58) **Field of Classification Search**
USPC D8/41, 61, 67; D15/122, 145, 146, 199
CPC B65B 13/00; B65B 13/06; B65B 13/16;
B65B 13/18; B65B 13/32; B65B 13/285;
(Continued)

(56) **References Cited**

U.S. PATENT DOCUMENTS

- 2,194,108 A 3/1940 Parvin
 - 2,707,429 A 5/1955 Leslie, II et al.
 - 3,013,589 A 12/1961 Holford
- (Continued)

FOREIGN PATENT DOCUMENTS

- CA 2432353 A1 12/2003
 - CH 705745 A2 5/2013
- (Continued)

OTHER PUBLICATIONS

“Evaluation Report of Design Patent”, CNIPA, from corresponding Chinese Design Patent No. 201730340255.7, Jul. 23, 2019.
(Continued)

Primary Examiner — Patricia A Palasik
(74) *Attorney, Agent, or Firm* — Neal, Gerber & Eisenberg LLP

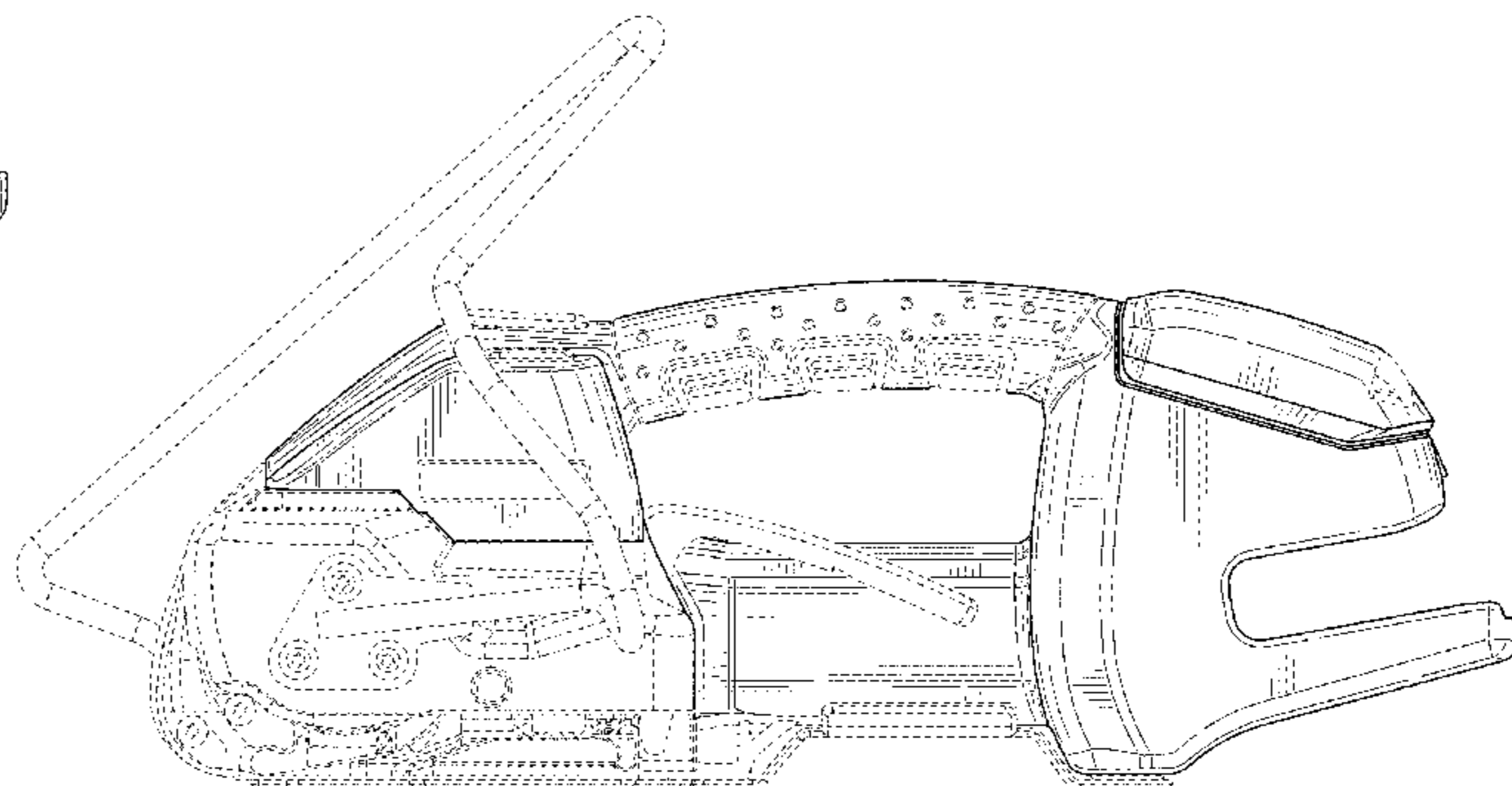
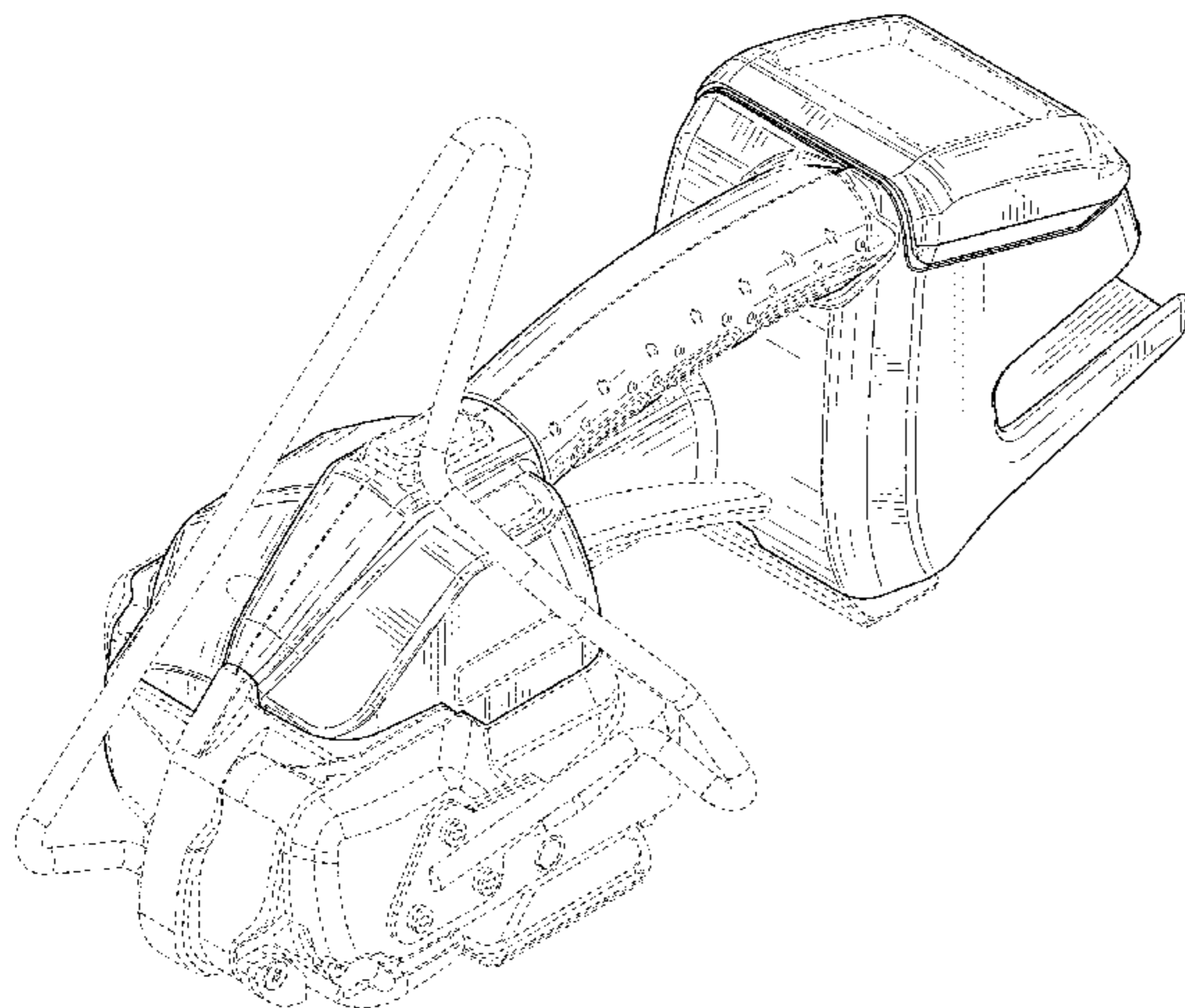
(57) **CLAIM**

The ornamental design for a strapping device, as shown and described.

DESCRIPTION

FIG. 1 is a front top right-side perspective view of a strapping device of one embodiment of my new design.
 FIG. 2 is a front elevational view of the strapping device of FIG. 1.
 FIG. 3 is a rear elevational view of the strapping device of FIG. 1.
 FIG. 4 is a right-side elevational view of the strapping device of FIG. 1.
 FIG. 5 is a left-side elevational view of the strapping device of FIG. 1.
 FIG. 6 is a top plan view of the strapping device of FIG. 1.
 FIG. 7 is a bottom plan view of the strapping device of FIG. 1; and,
 FIG. 8 is a rear bottom left-side perspective view of the strapping device of FIG. 1.
 The broken lines in the drawings depict portions of the strapping device which form no part of the claimed design.

1 Claim, 8 Drawing Sheets



Related U.S. Application Data

a continuation of application No. 29/598,733, filed on Mar. 28, 2017, now Pat. No. Des. 864,688.

- (58) **Field of Classification Search**
 CPC B65B 57/04; B65B 59/04; B65B 2210/12; E04G 21/122; E04G 21/123
 See application file for complete search history.

- (56) **References Cited**

U.S. PATENT DOCUMENTS

3,120,171	A	2/1964	Hall et al.
3,232,217	A	2/1966	Harmon et al.
3,367,374	A	2/1968	Meier et al.
3,654,033	A	4/1972	Angarola et al.
4,011,807	A	3/1977	Kobiella
4,015,643	A	4/1977	Cheung
4,050,372	A	9/1977	Kobiella
4,240,865	A	12/1980	Kyts
4,313,779	A	2/1982	Nix
4,450,032	A	5/1984	Wehr
4,495,972	A	1/1985	Walker
4,502,911	A	3/1985	Discavage
4,534,817	A	8/1985	O'Sullivan
4,535,730	A	8/1985	Allen
4,572,064	A	2/1986	Burton
4,707,390	A	11/1987	Cheung
4,724,659	A	2/1988	Mori et al.
D295,525	S	5/1988	Sakaki et al.
4,776,905	A	10/1988	Cheung et al.
D307,435	S	4/1990	Sakaki et al.
D308,977	S	7/1990	Sakaki
5,133,532	A	7/1992	Figiel et al.
5,146,847	A	9/1992	Lyon et al.
5,155,982	A	10/1992	Boek et al.
5,159,218	A	10/1992	Murry et al.
5,267,508	A	12/1993	Yoshino
5,379,576	A	1/1995	Koyama
5,516,022	A	5/1996	Annis
5,651,306	A	7/1997	Hoshino
5,689,943	A	11/1997	Wehr
5,690,023	A	11/1997	Stamm et al.
5,798,596	A	8/1998	Lordo
5,809,873	A	9/1998	Chak et al.
5,944,064	A	8/1999	Saito et al.
6,003,578	A	12/1999	Chang
D424,078	S	5/2000	Chin-Chang
6,109,325	A	8/2000	Chang
6,308,760	B1	10/2001	Finzo et al.
6,332,306	B1	12/2001	Finzo et al.
6,367,732	B1	4/2002	Bobren et al.
6,405,766	B1	6/2002	Benjey
6,463,721	B1	10/2002	Su et al.
6,516,715	B1	2/2003	Reiche
6,543,341	B2	4/2003	Lopez
6,568,159	B2	5/2003	Kawai et al.
6,578,337	B2	6/2003	Scholl et al.
6,606,766	B2	8/2003	Ko
6,644,713	B2	11/2003	Del et al.
6,711,883	B2	3/2004	Schwede et al.
D488,822	S	4/2004	Shibazaki et al.
6,715,375	B2	4/2004	Nestler
6,729,357	B2	5/2004	Marsche
6,732,638	B1	5/2004	Rometty et al.
6,745,678	B1	6/2004	Liu et al.
6,786,026	B2	9/2004	Helmrich
6,789,469	B1	9/2004	Tipton et al.
6,817,159	B2	11/2004	Sakaki et al.
6,820,402	B1	11/2004	Haberstroh et al.
6,857,252	B2	2/2005	Haberstroh et al.
6,877,420	B2	4/2005	Sickels
6,918,235	B2	7/2005	Nix
6,931,986	B1	8/2005	Liu et al.
6,955,119	B2	10/2005	Bobren et al.
6,994,019	B1	2/2006	Liu et al.
7,011,000	B2	3/2006	Kushida et al.

7,073,431	B1	7/2006	Chen
7,121,194	B2	10/2006	Pearson et al.
D546,852	S	7/2007	Shimojima
7,240,612	B1	7/2007	Kirar et al.
7,249,862	B2	7/2007	Shirane
7,263,928	B1	9/2007	Holden et al.
7,270,054	B2	9/2007	Bobren et al.
7,270,055	B1	9/2007	Haberstroh et al.
7,312,609	B2	12/2007	Schmollngruber et al.
7,454,877	B2	11/2008	Morrison
7,456,608	B2	11/2008	Kageler et al.
D629,321	S	12/2010	Neeser et al.
7,861,649	B2	1/2011	Bobren et al.
D651,498	S	1/2012	Neeser et al.
D653,923	S	2/2012	Neeser et al.
8,198,839	B2	6/2012	Katou et al.
8,378,600	B2	2/2013	Katou et al.
8,522,678	B2	9/2013	Liu et al.
8,607,695	B2	12/2013	Schwede
8,689,684	B2	4/2014	Haberstroh et al.
8,931,404	B2	1/2015	Lai
8,931,405	B2	1/2015	Lai
8,967,217	B2	3/2015	Gardner et al.
9,174,752	B2	11/2015	Neeser et al.
9,193,486	B2	11/2015	Neeser et al.
9,254,932	B2	2/2016	Neeser et al.
9,284,080	B2	3/2016	Neeser et al.
9,315,283	B2	4/2016	Neeser et al.
9,745,090	B2	8/2017	Haberstroh et al.
9,932,135	B2	4/2018	Finzo et al.
10,322,830	B2	6/2019	Höhn et al.
D889,229	S *	7/2020	Hochstrasser D8/61
2002/0100146	A1	8/2002	Ko
2002/0129717	A1	9/2002	Helland et al.
2002/0134811	A1	9/2002	Napier et al.
2003/0010223	A1	1/2003	Lopez
2003/0024217	A1	2/2003	Schwede et al.
2003/0025610	A1	2/2003	Helmrich
2003/0145900	A1	8/2003	Jensen et al.
2004/0206251	A1	10/2004	Nix
2004/0237806	A1	12/2004	Sickels
2004/0244605	A1	12/2004	Pearson et al.
2004/0255562	A1	12/2004	Haberstroh et al.
2004/0255797	A1	12/2004	Bobren et al.
2005/0279198	A1	12/2005	Kushida et al.
2006/0108180	A1	5/2006	Grach et al.
2006/0192527	A1	8/2006	Kageler et al.
2007/0163452	A1	7/2007	Bobren et al.
2008/0072539	A1	3/2008	Morrison
2009/0013656	A1	1/2009	Nasiatka et al.
2009/0114308	A1	5/2009	Nelson et al.
2010/0154661	A1	6/2010	Bobren et al.
2011/0056389	A1	3/2011	Neeser et al.
2011/0056390	A1	3/2011	Neeser et al.
2011/0056391	A1	3/2011	Neeser et al.
2011/0056392	A1	3/2011	Neeser et al.
2011/0100233	A1	5/2011	Neeser et al.
2011/0146505	A1	6/2011	Schwede
2011/0253480	A1	10/2011	Goodman et al.
2012/0017780	A1	1/2012	Haberstroh et al.
2012/0160364	A1	6/2012	Katou et al.
2012/0210682	A1	8/2012	Gardner et al.
2012/0216688	A1	8/2012	Liu et al.
2013/0014653	A1	1/2013	Lai
2013/0014654	A1	1/2013	Lai
2013/0098252	A1	4/2013	Haberstroh et al.
2013/0276415	A1	10/2013	Haberstroh et al.
2014/0083310	A1	3/2014	Hoehn et al.
2014/0290179	A1	10/2014	Keller
2015/0210411	A1	7/2015	Finzo et al.
2016/0107775	A1	4/2016	Amacker et al.

FOREIGN PATENT DOCUMENTS

CN	1151129	A	6/1997
CN	2266566	Y	11/1997
CN	1203878	A	1/1999
CN	1253099	A	5/2000
CN	3260241		10/2002

(56)

References Cited

FOREIGN PATENT DOCUMENTS

CN 1418163 A 5/2003
 CN 1558842 A 12/2004
 CN 1660675 A 8/2005
 CN 3534469 6/2006
 CN 1859999 A 11/2006
 CN 101134308 A 3/2008
 CN 101164416 A 4/2008
 CN 101287578 A 10/2008
 CN 101486329 A 7/2009
 CN 301044699 10/2009
 CN 201411061 Y 2/2010
 CN 101678903 A 3/2010
 CN 301199818 S 5/2010
 CN 101870367 A 10/2010
 CN 301492534 S 3/2011
 CN 102026873 A 4/2011
 CN 102026874 A 4/2011
 CN 102026875 A 4/2011
 CN 202100012 U 1/2012
 CN 302836585 S 6/2014
 CN 303949899 S 11/2016
 CN 303979302 S 12/2016
 DE 3916355 A1 12/1989
 DE 4014305 A1 11/1991
 DE 19751861 A1 1/1999
 DE 10026200 A1 11/2001
 DE 20321137 U1 1/2006
 DE 102005049130 A1 4/2007
 DE 102006007990 A1 8/2007
 DE 102009047443 A1 6/2011
 DE 202011050797 U1 11/2011
 EP 0095643 A2 12/1983
 EP 0480627 A1 4/1992
 EP 0603868 A1 6/1994
 EP 0659525 A2 6/1995
 EP 0744343 A1 11/1996
 EP 0949146 A1 10/1999
 EP 0997377 A1 5/2000
 EP 0999133 A1 5/2000
 EP 1177978 A1 2/2002
 EP 1316506 A1 6/2003
 EP 1413519 A1 4/2004
 EP 1837279 A1 9/2007
 EP 2271553 B1 4/2013
 GB 1161827 A 8/1969
 GB 2041869 A 9/1980
 GB 2481724 A 1/2012
 JP S5290398 U 7/1977
 JP S541238 B1 1/1979
 JP S5638220 A 4/1981
 JP S6322320 A 1/1988
 JP H05198241 A 8/1993
 JP H07300108 A 11/1995
 JP H08258808 A 10/1996
 JP H08324506 A 12/1996
 JP H09283103 A 10/1997
 JP 3044132 B2 5/2000
 JP 2000128113 A 5/2000
 JP 2000128115 A 5/2000
 JP 3227693 B2 9/2001

JP 3242081 B2 10/2001
 JP 2002235830 A 8/2002
 JP 2003170906 A 6/2003
 JP 2003231291 A 8/2003
 JP 2003348899 A 12/2003
 JP 3548622 B2 4/2004
 JP 2004108593 A 4/2004
 JP 2004241150 A 8/2004
 JP 2004323111 A 11/2004
 JP 2007276042 A 10/2007
 JP 4406016 B2 11/2009
 KR 840002211 B1 12/1984
 KR 20000029337 A 5/2000
 RU 1772784 C 10/1992
 RU 2118277 C1 8/1998
 RU 2161773 C2 1/2001
 RU 2004115639 A 1/2006
 RU 2355821 C1 5/2009
 SU 1134117 A3 1/1985
 WO 0189929 A1 11/2001
 WO 2006048738 A1 5/2006
 WO 2007116914 A1 10/2007
 WO 2009129633 A1 10/2009
 WO 2009129636 A1 10/2009

OTHER PUBLICATIONS

“Orgapack ORT-250 Automatic Sealless Combo Strapping Tool”, located online at www.uline.com/Product/Detail/H-2385/Poly-Strapping_Tools/Orgapack-ORT-250-Automatic-Sealless-Combo-Strapping-Tool.com, available prior to Jan. 30, 2017 (1 page).
 Bender, “Lithium Ion Technology: Shaping Power Tool”, Air Conditioning, Heating, and Refrigeration News, vol. 228, Issue 14, p. 18 (3 pages), Jul. 31, 2006.
 Emandi, Ali, “Brushless DC Motor Drives”, Energy-Efficient Electrical Motors, 3rd ed., Para. 270-272, CRC Press & Marcel Dekker (3 pages).
 Orgapack GmbH, “OR-T 100, Battery-Hand Tool for Plastic Strapping”, Operating and Safety Instructions (53 pages), Nov. 1, 2004.
 Orgapack GmbH, “OR-T 120, Battery-Operated Hand Tool for Plastic Strapping”, Operating Instructions (36 pages), Sep. 1, 2012.
 Orgapack GmbH, “OR-T 200, Battery-Hand Tool for Plastic Strapping”, Operating and Safety Instructions (53 pages), Feb. 1, 2004.
 Orgapack GmbH, “OR-T 250, Battery-Hand Tool for Plastic Strapping”, Operating Instructions (36 pages), Sep. 1, 2009.
 Orgapack GmbH, “OR-T 300, Battery-Hand Tool for Plastic Strapping”, Operating and Safety Instructions (53 pages), Mar. 1, 2005.
 Orgapack GmbH, “OR-T 400, Battery-Hand Tool for Plastic Strapping”, Operating Instructions (19 pages), Sep. 1, 2009.
 Orgapack GmbH, “OR-T 50, Hand Tool for Plastic Strapping”, Operating and Safety Instructions (53 pages), May 1, 2006.
 Orgapack GmbH, “OR-T 83, Hand Tool for Plastic Strapping”, Operating Instructions (58 pages), Aug. 1, 2000.
 Orgapack GmbH, “OR-T 85, Hand Tool for Plastic Strapping”, Operating Instructions (58 pages), Jun. 1, 2000.
 Orgapack GmbH, “OR-T 86, Hand Tool for Plastic Strapping”, Operating Instructions (58 pages), Aug. 1, 1999.
 Orgapack GmbH, “OR-T 87, Hand Tool for Plastic Strapping”, Operating and Safety Instructions (63 pages), May 1, 2002.

* cited by examiner

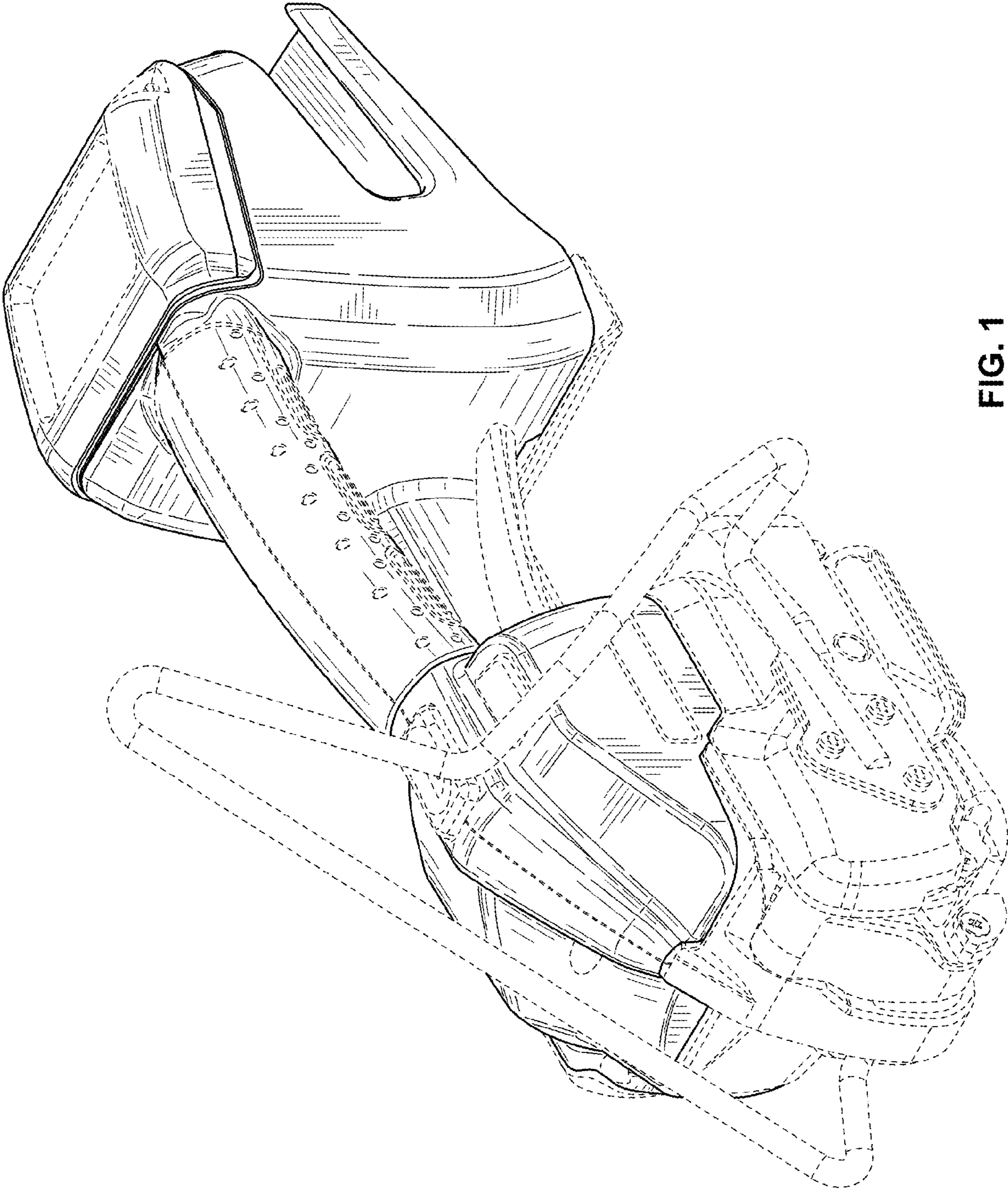


FIG. 1

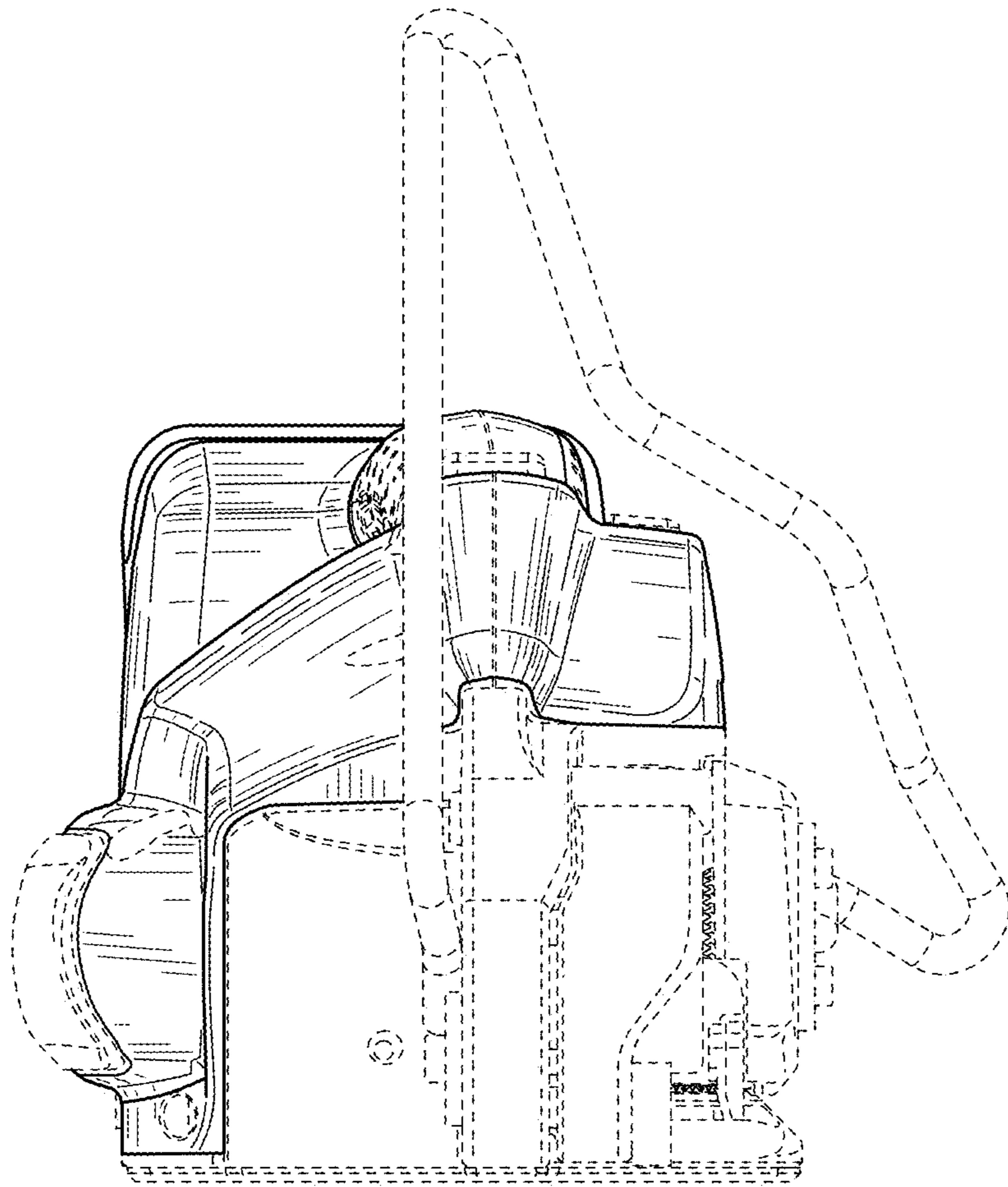


FIG. 2

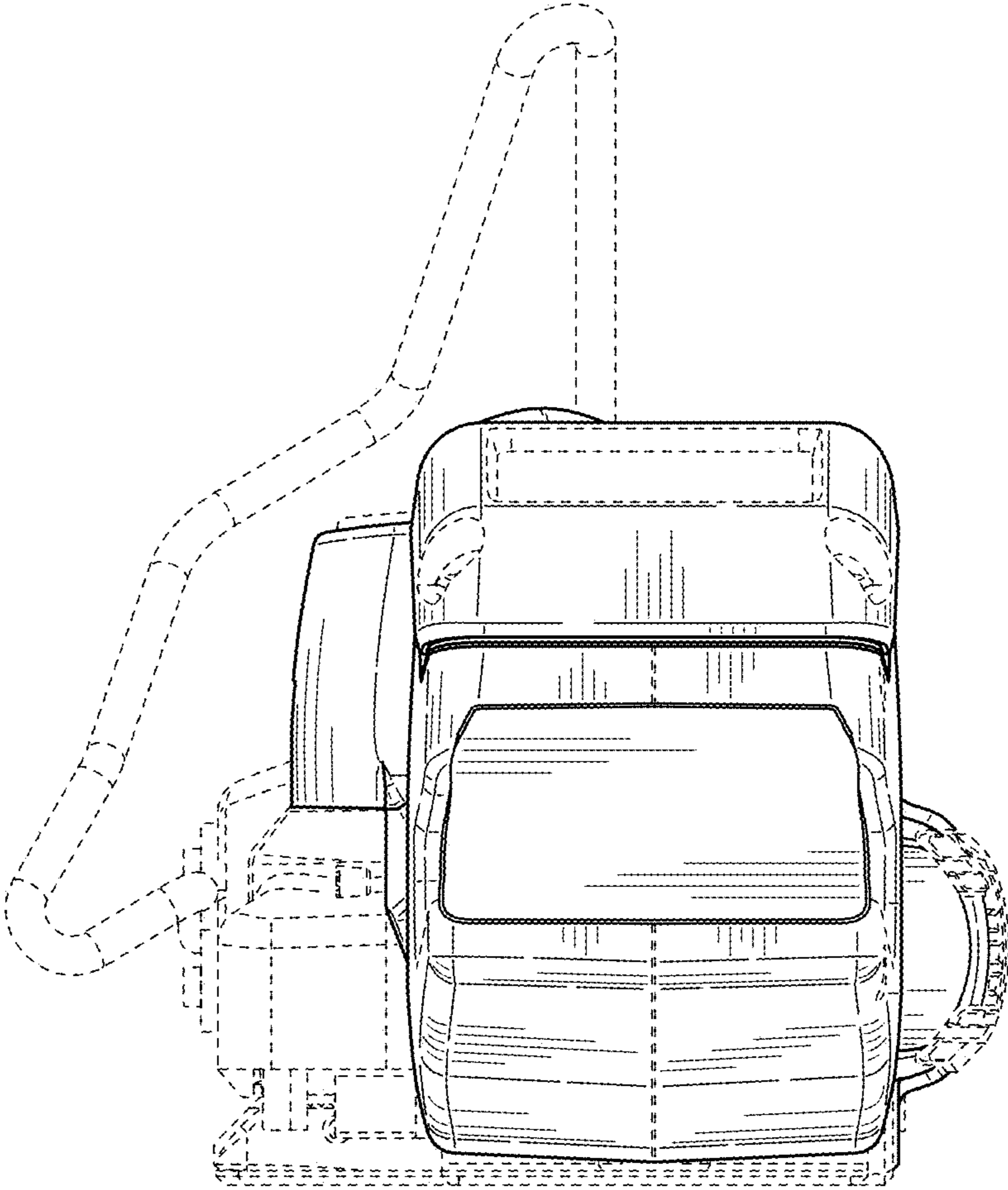


FIG. 3

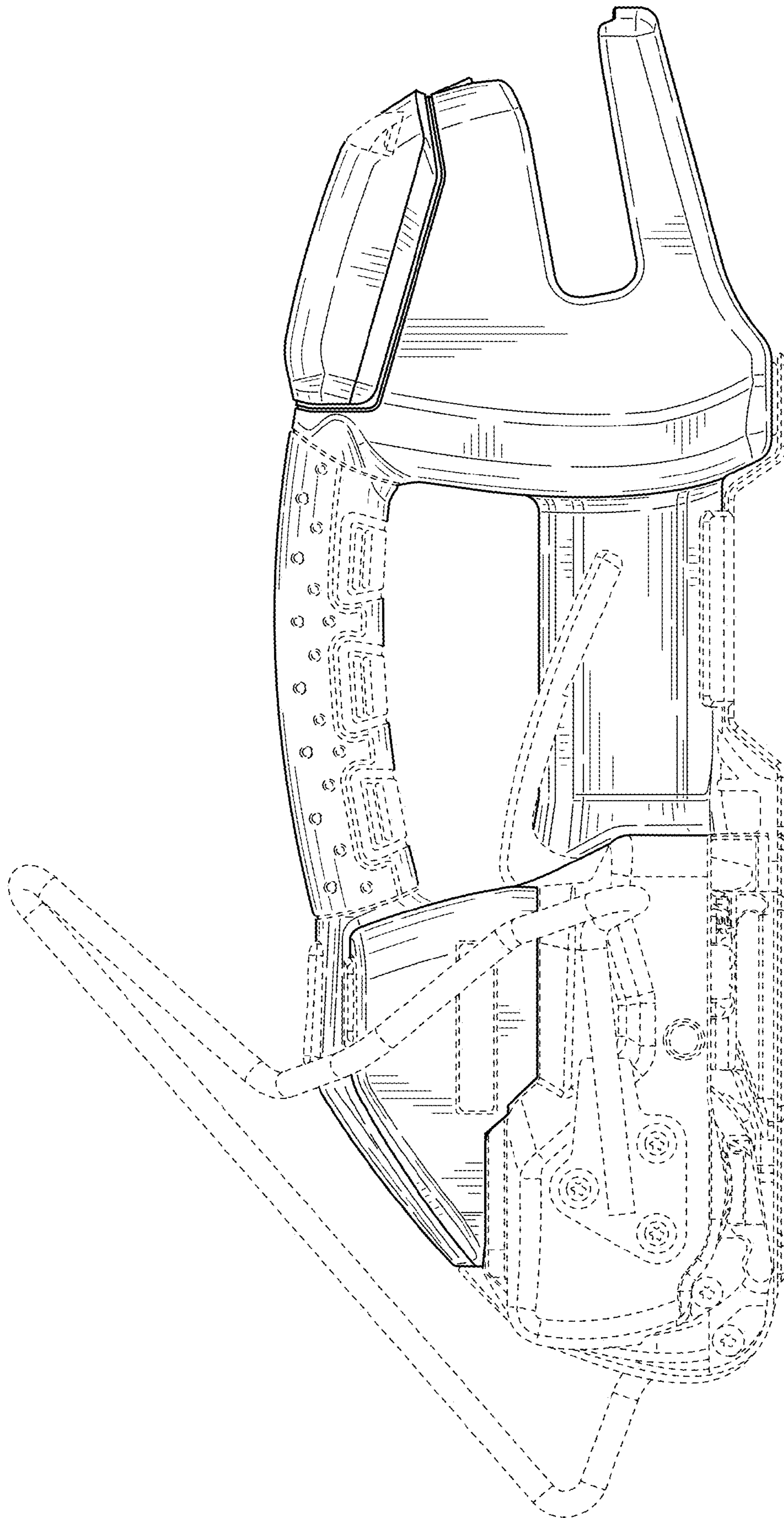


FIG. 4

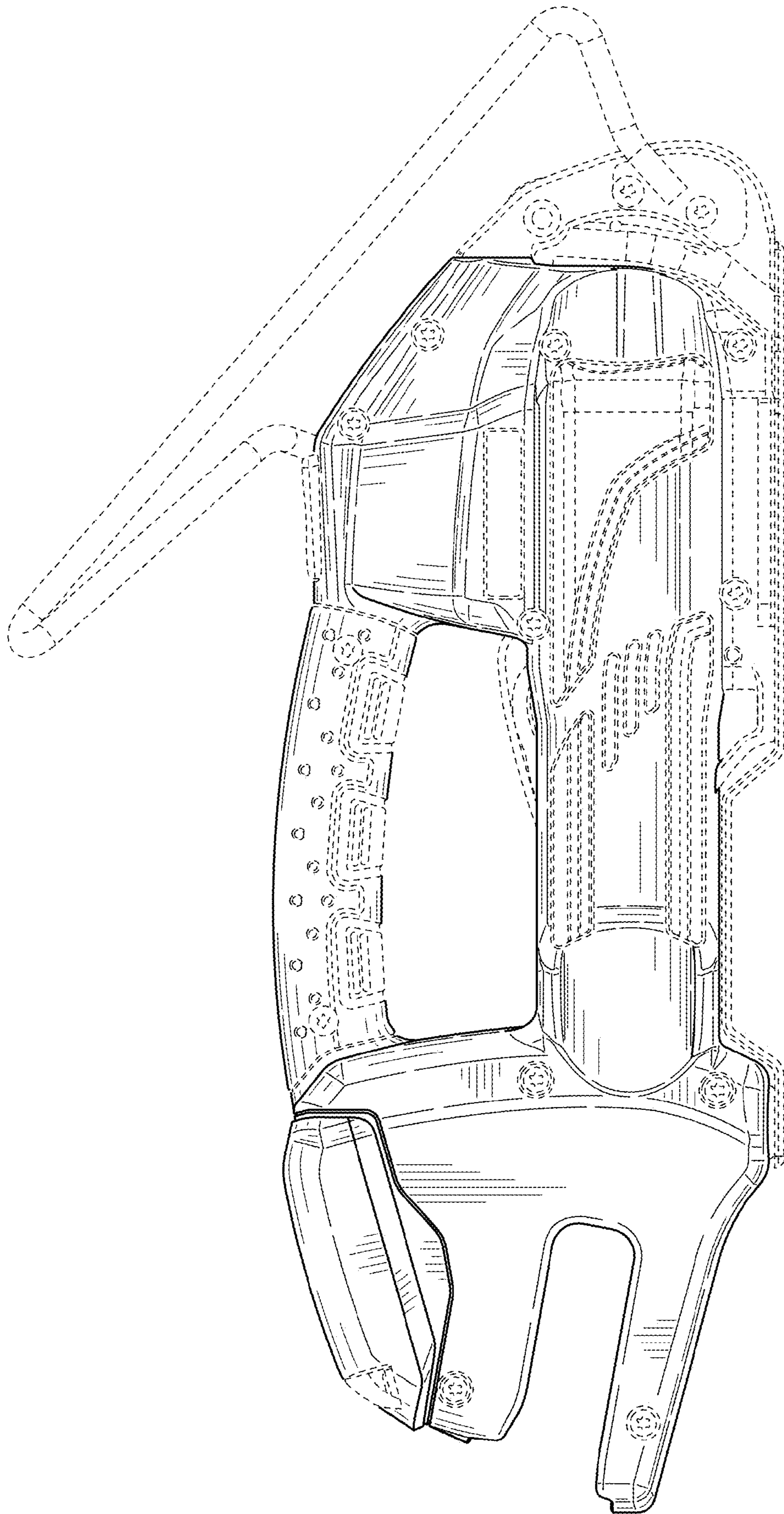


FIG. 5

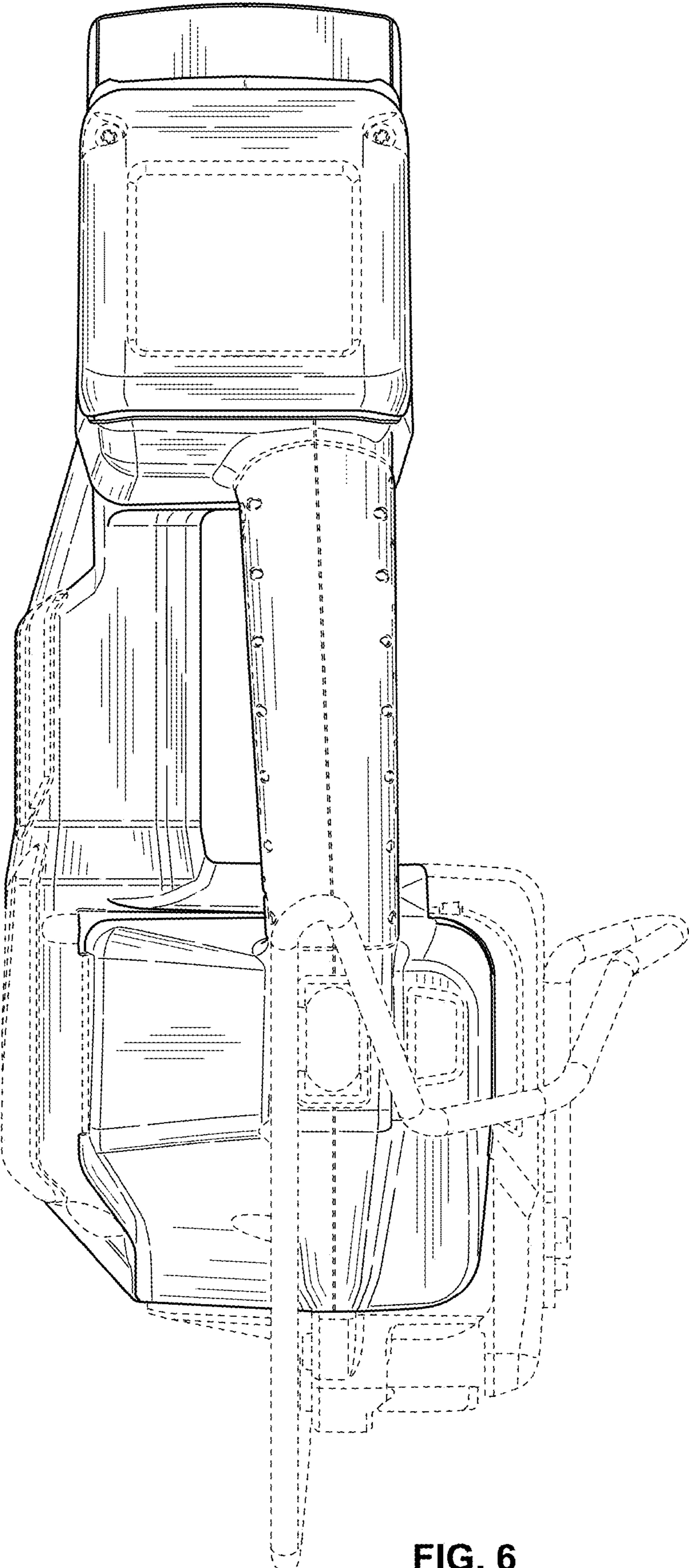


FIG. 6

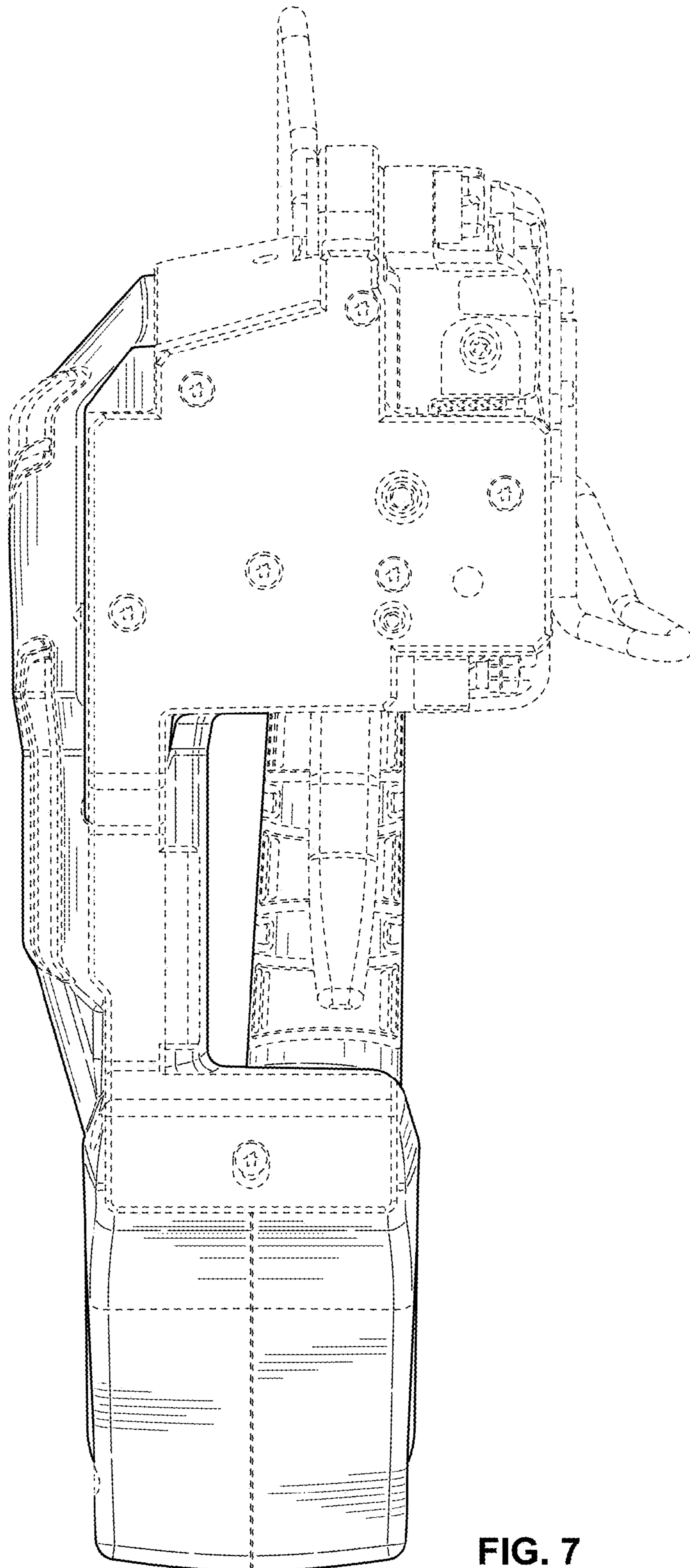


FIG. 7

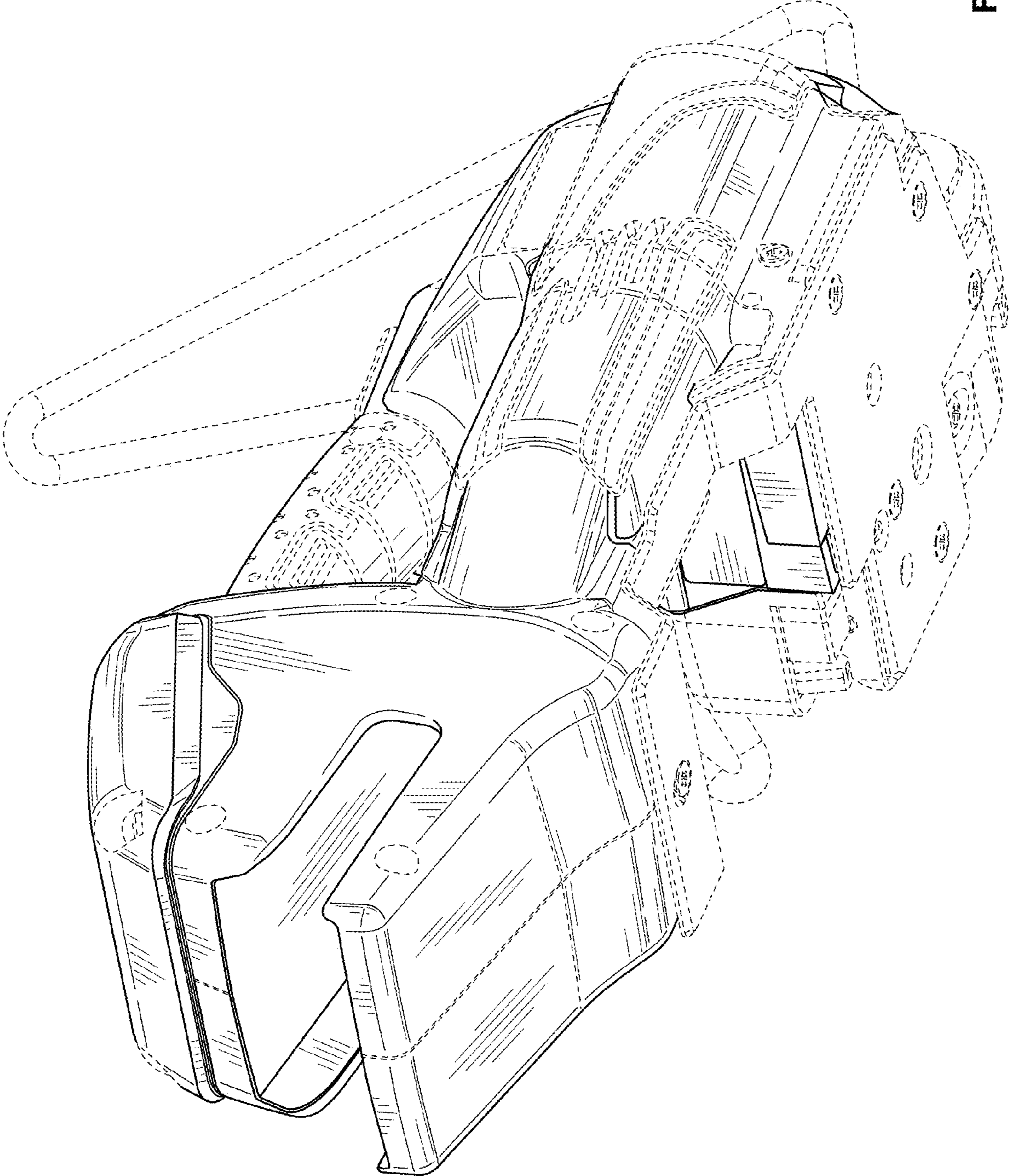


FIG. 8