



US00D904150S

(12) **United States Design Patent** (10) **Patent No.:** **US D904,150 S**
Seferi (45) **Date of Patent:** **** Dec. 8, 2020**

(54) **HUB FOR CUTTING DEVICE** 8,555,754 B2 * 10/2013 Chen B25B 7/18
81/416
(71) Applicant: **Acme United Corporation**, Fairfield, D701,738 S * 4/2014 Forsell D8/57
CT (US) D717,623 S 11/2014 Savolainen et al.
D721,935 S * 2/2015 Farnworth D8/57
(72) Inventor: **Nicholas L. Seferi**, Southbury, CT (US) D722,851 S * 2/2015 Constantine D8/52
D828,737 S * 9/2018 Constantine D8/52
D863,010 S * 10/2019 Racamier D8/57
(73) Assignee: **Acme United Corporation**, Fairfield, D879,571 S * 3/2020 Thomas D8/52
CT (US) 2019/0270208 A1 * 9/2019 Seferi B26B 13/28
2019/0270209 A1 * 9/2019 Seferi B26B 13/20

(**) Term: **15 Years**

(21) Appl. No.: **29/638,846**

(22) Filed: **Mar. 1, 2018**

(51) **LOC (12) Cl.** **08-03**

(52) **U.S. Cl.**
USPC **D8/57**

(58) **Field of Classification Search**
USPC D8/4, 5, 51-58
CPC B26B 13/28
See application file for complete search history.

(56) **References Cited**

U.S. PATENT DOCUMENTS

2,640,262 A * 6/1953 Spon A01G 3/02
30/270
D335,807 S * 5/1993 Birkholz D8/57
5,319,854 A * 6/1994 Pracht B26B 13/28
30/194
D409,465 S * 5/1999 Olix D8/57
D442,046 S * 5/2001 Huang D8/57
D522,331 S * 6/2006 Peterson D8/57
D548,555 S * 8/2007 Brady D8/52
D571,169 S * 6/2008 Pollock D8/5
7,454,838 B2 11/2008 Gianola
D591,123 S * 4/2009 Peterson D8/57
7,640,667 B2 * 1/2010 Pollock A01G 3/02
30/267

* cited by examiner

Primary Examiner — Deanna L Pratt

(74) *Attorney, Agent, or Firm* — Alix, Yale & Ristas, LLP

(57) **CLAIM**

The ornamental design for a hub for cutting device, as shown and described.

DESCRIPTION

FIG. 1 is a perspective of a hub for cutting device showing the new design;

FIG. 2 is a front view thereof;

FIG. 3 is a rear view thereof;

FIG. 4 is a left side view thereof;

FIG. 5 is a right side view thereof;

FIG. 6 is an enlarged top plan view thereof;

FIG. 7 is an enlarged bottom plan view thereof;

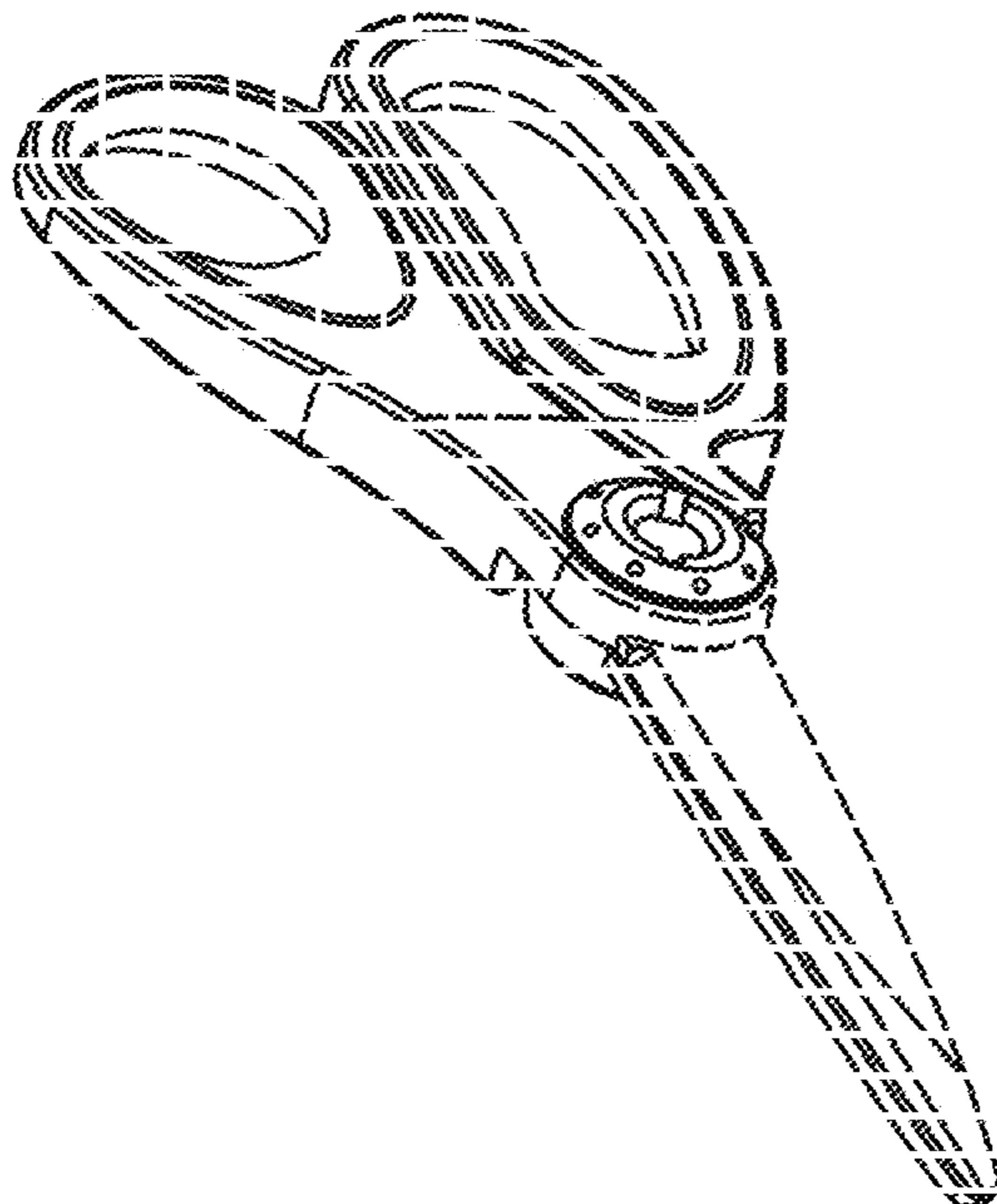
FIG. 8 is a front view thereof showing various section lines;

FIG. 9 is an enlarged sectional view taken along the line A-A of FIG. 8; and,

FIG. 10 is an enlarged sectional view taken along the line B-B of FIG. 8.

The portions shown in broken lines show the preferred application in connection with a pair of scissors and the broken line portions form no part of the design thereof.

1 Claim, 7 Drawing Sheets



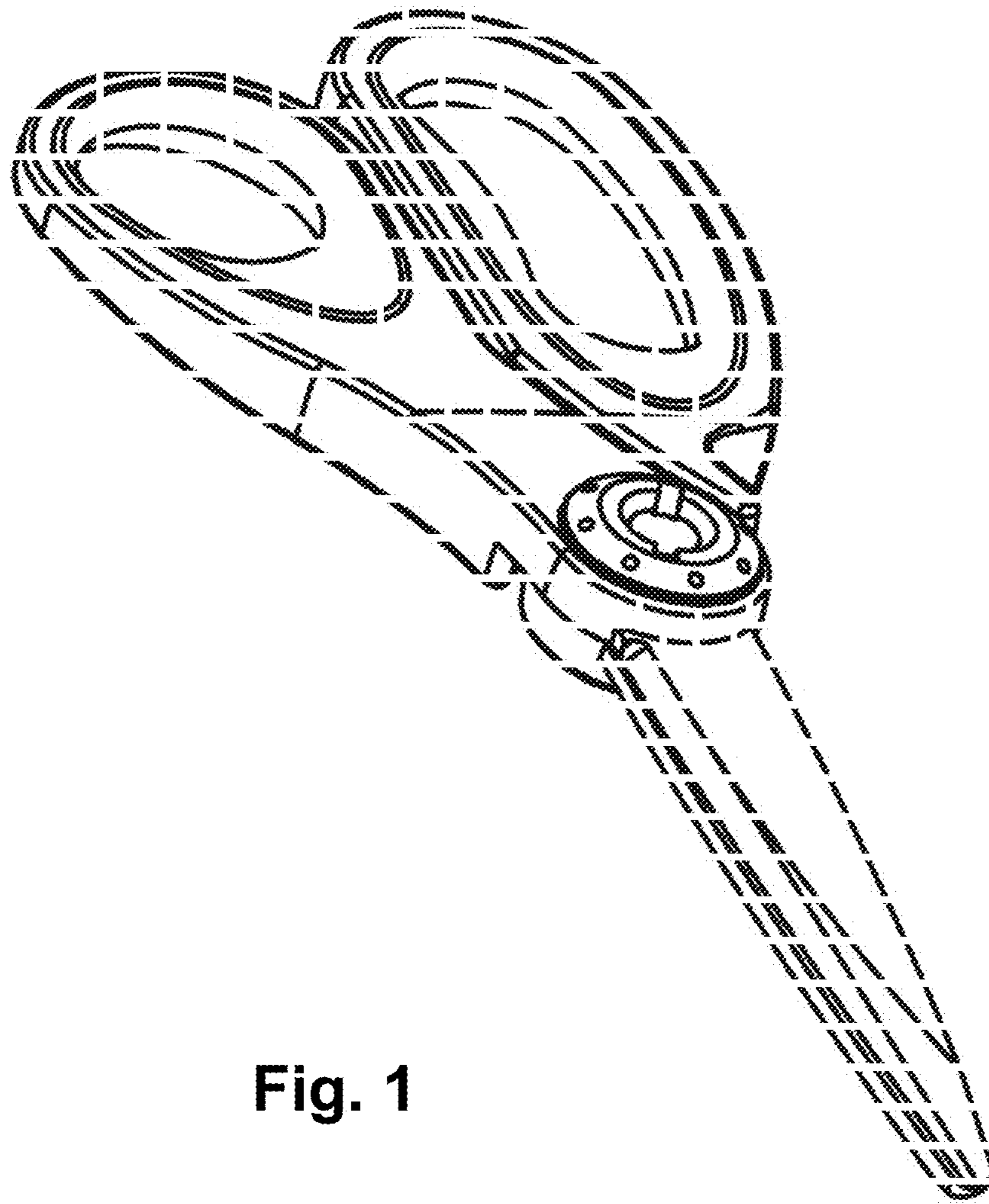


Fig. 1

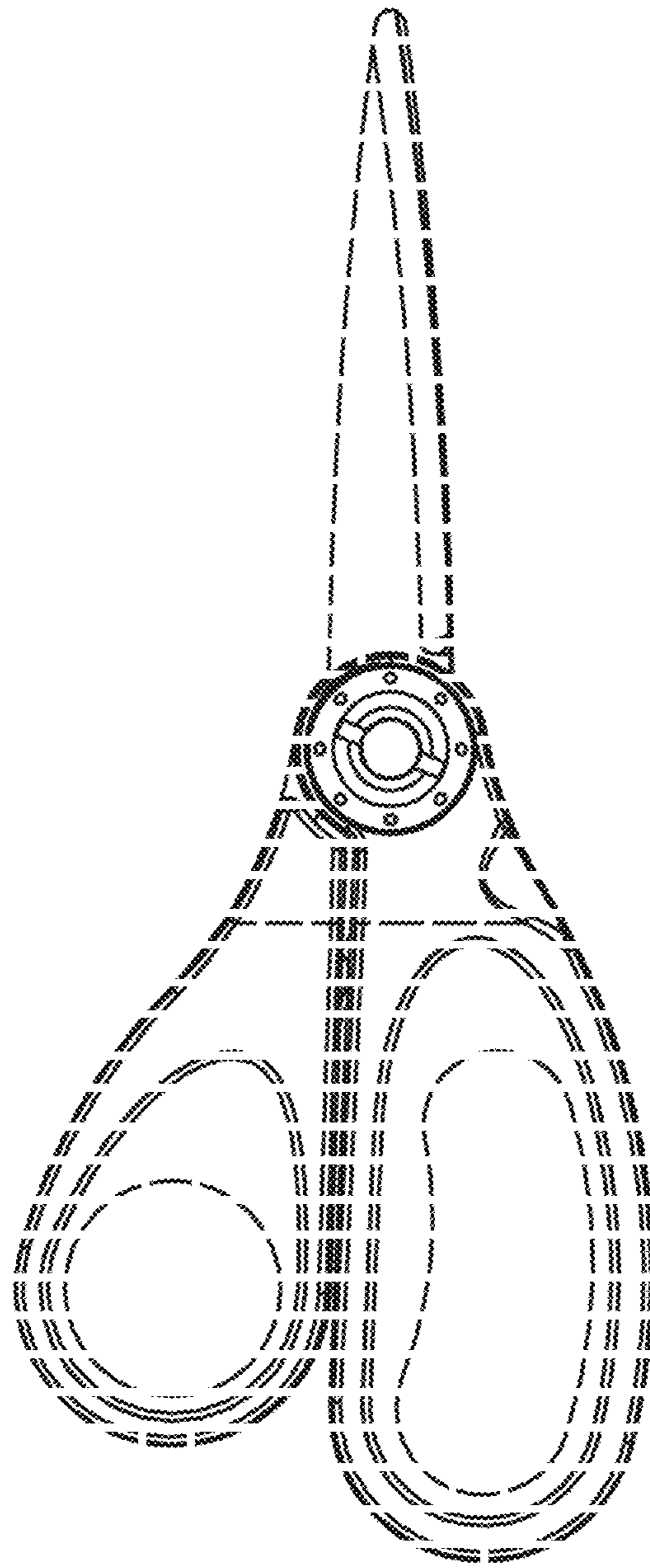


Fig. 2

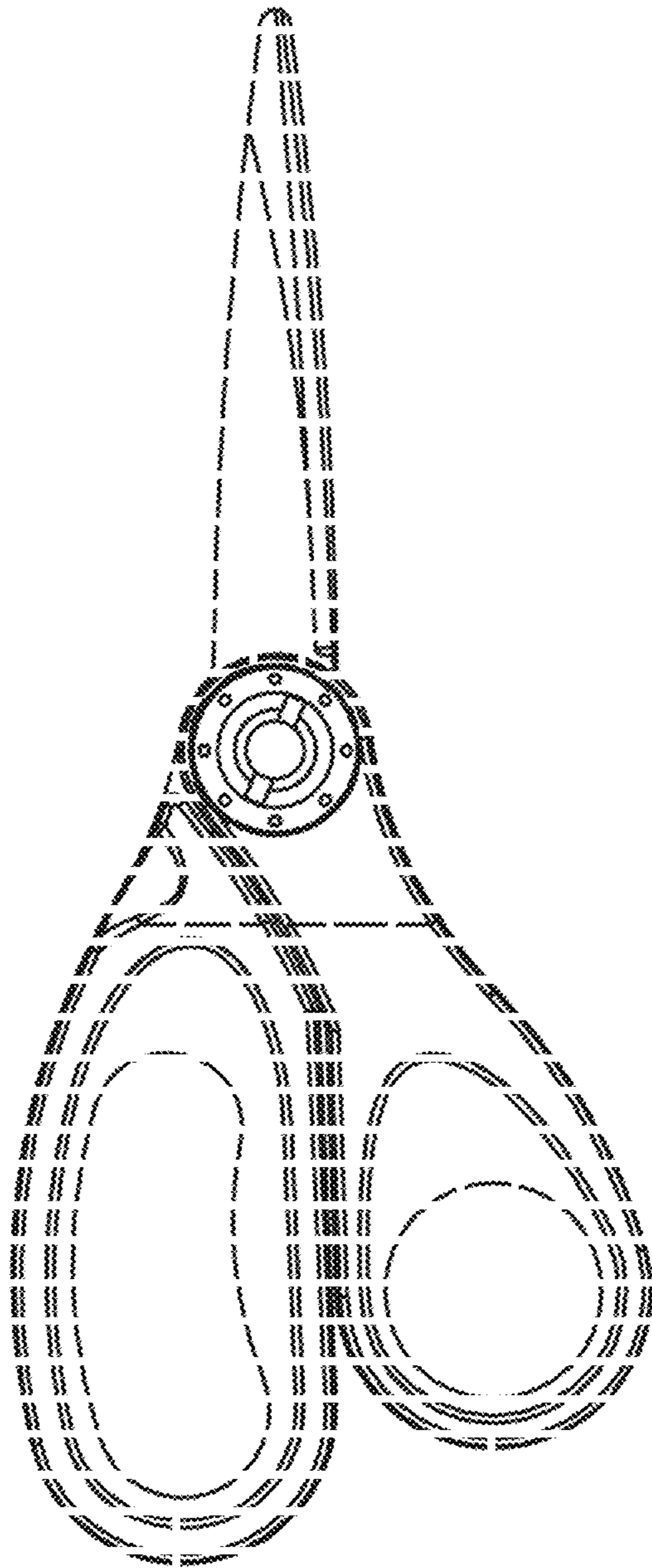


Fig. 3

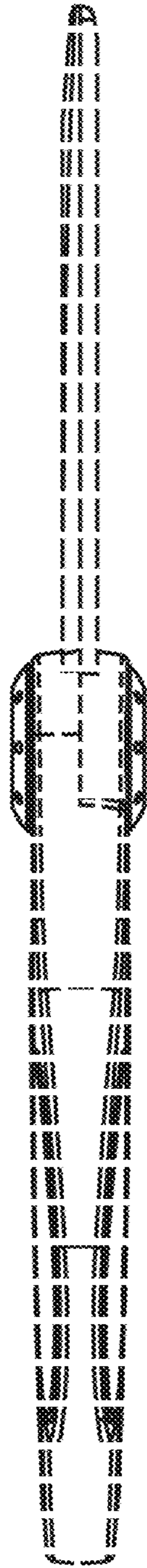


Fig. 4

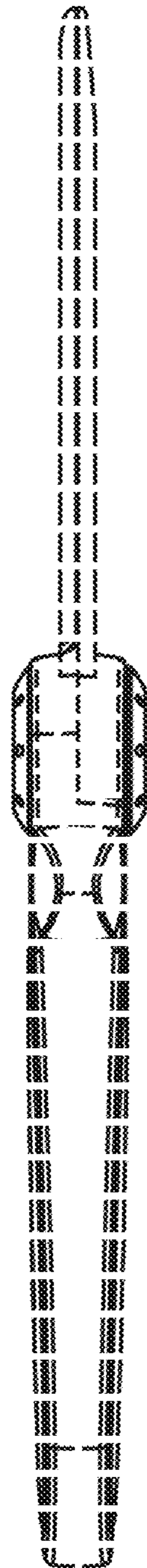


Fig. 5

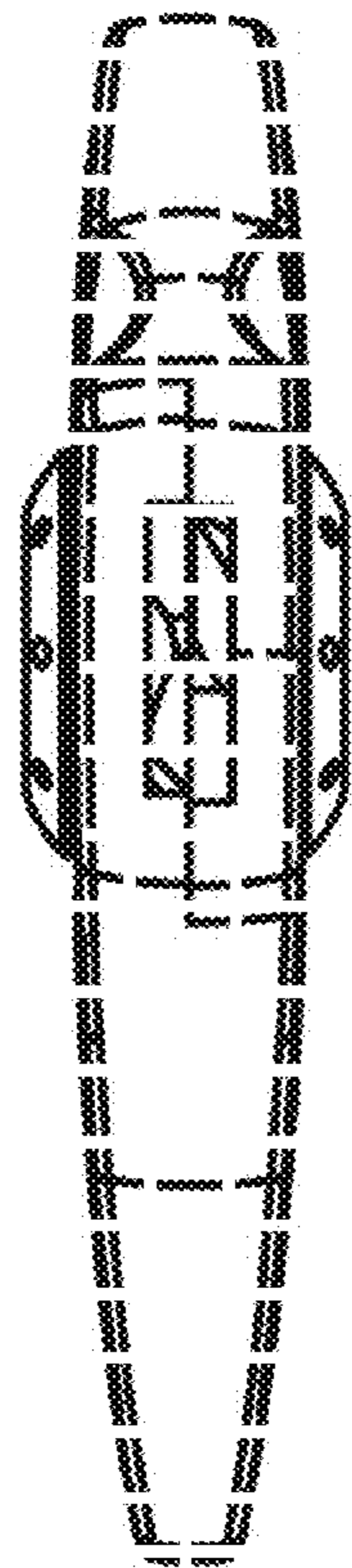


Fig. 6

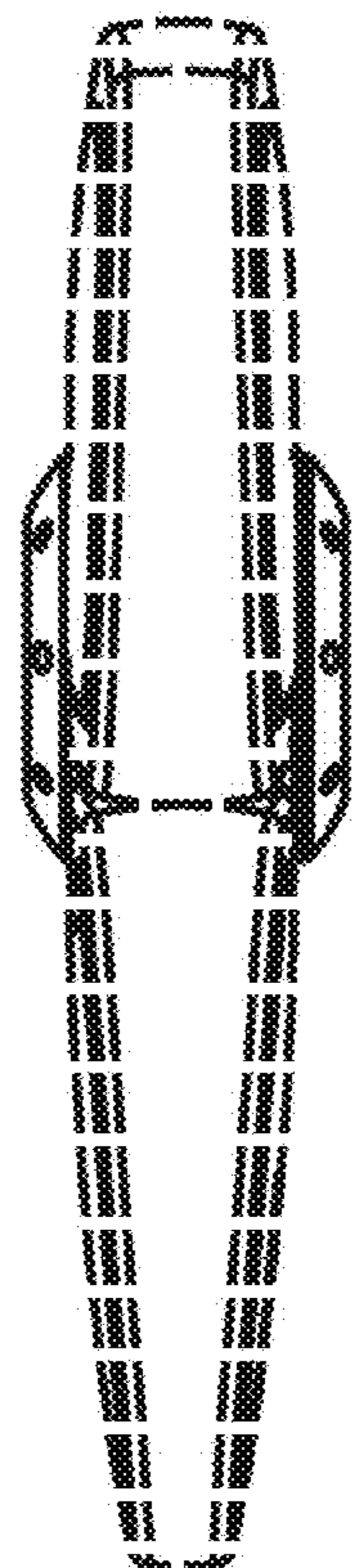


Fig. 7

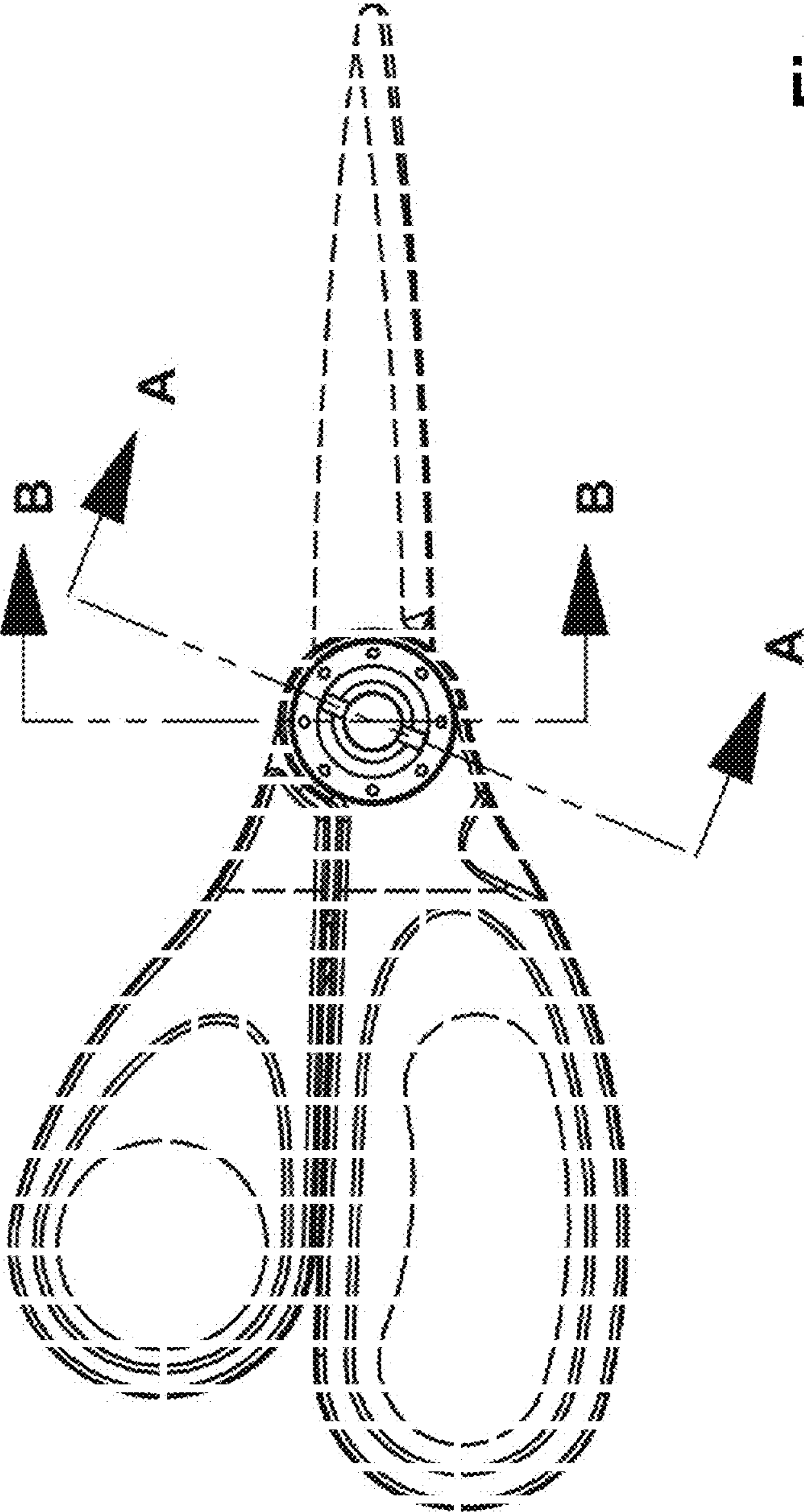


Fig. 8

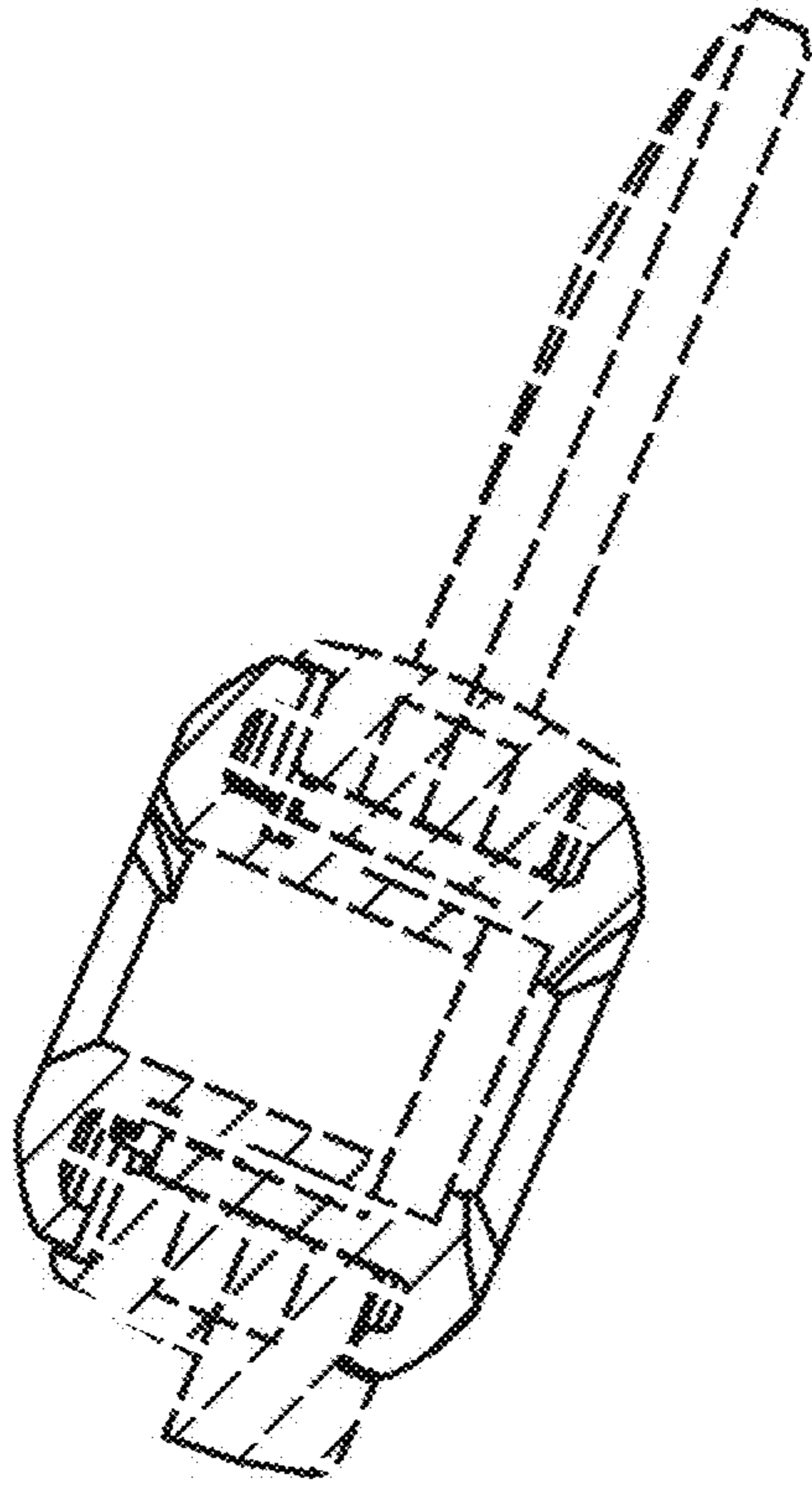


Fig. 9

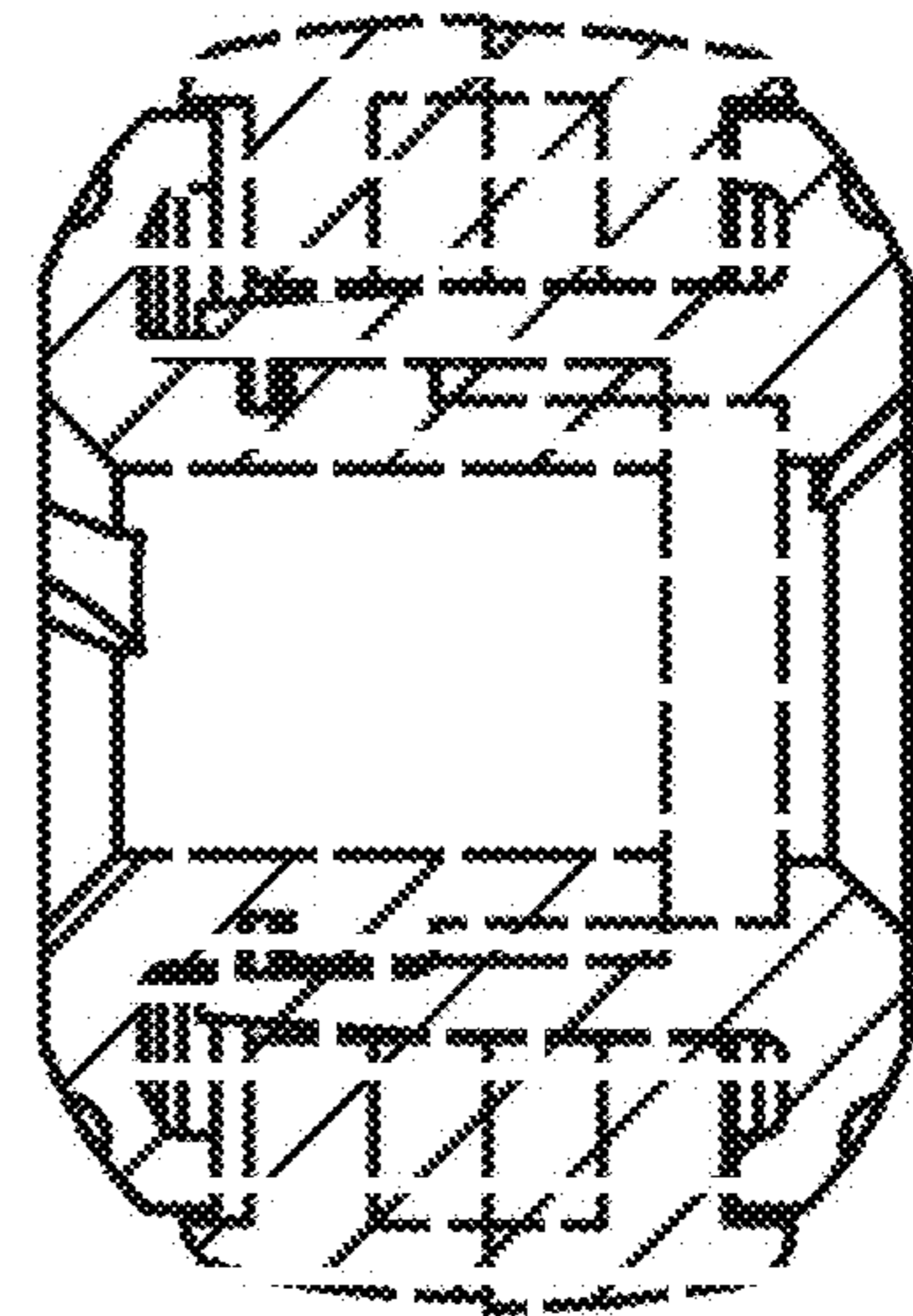


Fig. 10