



US00D904148S

(12) **United States Design Patent** (10) **Patent No.:** **US D904,148 S**
Chou (45) **Date of Patent:** **** Dec. 8, 2020**

(54) **STAPLER**

(71) Applicant: **PAO SHEN ENTERPRISES CO., LTD.**, Chang Hua (TW)

(72) Inventor: **Chun-Pin Chou**, Chang Hua (TW)

(73) Assignee: **PAO SHEN ENTERPRISES CO., LTD.**, Chang Hua (TW)

(**) Term: **15 Years**

(21) Appl. No.: **29/676,185**

(22) Filed: **Jan. 9, 2019**

(51) **LOC (12) Cl.** **19-02**

(52) **U.S. Cl.**
USPC **D8/50**

(58) **Field of Classification Search**
USPC D8/48, 49, 50, 61, 68, 69, 70; D19/72, D19/73, 65, 69; D21/532; D24/145; 7/158, 160; 227/4, 5, 6, 7, 8, 120, 127, 227/128, 131, 132, 134, 144, 156, 175.1; 606/139, 143, 153, 219
CPC B25C 5/06; B25C 5/11; B42B 2/04
See application file for complete search history.

(56) **References Cited**

U.S. PATENT DOCUMENTS

D286,851 S * 11/1986 Suzuki D8/50
D304,903 S * 12/1989 Leszczak D8/50

D308,324 S * 6/1990 Oliver D8/50
D308,930 S * 7/1990 Leszczak D8/50
D320,539 S * 10/1991 Leff D8/50
D330,317 S * 10/1992 Jacober D8/50
D331,002 S * 11/1992 Oliver D8/50
D384,259 S * 9/1997 Smith 227/134
D694,079 S * 11/2013 Cunningham D8/50
D706,600 S * 6/2014 Cunningham D8/50

* cited by examiner

Primary Examiner — Austin Murphy

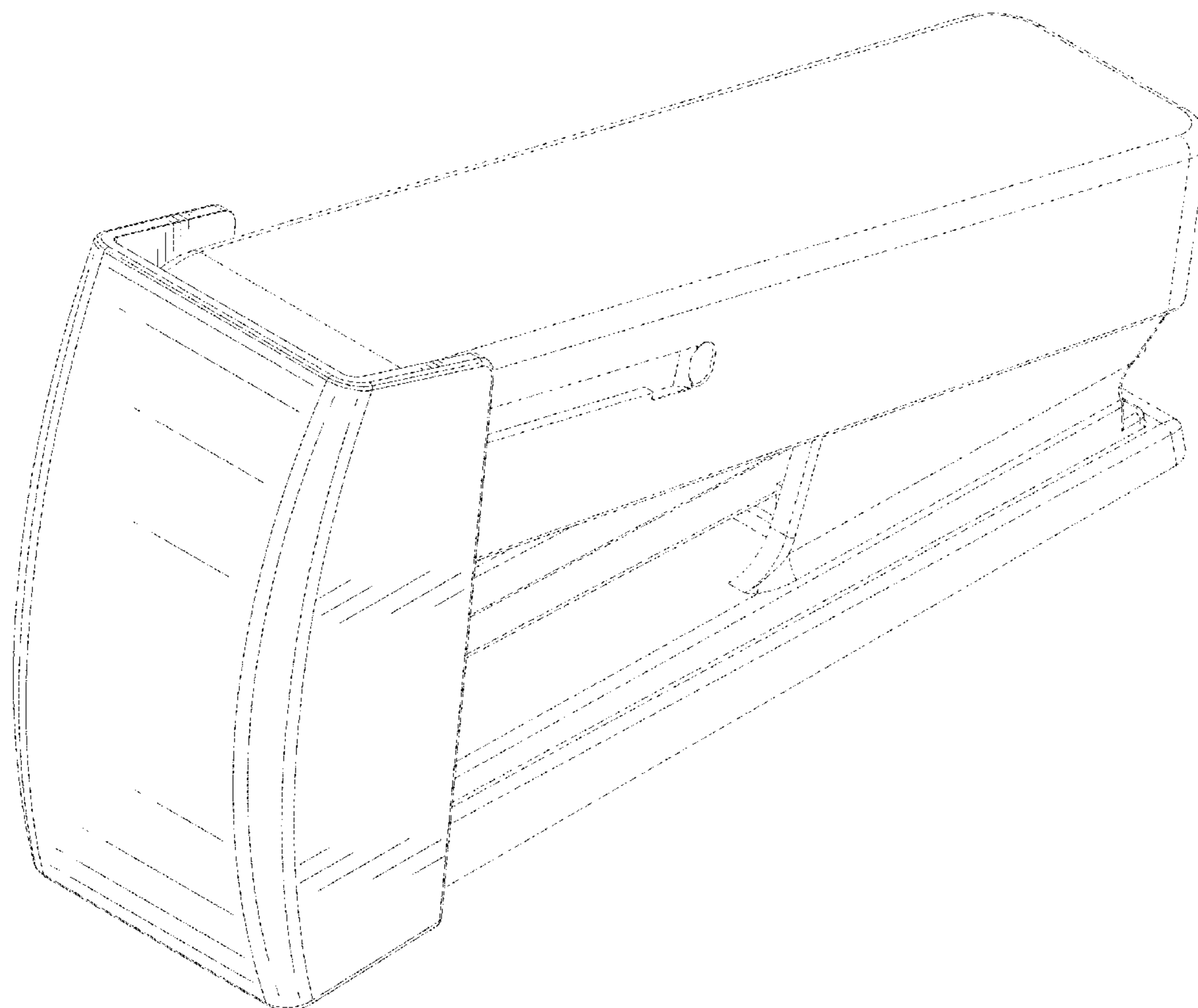
(57) **CLAIM**

The ornamental design for a stapler, as shown and described.

DESCRIPTION

FIG. 1 is a perspective view of a stapler showing my new design;
FIG. 2 is a front elevational view thereof;
FIG. 3 is a rear elevational view thereof;
FIG. 4 is a left side elevational view thereof;
FIG. 5 is a right side elevational view thereof;
FIG. 6 is a top plan view thereof;
FIG. 7 is a bottom plan view thereof;
FIG. 8 is another perspective view thereof; and,
FIG. 9 is a view similar to FIG. 1, illustrating the stapler in a different configuration.
The broken lines depict portions of a stapler in which the design is embodied that form no part of the claimed design.

1 Claim, 9 Drawing Sheets



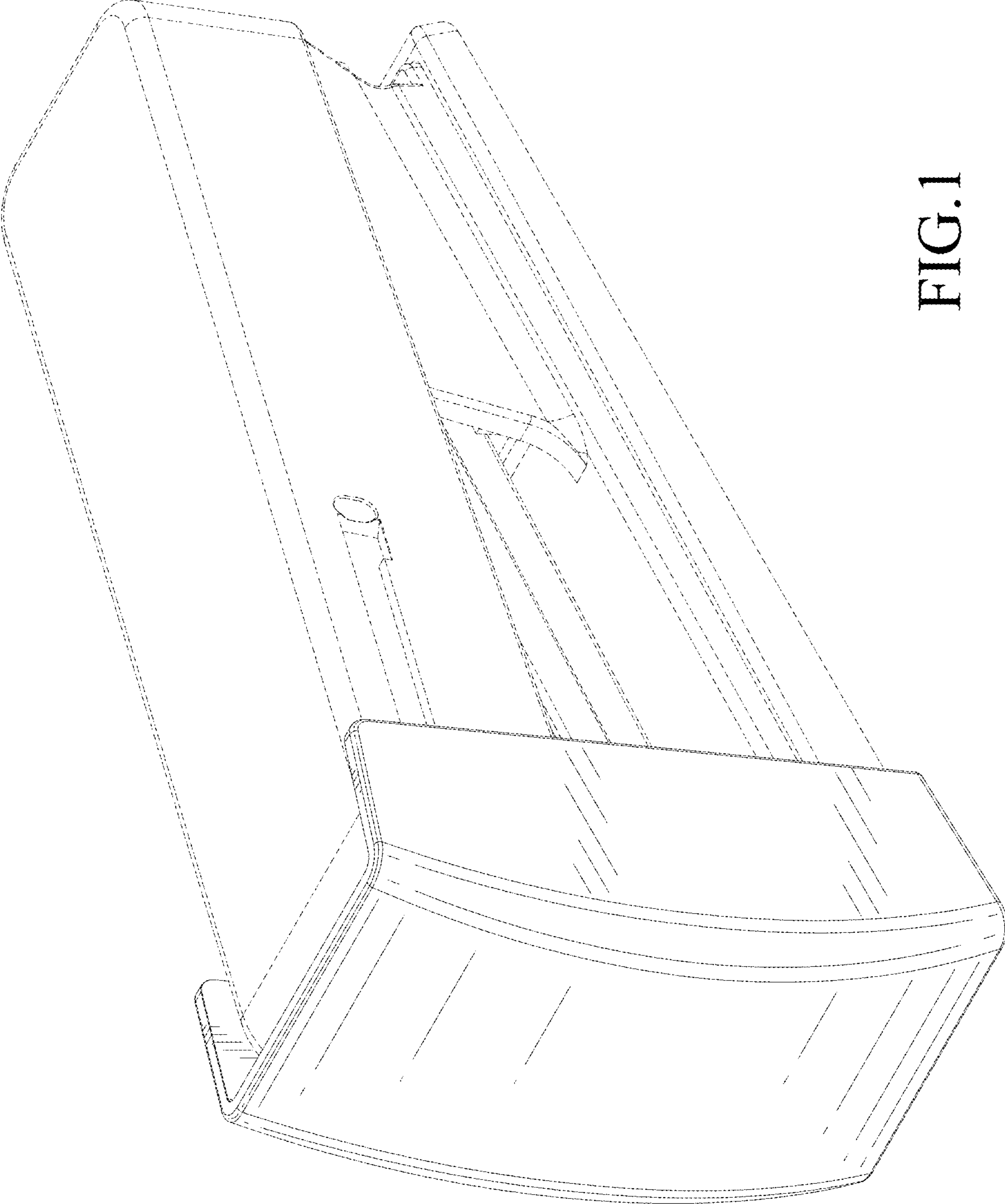


FIG.1

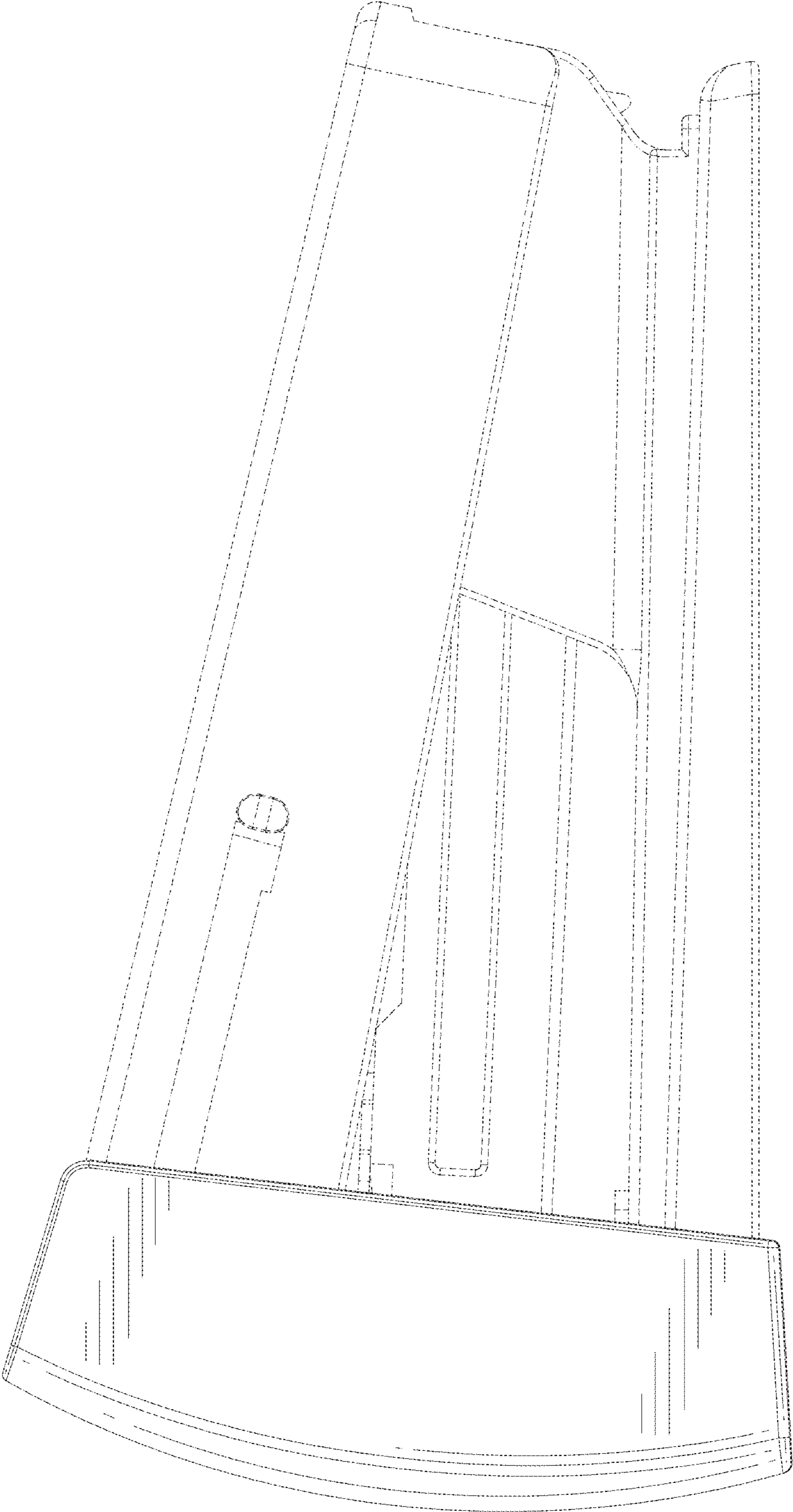


FIG.2

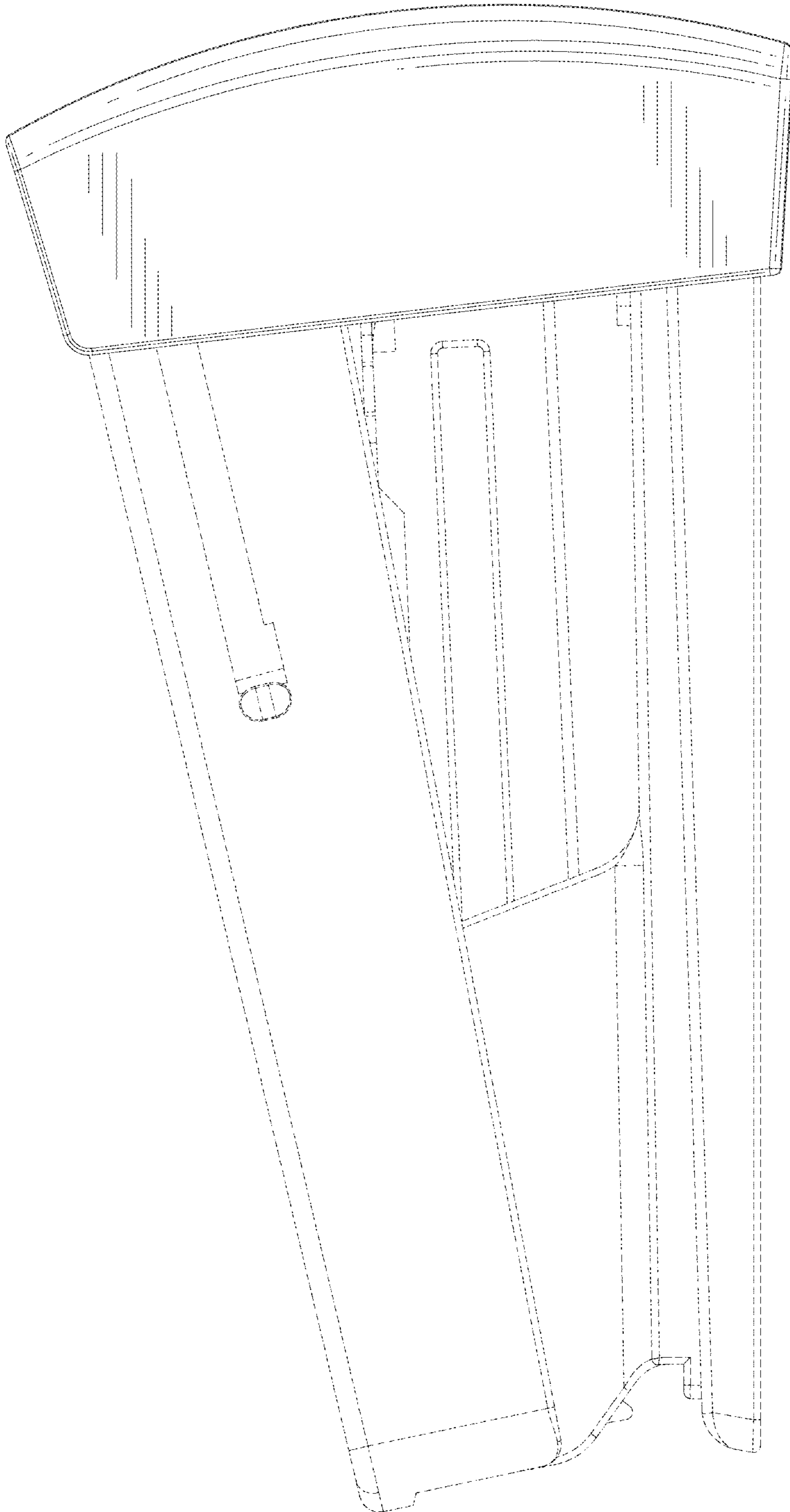


FIG.3

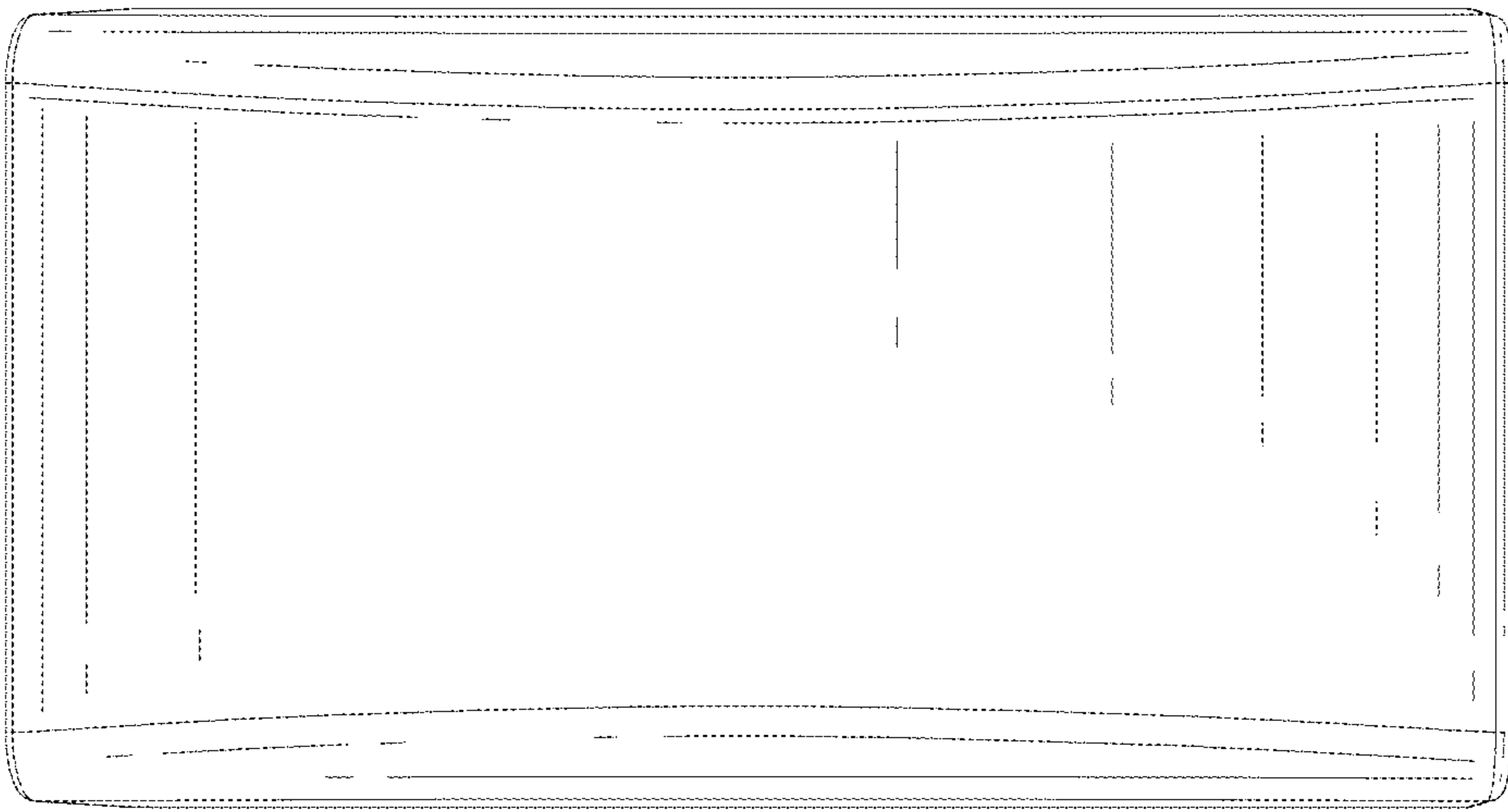


FIG.4

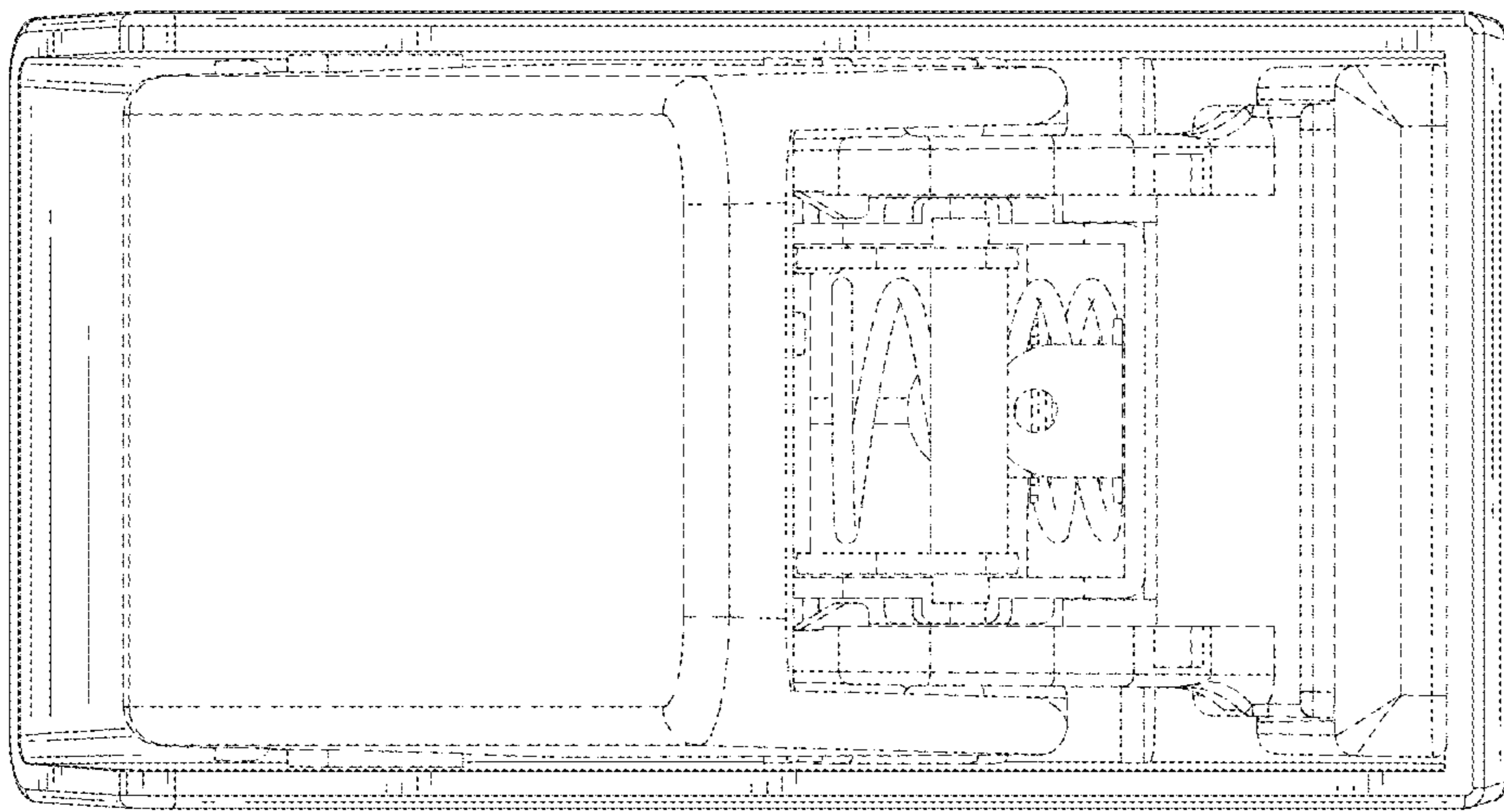


FIG. 5

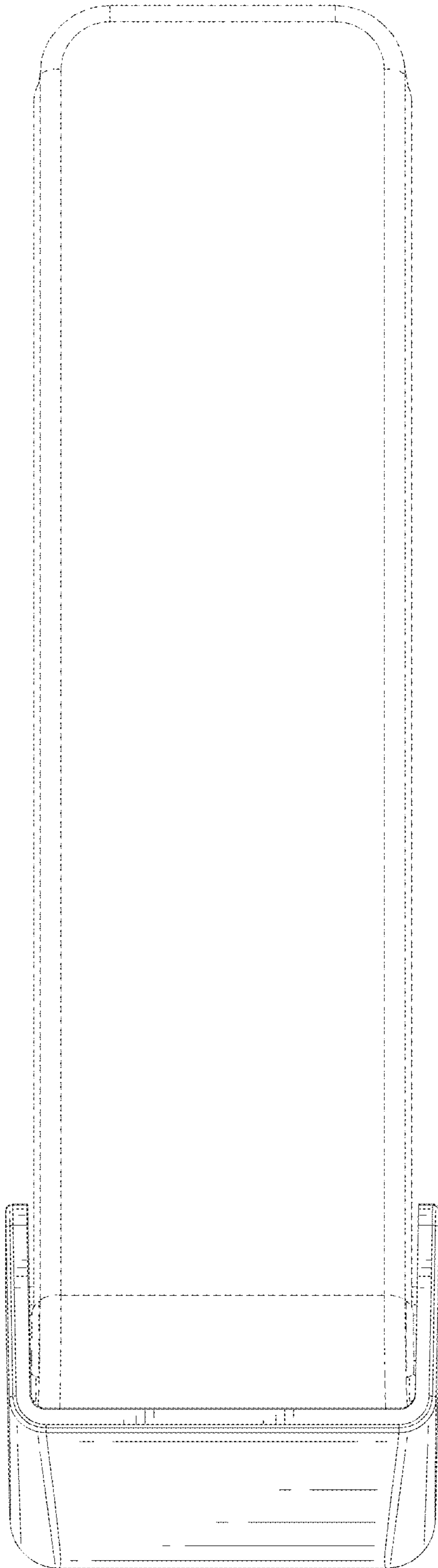


FIG.6

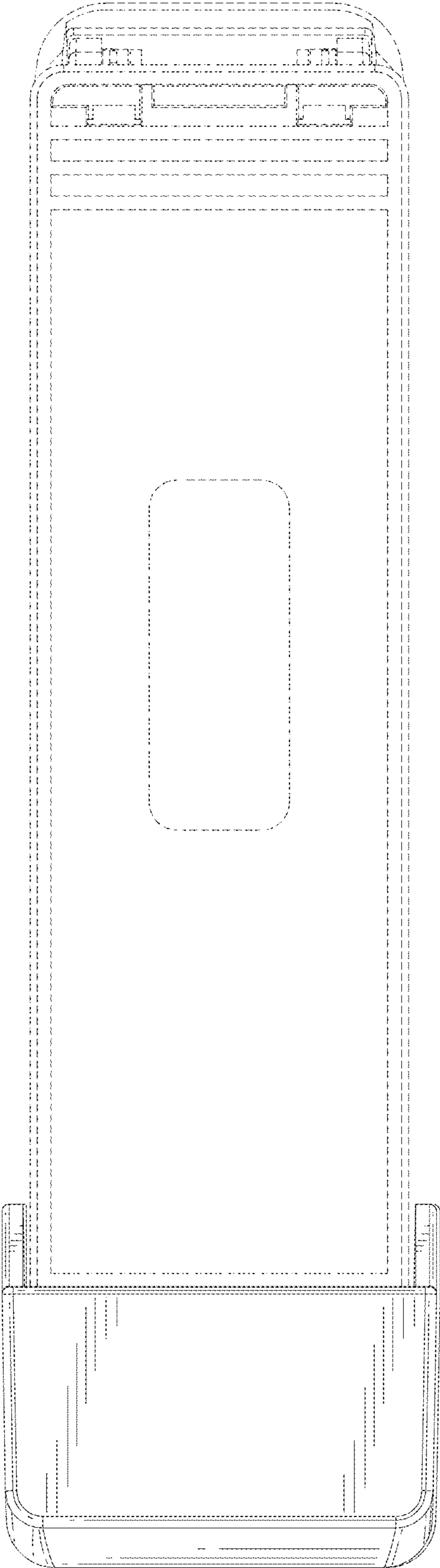


FIG. 7

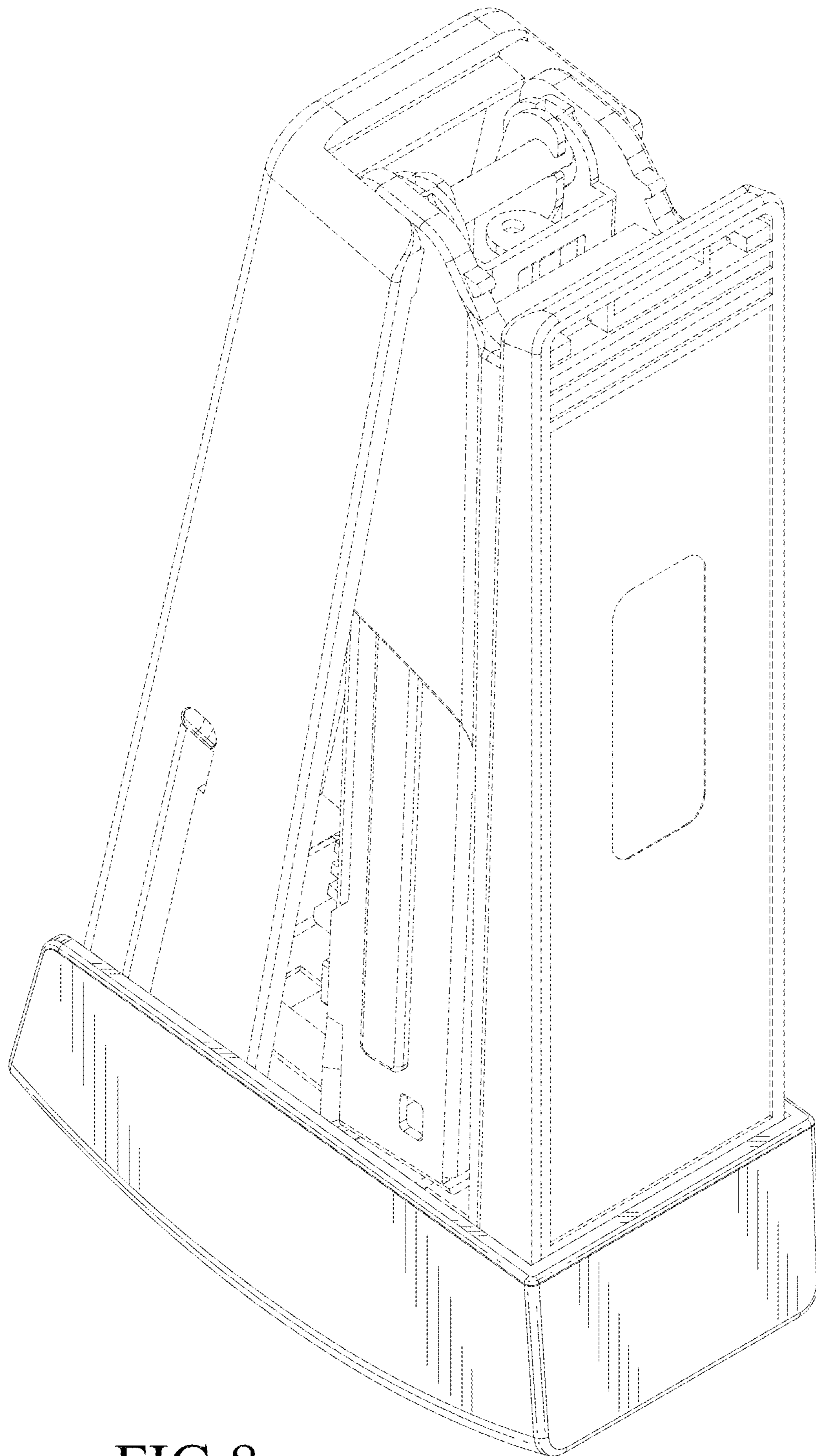


FIG.8

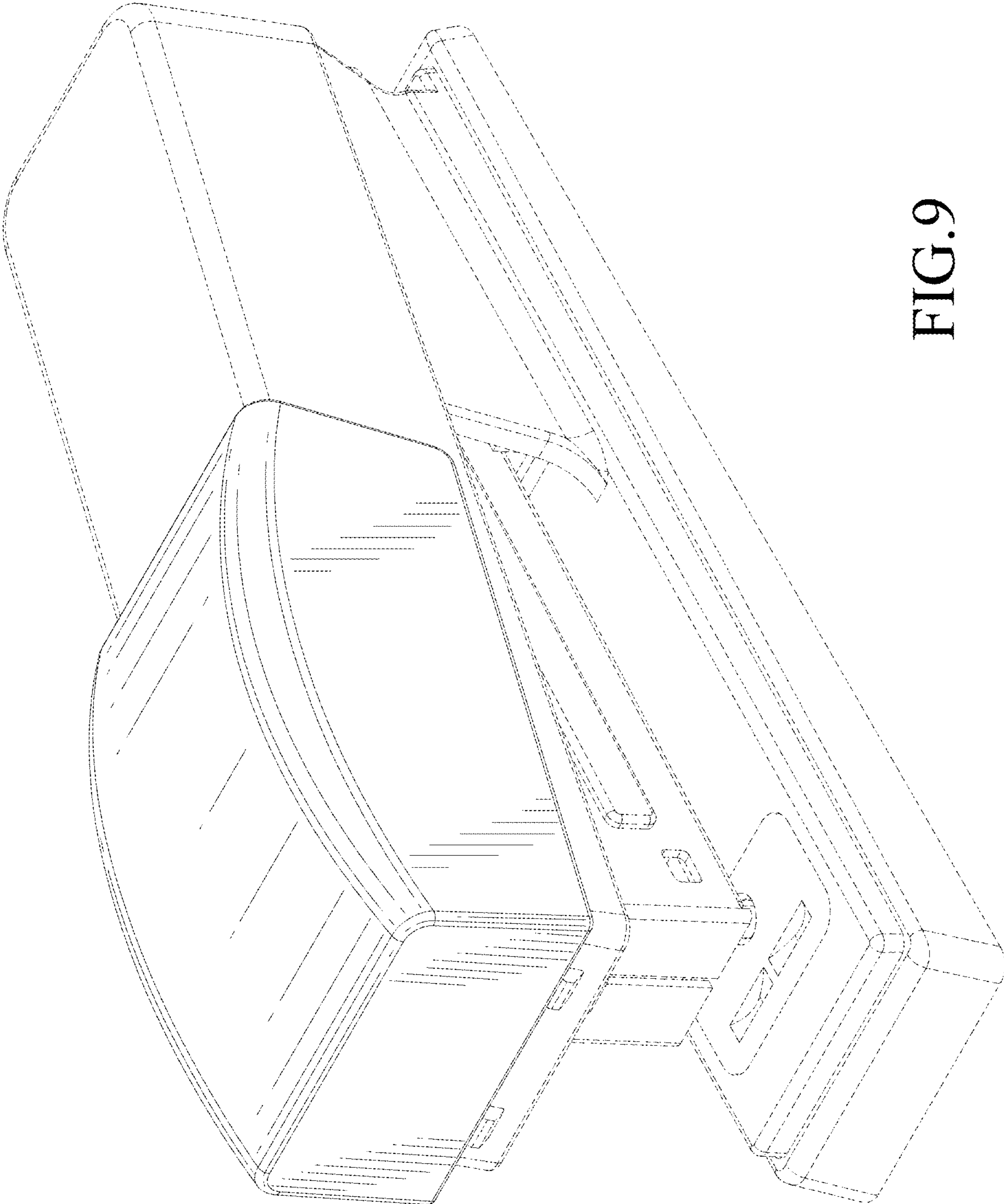


FIG. 9