



US00D904147S

(12) **United States Design Patent**  
**Wagner**

(10) **Patent No.:** **US D904,147 S**  
(45) **Date of Patent:** **\*\* Dec. 8, 2020**

(54) **BOTTLE OPENER FOR ELECTRONIC CIGARETTE**

(71) Applicant: **Brett Wagner**, Cambridge, MA (US)

(72) Inventor: **Brett Wagner**, Cambridge, MA (US)

(\*\*) Term: **15 Years**

(21) Appl. No.: **29/694,352**

(22) Filed: **Jun. 10, 2019**

(51) **LOC (12) Cl.** ..... **07-99**

(52) **U.S. Cl.**  
USPC ..... **D8/40; D27/125**

(58) **Field of Classification Search**  
USPC ..... D8/18, 33-43, 88, 89; D27/125, 163, D27/164, 175, 180  
CPC .... B67B 7/00; B67B 7/02; B67B 7/12; B67B 7/14; B67B 7/16; B67B 7/162; B67B 7/18; B67B 7/20; B67B 7/40; B67B 7/44  
See application file for complete search history.

(56) **References Cited**

**U.S. PATENT DOCUMENTS**

2,608,890	A *	9/1952	Andrews	.....	B67B 7/16
					81/3.56
2,737,069	A *	3/1956	Weindel, Jr.	.....	B25F 1/04
					81/3.35
3,355,917	A *	12/1967	Albert	.....	A45C 11/324
					70/456 R
D269,937	S *	8/1983	Stewart, Jr.	.....	D8/43
D277,640	S *	2/1985	Drexler	.....	D8/88
D294,218	S *	2/1988	Johnson	.....	D8/42

D301,113	S *	5/1989	Lapsker	.....	D8/42
D317,392	S *	6/1991	Mihic	.....	D8/41
5,701,640	A *	12/1997	Locher	.....	A44C 5/2071
					24/265 WS
D413,499	S *	9/1999	Anderson	.....	D8/105
D637,465	S *	5/2011	Focht	.....	D8/40
D727,700	S *	4/2015	Huang	.....	D8/31
D795,665	S *	8/2017	Henderson, IV	.....	D8/18
D865,276	S *	10/2019	Pino	.....	D27/162
D889,033	S *	6/2020	Murray	.....	D27/162

\* cited by examiner

*Primary Examiner* — Elizabeth A. Albert

(74) *Attorney, Agent, or Firm* — Gary E. Lambert; David J. Connaughton, Jr.; Lambert Shortell & Connaughton

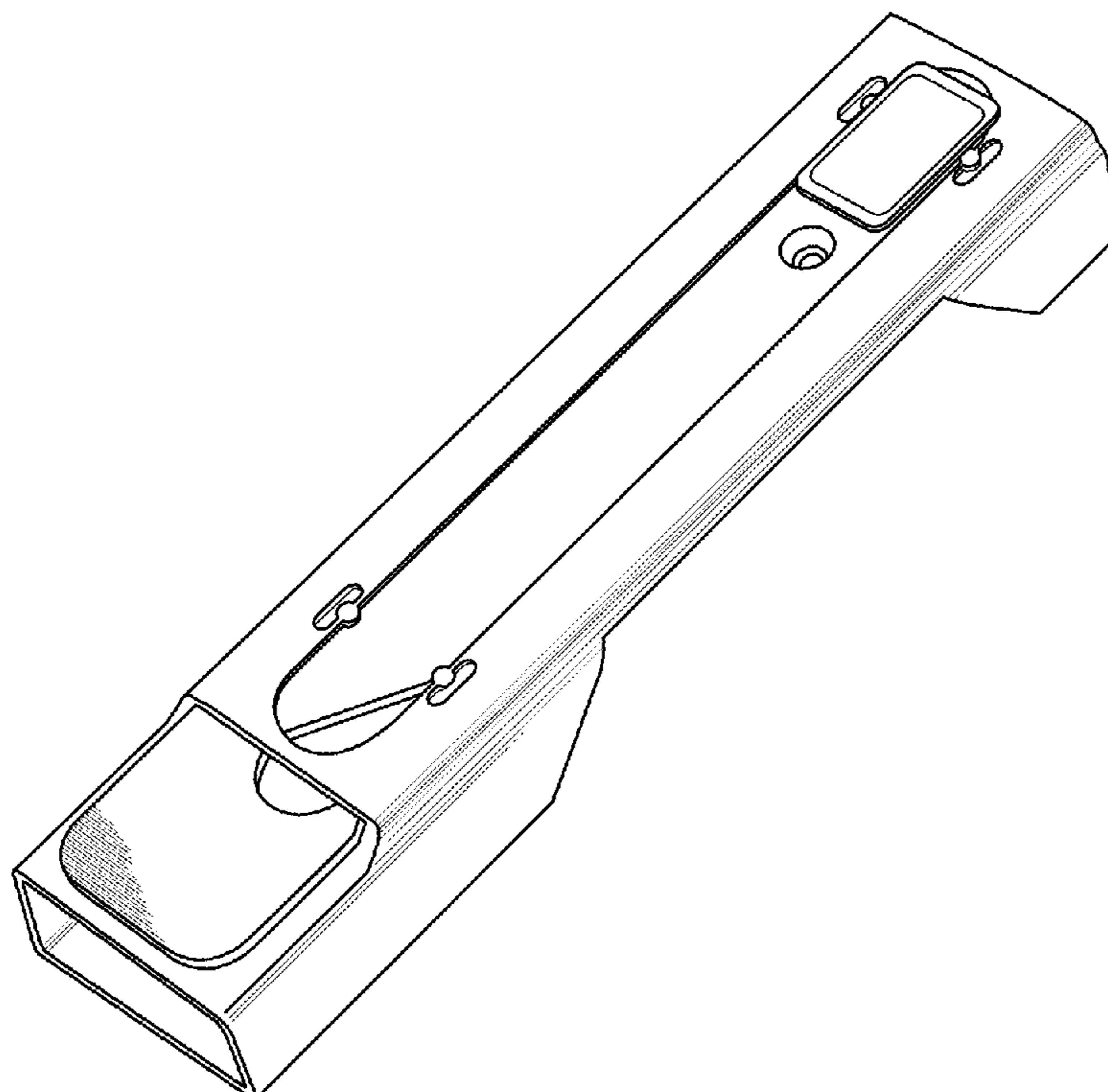
(57) **CLAIM**

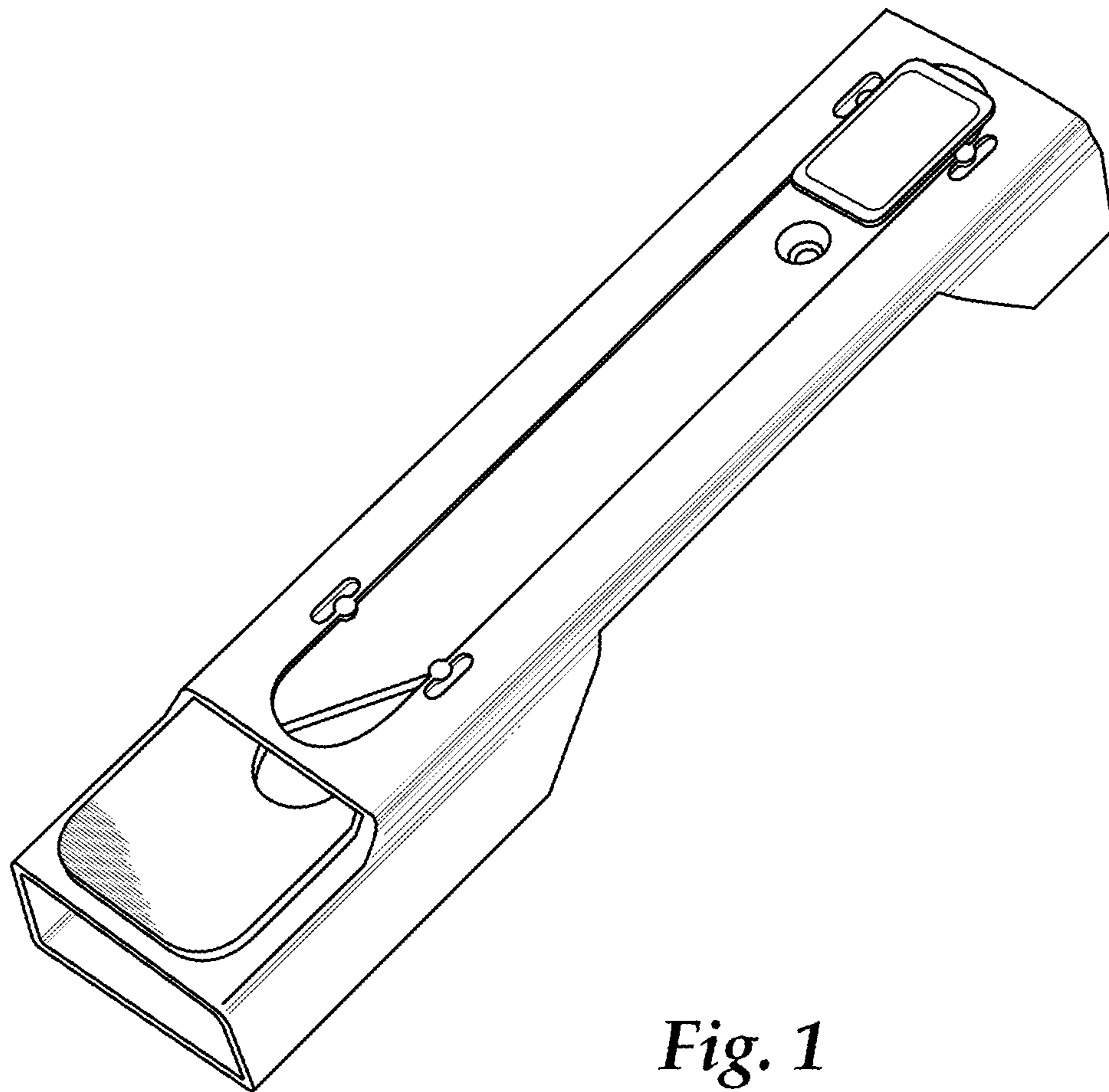
The ornamental design for a bottle opener for electronic cigarette, as shown and described.

**DESCRIPTION**

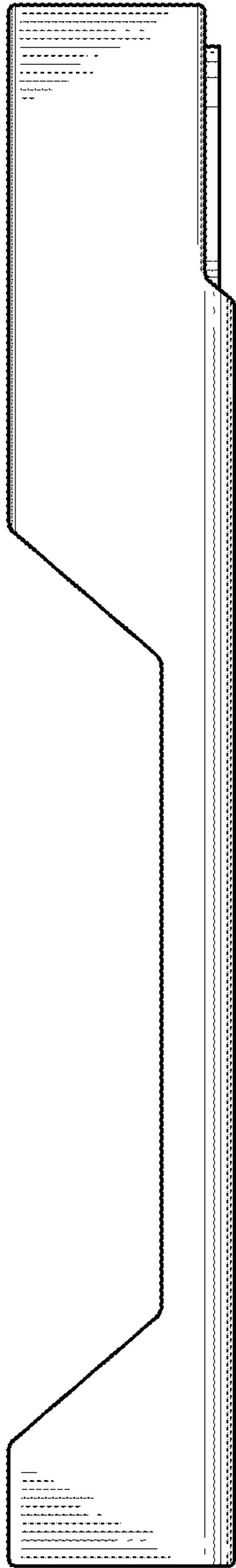
FIG. 1 is an isometric view of the bottle opener for electronic cigarette, which embodies my design; FIG. 2 is a side view of the thereof; FIG. 3 is a side view of the thereof; FIG. 4 is a top plan view of the thereof; FIG. 5 is a bottom plan view of the thereof; FIG. 6 is a side view of the thereof; FIG. 7 is a side view of the thereof; and, FIG. 8 is an isometric view of the bottle opener for electronic cigarette in a position of use. The electronic cigarette shown in dotted lines in FIG. 8 is shown for environmental purposes only and forms no part of the claimed design.

**1 Claim, 5 Drawing Sheets**

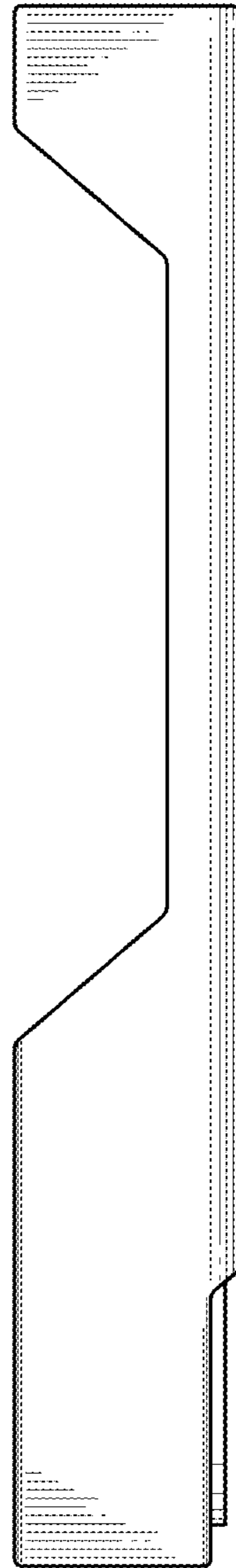




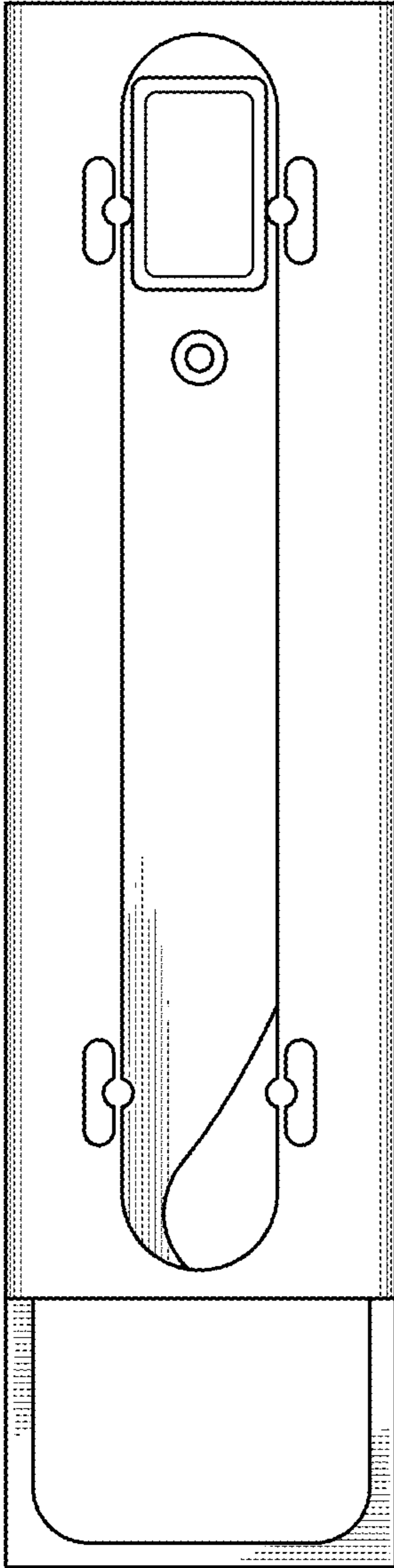
*Fig. 1*



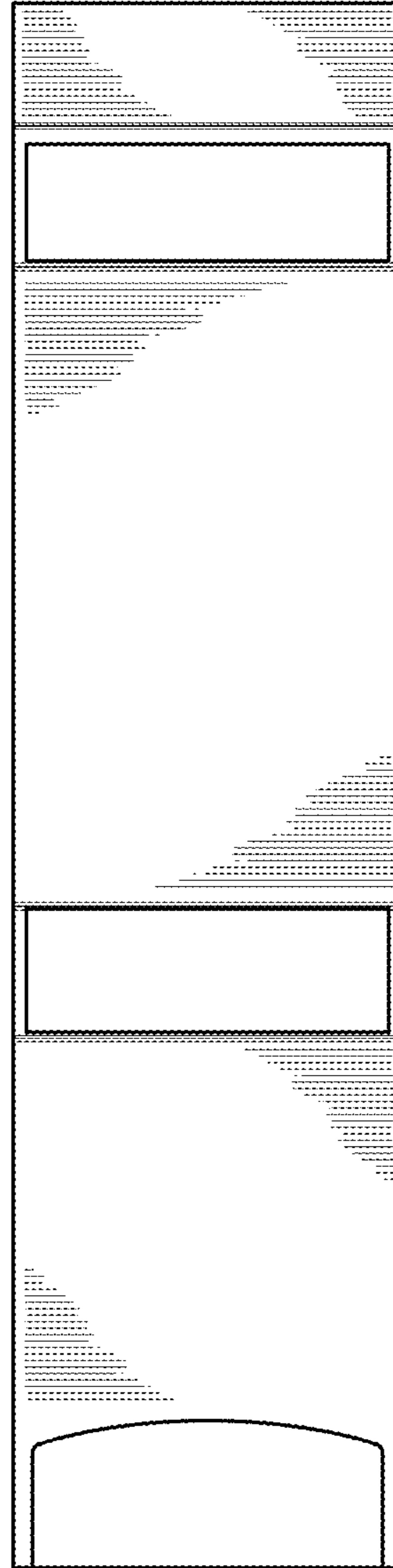
*Fig. 2*



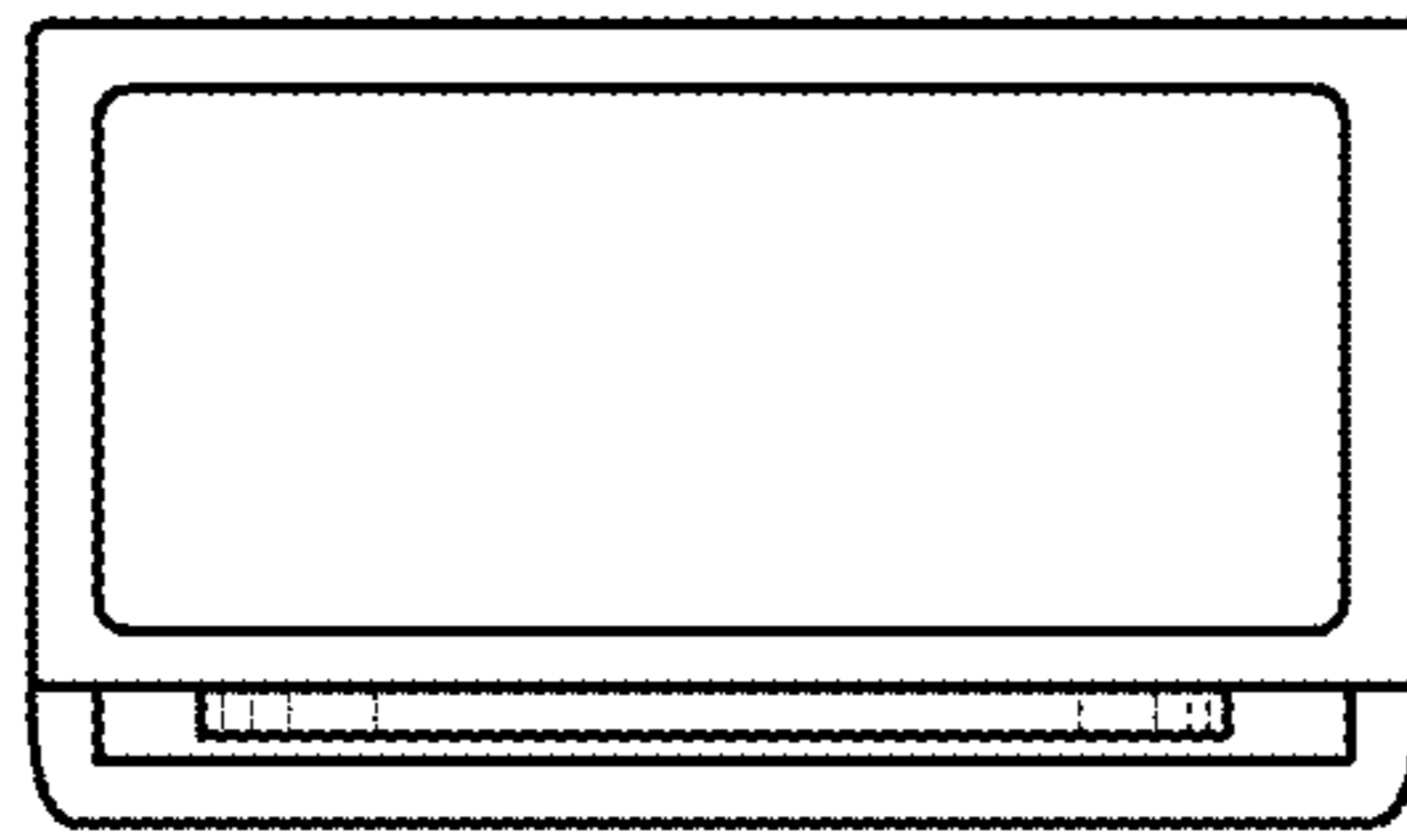
*Fig. 3*



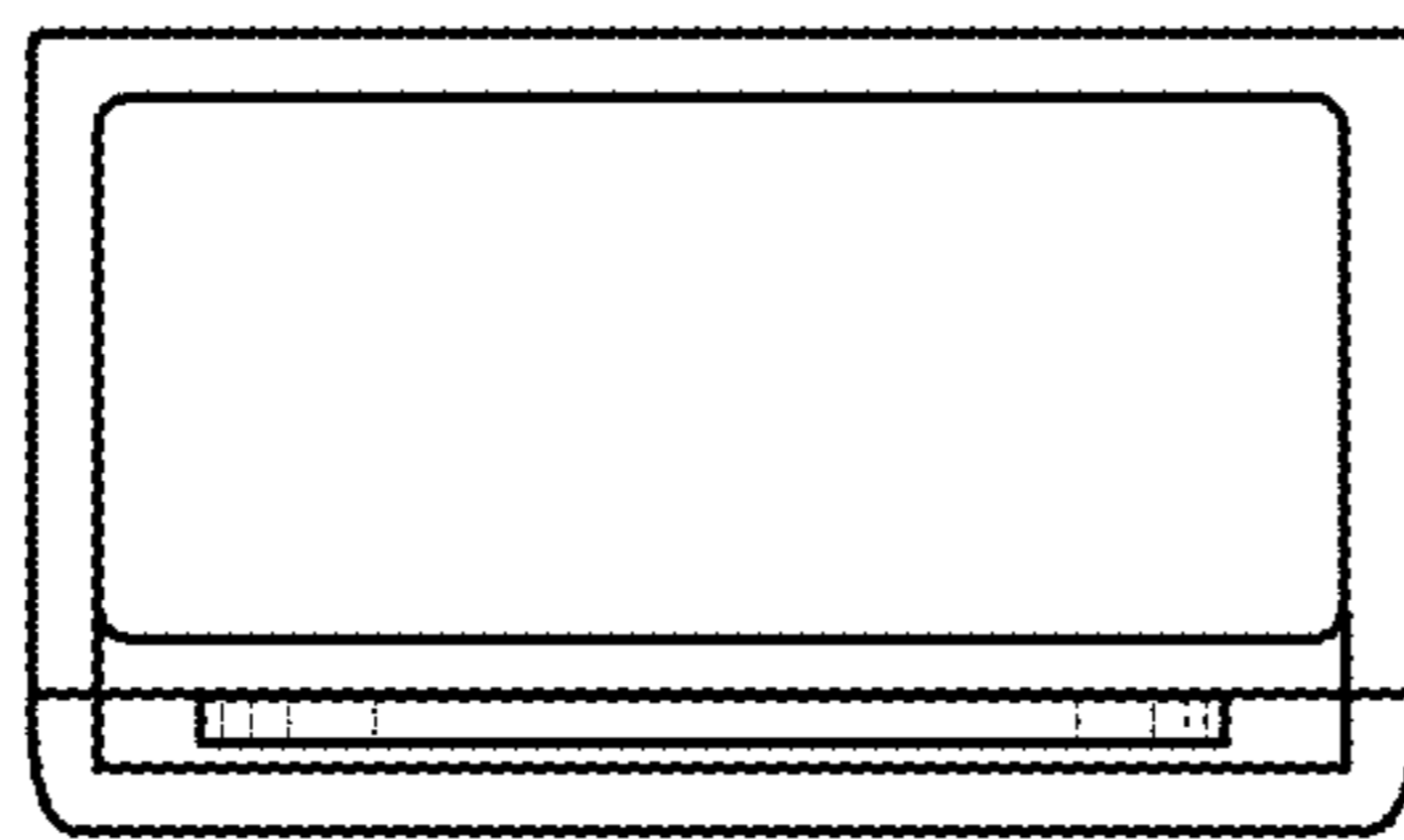
*Fig. 4*



*Fig. 5*



*Fig. 6*



*Fig. 7*

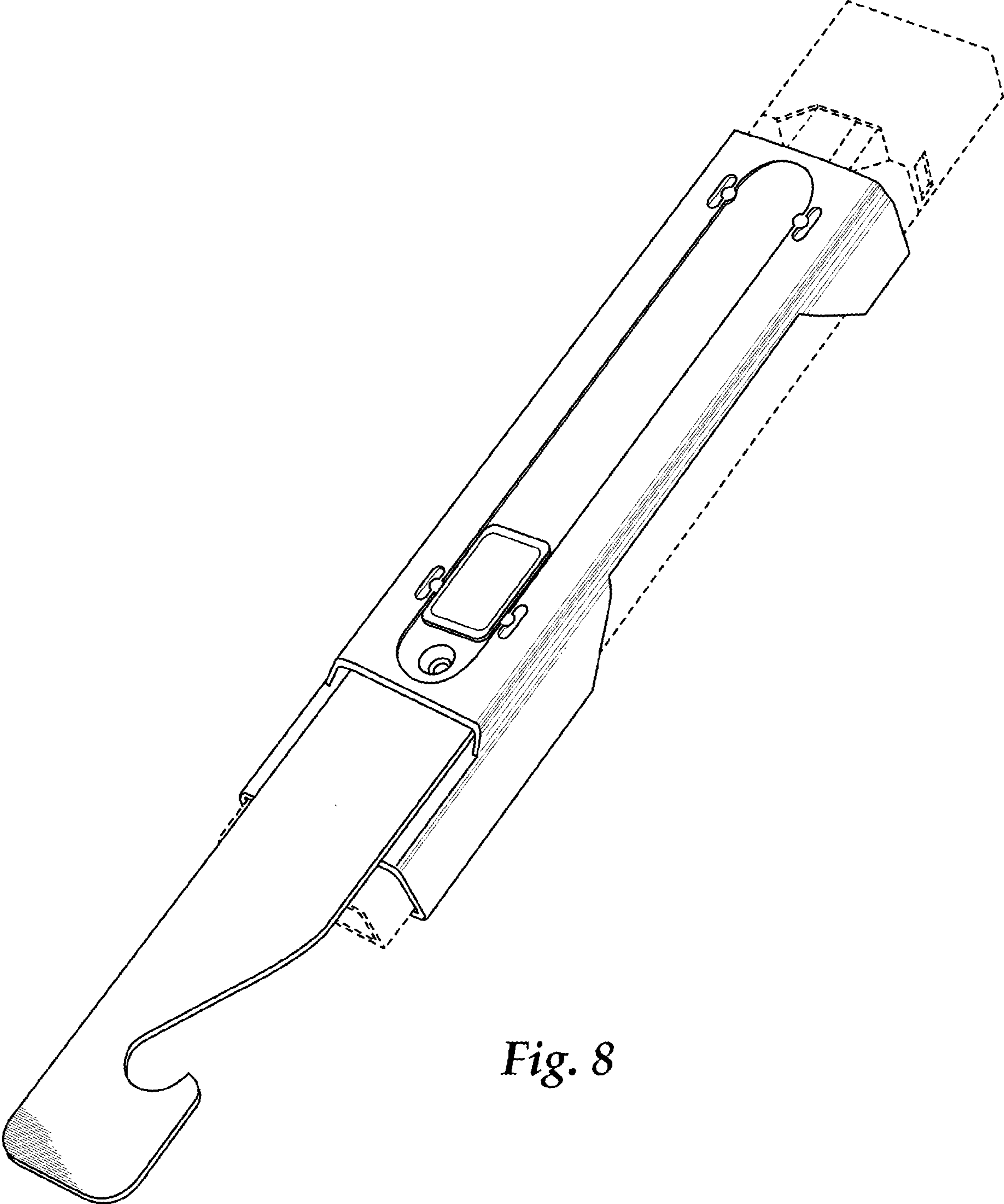


Fig. 8