



US00D904145S

(12) **United States Design Patent** (10) **Patent No.:** **US D904,145 S**  
**Butscher et al.** (45) **Date of Patent:** **\*\* Dec. 8, 2020**

(54) **SAW BLADE**  
(71) Applicant: **Robert Bosch GmbH**, Stuttgart (DE)  
(72) Inventors: **Dietmar Janusz Butscher**, Jegenstorf (CH); **Johanna Seeger**, Zürich (CH); **Milan Bozic**, Solothurn (CH); **Andreas Gruber**, St. Niklaus (CH)  
(73) Assignee: **Robert Bosch GmbH**, Stuttgart (DE)  
(\*\*) Term: **15 Years**  
(21) Appl. No.: **29/619,716**  
(22) Filed: **Sep. 30, 2017**

**Related U.S. Application Data**

(62) Division of application No. 29/555,211, filed on Feb. 19, 2016, now Pat. No. Des. 809,356.

**Foreign Application Priority Data**

Aug. 21, 2015 (EM) ..... 002758342

(51) **LOC (12) Cl.** ..... **08-03**

(52) **U.S. Cl.**  
USPC ..... **D8/20; D8/70**

(58) **Field of Classification Search**  
USPC ..... D8/20, 23, 41, 64, 66, 70, 92; D7/385; D15/133; D24/146-147  
CPC ..... B27B 5/00; B27B 33/08; B27B 33/12; B27B 33/142; B27B 33/144; B27B 33/145; A61B 17/14; A61B 17/142; B23D 61/006; B23D 61/121; B23D 61/123

See application file for complete search history.

(56) **References Cited**

**U.S. PATENT DOCUMENTS**

D402,738 S 12/1998 Oswaks et al.  
D455,490 S 4/2002 Pascaloff  
D459,805 S 7/2002 Pascaloff

D651,499 S 1/2012 Tong  
D677,546 S 5/2013 Zhou et al.  
D682,652 S 5/2013 McRoberts et al.  
D692,958 S 11/2013 Barret et al.  
D693,193 S 11/2013 Bozic

(Continued)

**OTHER PUBLICATIONS**

“Bosch OSL114C Starlock Oscillating Multi Tool Carbide Plunge Cut Blade, 1-1/4” [online]. Bosch. [Date first available on Mar. 24, 2016]. Retrieved from the Internet: <<https://www.amazon.com/Bosch-Starlock-Oscillating-Multi-Tool-OSL114C-3/dp/B01DDA7QR8>>.\*

(Continued)

*Primary Examiner* — Khawaja Anwar

*Assistant Examiner* — Mojtaba Tehrani

(74) *Attorney, Agent, or Firm* — Maginot, Moore & Beck LLP

(57) **CLAIM**

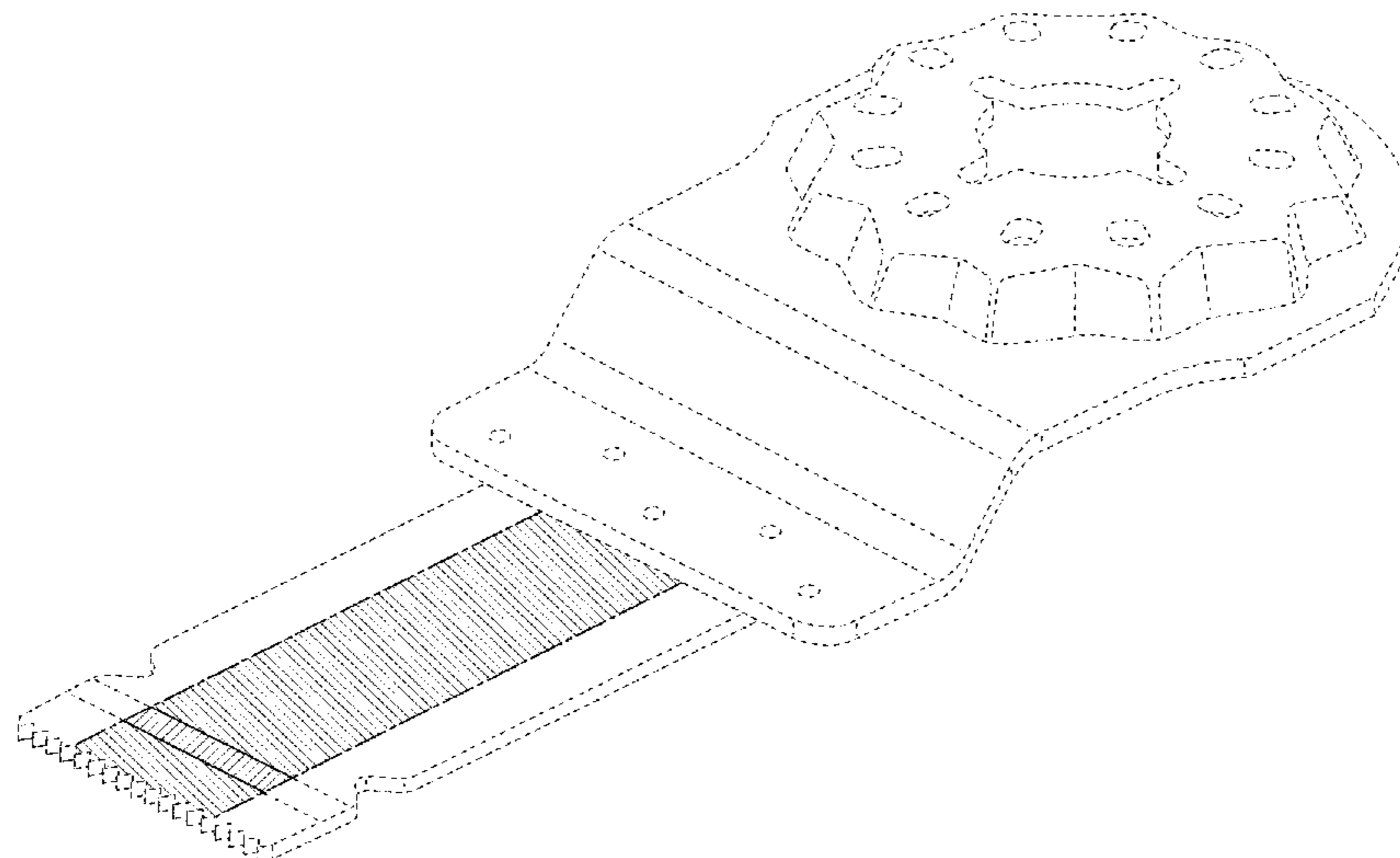
The ornamental design for a saw blade, as shown and described.

**DESCRIPTION**

FIG. 1 is a perspective view of a saw blade showing our new design;  
FIG. 2 is a front elevational view thereof;  
FIG. 3 is a rear elevational view thereof;  
FIG. 4 is a right side elevational view thereof;  
FIG. 5 is a left side elevational view thereof;  
FIG. 6 is a top plan view thereof; and,  
FIG. 7 is a bottom plan view thereof.

The broken lines shown in the drawings illustrate portions of the saw blade that form no part of the claimed design. The dash dot broken lines shown in FIGS. 1 and 6 depict boundaries of the claimed design and form no part thereof. The area lined with lines oriented in one direction and the area lined with lines oriented in another direction illustrate contrasting appearances.

**1 Claim, 5 Drawing Sheets**



(56)

References Cited

U.S. PATENT DOCUMENTS

D694,077 S 11/2013 Bozic  
 D694,596 S 12/2013 Davidian et al.  
 D694,597 S 12/2013 Davidian et al.  
 D694,598 S 12/2013 Davidian et al.  
 D694,599 S 12/2013 Davidian et al.  
 D697,384 S 1/2014 Wackwitz  
 D711,993 S 8/2014 Mirafior, III et al.  
 D713,231 S 9/2014 Bozic  
 8,950,756 B2 2/2015 Lu et al.  
 D727,380 S 4/2015 Zhang et al.  
 D728,646 S 5/2015 Accola  
 D734,649 S 7/2015 Wackwitz  
 D741,135 S 10/2015 Yang et al.  
 D741,136 S 10/2015 Yang et al.  
 D746,655 S 1/2016 Wackwitz  
 D750,461 S 3/2016 McRoberts et al.  
 9,815,187 B2 \* 11/2017 Kozak ..... A61B 17/142  
 D809,355 S \* 2/2018 Butscher ..... D8/20  
 D809,356 S \* 2/2018 Butscher ..... D8/20  
 D814,900 S \* 4/2018 Kaye, Jr. .... D8/70  
 D817,128 S \* 5/2018 Gopi ..... D8/20  
 D817,139 S \* 5/2018 Fellmann ..... D8/70  
 10,040,186 B2 \* 8/2018 Kaye, Jr. .... B24B 23/04  
 10,076,832 B2 \* 9/2018 Nagy ..... B24B 23/04  
 10,112,294 B2 \* 10/2018 Fuchs ..... B24B 41/007  
 D832,666 S \* 11/2018 Kaye, Jr. .... D8/20  
 10,245,744 B2 \* 4/2019 Morcos ..... A61B 17/14  
 10,286,466 B2 \* 5/2019 Zhang ..... B27B 5/32  
 D853,817 S \* 7/2019 Ji ..... D8/70

D856,766 S \* 8/2019 Kaye, Jr. .... D8/20  
 D862,185 S \* 10/2019 Dai ..... D8/20  
 10,427,229 B2 \* 10/2019 Karlen ..... B23D 61/006  
 10,442,020 B2 \* 10/2019 Dvorak ..... B23D 51/00  
 D871,185 S \* 12/2019 Kaye, Jr. .... D8/70  
 10,512,978 B2 \* 12/2019 Rubens ..... B25F 5/00  
 D873,099 S \* 1/2020 Kaye, Jr. .... D8/20  
 D884,444 S \* 5/2020 Kaye, Jr. .... D8/20  
 10,687,824 B2 \* 6/2020 Shiels ..... A61B 17/142  
 2004/0243136 A1 \* 12/2004 Gupta ..... A61B 17/142  
 606/82  
 2011/0076927 A1 \* 3/2011 Ho ..... B24B 23/005  
 451/342  
 2013/0133501 A1 \* 5/2013 Zhang ..... B23D 61/006  
 83/697  
 2014/0325855 A1 \* 11/2014 Bozic ..... B27B 19/006  
 30/392  
 2015/0273706 A1 \* 10/2015 Martin ..... B26B 9/02  
 30/351  
 2016/0082605 A1 \* 3/2016 Marks ..... B27B 19/008  
 30/355  
 2016/0257010 A1 \* 9/2016 Jones ..... B23D 51/10  
 2017/0291238 A1 \* 10/2017 Bernardi ..... B23D 61/006

OTHER PUBLICATIONS

“New Fein Multi-Mount Oscillating Tool Blades” [online]. Stuart. [Published on Aug. 9, 2013]. Retrieved from the Internet: <<https://toolguyd.com/fein-multi-mount-oscillating-tool-blades/>>.\*

\* cited by examiner

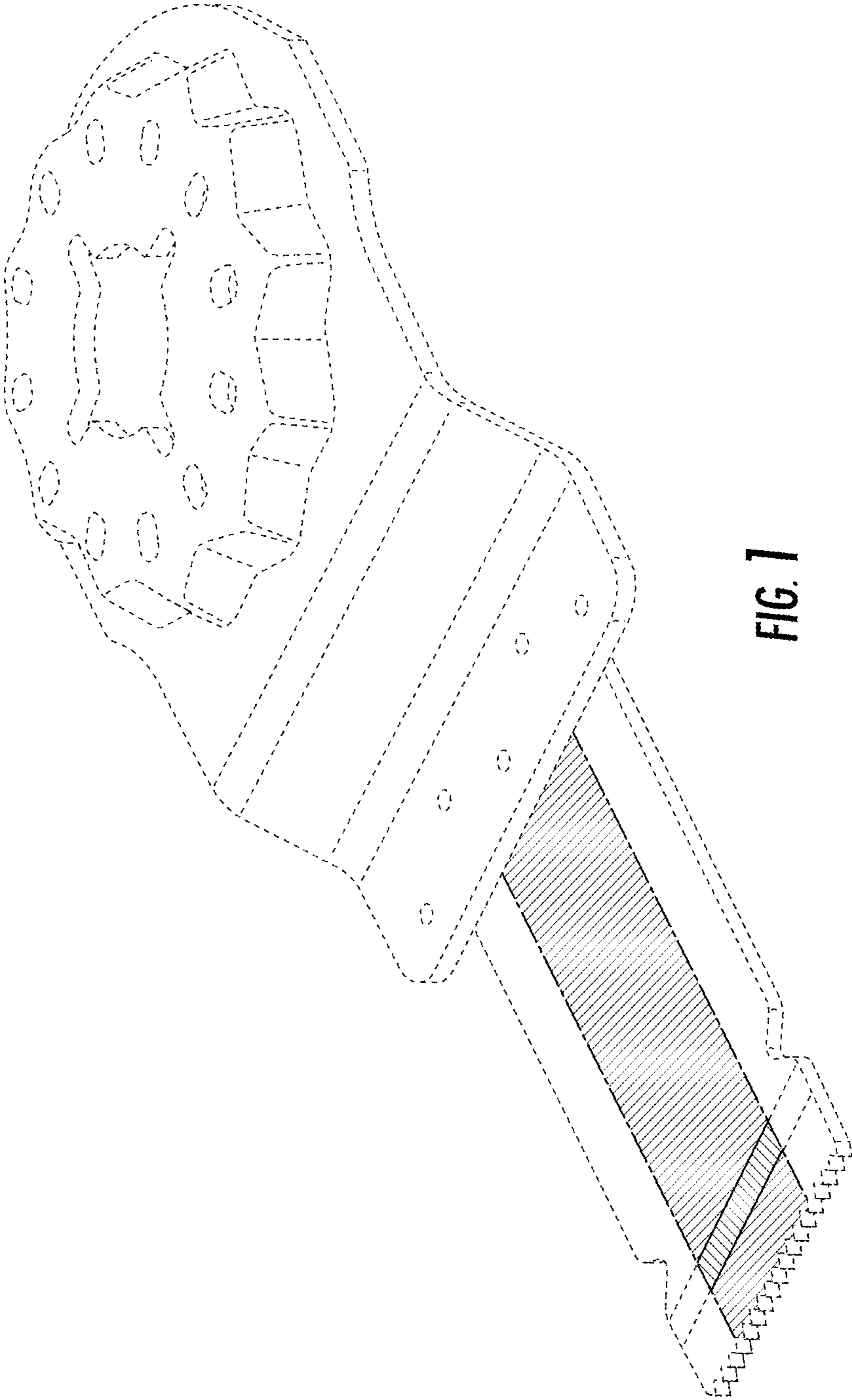
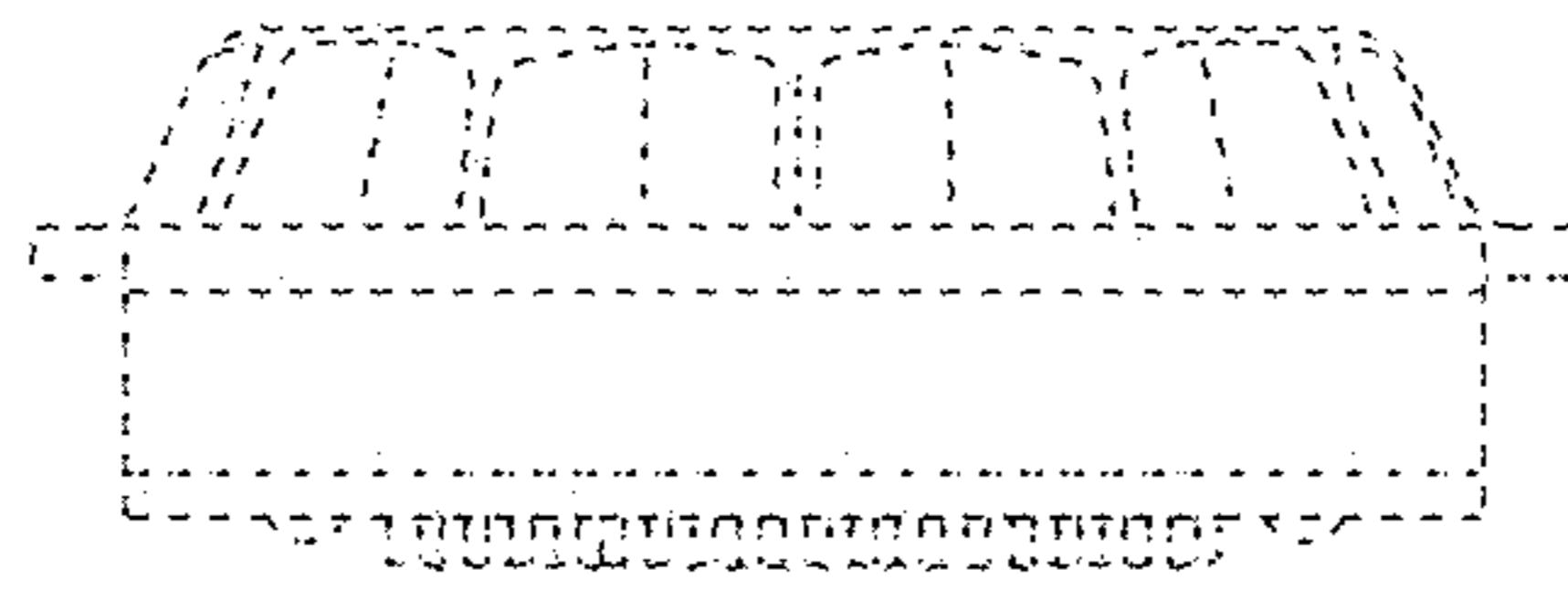
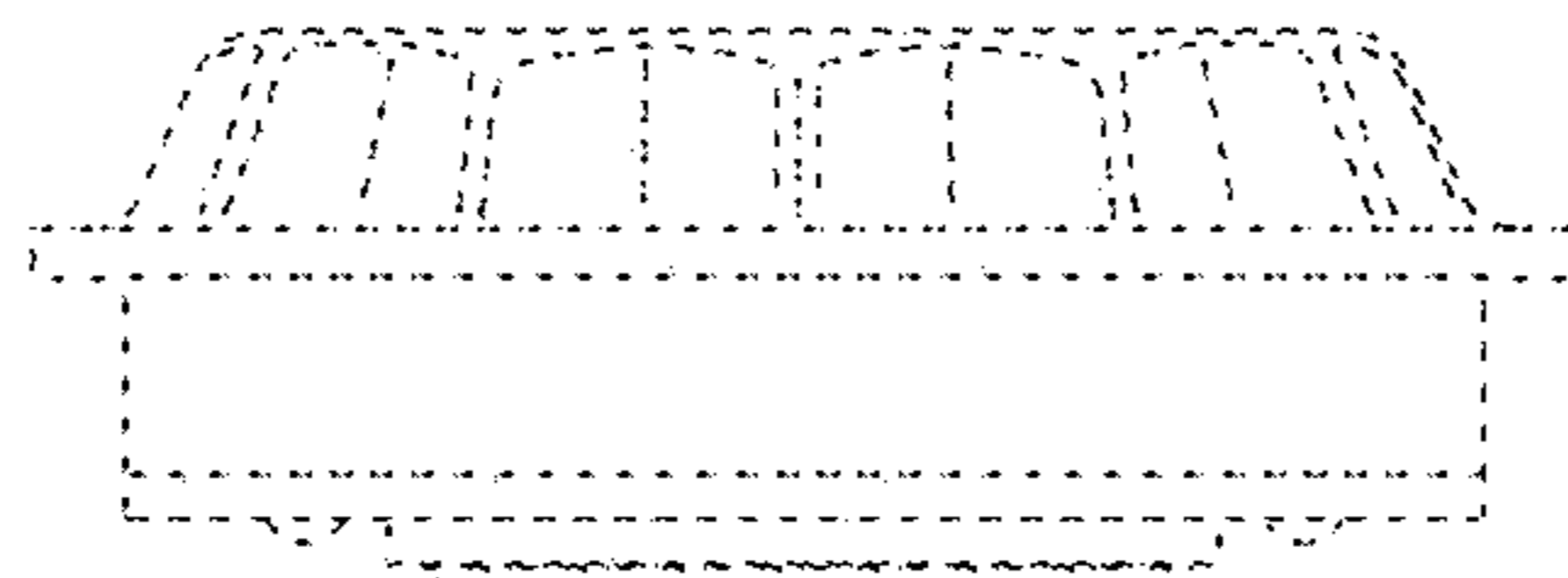


FIG. 1



**FIG. 2**



**FIG. 3**



FIG. 4

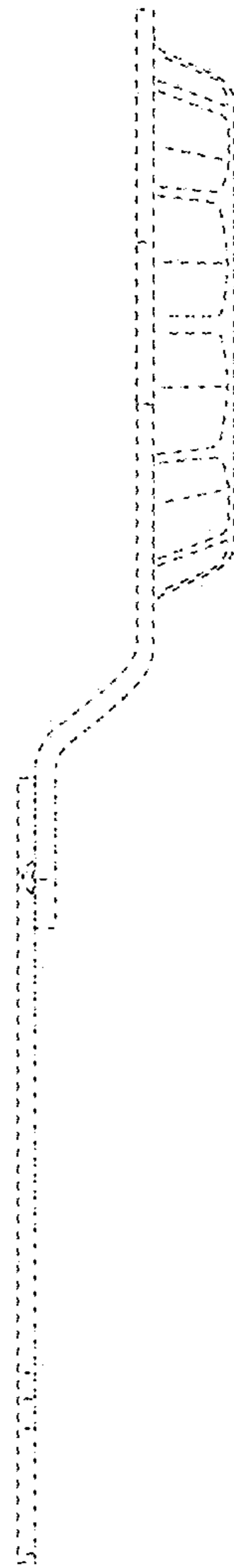


FIG. 5

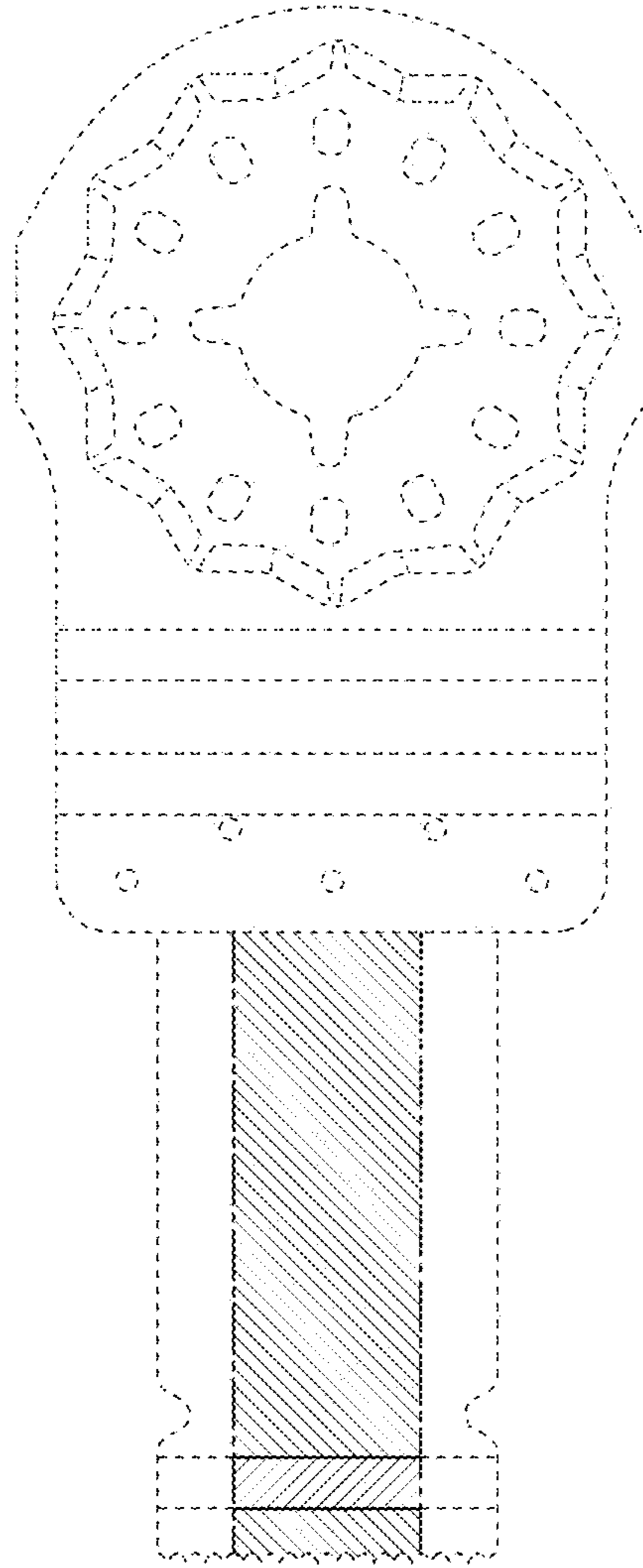
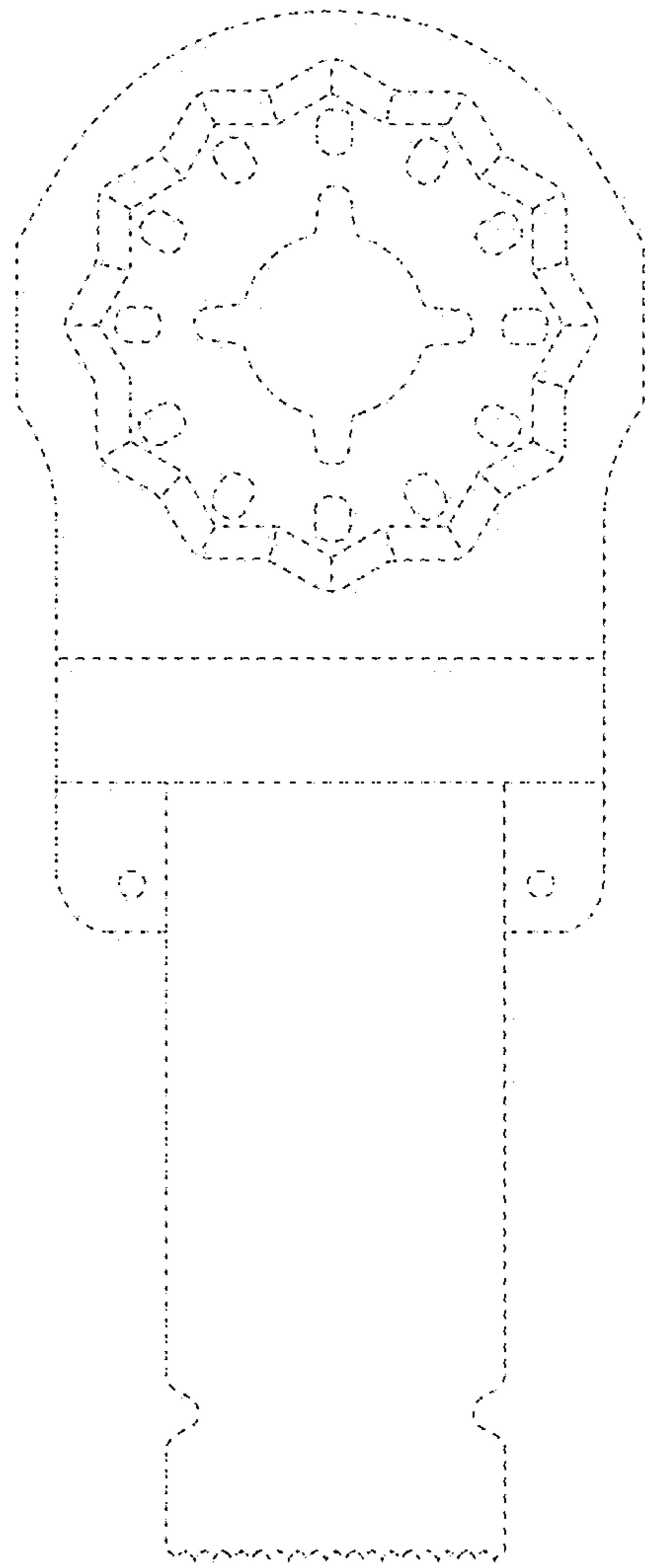


FIG. 6



**FIG. 7**