



US00D904143S

(12) **United States Design Patent**  
**Hollinger**

(10) **Patent No.:** **US D904,143 S**

(45) **Date of Patent:** **\*\* Dec. 8, 2020**

- (54) **TOOL**
- (71) Applicant: **E. MISHAN & SONS, INC.**, New York, NY (US)
- (72) Inventor: **Fred Hollinger**, Monroe Township, NJ (US)
- (73) Assignee: **E. MISHAN & SONS, INC.**, New York, NY (US)
- (\*\*) Term: **15 Years**
- (21) Appl. No.: **29/745,369**
- (22) Filed: **Aug. 5, 2020**
- (51) **LOC (12) Cl.** ..... **08-05**
- (52) **U.S. Cl.**  
USPC ..... **D8/19**
- (58) **Field of Classification Search**  
USPC ..... D8/16, 19  
CPC ..... B25F 1/00  
See application file for complete search history.

- D751,877 S \* 3/2016 Shlaferman ..... D8/19
- D792,749 S \* 7/2017 Faro ..... D8/19
- D799,301 S \* 10/2017 Cetera ..... D8/105
- D808,765 S \* 1/2018 Kisling ..... D8/105
- D815,932 S \* 4/2018 Lee ..... D8/27
- D817,196 S \* 5/2018 Haarburger ..... D10/64
- D842,070 S \* 3/2019 Kisling ..... D8/105
- D866,276 S \* 11/2019 Shlaferman ..... D8/19
- D893,975 S \* 8/2020 Tran ..... D8/105

\* cited by examiner

*Primary Examiner* — Eliza Z Bennett-Hattan

(74) *Attorney, Agent, or Firm* — Notaro, Michalos & Zaccaria P.C.

(57) **CLAIM**

The ornamental design for a tool, as shown and described.

**DESCRIPTION**

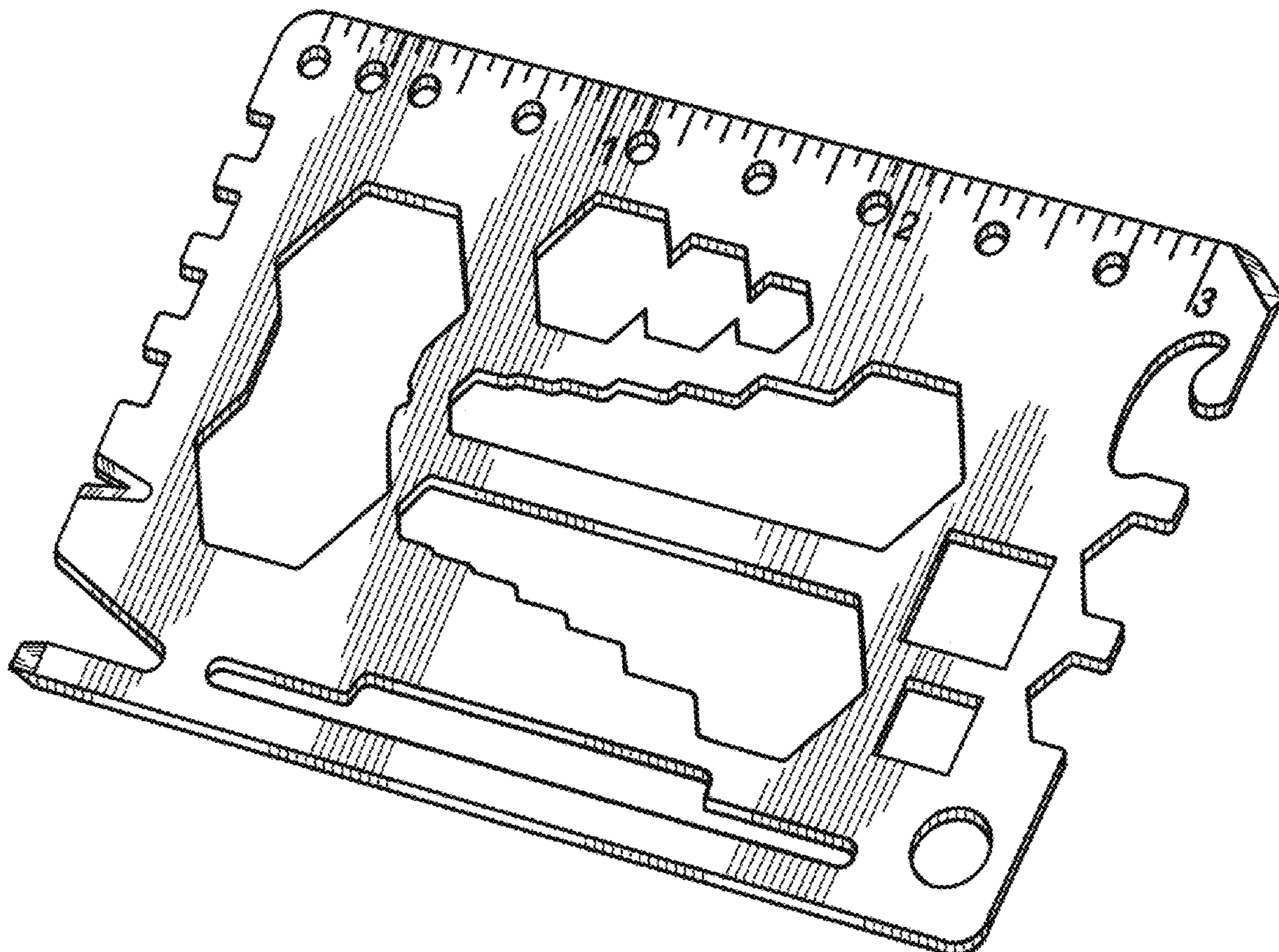
FIG. 1 is a top, front perspective view of a tool showing my design therefor;  
 FIG. 2 is a top plan view thereof; and  
 FIG. 3 is a bottom plan view thereof  
 FIG. 4 is a front elevational view thereof;  
 FIG. 5 is a rear elevational view thereof;  
 FIG. 6 is a right side elevational view thereof; and,  
 FIG. 7 is a left side elevational view thereof.

**1 Claim, 5 Drawing Sheets**

(56) **References Cited**

**U.S. PATENT DOCUMENTS**

- D266,479 S \* 10/1982 Hayakawa ..... D8/17
- D637,500 S \* 5/2011 Corbin ..... D10/64



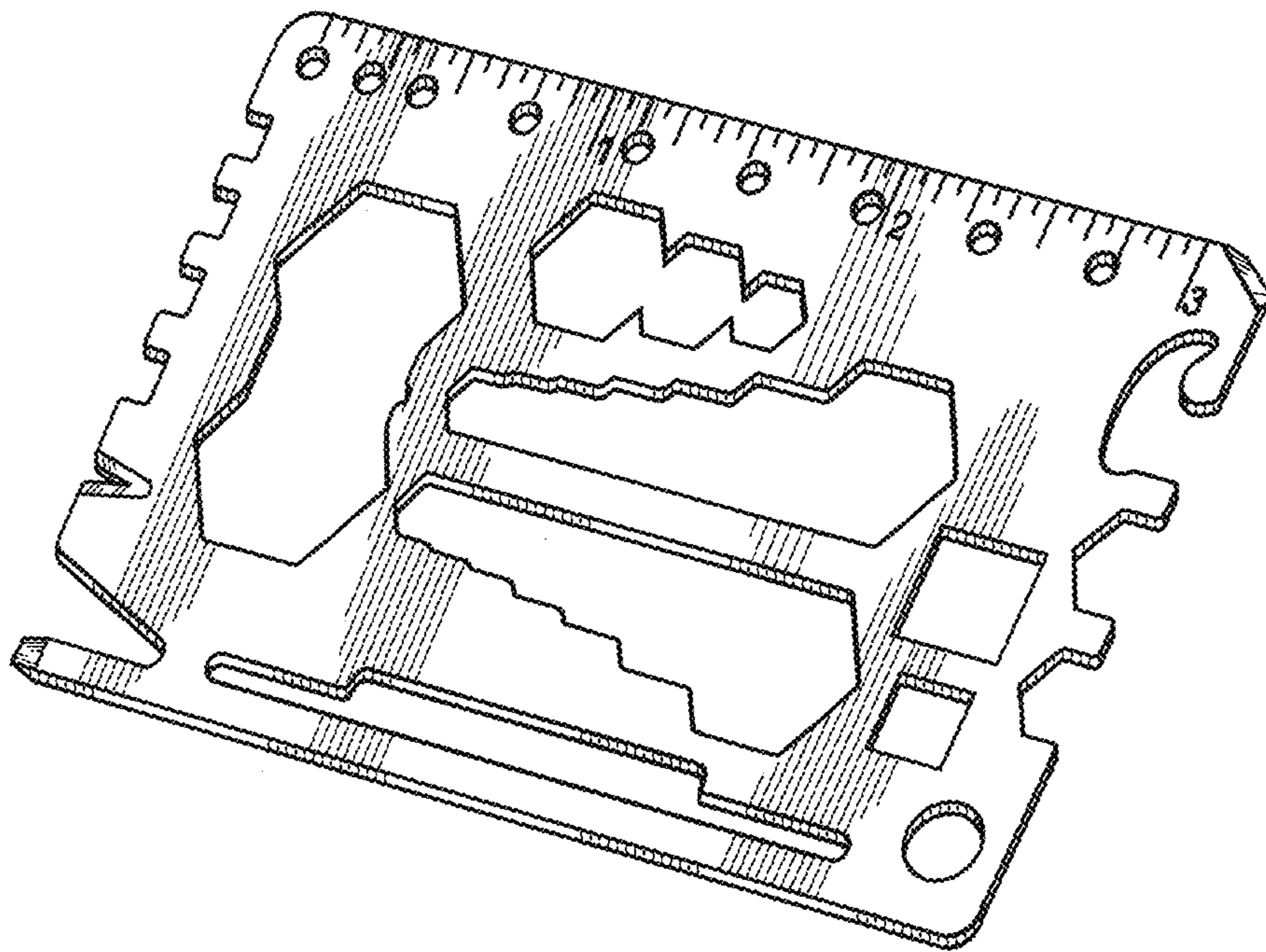


Fig.1

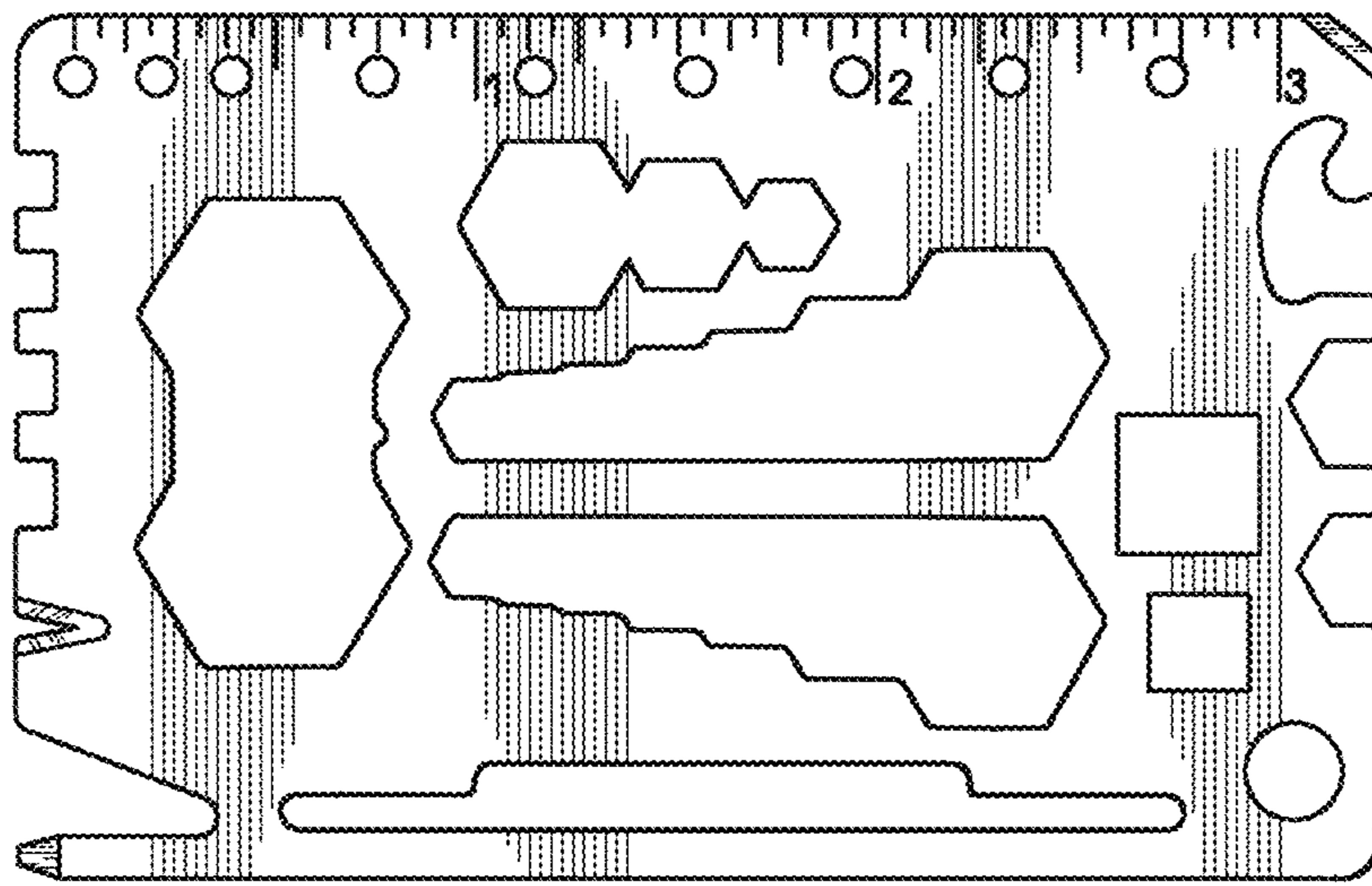


Fig.2

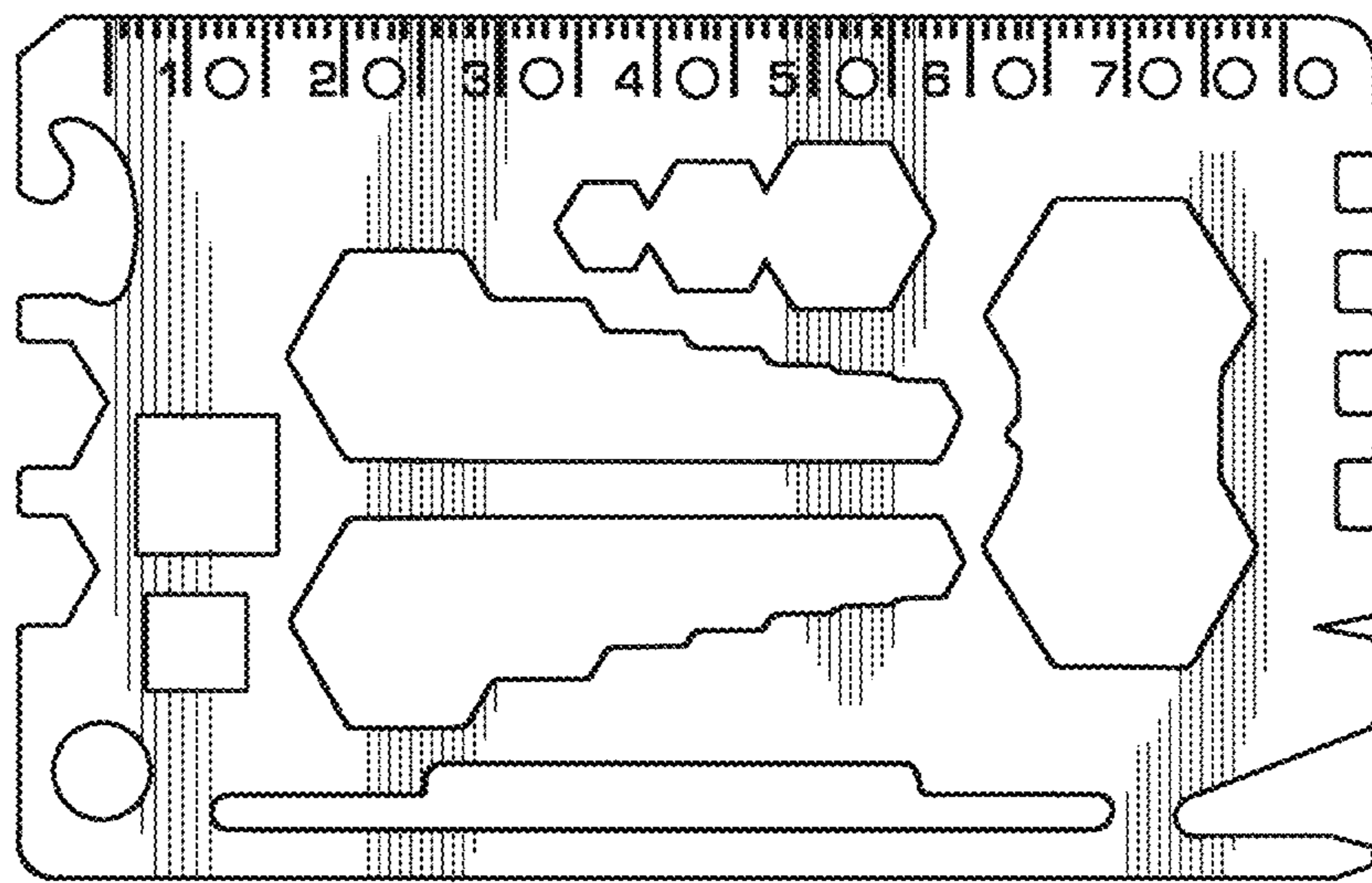


Fig. 3

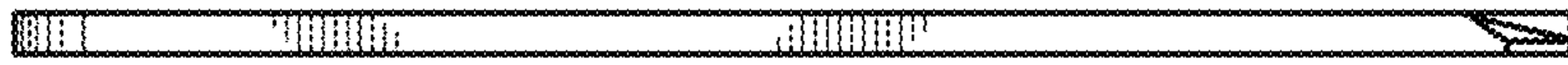


Fig. 4



Fig. 5

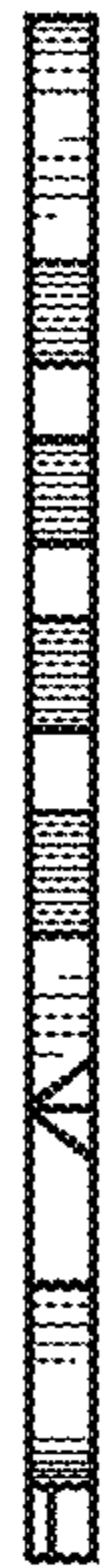


Fig.6



Fig.7