



US00D904141S

(12) **United States Design Patent** (10) **Patent No.:** **US D904,141 S**
Tinius (45) **Date of Patent:** **** Dec. 8, 2020**

(54) **RECIPROCATING CUTTING TOOL**

5,142,853 A * 9/1992 Routery A01D 34/412
56/242

(71) Applicant: **Andreas Stihl AG & Co. KG**,
Waiblingen (DE)

D352,214 S * 11/1994 Kiyooka D8/8
D353,084 S * 12/1994 Kiyooka A01D 34/404
D8/8

(72) Inventor: **Michael Tinius**, Ulm (DE)

OTHER PUBLICATIONS

(73) Assignee: **Andreas Stihl AG & Co. KG**,
Waiblingen (DE)

Groundcare Essentials, Echo PRS230M Rotary Scissor Brush Cutter head, undated online product page, retrieved Aug. 7, 2020 from <URL:https://www.groundcareessentials.com/product/echo-prs230m-scissor-brush-cutter-head/> (Year: 2020).*

(**) Term: **15 Years**

* cited by examiner

(21) Appl. No.: **29/684,967**

(22) Filed: **Mar. 25, 2019**

Primary Examiner — Sheryl Lane

Assistant Examiner — Calvin E Vansant

(30) **Foreign Application Priority Data**

(74) *Attorney, Agent, or Firm* — McGuireWoods LLP

Oct. 9, 2018 (EM) 005779022

(51) **LOC (12) Cl.** **08-03**

(52) **U.S. Cl.**
USPC **D8/8**

(57) **CLAIM**

I claim the ornamental design for a reciprocating cutting tool, as shown and described.

(58) **Field of Classification Search**

DESCRIPTION

USPC D8/1, 7–13, 107, 499
CPC A01B 1/04; A01B 1/02; A01B 1/12; A01B 1/18; A01B 13/00; A01D 34/412; A01D 34/416; A01G 3/00; A01G 3/053; A01G 3/062; A01G 3/0535; B25F 5/02; B23D 51/08; B23D 51/10; F16H 57/0025; F16H 57/0495

FIG. 1 is a right-front perspective view of the reciprocating cutting tool showing my new design;
FIG. 2 is a right side elevation view of the reciprocating cutting tool shown in FIG. 1;
FIG. 3 is a left side elevation view of the reciprocating cutting tool shown in FIG. 1;
FIG. 4 is a bottom plan view of the reciprocating cutting tool shown in FIG. 1;
FIG. 5 is a top plan view of the reciprocating cutting tool shown in FIG. 1;
FIG. 6 is a front elevation view of the reciprocating cutting tool shown in FIG. 1;
FIG. 7 is a rear elevation view of the reciprocating cutting tool shown in FIG. 1; and,
FIG. 8 is right-rear perspective view of the reciprocating cutting tool of FIG. 1.

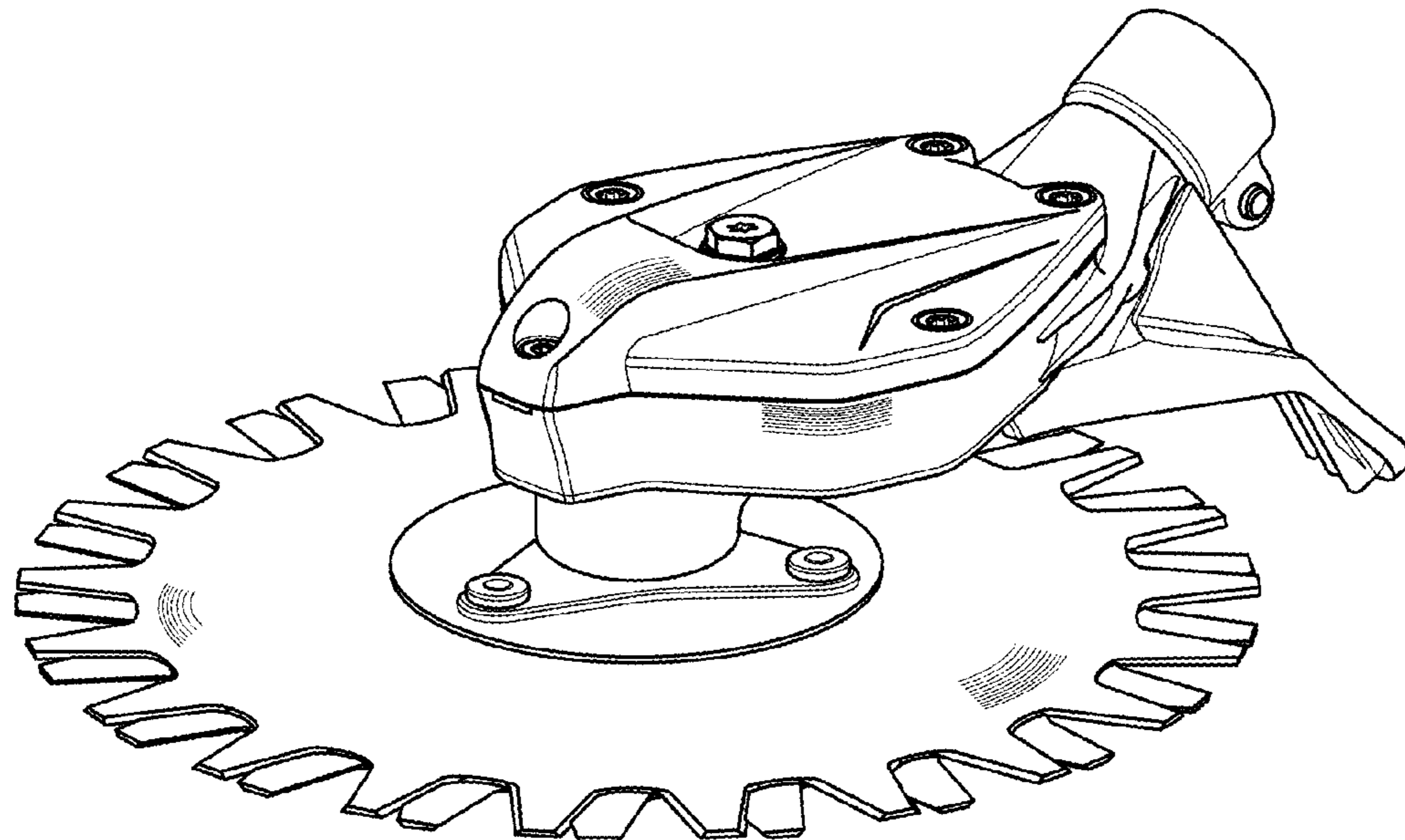
See application file for complete search history.

(56) **References Cited**

U.S. PATENT DOCUMENTS

4,881,363 A * 11/1989 Terai A01D 34/404
56/255
D323,330 S * 1/1992 Wada D15/29
D326,270 S * 5/1992 Wada D8/8

1 Claim, 8 Drawing Sheets



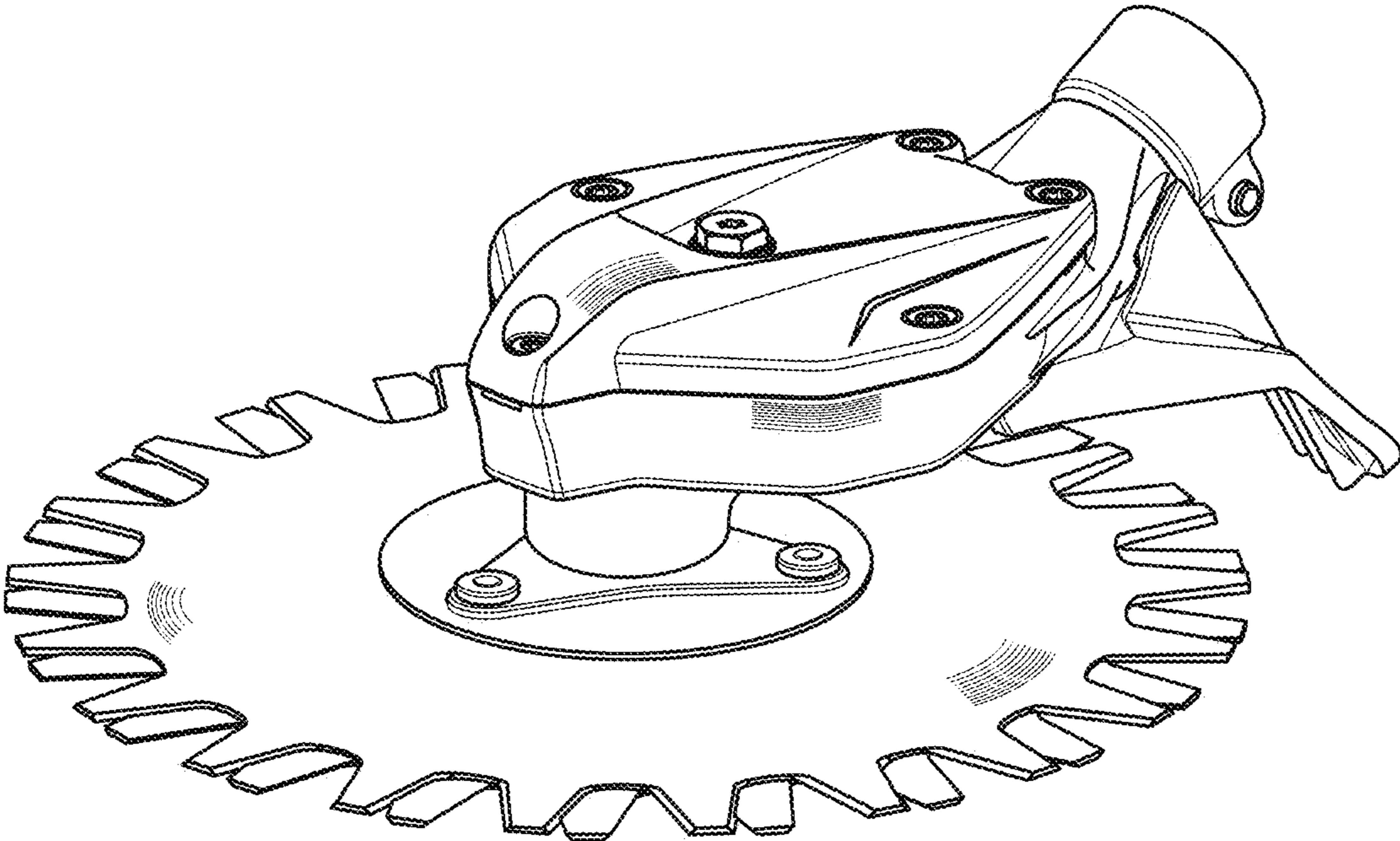


FIG. 1

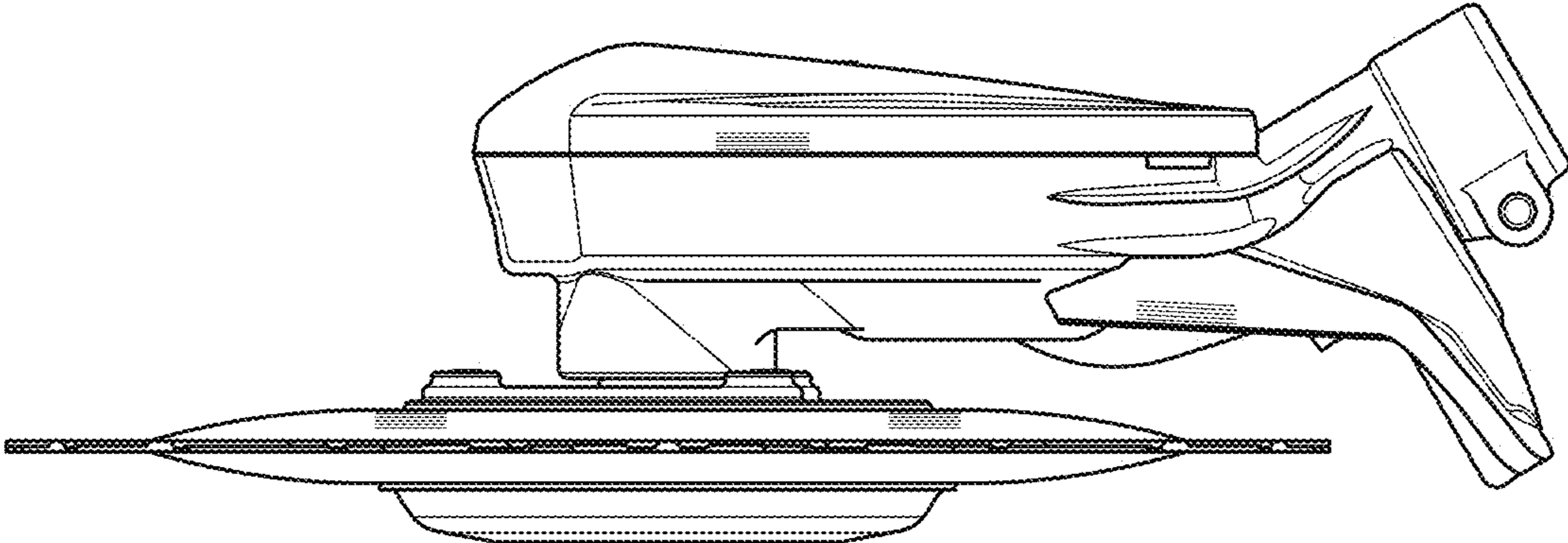


FIG. 2

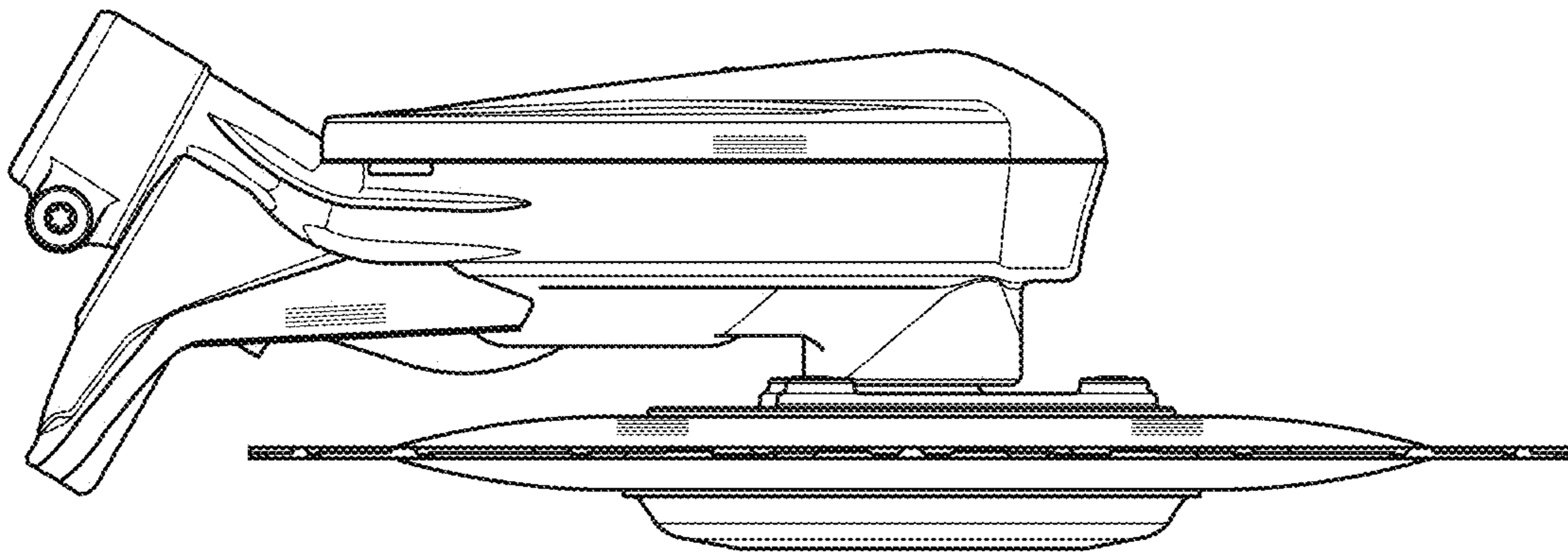


FIG. 3

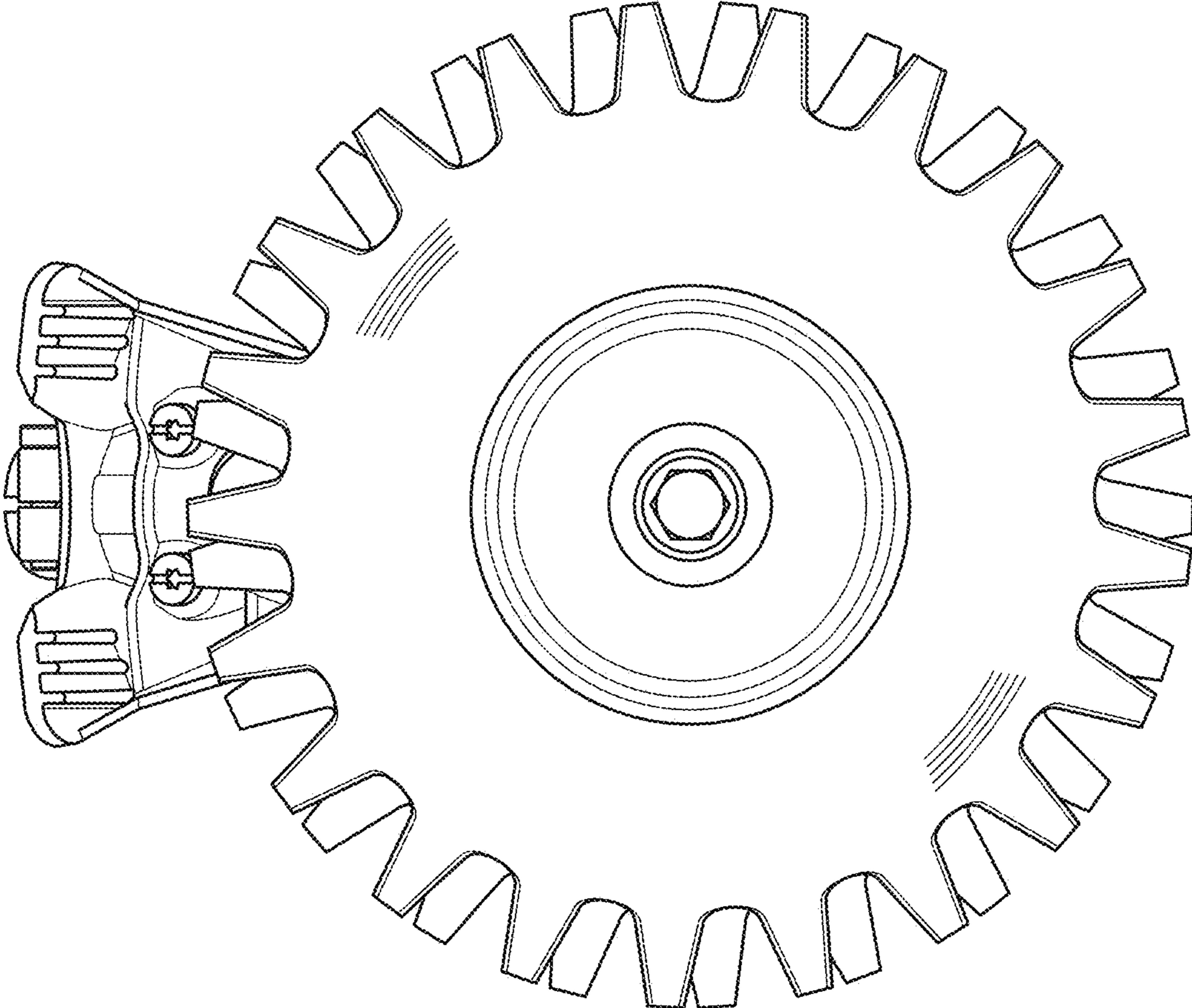


FIG. 4

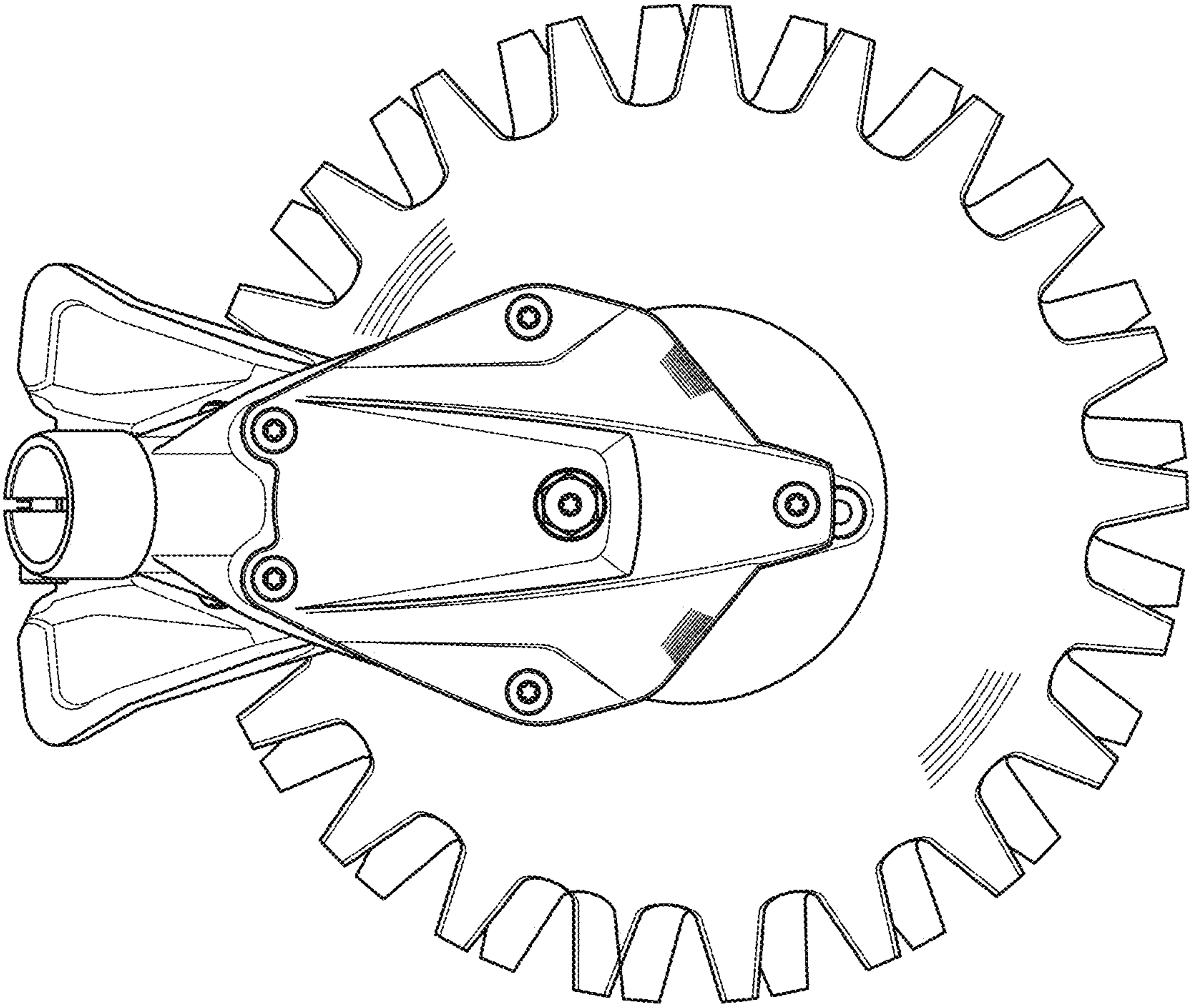


FIG. 5

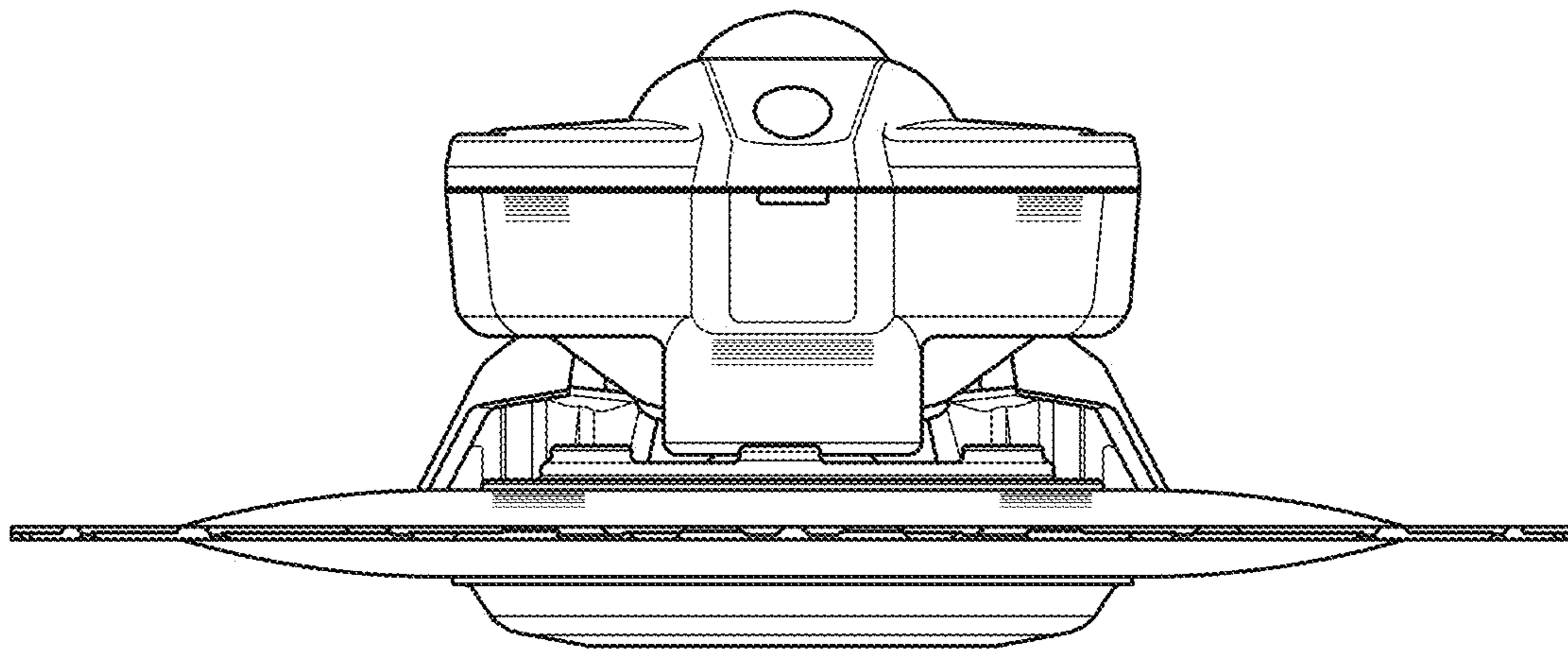


FIG. 6

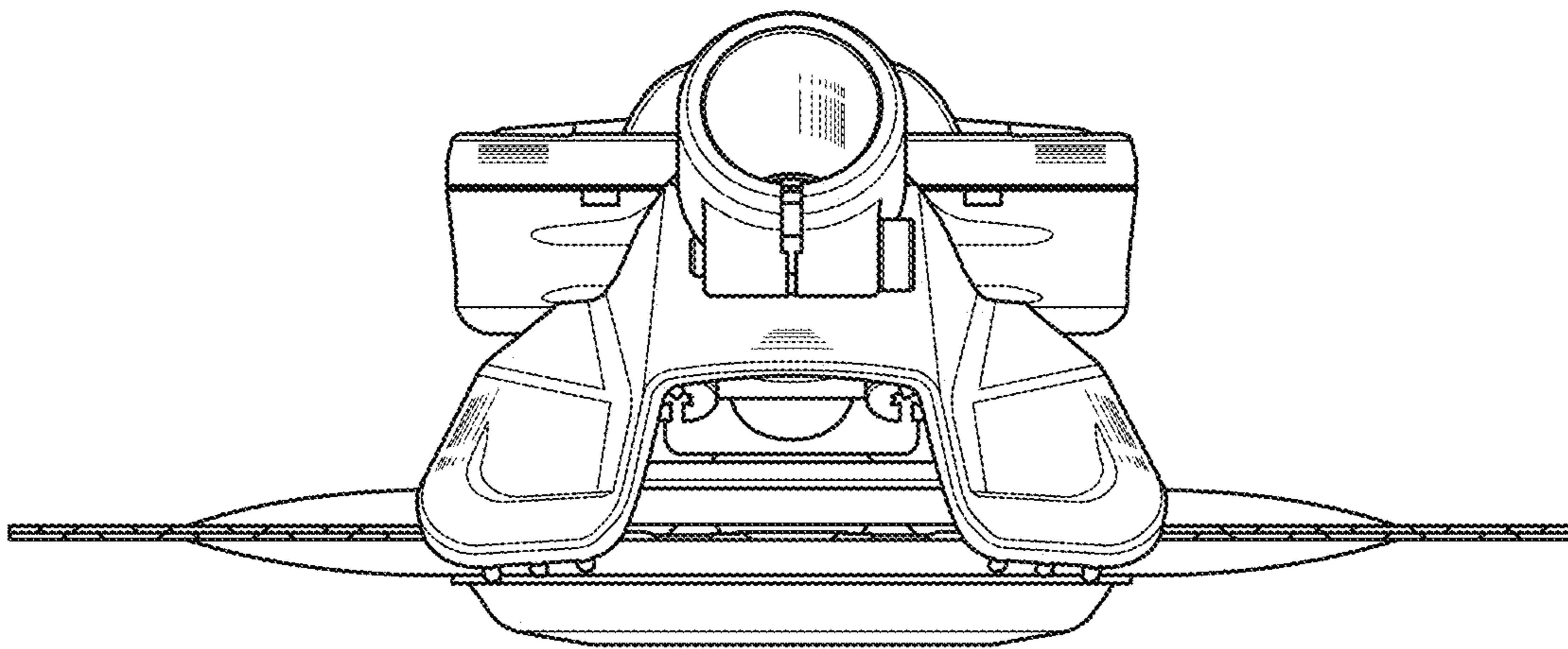


FIG. 7

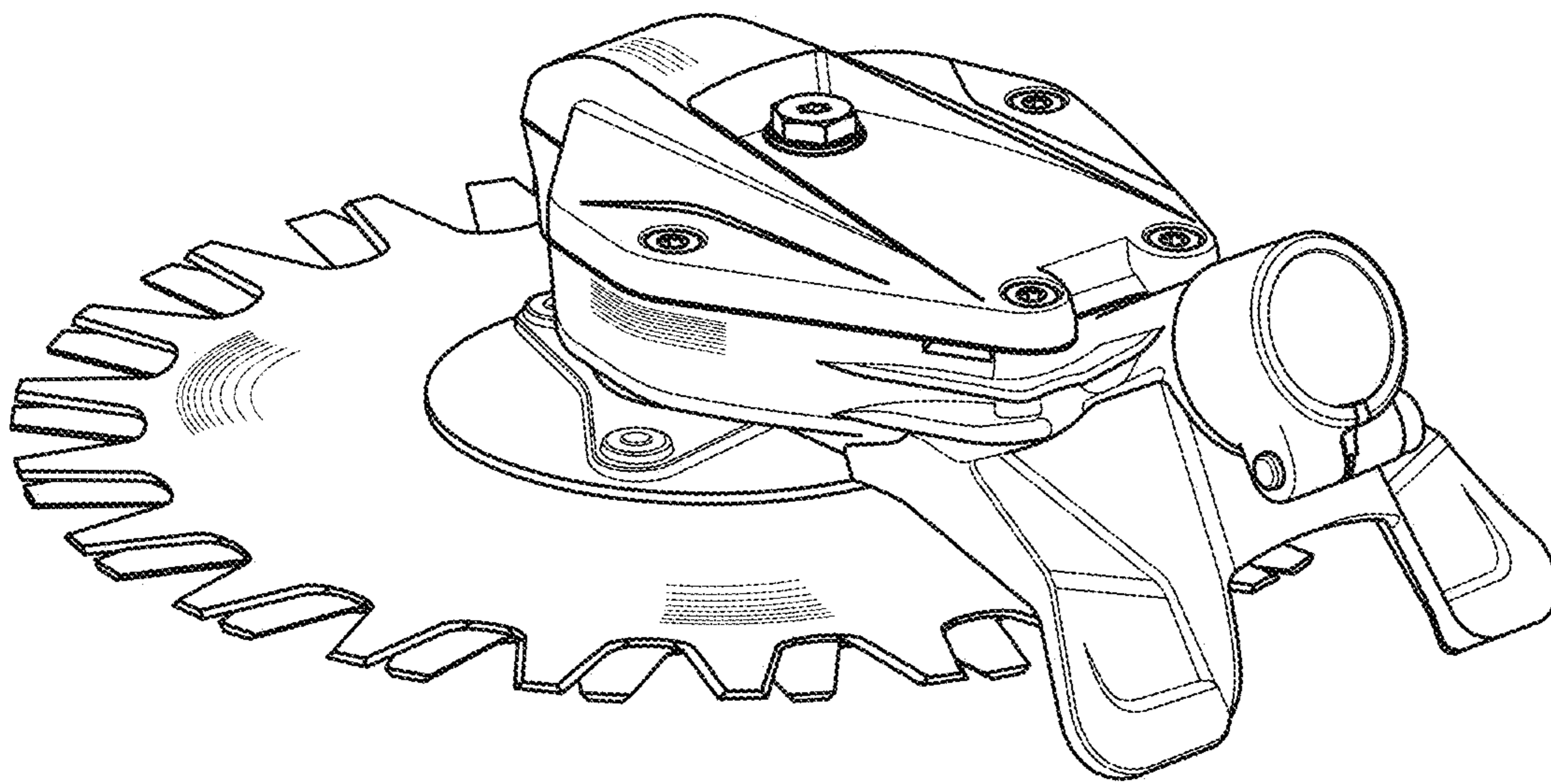


FIG. 8