



US00D904140S

(12) **United States Design Patent** (10) **Patent No.:** **US D904,140 S**  
**Thorn** (45) **Date of Patent:** **\*\* Dec. 8, 2020**

(54) **HAND TOOL**  
(71) Applicant: **OAKTHRIFT CORPORATION LTD,**  
Hertfordshire (GB)  
(72) Inventor: **James John Thorn,** Hertfordshire (GB)  
(73) Assignee: **OAKTHRIFT CORPORATION**  
**LTD.,** Hertfordshire (GB)

(\*\*) Term: **15 Years**  
(21) Appl. No.: **29/669,998**  
(22) Filed: **Nov. 13, 2018**

(30) **Foreign Application Priority Data**  
May 15, 2018 (EM) ..... 005269214-0001  
(51) **LOC (12) Cl.** ..... **08-01**  
(52) **U.S. Cl.**  
USPC ..... **D8/4**  
(58) **Field of Classification Search**  
USPC ..... D8/1, 4, 7-13, 107, 499; D15/17  
CPC .... A01B 1/04; A01B 1/02; A01B 1/12; A01B  
1/18; A01B 13/00; A01D 34/412; A01D  
34/416; A01G 3/00; A01G 3/025; A01G  
3/0251; A01G 3/053; A01G 3/062; A01G  
3/0535; B25F 5/02; B23D 51/08; B23D  
51/10; F16H 57/0025; F16H 57/0495  
See application file for complete search history.

(56) **References Cited**  
U.S. PATENT DOCUMENTS  
D304,154 S \* 10/1989 Osterhout ..... A01G 3/02  
D8/99  
4,964,216 A \* 10/1990 Gosselin ..... B26B 13/00  
30/194  
D444,043 S \* 6/2001 Choi ..... B25G 1/04  
D8/5  
10,212,891 B1 \* 2/2019 Wu ..... A01G 3/021

2002/0073557 A1\* 6/2002 Huang ..... A01G 3/0251  
30/341  
2007/0079512 A1\* 4/2007 Nelson ..... A01G 3/0251  
30/123.3  
2011/0000026 A1\* 1/2011 Shan ..... B25G 1/04  
7/135  
2018/0310486 A1\* 11/2018 Thorn ..... A01G 3/02  
2019/0159405 A1\* 5/2019 Jacques ..... A01G 3/0251

**OTHER PUBLICATIONS**

Amazon.com, Greenworks HA6901R-3 Heavy Duty Bypass Lopper, undated online product page, retrieved Aug. 11, 2020 from <URL:https://www.amazon.com/Greenworks-HA6901R-3-Heavy-Bypass-Lopper/dp/B07DVK9TZ4> (Year: 2020).\*

\* cited by examiner

*Primary Examiner* — Sheryl Lane  
*Assistant Examiner* — Calvin E Vansant  
(74) *Attorney, Agent, or Firm* — Weiss & Moy, P.C.;  
Jeffrey D. Moy

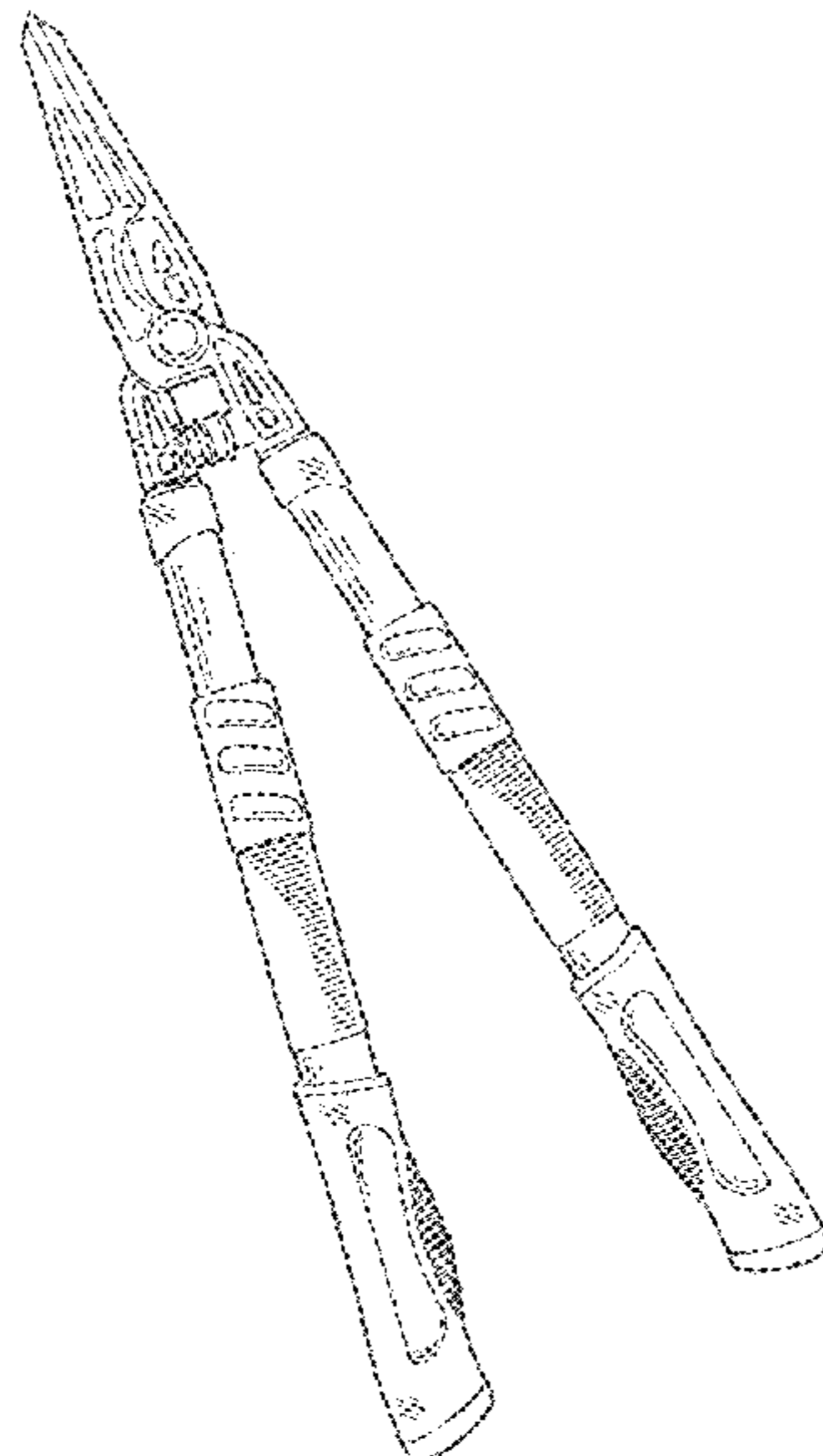
(57) **CLAIM**

The ornamental design for a hand tool, as shown and described.

**DESCRIPTION**

FIG. 1 is a front perspective view of a hand tool, showing my new design;  
FIG. 2 is a rear perspective view thereof;  
FIG. 3 is a right side view thereof, the left side view being a mirror image thereof;  
FIG. 4 is a rear perspective view thereof, with the hand tool in an open position;  
FIG. 5 is a rear perspective view thereof, with one handle in an extend position; and,  
FIG. 6 is a rear perspective view thereof, with both handles in an extend position.

**1 Claim, 6 Drawing Sheets**



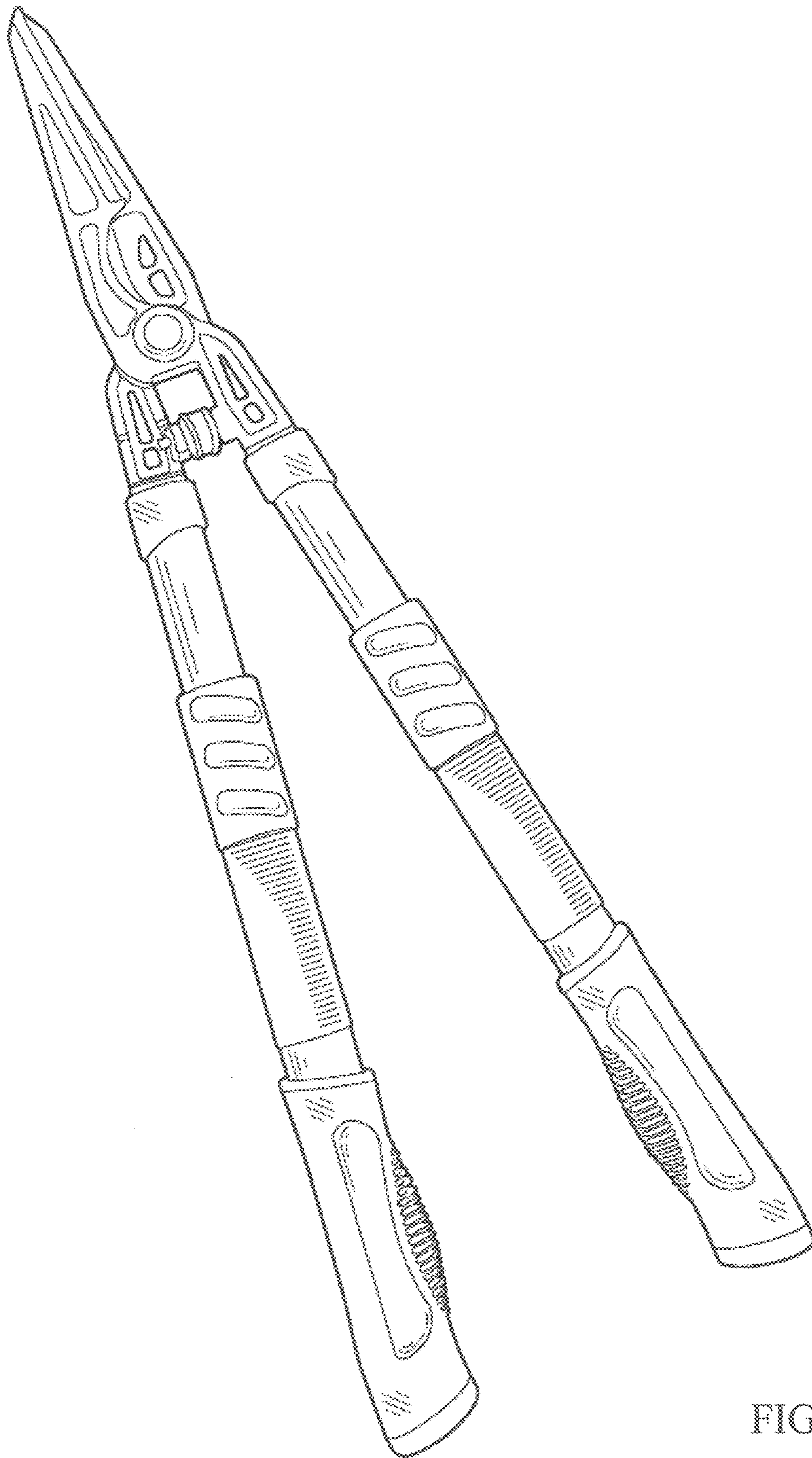


FIG. 1

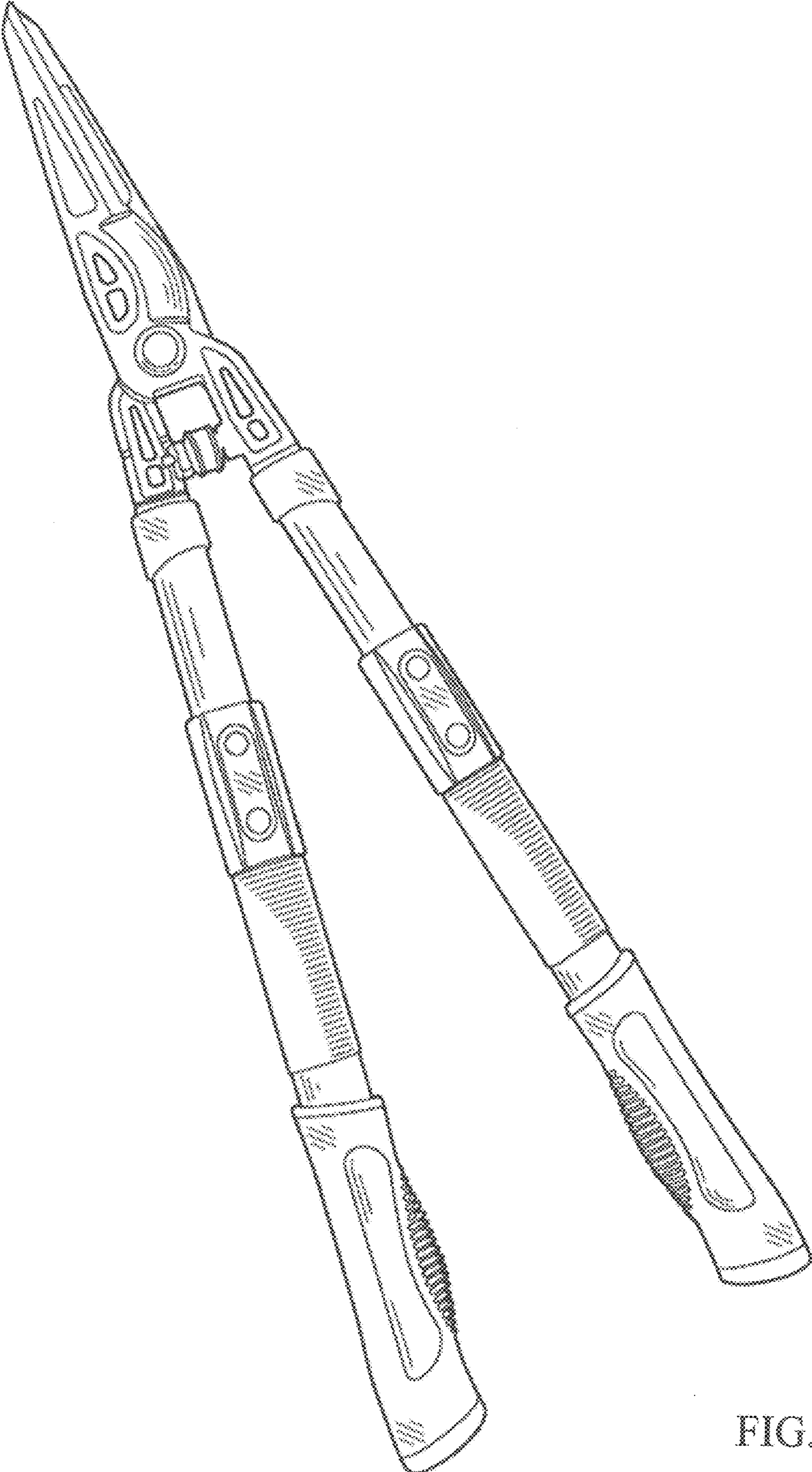


FIG. 2

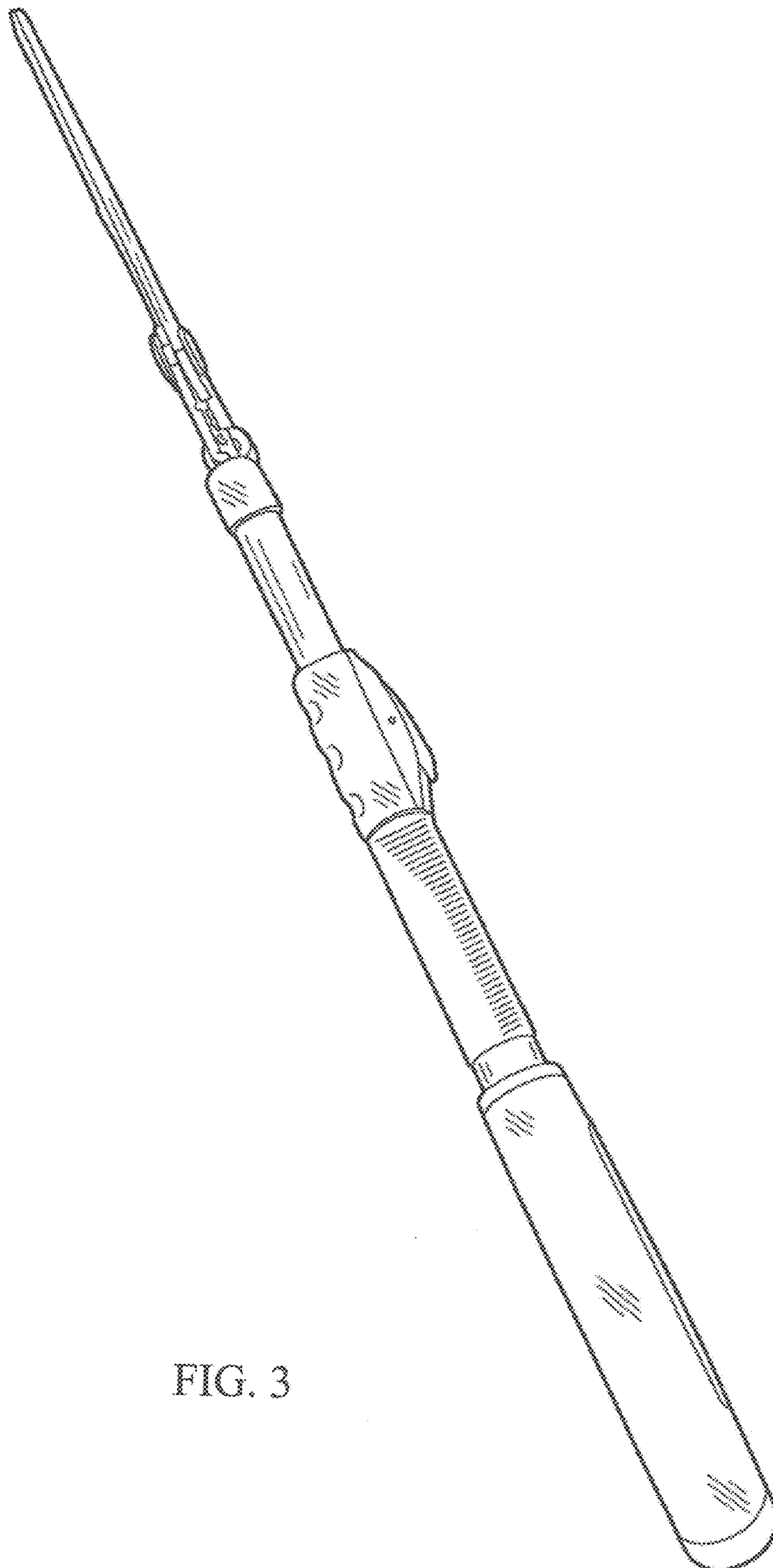


FIG. 3

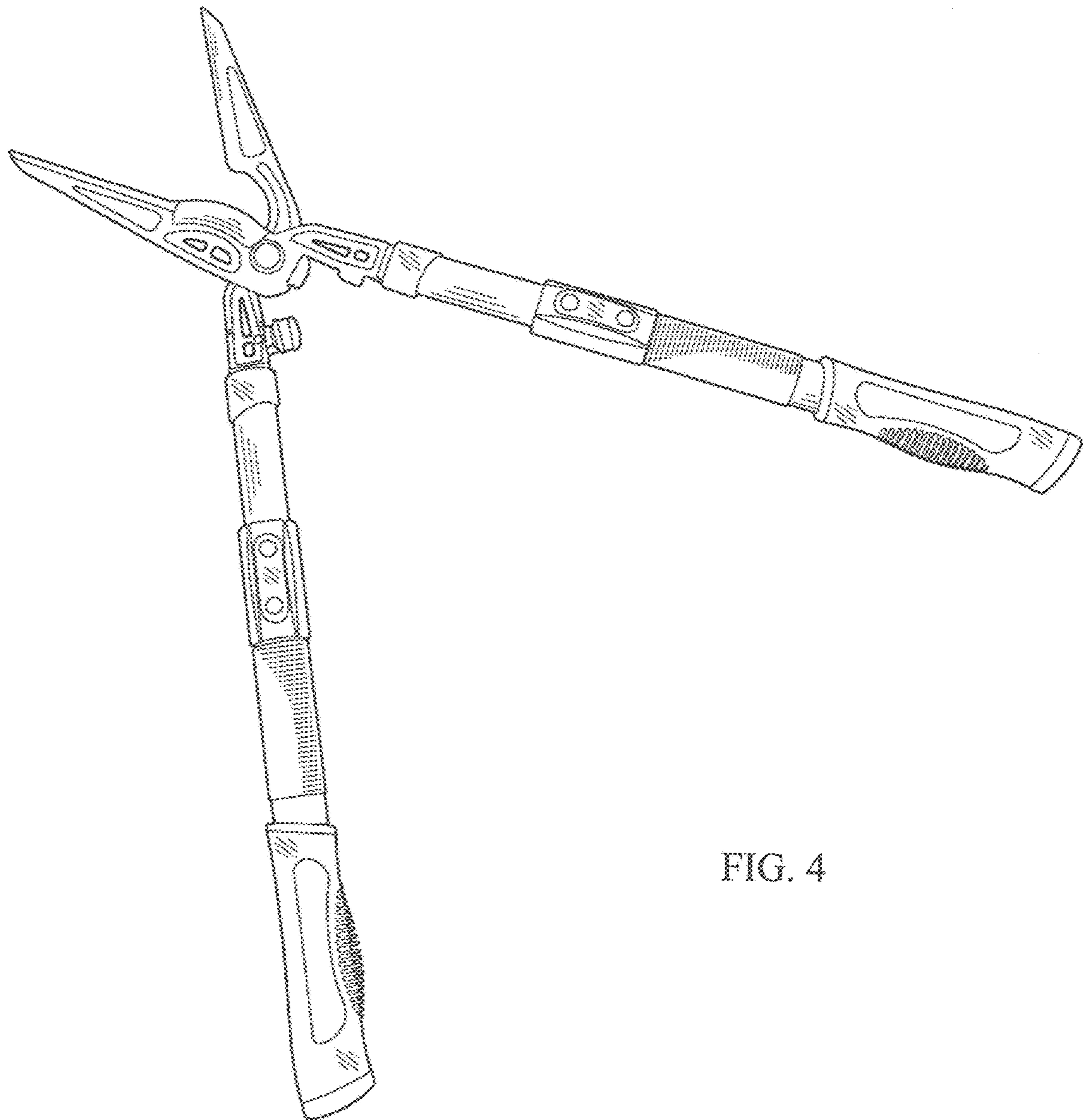


FIG. 4

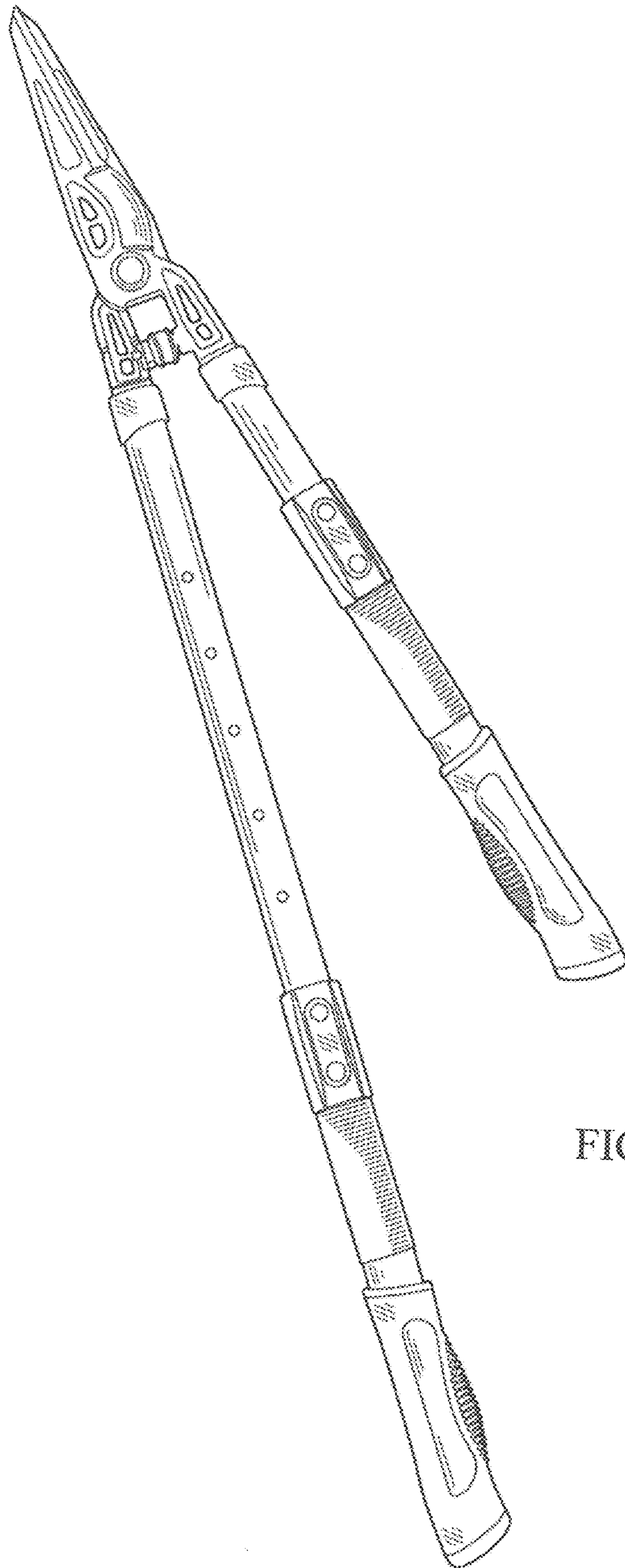


FIG. 5

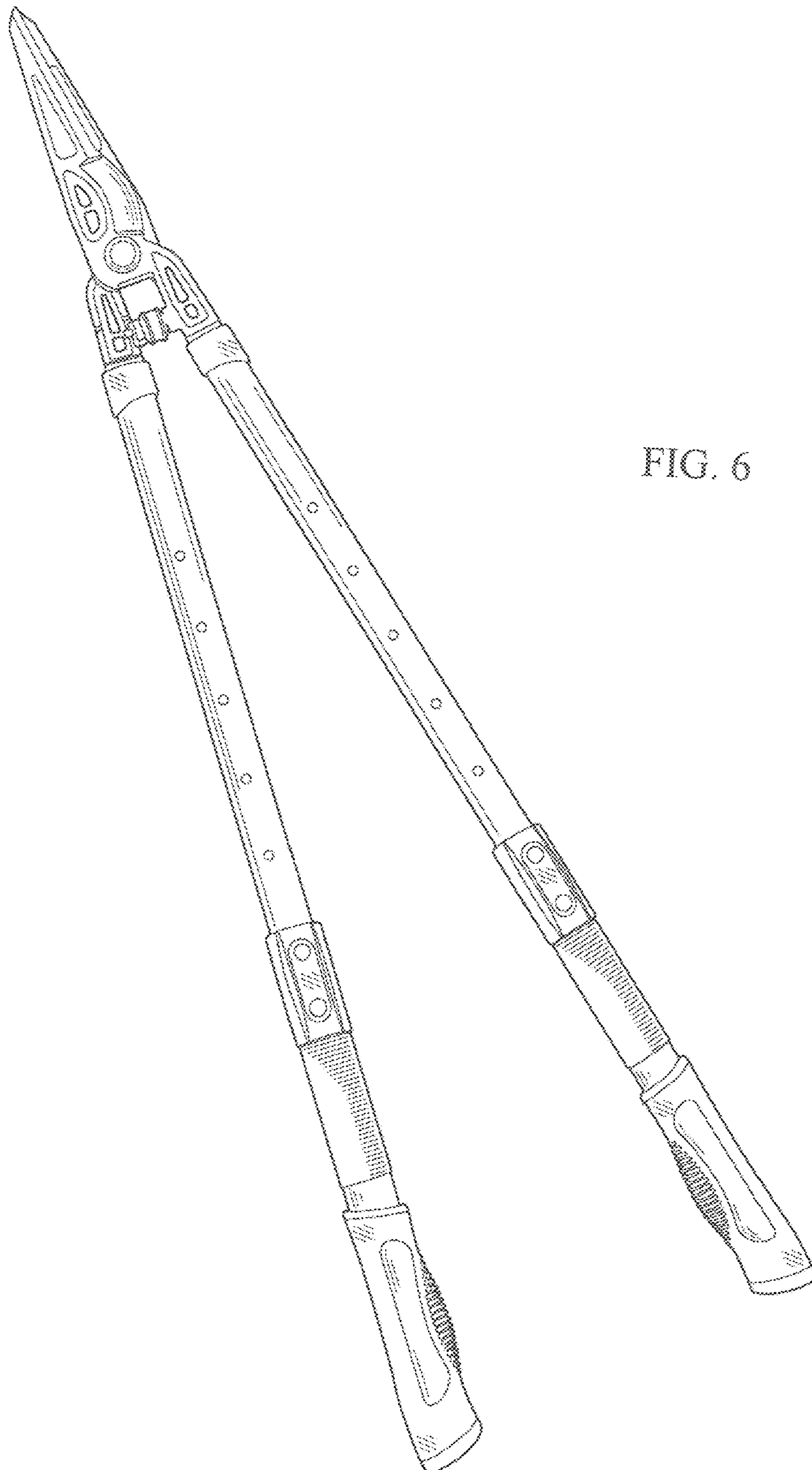


FIG. 6