



US00D904139S

(12) **United States Design Patent** (10) **Patent No.:** **US D904,139 S**
Bell (45) **Date of Patent:** **** Dec. 8, 2020**

(54) **COMBINED FOOD AND BEVERAGE CONTAINER**

(71) Applicant: **Lisa Renee Bell**, Oxon Hill, MD (US)

(72) Inventor: **Lisa Renee Bell**, Oxon Hill, MD (US)

(**) Term: **15 Years**

(21) Appl. No.: **29/688,918**

(22) Filed: **Apr. 25, 2019**

2004/0159660 A1 8/2004 Cinque
2005/0035125 A1* 2/2005 Bae B65D 45/20
220/326
2005/0045791 A1 3/2005 Maniaci
2006/0266748 A1 11/2006 Crawford
2006/0283866 A1* 12/2006 Mendenhall A47G 19/06
220/575
2014/0021206 A1* 1/2014 Vernon B65D 81/3216
220/574.1
2014/0103033 A1* 4/2014 Beckman B65D 43/0212
220/4.01
2015/0122824 A1 5/2015 Margulis
2016/0287024 A1* 10/2016 Bach A47G 23/06

Related U.S. Application Data

(63) Continuation-in-part of application No. 15/491,132, filed on Apr. 19, 2017, now abandoned.

(51) **LOC (12) Cl.** **07-06**

(52) **U.S. Cl.**
USPC **D7/703; D7/629**

(58) **Field of Classification Search**
USPC D7/701-708, 619.1-625, 550.1, D7/553.1-554.4, 629, 630; D9/424-432
CPC A47G 19/06; A47G 19/08; A47G 19/065; A47G 19/00; A47G 19/02; A47G 23/02; A47G 23/06; B65D 1/36; B65D 43/0212; B65D 45/20; A47J 47/14
See application file for complete search history.

OTHER PUBLICATIONS

Drink 'N' Plate: <https://www.amazon.com/DRINK-N-PLATE-DNP24LD-Drink/dp/B003VBLS8S>, Accessed: Mar. 31, 2017; 5 pgs.

(Continued)

Primary Examiner — Terry A Wallace
(74) *Attorney, Agent, or Firm* — Maier & Maier, PLLC

(57) **CLAIM**

The ornamental design for a combined food and beverage container, as shown and described.

(56) **References Cited**

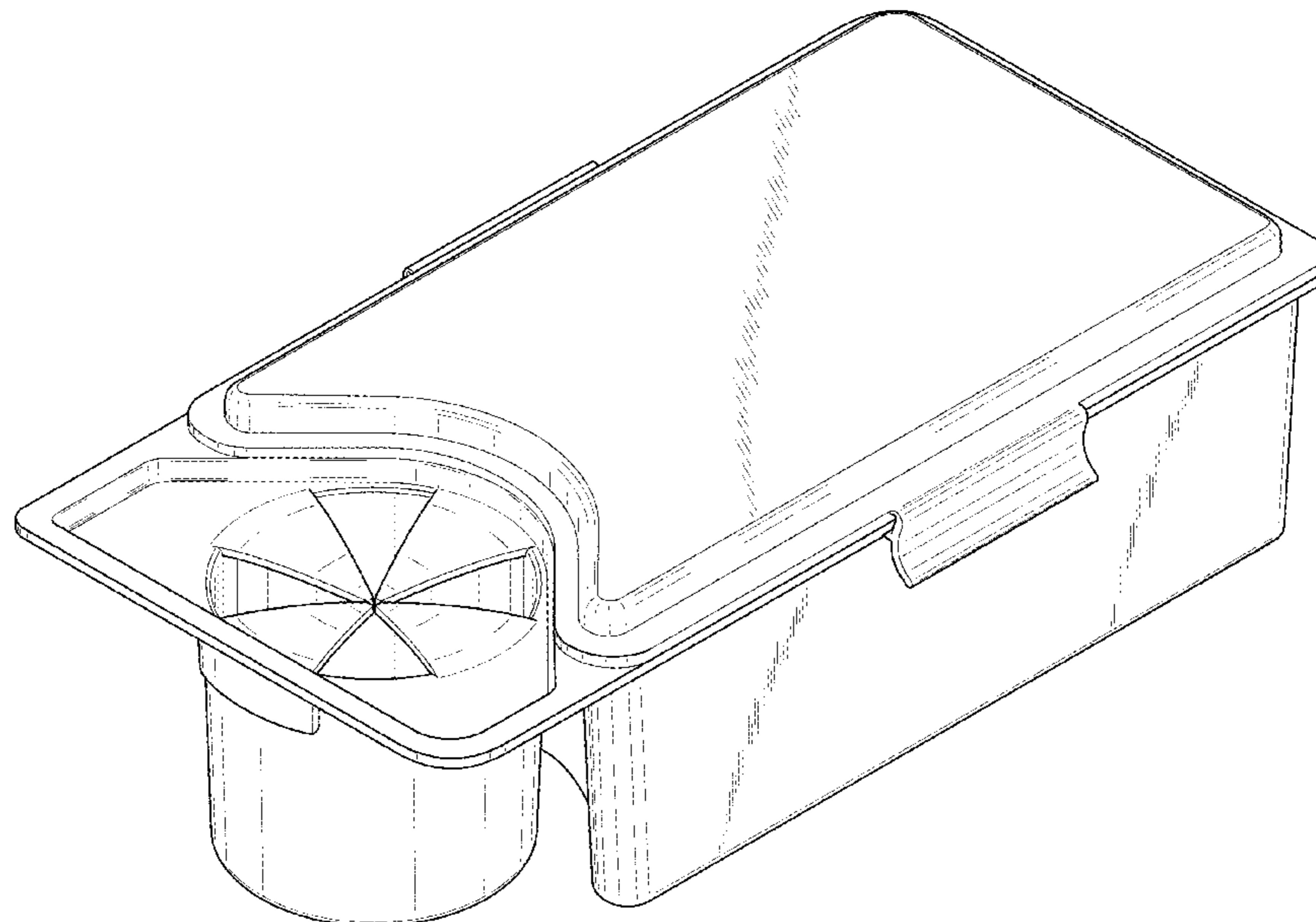
U.S. PATENT DOCUMENTS

3,115,251 A 12/1963 Farrell
4,643,381 A * 2/1987 Levy A47G 19/06
248/154
5,119,967 A 6/1992 Ercolani
5,803,305 A 9/1998 Perlis et al.
5,857,583 A 1/1999 Chantaca
5,950,856 A 9/1999 Cinque
6,129,232 A * 10/2000 Williams A47G 23/06
220/23.83
8,985,379 B1 3/2015 Evans

DESCRIPTION

FIG. 1 is an isometric view of a combined food and beverage container, showing my design;
FIG. 2 is a top plan view thereof;
FIG. 3 is a bottom plan view thereof;
FIG. 4 is a front elevational view thereof;
FIG. 5 is a rear elevational view thereof;
FIG. 6 is a right side elevational view thereof; and,
FIG. 7 is a left side elevational view thereof.

1 Claim, 5 Drawing Sheets



(56)

References Cited

OTHER PUBLICATIONS

Go Plate 1Handed Plate: <https://www.amazon.com/Creative-Concepts-USA-01645-1Handed/dp/B00ZN035KY>, Accessed: Mar. 31, 2017; 6 pgs.

3 Pk, Party Green Plates with Built-in Cup Holder—12 Pack: https://www.amazon.com/Party-Green-Plates-Built-Holder/dp/B00S77NVPY/ref=pd_lpo_79_tr_t_2?ie=UTF8&psc=1&refRID=B63C5GXX93HGQWMZY1ZZ, Accessed: Mar. 31, 2017; 5 pgs.

* cited by examiner

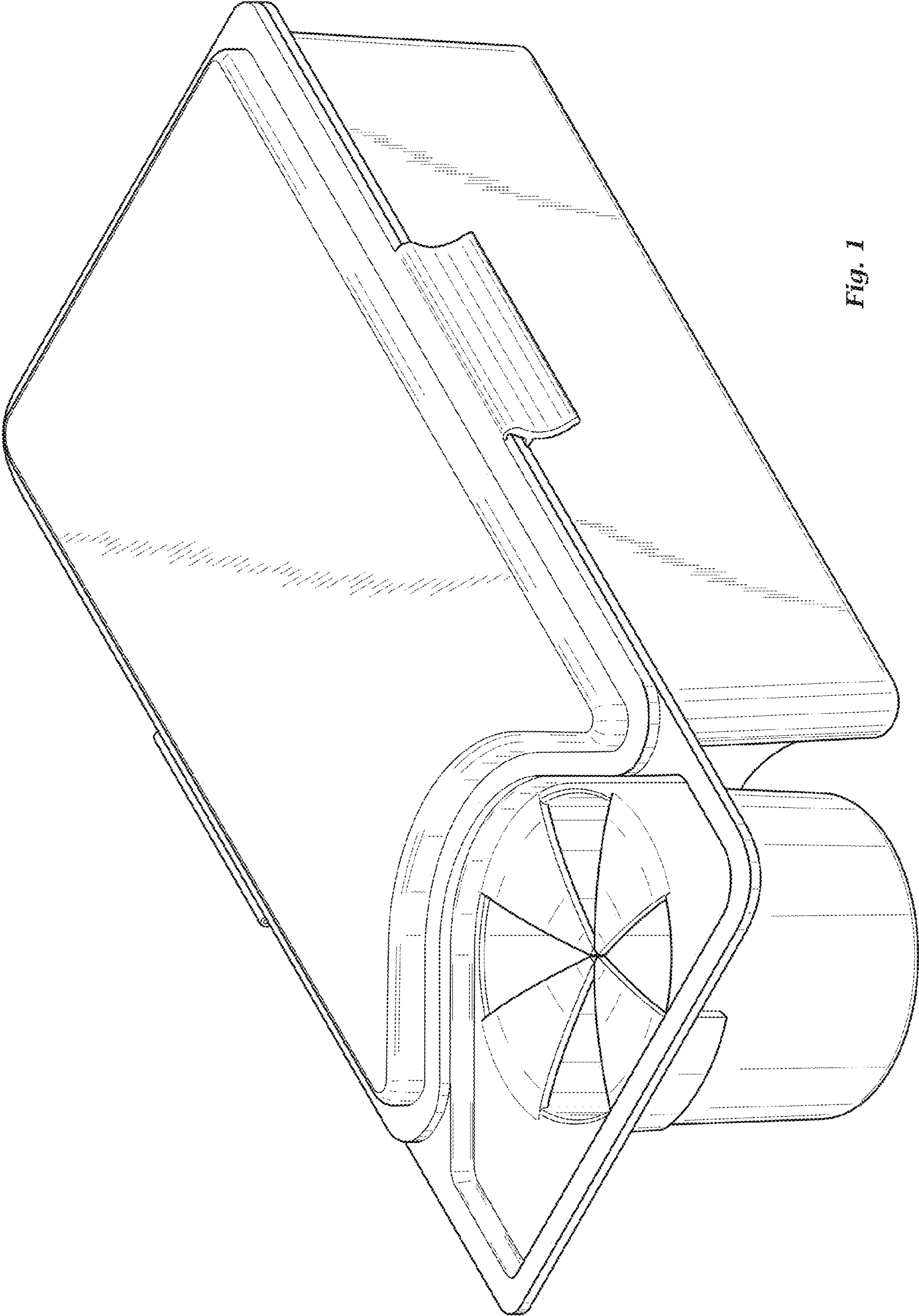


Fig. 1

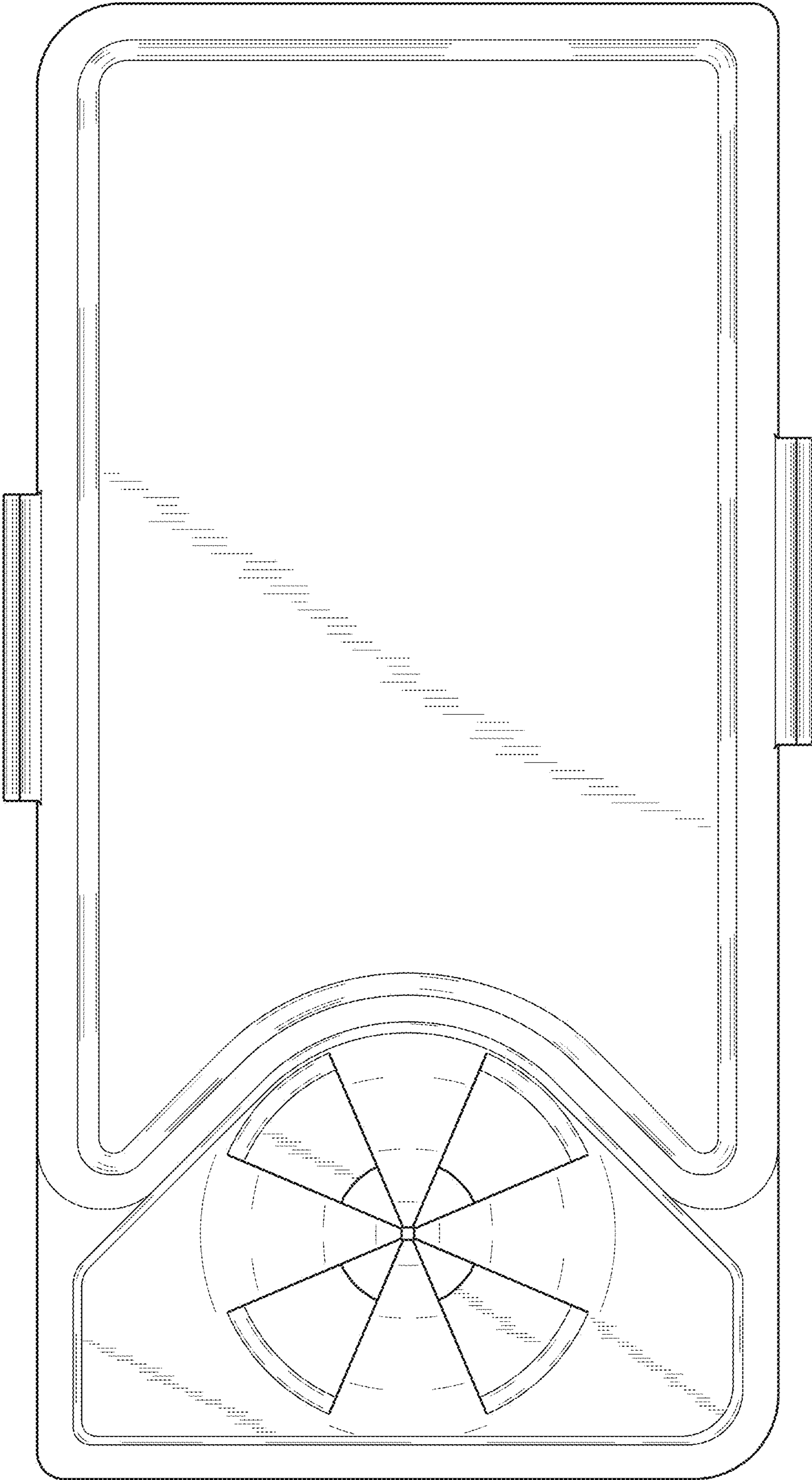


Fig. 2

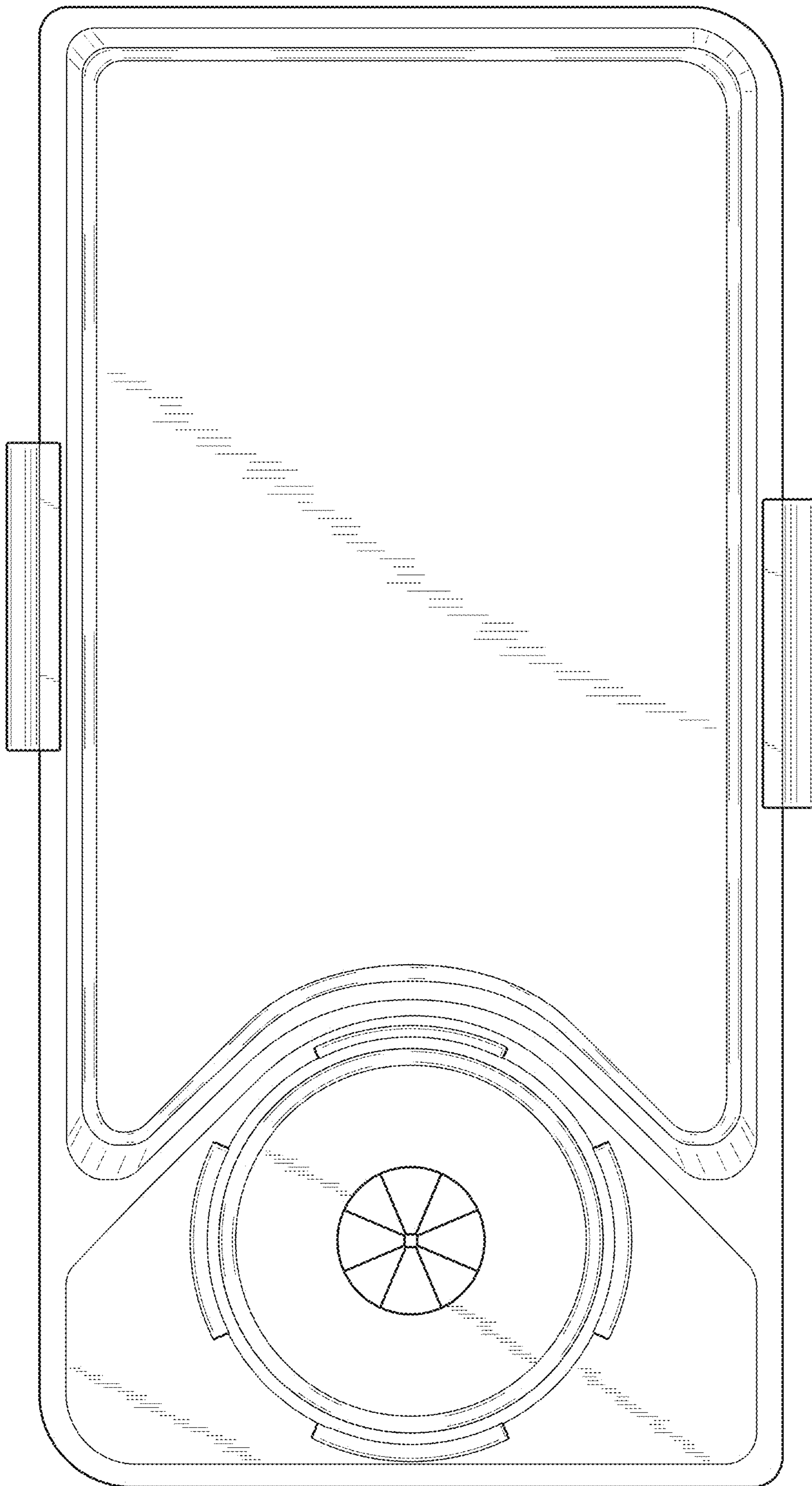


Fig. 3

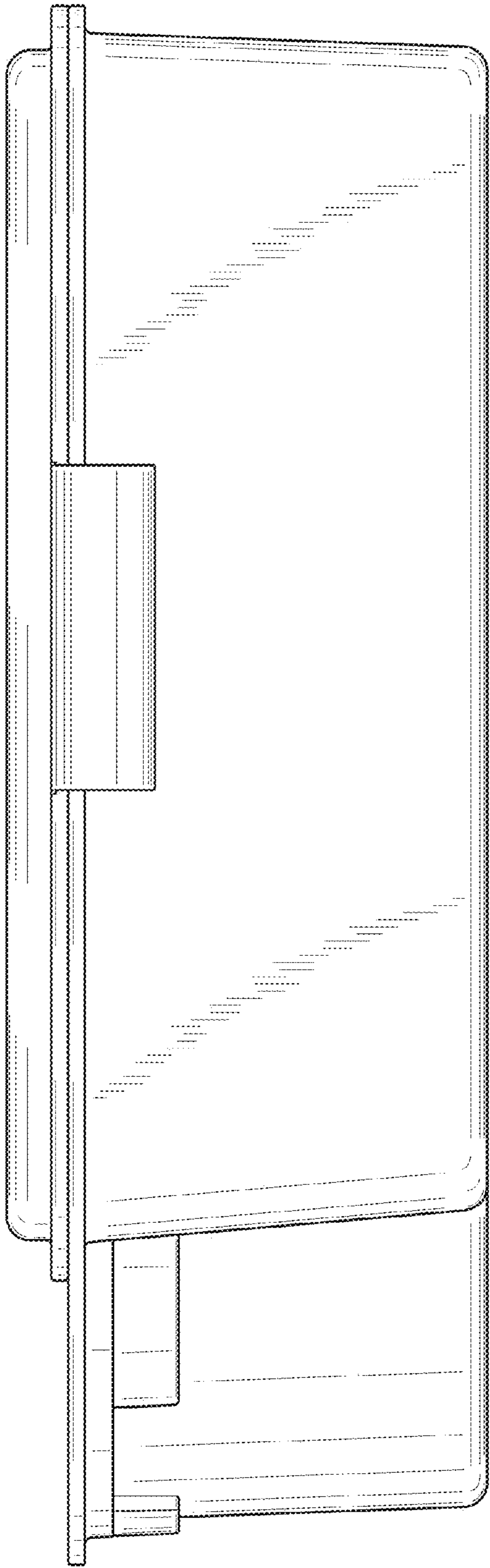


Fig. 4

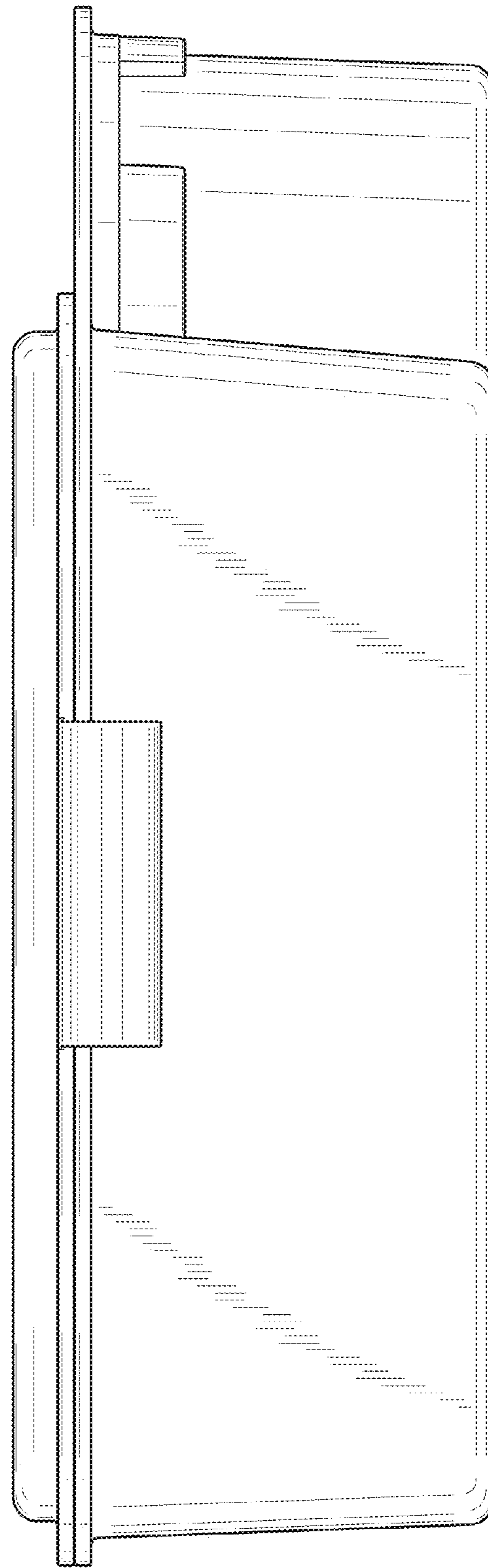


Fig. 5

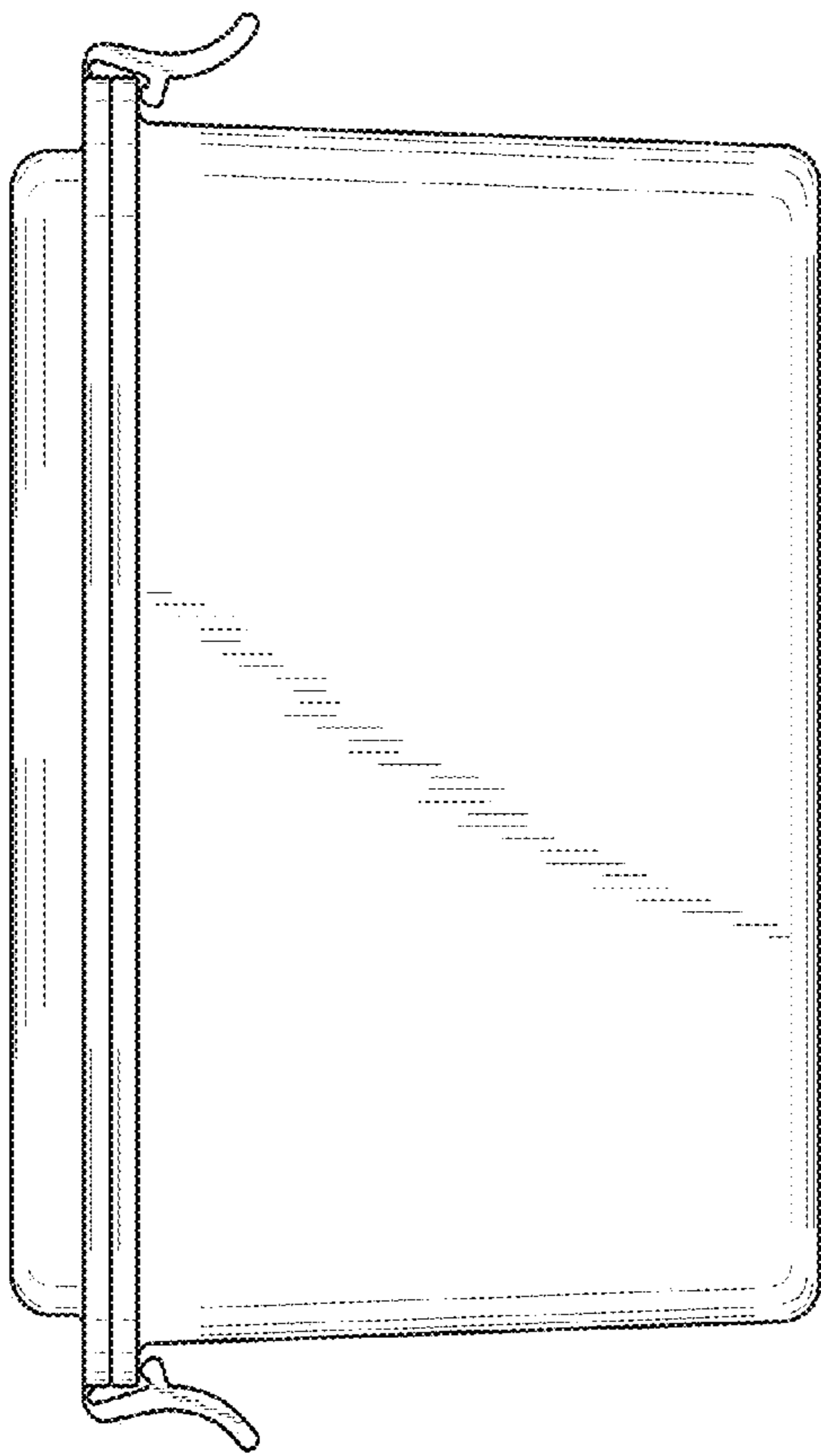


Fig. 6

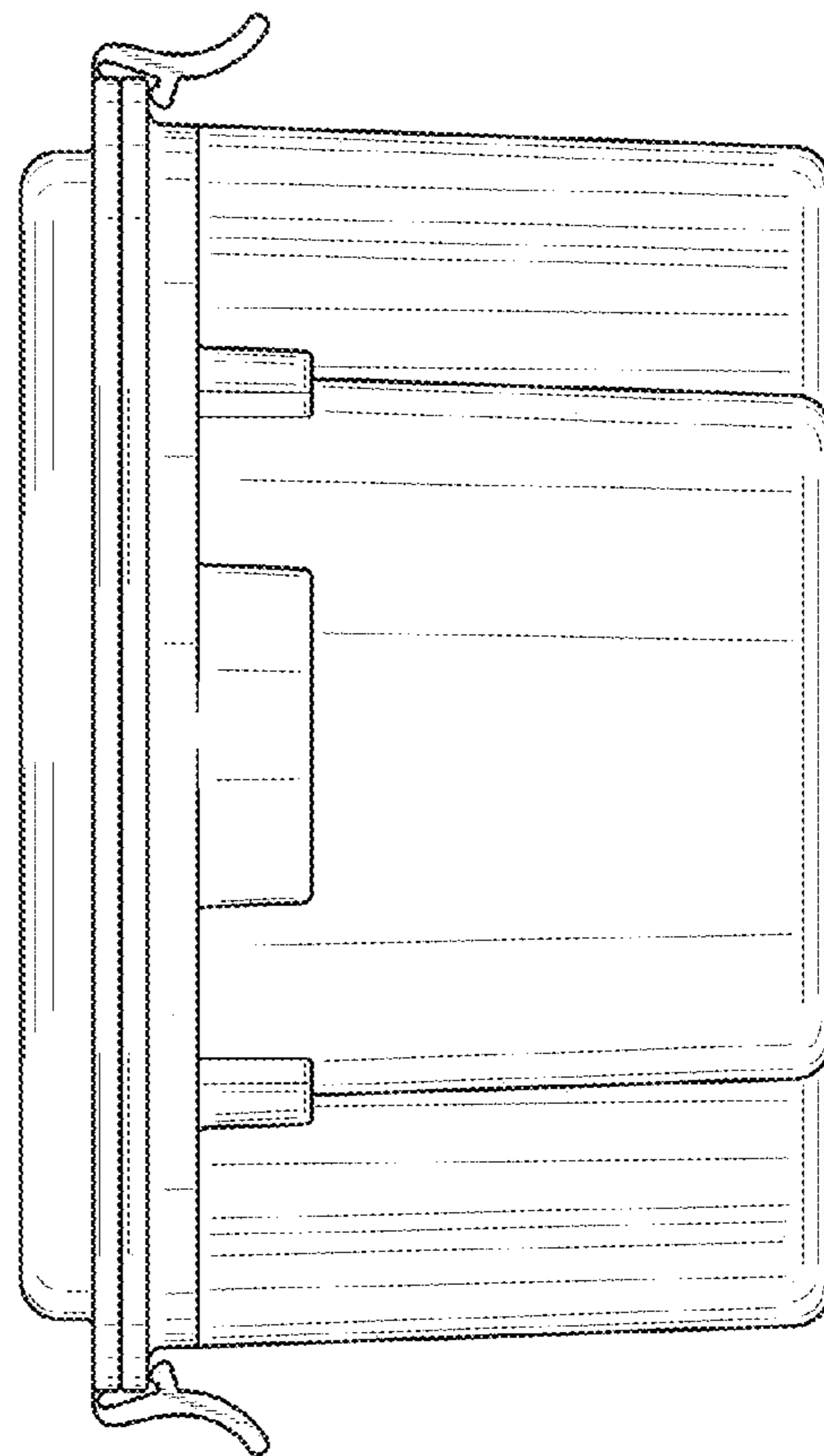


Fig. 7