



US00D904138S

(12) **United States Design Patent** (10) **Patent No.:** **US D904,138 S**  
**Veldkamp** (45) **Date of Patent:** **\*\* Dec. 8, 2020**

(54) **TOOL** 7,421,786 B2 \* 9/2008 Dorion ..... A47J 17/02  
30/114  
(71) Applicant: **Spectrum Diversified Designs, LLC,** D611,314 S \* 3/2010 Eide ..... D7/694  
Streetsboro, OH (US) D631,712 S \* 2/2011 Hull ..... D7/693  
D681,405 S \* 5/2013 Bagley ..... D7/693  
(72) Inventor: **Derek Veldkamp,** Seattle, WA (US) 2015/0282658 A1 \* 10/2015 Wong ..... B26B 3/04  
30/114  
(73) Assignee: **SPECTRUM DIVERSIFIED**  
**DESIGNS, LLC,** Streetsboro, OH (US)  
(\*\*) Term: **15 Years**  
(21) Appl. No.: **29/689,682**  
(22) Filed: **May 1, 2019**  
(51) **LOC (12) Cl.** ..... **07-06**  
(52) **U.S. Cl.**  
USPC ..... **D7/693**  
(58) **Field of Classification Search**  
USPC ..... D7/680-696, 368, 669, 412  
CPC ... B26D 3/24; B26D 3/26; B26D 3/02; B26D  
3/06; A47J 17/02; A47J 17/00; A47J  
17/04; A47J 9/005  
See application file for complete search history.

(56) **References Cited**  
**U.S. PATENT DOCUMENTS**  
5,613,431 A \* 3/1997 Tateno ..... A47J 17/02  
30/114  
D488,361 S \* 4/2004 Bertulis ..... D7/693  
D515,884 S \* 2/2006 Holcomb ..... D7/673  
D528,379 S \* 9/2006 Dorion ..... D7/693

7,421,786 B2 \* 9/2008 Dorion ..... A47J 17/02  
30/114  
D611,314 S \* 3/2010 Eide ..... D7/694  
D631,712 S \* 2/2011 Hull ..... D7/693  
D681,405 S \* 5/2013 Bagley ..... D7/693  
2015/0282658 A1 \* 10/2015 Wong ..... B26B 3/04  
30/114

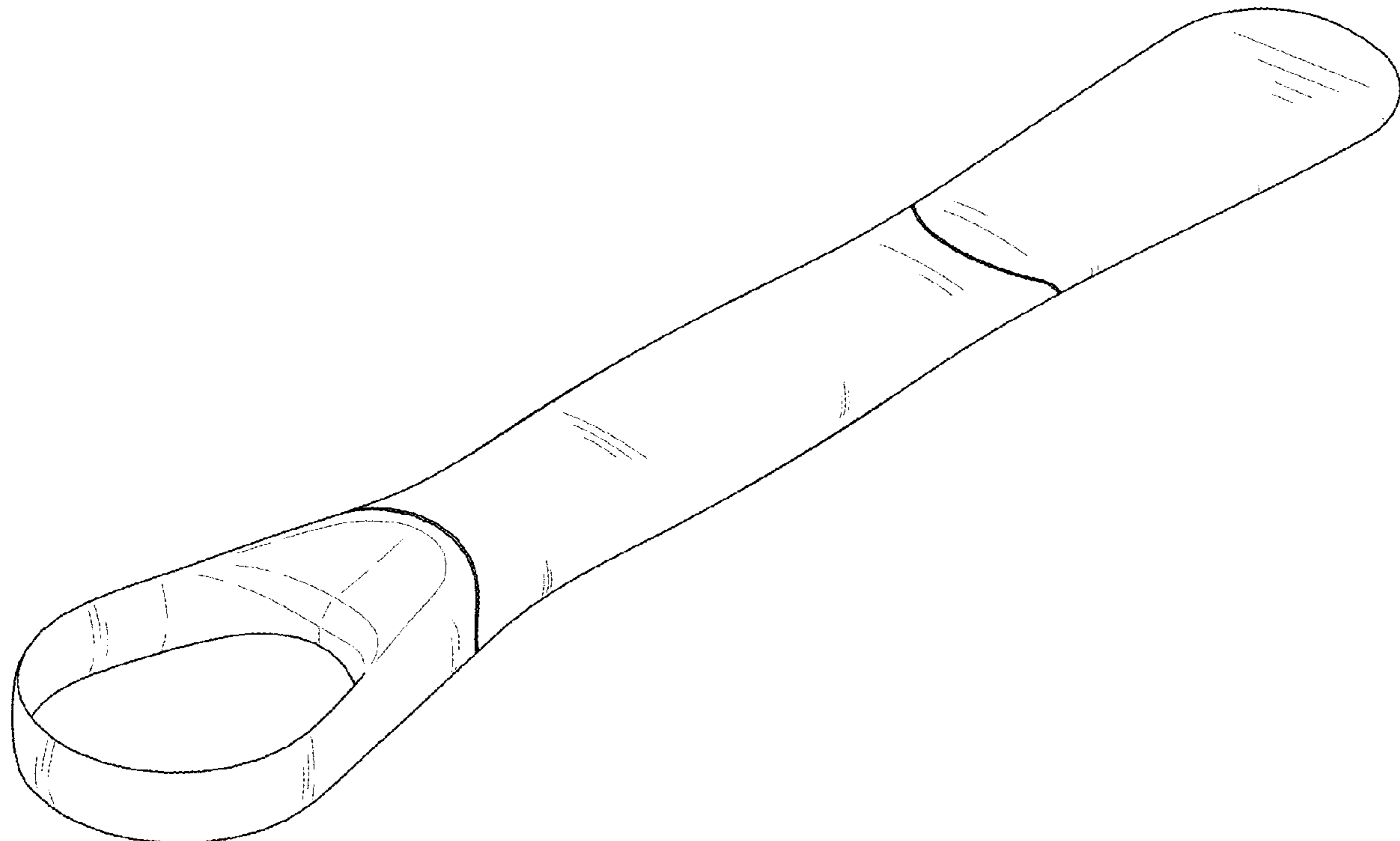
**OTHER PUBLICATIONS**  
Chefn. Scoop Saw Squash and Melon Tool Combination Serrated  
Blade and Seed Scoopy, Wasabi/Argula, Amazon.com website,  
<https://www.amazon.com/Chefn-Squash-Combination-Serrated-Arugula/dp/B015FMV4CU>, dated Apr. 18, 2019, 1 page.

\* cited by examiner  
*Primary Examiner* — Terry A Wallace  
(74) *Attorney, Agent, or Firm* — Tucker Ellis LLP

(57) **CLAIM**  
The ornamental design for a tool, as shown and described.

**DESCRIPTION**  
FIG. 1 is a perspective view of a tool showing our new design.  
FIG. 2 is a top view thereof, a bottom view being a mirror image of the top view.  
FIG. 3 is a front view thereof.  
FIG. 4 is a rear view thereof; and,  
FIG. 5 is a right side view thereof; a left side view being a mirror image of the right side view.

**1 Claim, 5 Drawing Sheets**



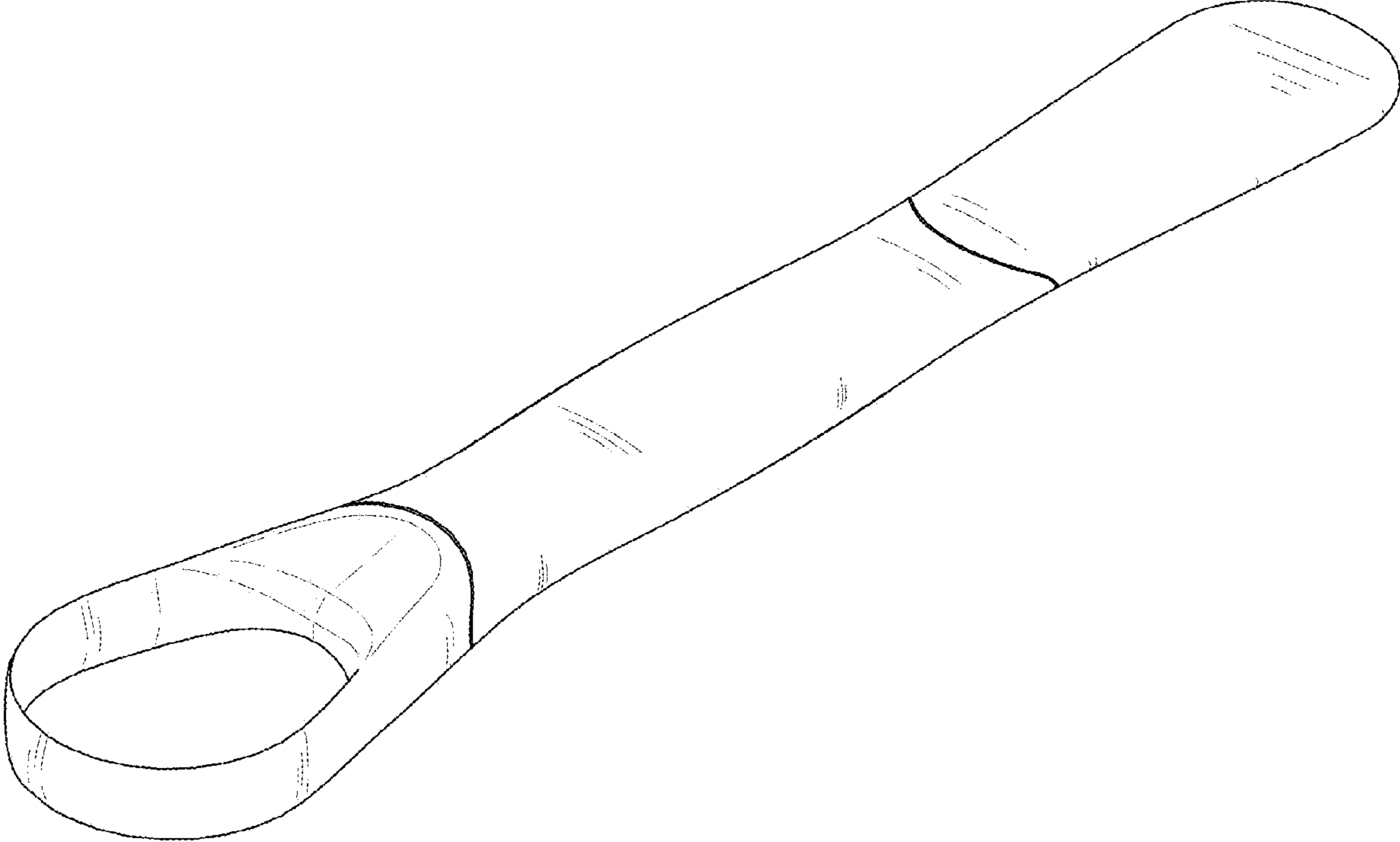


Fig. 1

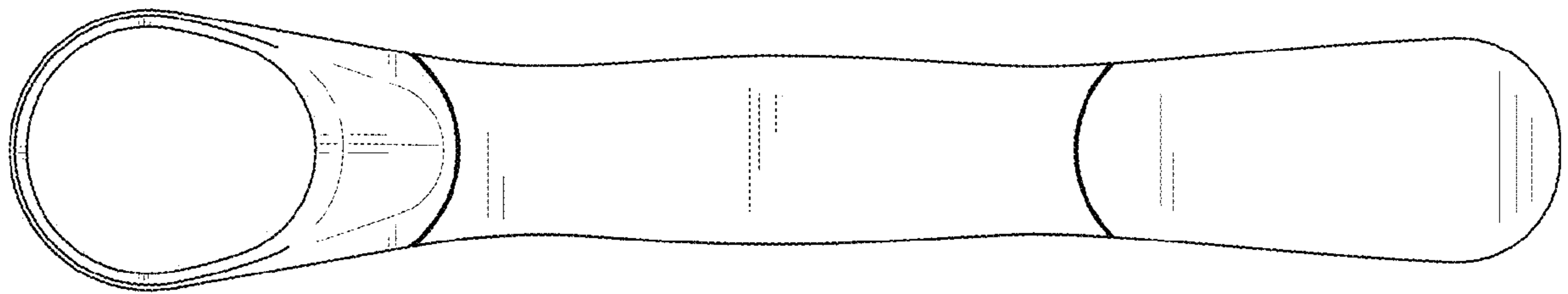


Fig. 2

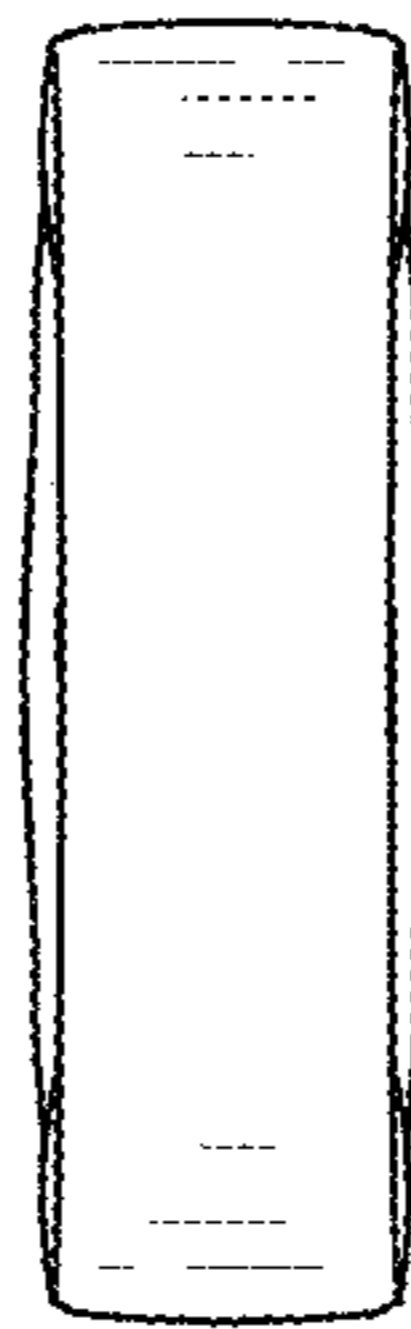


Fig. 3

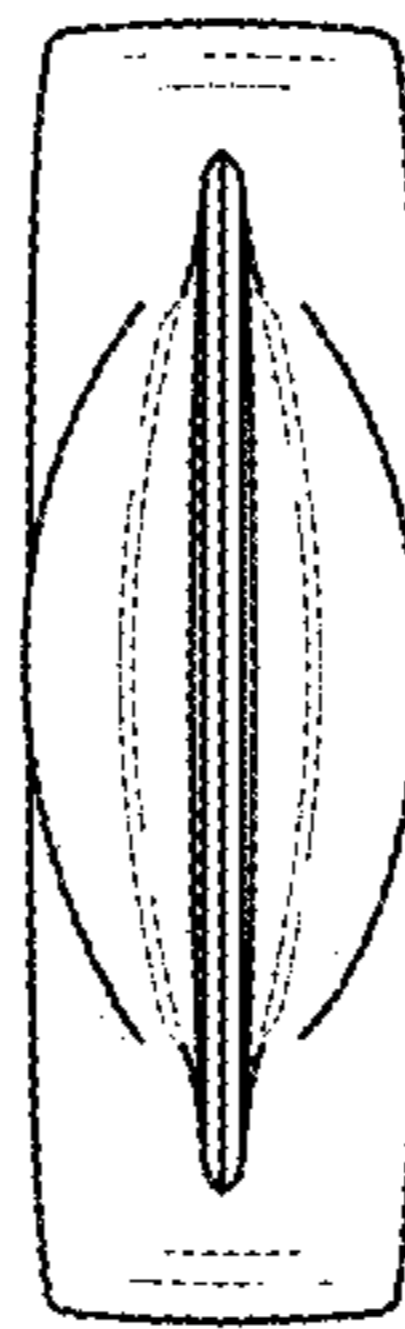


Fig. 4

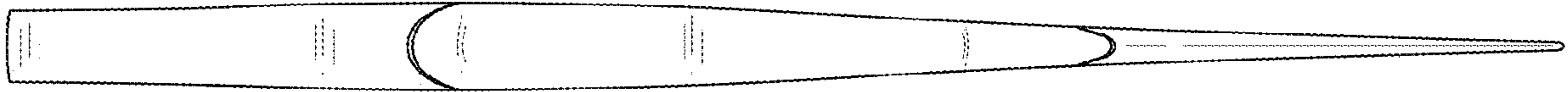


Fig. 5