



US00D904136S

(12) **United States Design Patent** (10) **Patent No.:** **US D904,136 S**
Kunes et al. (45) **Date of Patent:** **** Dec. 8, 2020**

(54) **SHELL FORM RACK**
(71) Applicants: **Lupe Jean Kunes**, Ventura, CA (US);
Robert John Kunes, Ventura, CA (US)
(72) Inventors: **Lupe Jean Kunes**, Ventura, CA (US);
Robert John Kunes, Ventura, CA (US)
(73) Assignee: **MI TACO STAND, LLC**, Ventura, CA (US)

(**) Term: **15 Years**
(21) Appl. No.: **29/682,193**
(22) Filed: **Mar. 2, 2019**

Related U.S. Application Data

(63) Continuation of application No. 16/120,365, filed on Sep. 3, 2018.

(51) **LOC (12) Cl.** **07-04**
(52) **U.S. Cl.**
USPC **D7/672; D7/504**

(58) **Field of Classification Search**
USPC D7/504, 500, 566, 570, 586, 587, 590,
D7/600.1-600.4, 601, 602, 631, 704, 403,
D7/701, 553.1, 553.2, 672; D6/682.2;
99/426
CPC A47G 2019/306; A47G 19/30; A47G
21/001; A47G 23/06; A47J 37/01; A47J
37/1295

See application file for complete search history.

(56) **References Cited**

U.S. PATENT DOCUMENTS

2,635,528 A * 4/1953 Torres A47J 37/1295
99/426
3,020,826 A * 2/1962 Silva A47J 37/1295
99/426

3,332,340 A * 7/1967 Wirtz A47J 37/1295
99/426
D249,219 S * 9/1978 Stence 99/426
D274,494 S * 7/1984 Bonine D7/672
D275,722 S * 10/1984 Bonine D7/672
4,517,887 A * 5/1985 Childress A47J 37/1295
99/426
D309,365 S * 7/1990 Keene D7/504
D327,606 S * 7/1992 Oellig D7/504
5,628,245 A * 5/1997 Baze A47J 37/01
249/120
D399,701 S * 10/1998 Olivarez D7/504
D411,413 S * 6/1999 Pffingsten D7/504
D584,572 S * 1/2009 Goodman D7/631
D593,820 S * 6/2009 Goodman D7/704
D620,752 S * 8/2010 Daniels D7/504
D646,526 S * 10/2011 Chen D6/566
D689,338 S * 9/2013 Procter D7/504
D690,563 S * 10/2013 Kinney D7/504
9,186,021 B1 * 11/2015 Dover A47J 37/1295
D836,400 S * 12/2018 Goodman D7/601
D838,127 S * 1/2019 Theodoroff D6/672
2015/0034633 A1 * 2/2015 Kinney B65D 81/3453
219/725

* cited by examiner

Primary Examiner — Brett Miller
(74) *Attorney, Agent, or Firm* — Paul D. Chancellor;
Ocean Law

(57) **CLAIM**

The ornamental design for a shell form rack, as shown and described.

DESCRIPTION

FIG. 1 is a side view of the shell form rack.
FIG. 2 is a top view of the shell form rack.
FIG. 3 is a bottom view of the shell form rack; and,
FIG. 4 is a perspective view of the shell form rack.

1 Claim, 4 Drawing Sheets

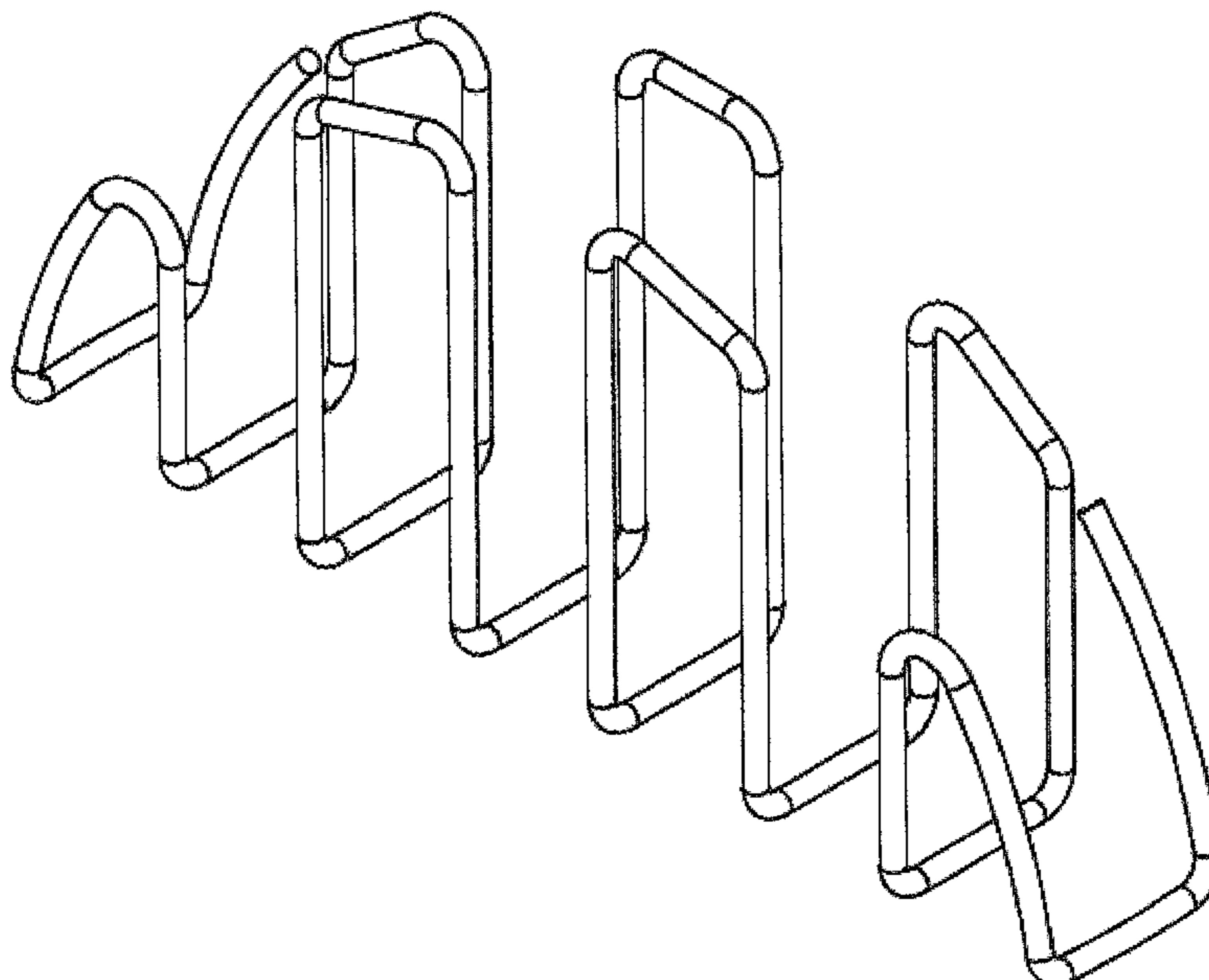


FIG. 1

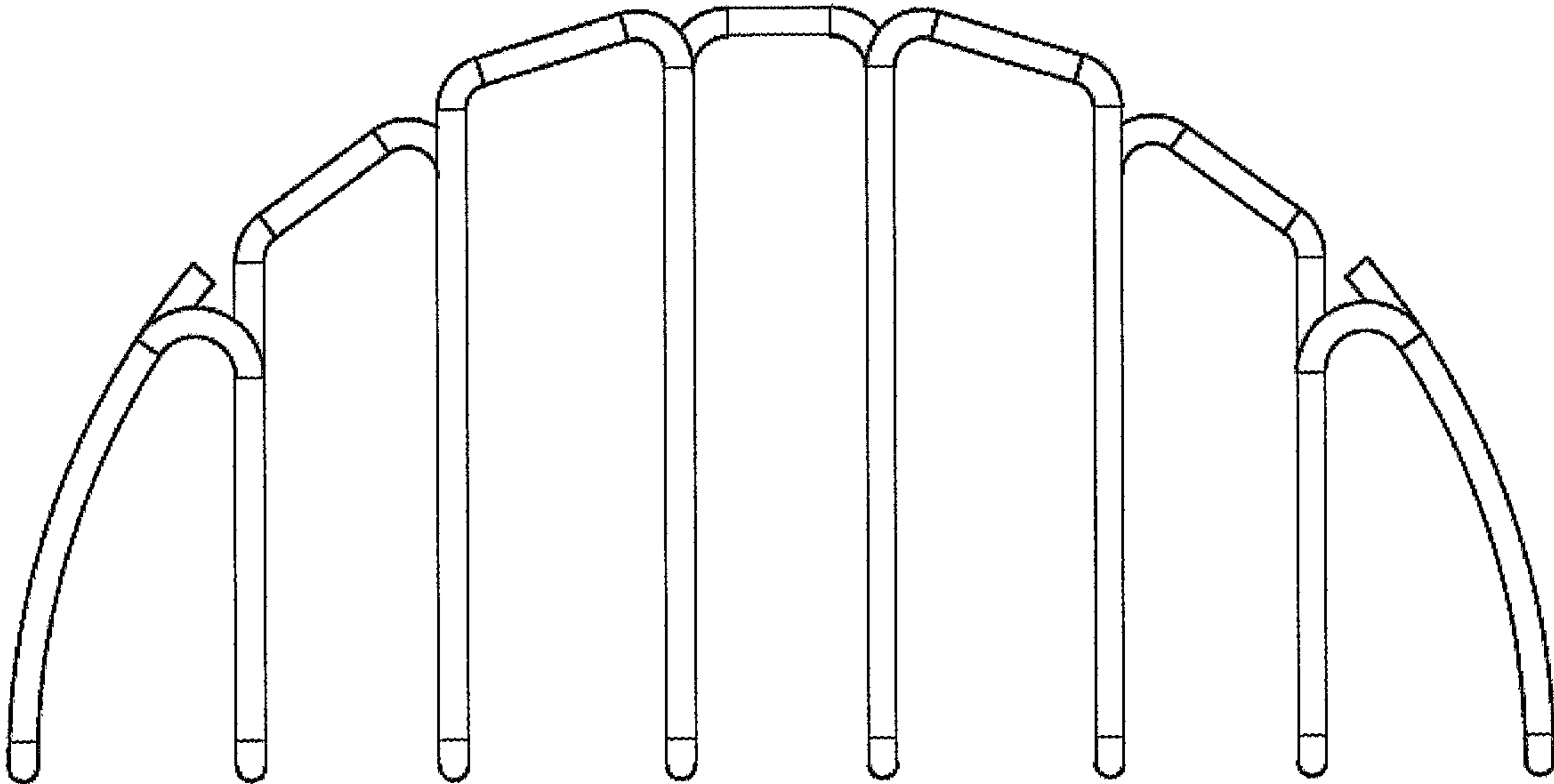


FIG. 2

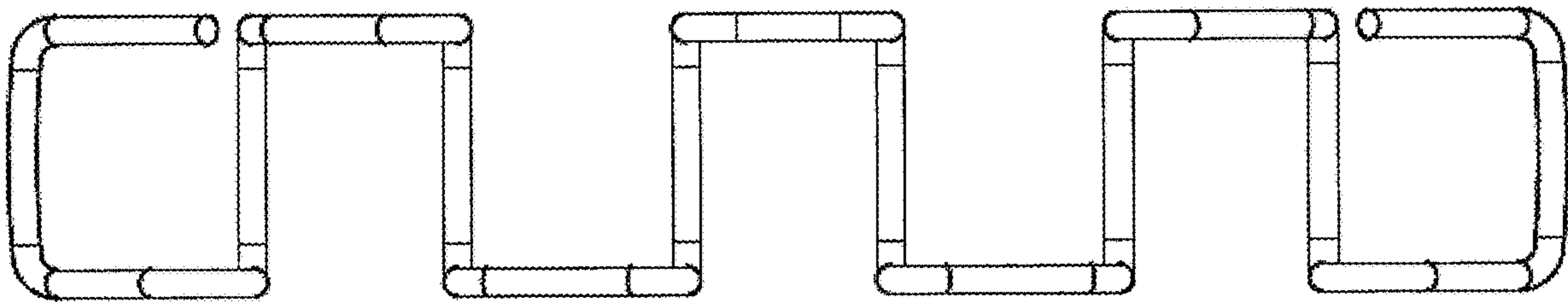


FIG. 3

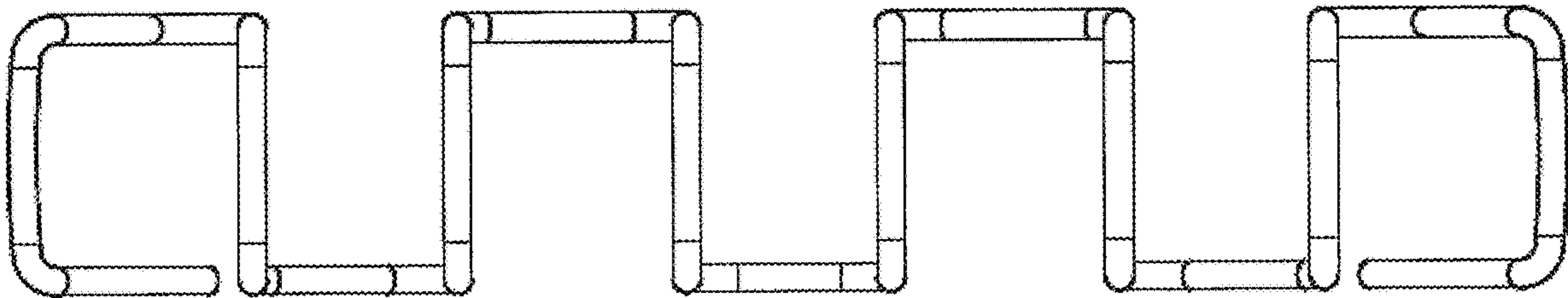


FIG. 4

