

US00D904135S

(12) **United States Design Patent**
Dittrich

(10) **Patent No.:** **US D904,135 S**

(45) **Date of Patent:** **** Dec. 8, 2020**

(54) **STRAINER**

(71) Applicant: **Spectrum Diversified Designs, LLC**,
Streetsboro, OH (US)

(72) Inventor: **Megan Dittrich**, Twinsburg, OH (US)

(73) Assignee: **SPECTRUM DIVERSIFIED
DESIGNS, LLC**, Streetsboro, OH (US)

(**) Term: **15 Years**

(21) Appl. No.: **29/692,321**

(22) Filed: **May 24, 2019**

(51) **LOC (12) Cl.** **07-04**

(52) **U.S. Cl.**
USPC **D7/668**

(58) **Field of Classification Search**
USPC D7/667, 668, 400, 538-549, 586, 587,
D7/669, 368
CPC .. A47J 43/24; A47J 43/22; A47J 43/00; A47J
19/04; A47J 19/005; A47J 19/00; A47J
36/08; A47J 36/20; A47J 36/22; A47J
27/16; A47J 31/06; A47J 42/28; A47J
42/286; B01D 29/035
See application file for complete search history.

(56) **References Cited**

U.S. PATENT DOCUMENTS

3,995,544 A * 12/1976 Farley A47J 43/286
100/116
5,902,481 A * 5/1999 Schwietert A47J 43/286
100/113
6,422,138 B1 * 7/2002 Ballard A47J 43/286
100/110

D598,717 S * 8/2009 Jalet D7/667
2004/0238438 A1 * 12/2004 Chen A47J 43/24
210/474
2010/0101435 A1 * 4/2010 Hughes A47J 43/286
100/37

OTHER PUBLICATIONS

Kitchencraft Stainless Steel Food Can Strainer Sieve Tuna Press Oil
Drainer, No Mess Design, Amazon website, <https://www.amazon.com/Kitchencraft-Stainless-Strainer-Drainer-Design/dp/B00011X3WI>, dated May 20, 2019, 1 page.

* cited by examiner

Primary Examiner — Terry A Wallace

(74) *Attorney, Agent, or Firm* — Tucker Ellis LLP

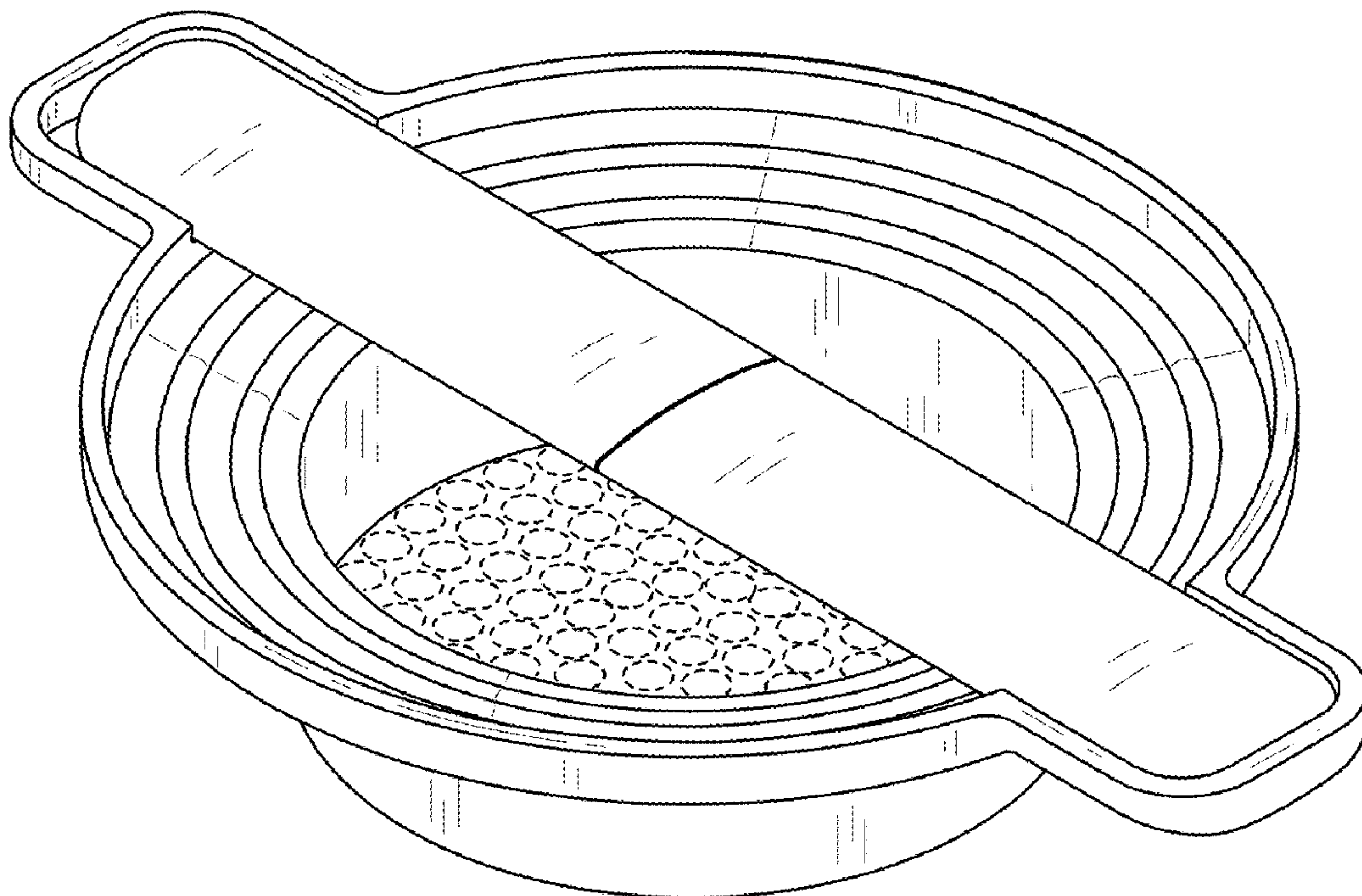
(57) **CLAIM**

The ornamental design for a strainer, as shown and described.

DESCRIPTION

FIG. 1 is a perspective view of a strainer showing my new design;
FIG. 2 is a front view thereof, a rear view being a mirror image;
FIG. 3 is a right side view thereof, a left side view being a mirror image;
FIG. 4 is a top view thereof; and,
FIG. 5 is a bottom view thereof.
The broken lines show portions of the design that form no part of the claimed design.

1 Claim, 5 Drawing Sheets



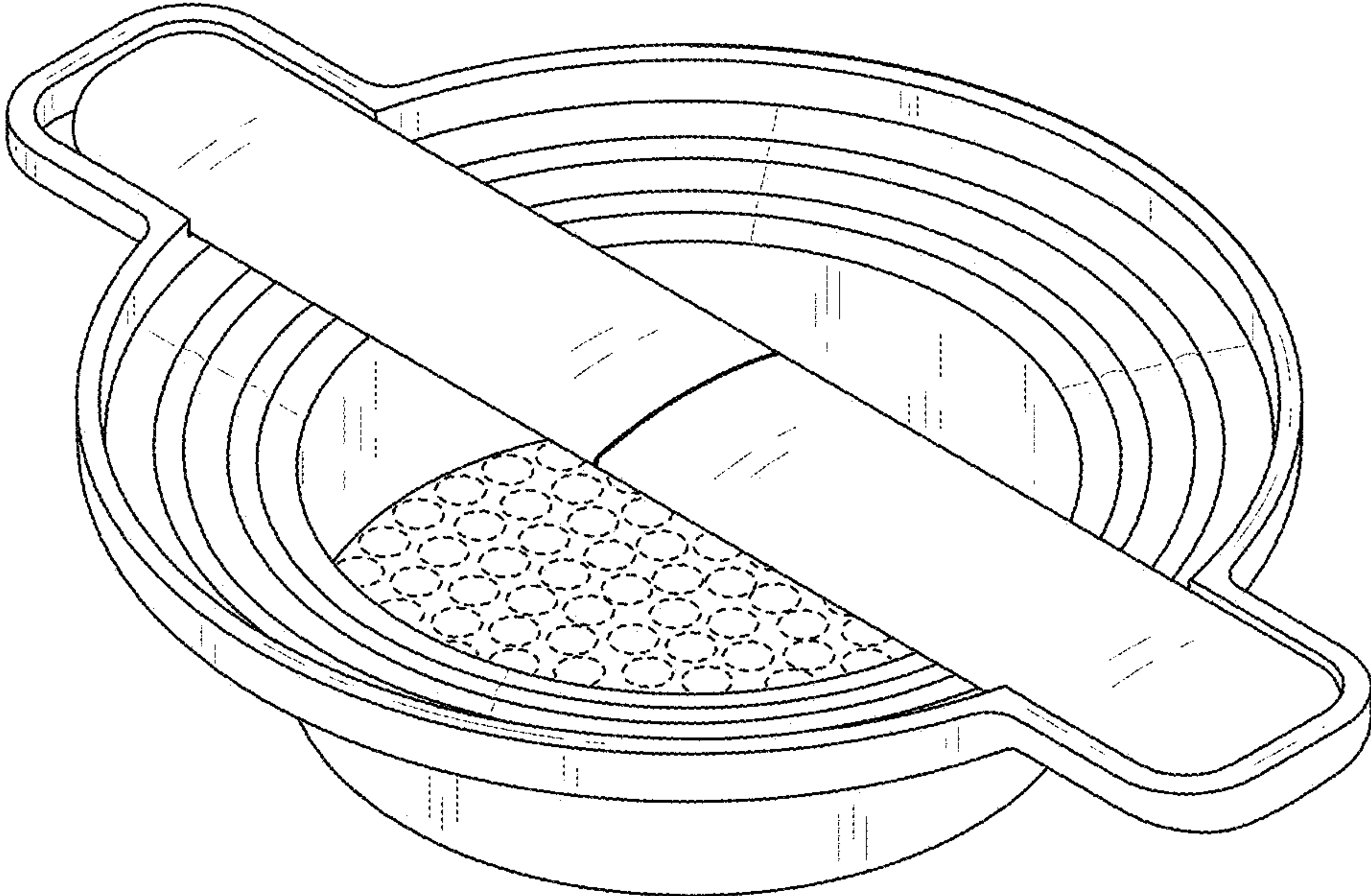


Fig. 1

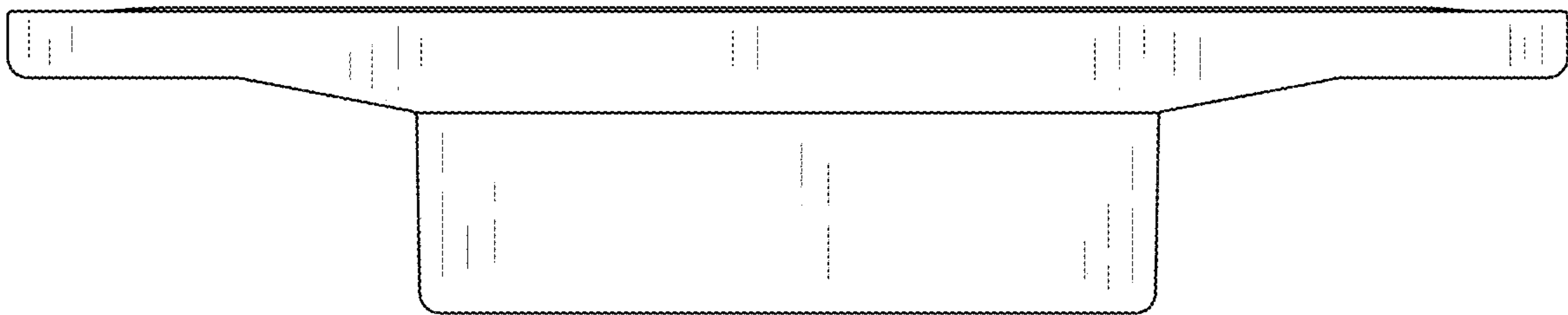


Fig. 2

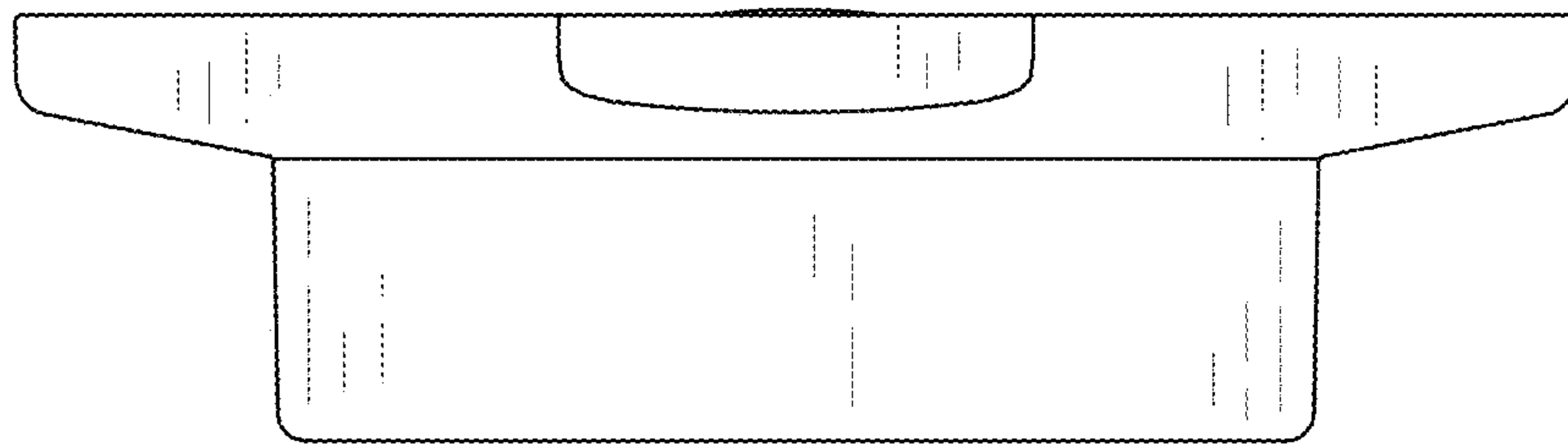


Fig. 3

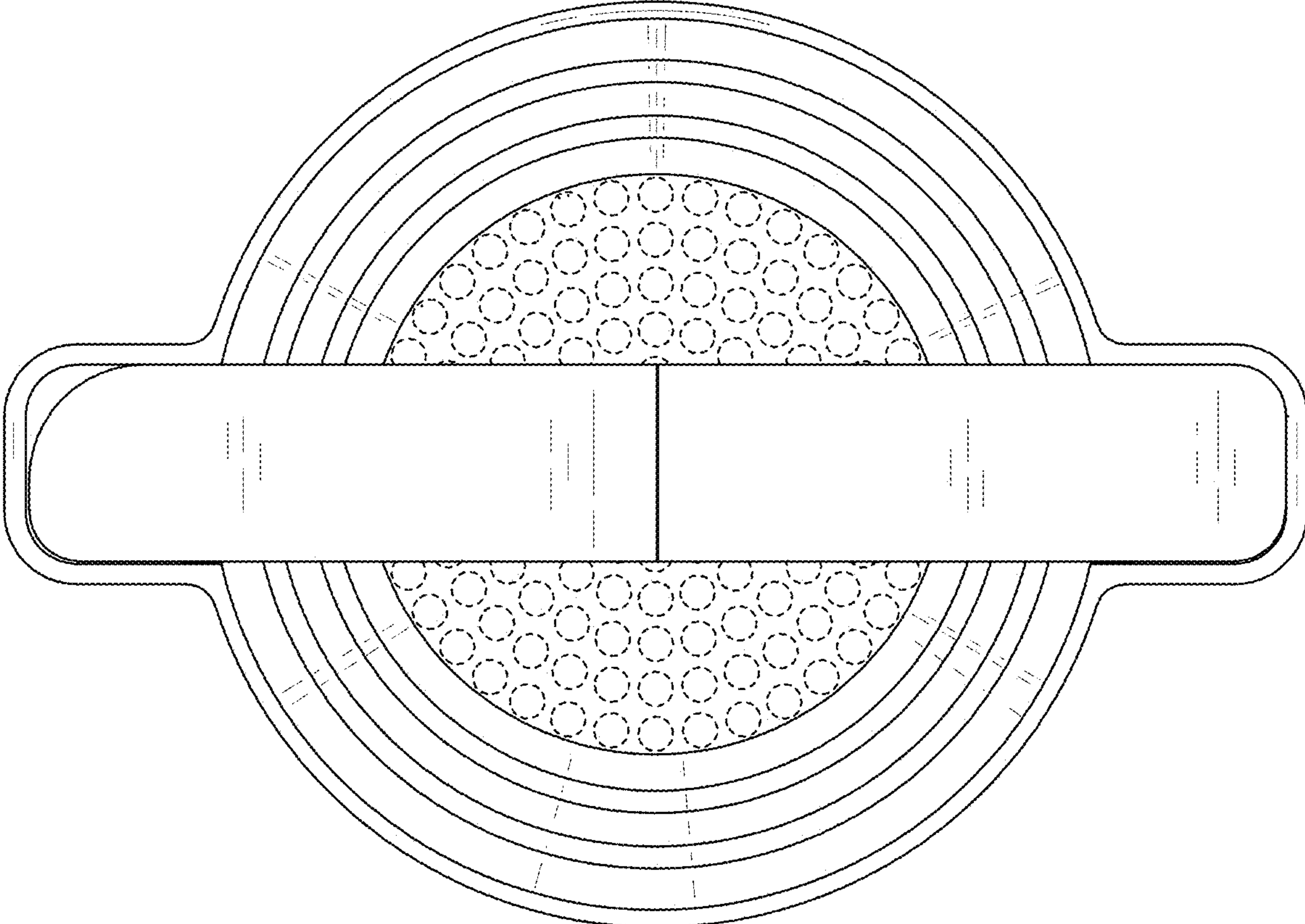


Fig. 4

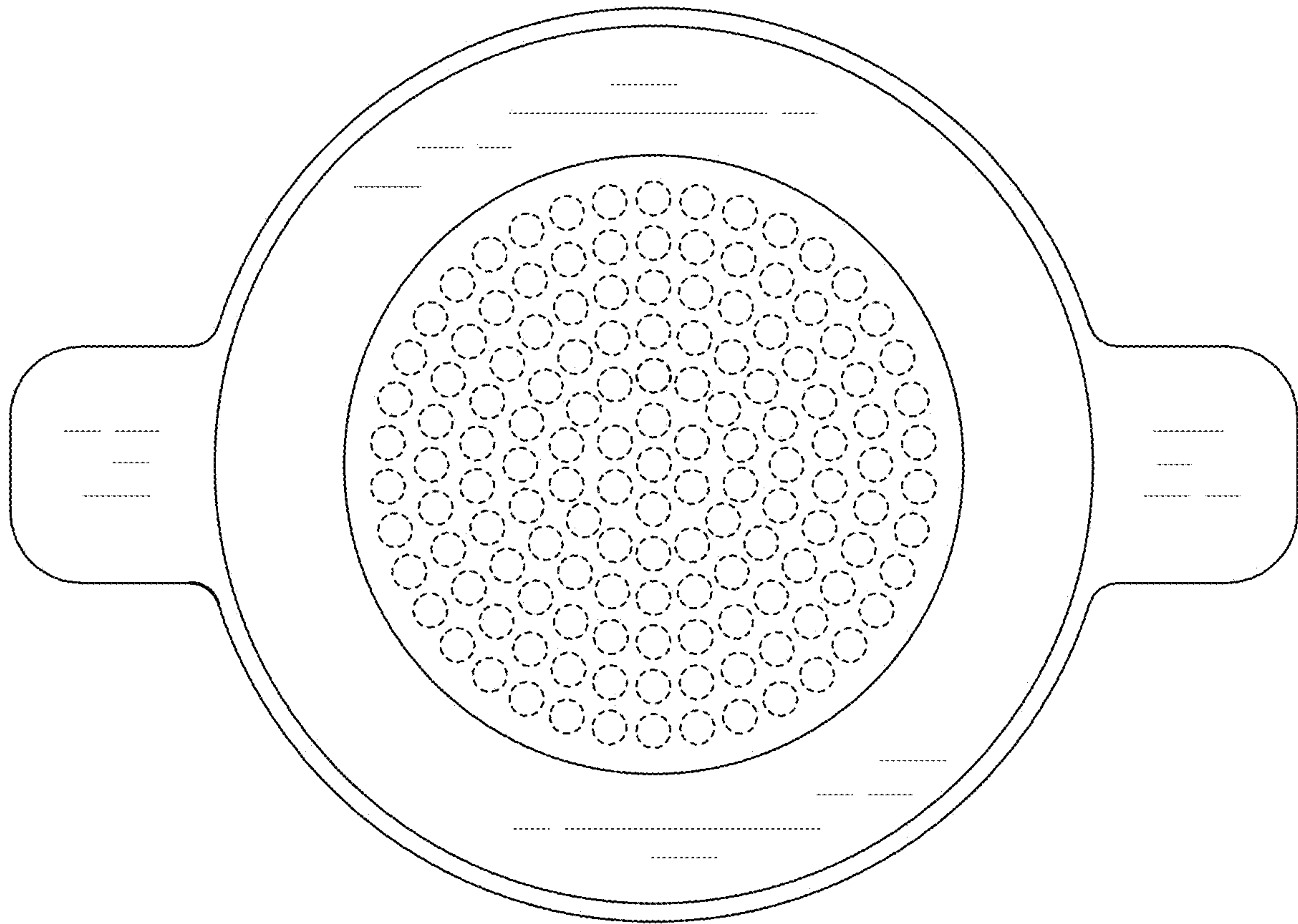


Fig. 5