



US00D904133S

(12) **United States Design Patent** (10) **Patent No.:** **US D904,133 S**
Armistead et al. (45) **Date of Patent:** **** Dec. 8, 2020**

(54) **CONTAINER**

(71) Applicant: **The Decor Corporation Pty Ltd,**
Dandenong South (AU)

(72) Inventors: **Justin Armistead,** The Basin (AU);
George Kotsiopoulos, Bonbeach (AU);
Alexander Schoenmakers, Elwood
(AU)

(73) Assignee: **The Decor Corporation Pty Ltd,**
Dandenong South (AU)

(**) Term: **15 Years**

(21) Appl. No.: **29/659,200**

(22) Filed: **Aug. 7, 2018**

(30) **Foreign Application Priority Data**

Feb. 8, 2018 (AU) 201810761
Feb. 8, 2018 (AU) 201810766

(51) **LOC (12) Cl.** **09-07**

(52) **U.S. Cl.**
USPC **D7/629**

(58) **Field of Classification Search**

USPC D7/602, 629, 701, 703, 396.1; D9/416,
D9/424, 425, 430, 432, 435, 761;
D19/102, 106; D3/201, 203.6, 273
CPC ... B65D 1/26; B65D 1/40; B65D 5/24; B65D
81/34; B65D 81/3453; B65D 2581/34;
B65D 2581/3437

See application file for complete search history.

(56) **References Cited**

U.S. PATENT DOCUMENTS

D660,092 S * 5/2012 Kyung D7/629
D660,094 S * 5/2012 Kyung D7/629
D660,095 S * 5/2012 Kyung D7/629

(Continued)

Primary Examiner — Susan E Krakower

Assistant Examiner — Andrew Kerr

(74) *Attorney, Agent, or Firm* — Stevens & Showalter
LLP

(57) **CLAIM**

The ornamental design for a container, as shown and
described.

DESCRIPTION

FIG. 1 is an exploded top, front and right side perspective
view of a container showing our new design;

FIG. 2 is an exploded bottom, rear and left side perspective
view thereof;

FIG. 3 is a front elevation view thereof;

FIG. 4 is a rear elevation view thereof;

FIG. 5 is an exploded right side elevation view thereof;

FIG. 6 is an exploded left side elevation view thereof;

FIG. 7 is a top front and right side perspective view thereof;

FIG. 8 is an exploded bottom, rear and left side perspective
view thereof;

FIG. 9 is a right side elevation view thereof;

FIG. 10 is a left side elevation view thereof;

FIG. 11 is a top plan view thereof;

FIG. 12 is a bottom plan view thereof;

FIG. 13 is a top, front, and right side perspective view
thereof, with lid portion removed for ease of illustration;

FIG. 14 is a top plan view thereof;

FIG. 15 is a top, front, and right side perspective view of the
base portion shown separately for ease of illustration;

FIG. 16 is a bottom, rear and left side perspective view
thereof;

FIG. 17 is a front elevation view thereof;

FIG. 18 is a rear elevation view thereof;

FIG. 19 is a right side elevation view thereof;

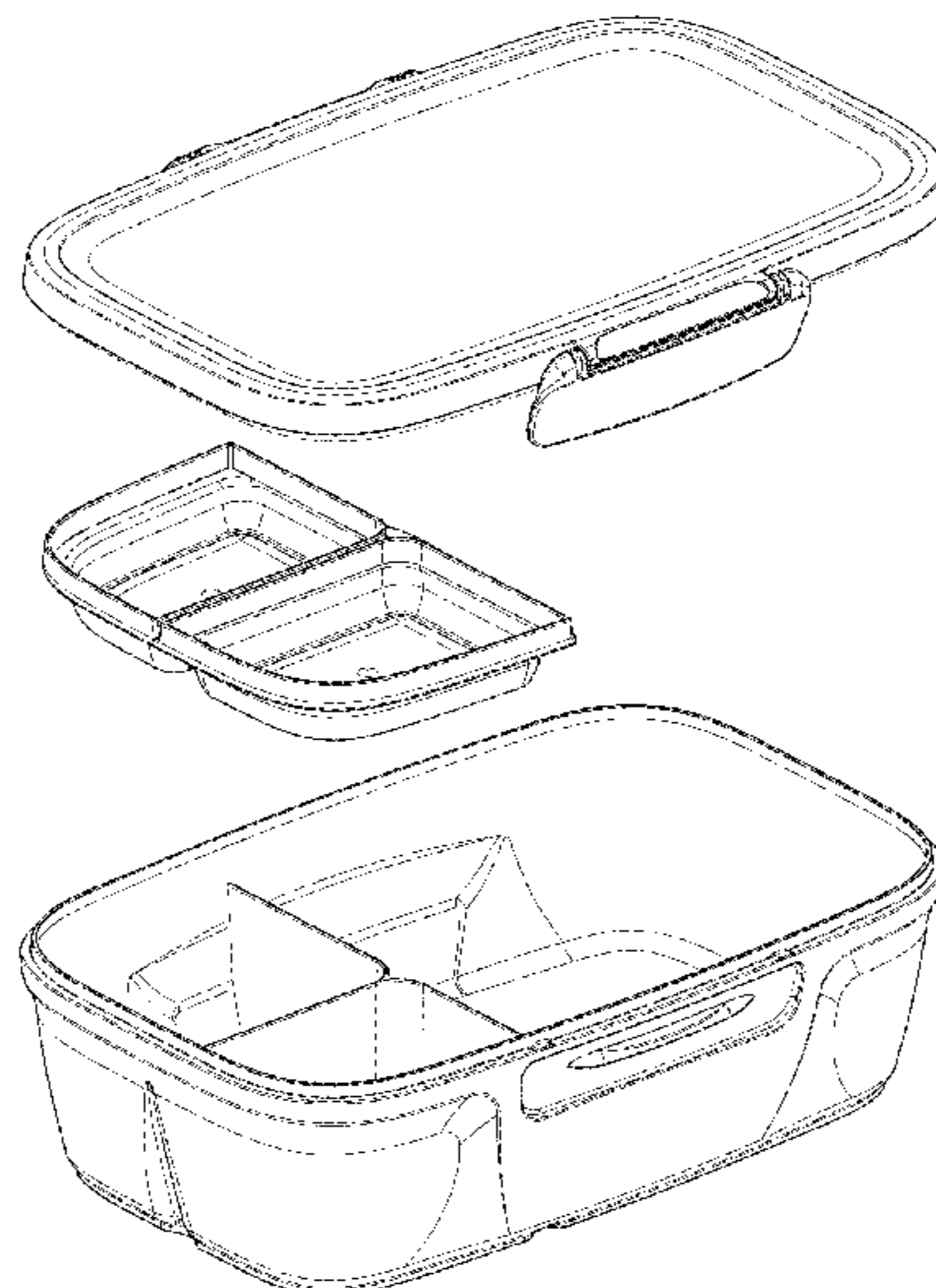
FIG. 20 is a left side elevation view thereof;

FIG. 21 is a top plan view thereof; and,

FIG. 22 is a bottom plan view thereof.

The broken lines in the drawings depict portions of the
container that form no part of the claimed design.

1 Claim, 19 Drawing Sheets



(56)

References Cited

U.S. PATENT DOCUMENTS

D741,664 S * 10/2015 Kyle D7/629
D763,629 S * 8/2016 Swartz D7/629
D803,631 S * 11/2017 Min D7/605
10,173,826 B2 * 1/2019 Sexton B65D 45/18
D874,262 S * 2/2020 Lindsay D9/420
D887,226 S * 6/2020 Jacobsen D7/629
2004/0084464 A1 * 5/2004 Koo B65D 43/0218
220/784
2005/0035125 A1 * 2/2005 Bae B65D 45/20
220/326
2014/0103033 A1 * 4/2014 Beckman B65D 43/0212
220/4.01

* cited by examiner

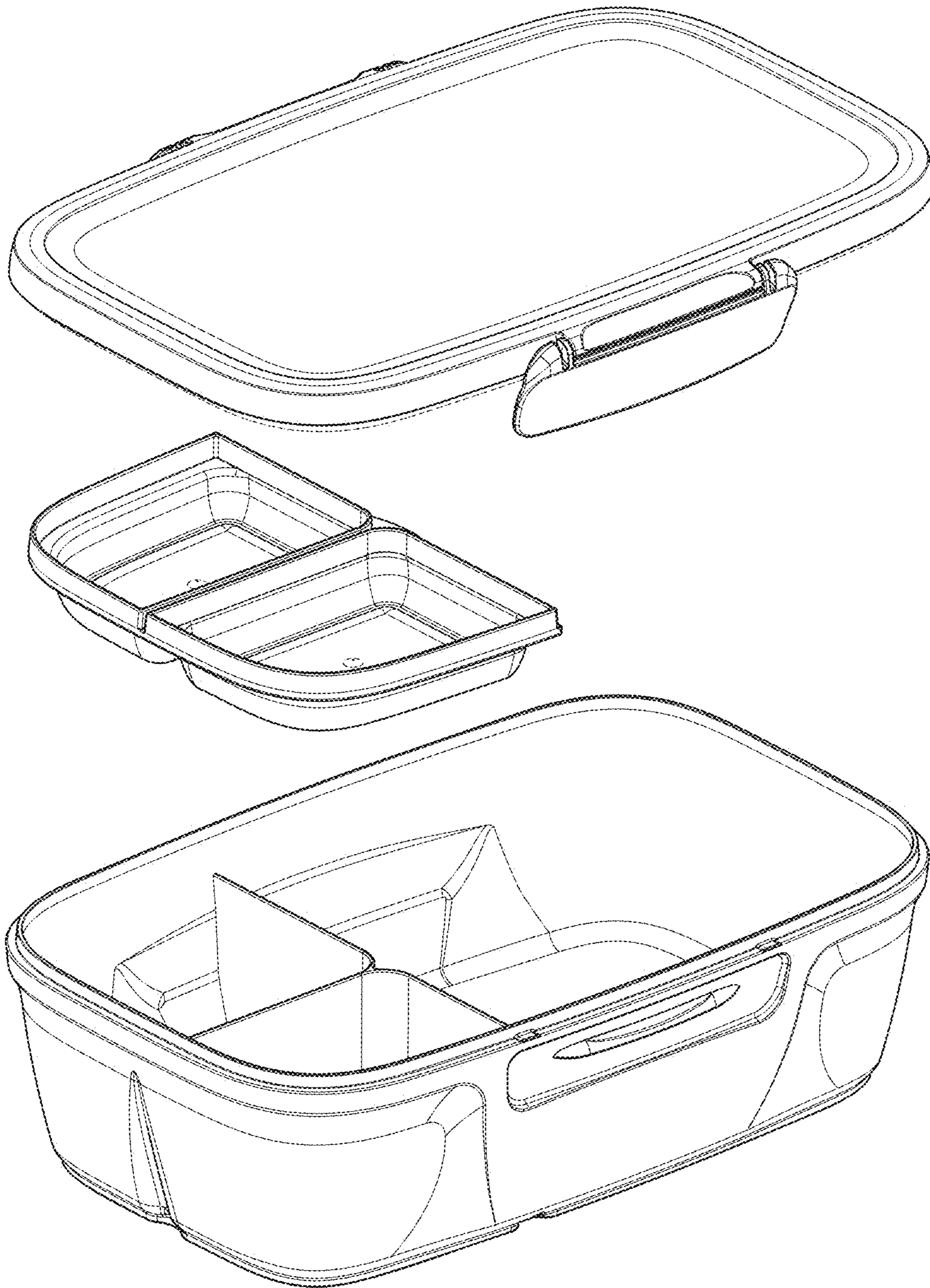


FIG. 1

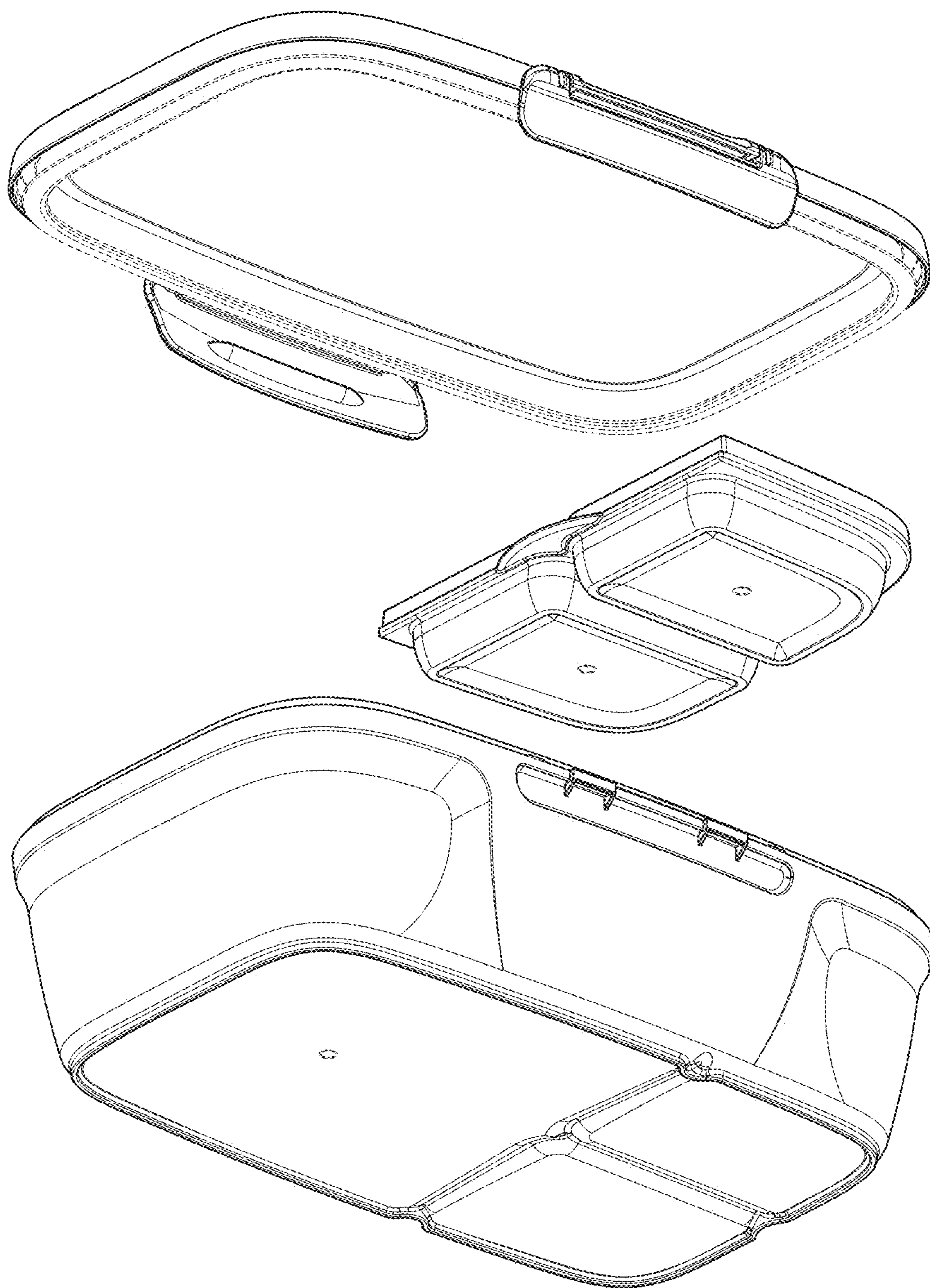


FIG. 2

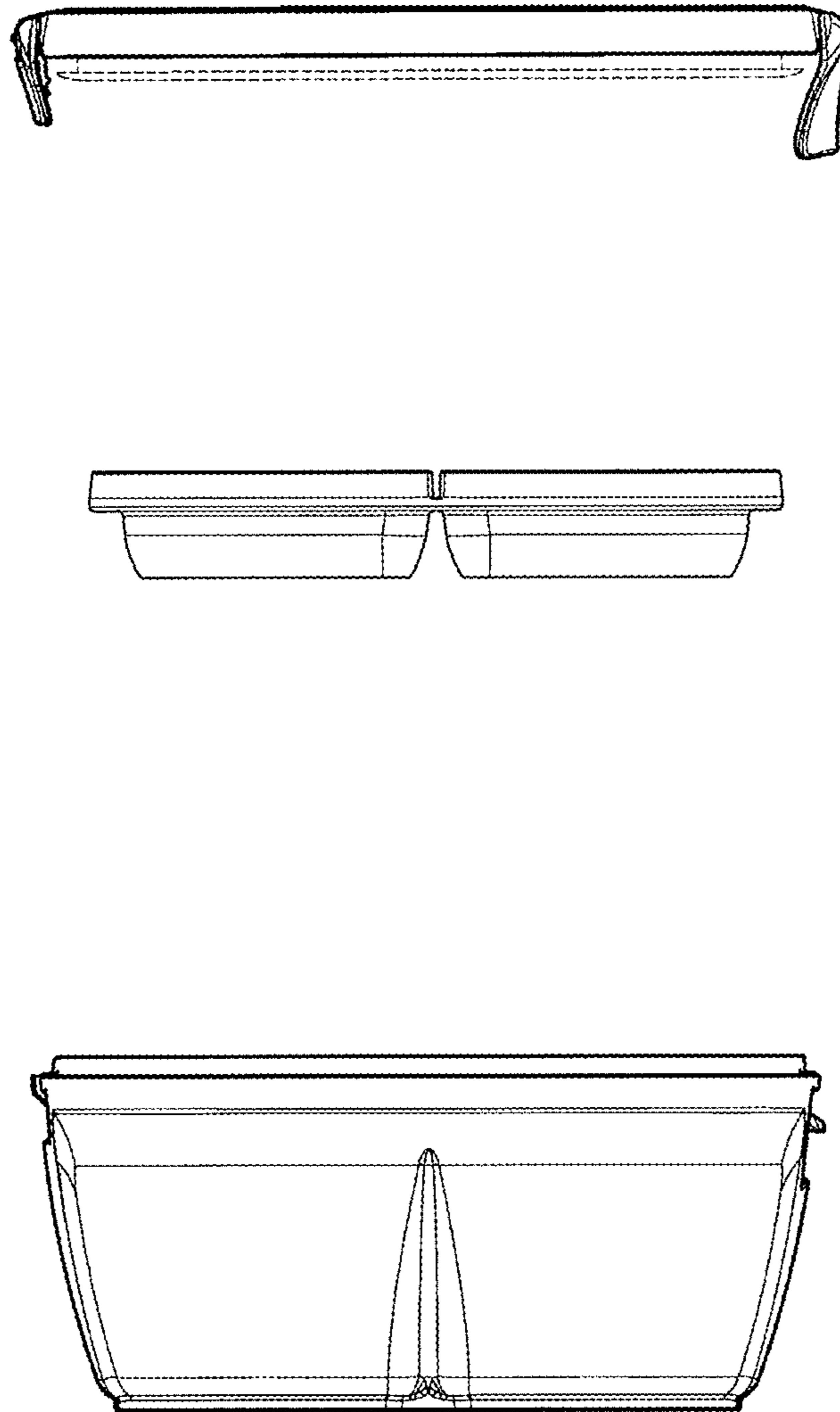


FIG. 3

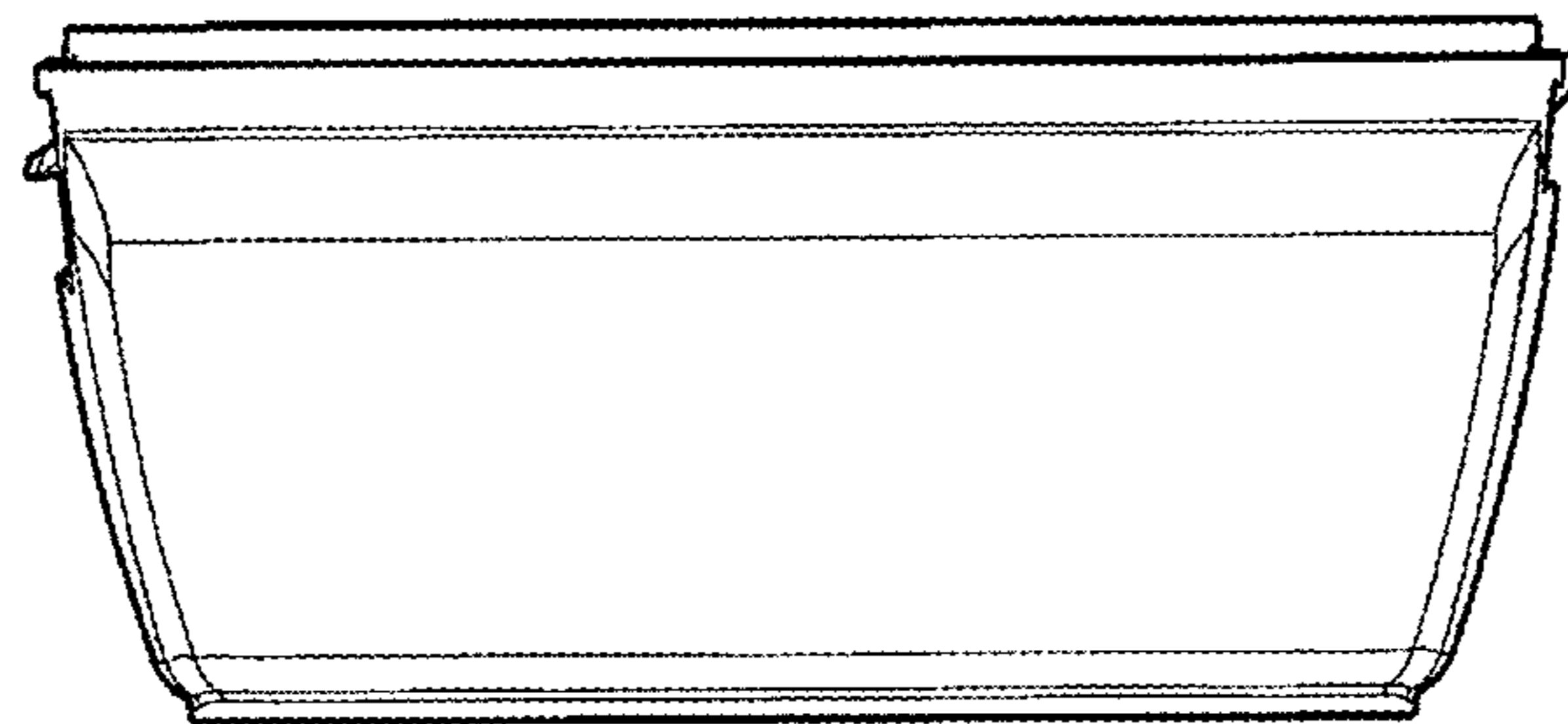
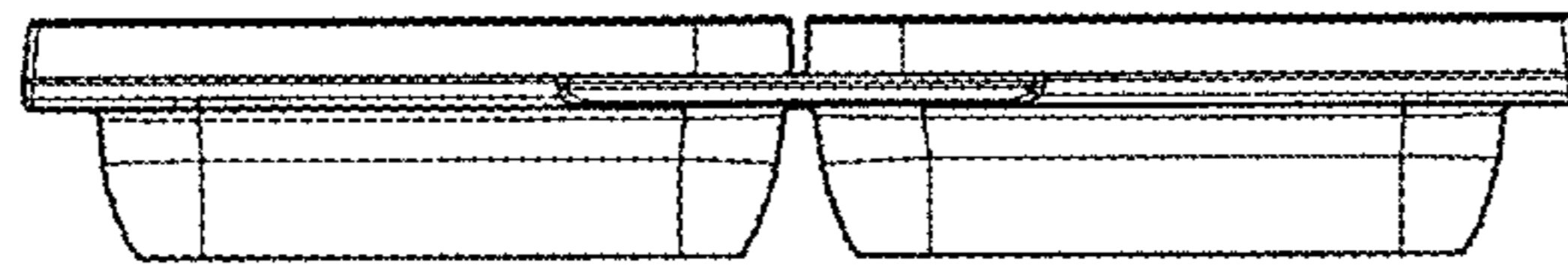
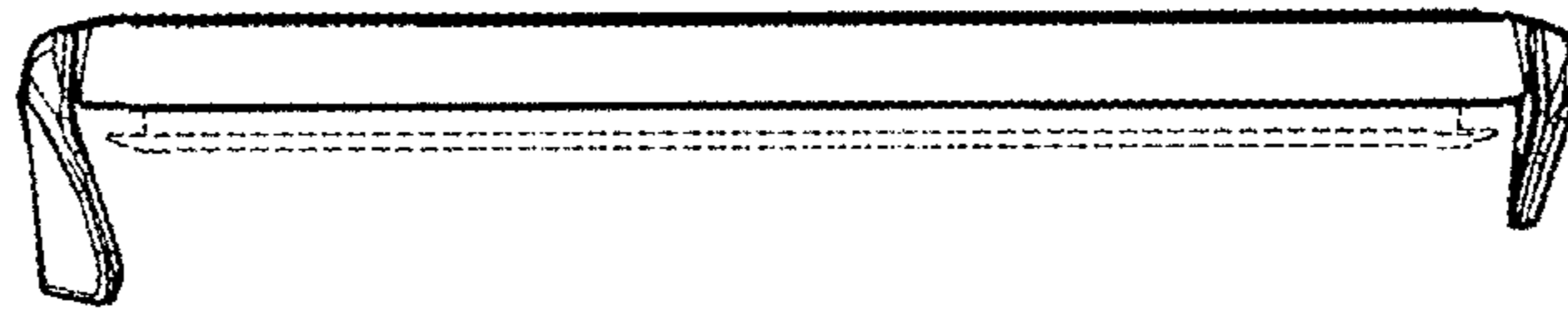


FIG. 4

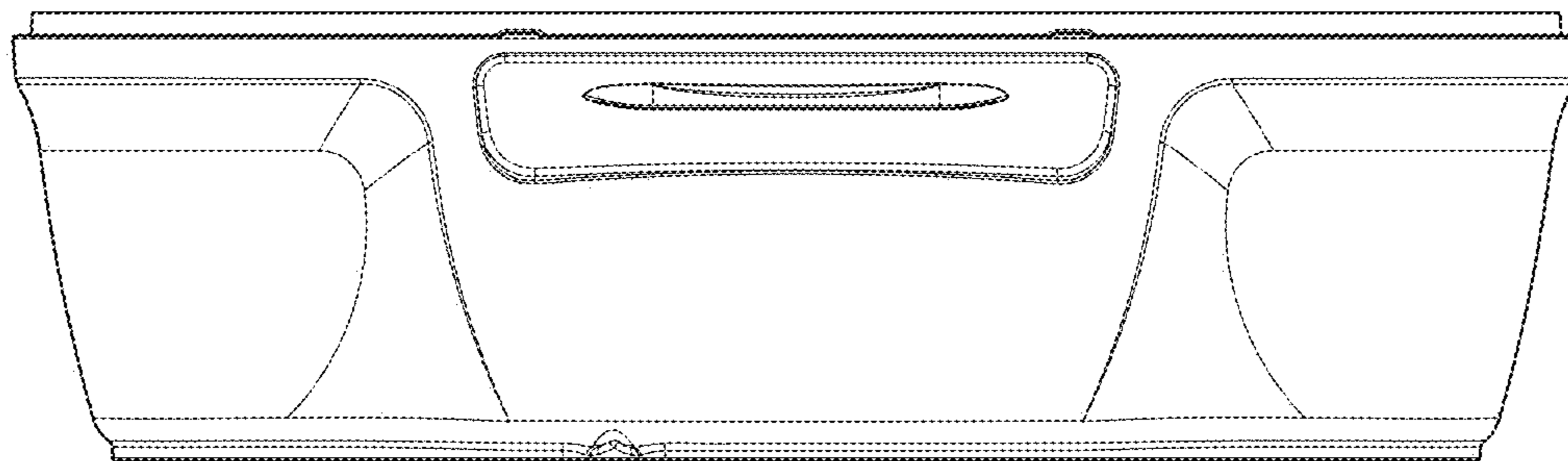
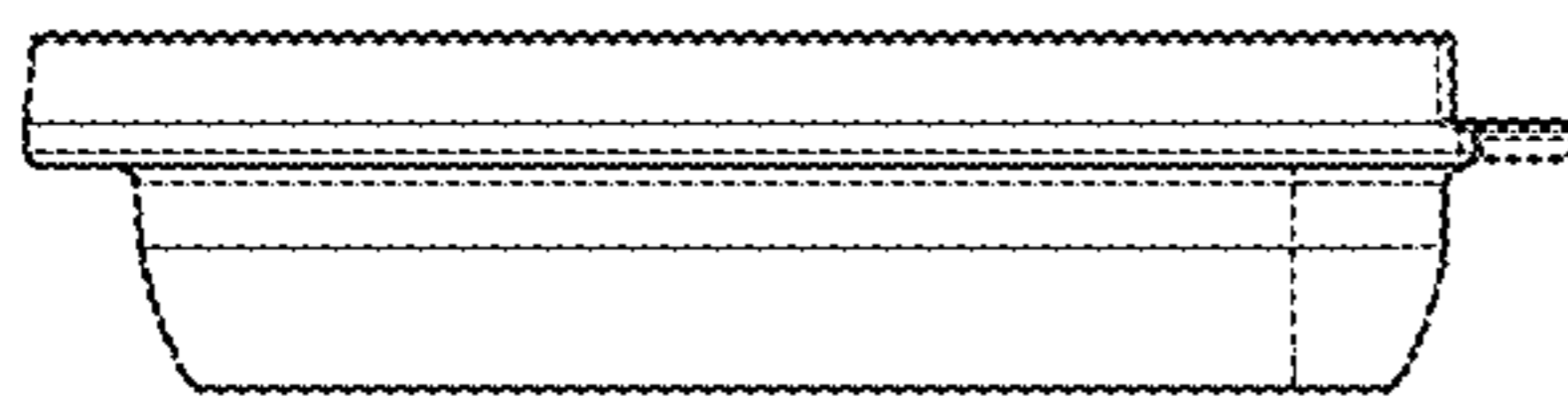
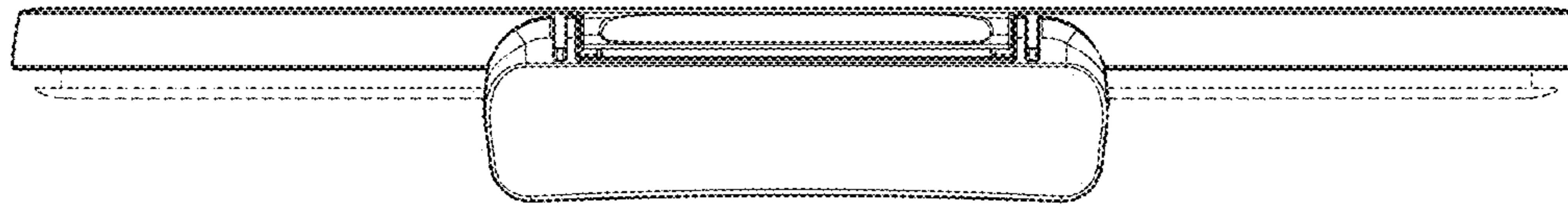


FIG. 5

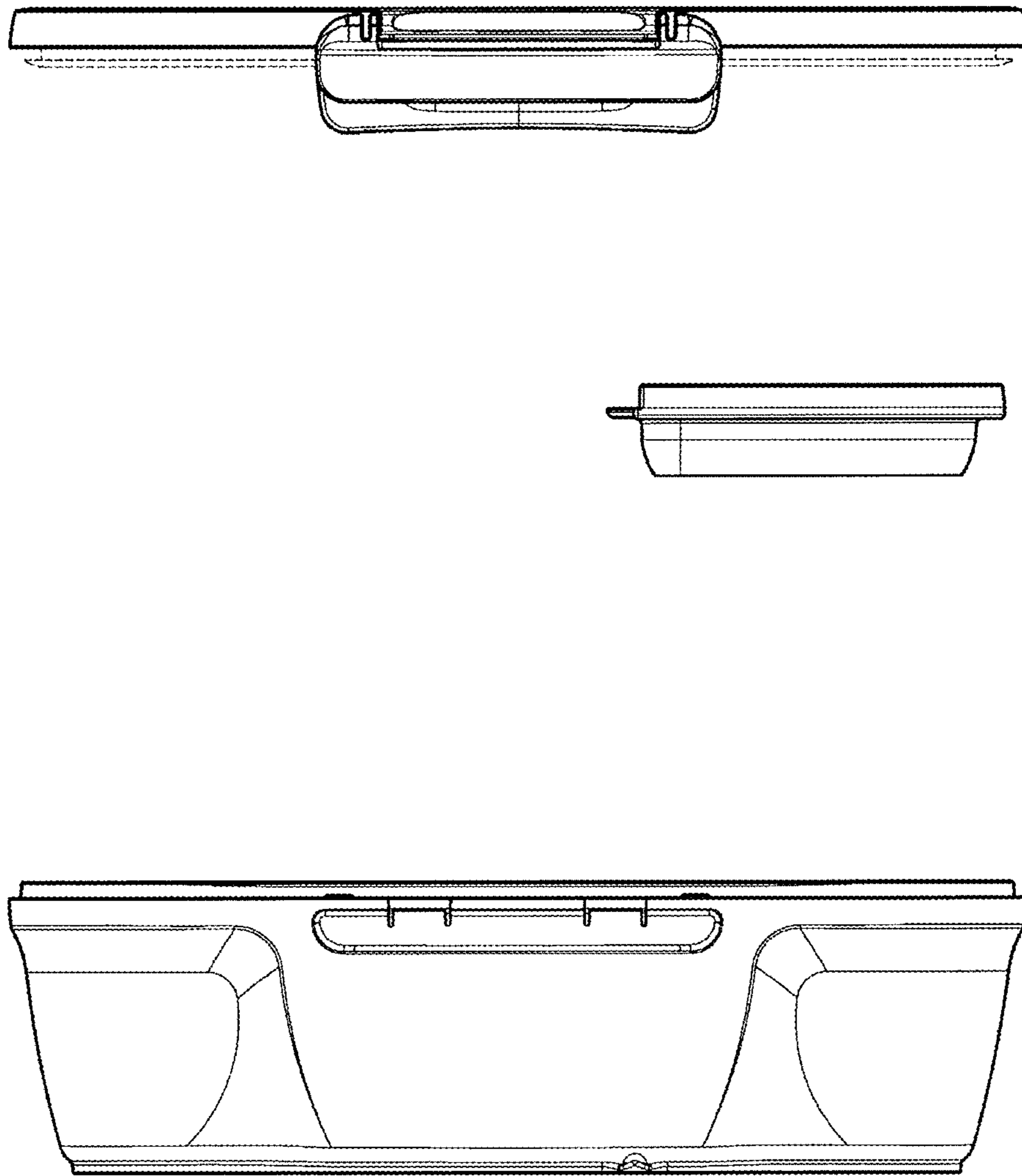


FIG. 6



FIG. 7

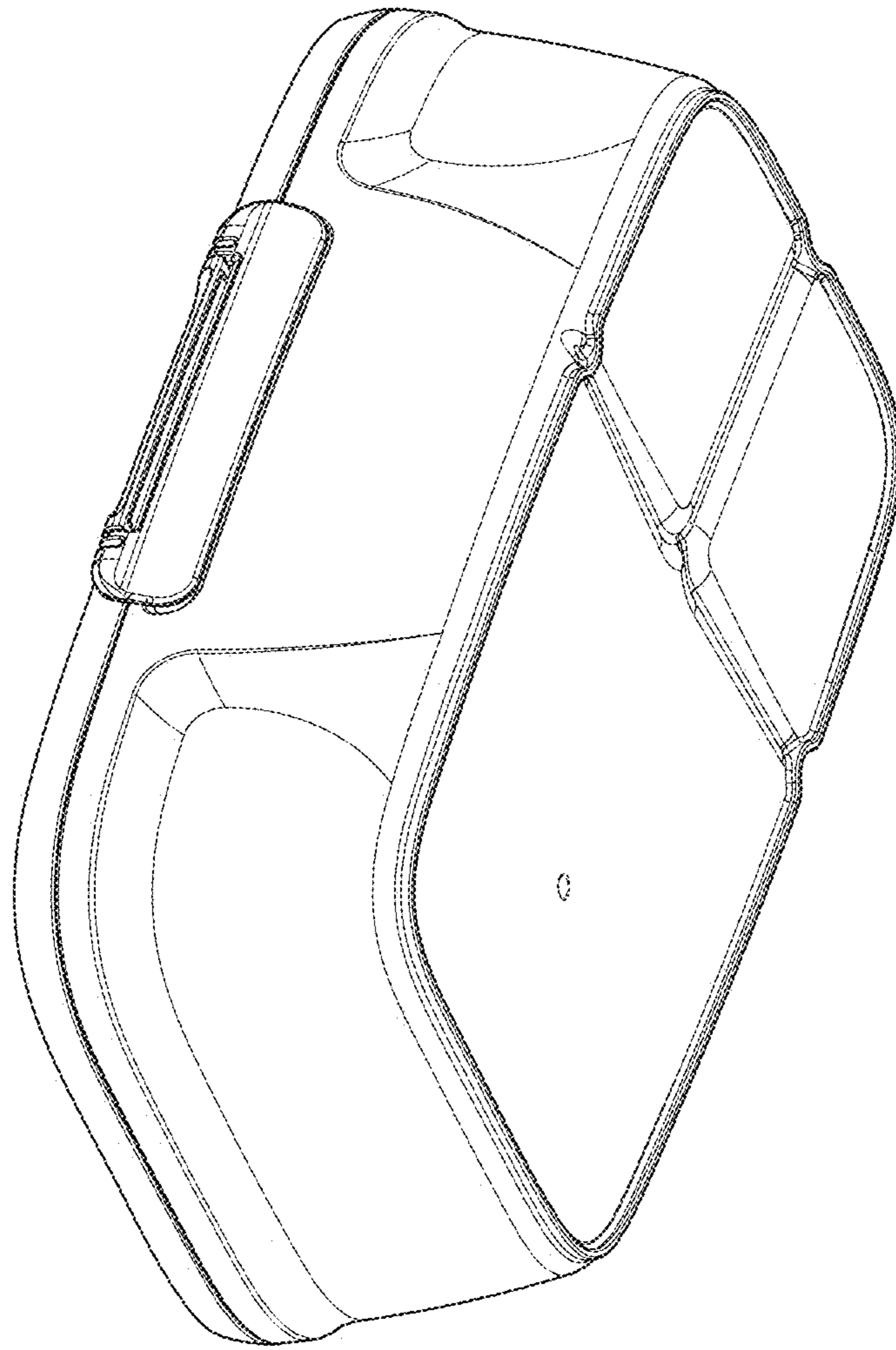


FIG. 8

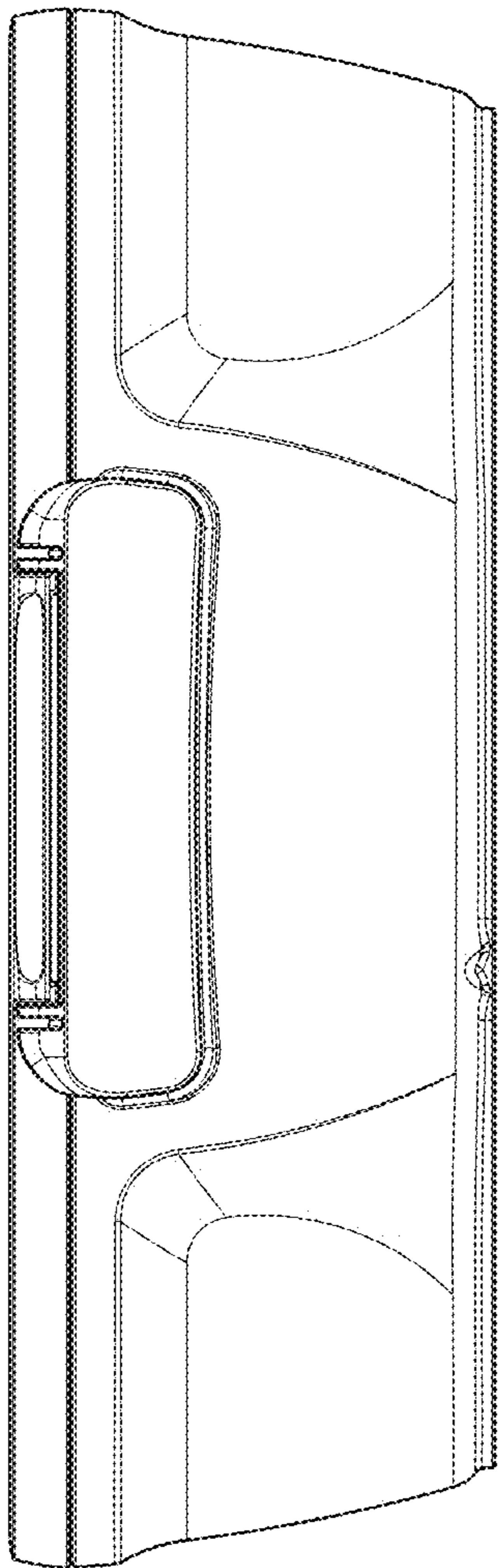


FIG. 9

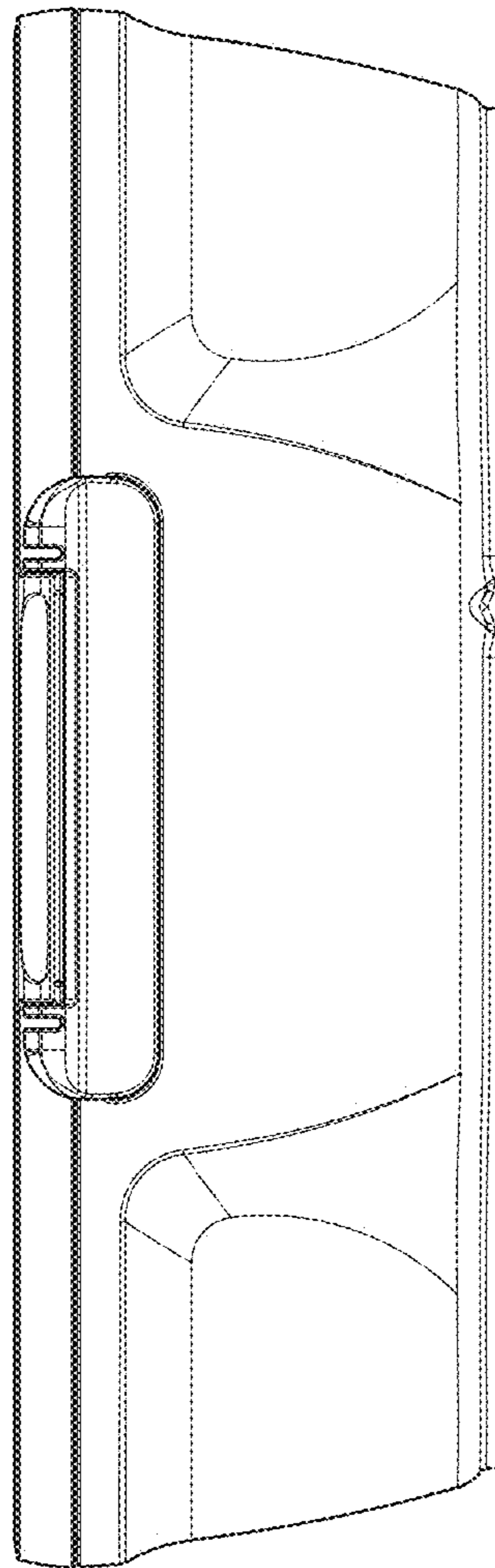


FIG. 10

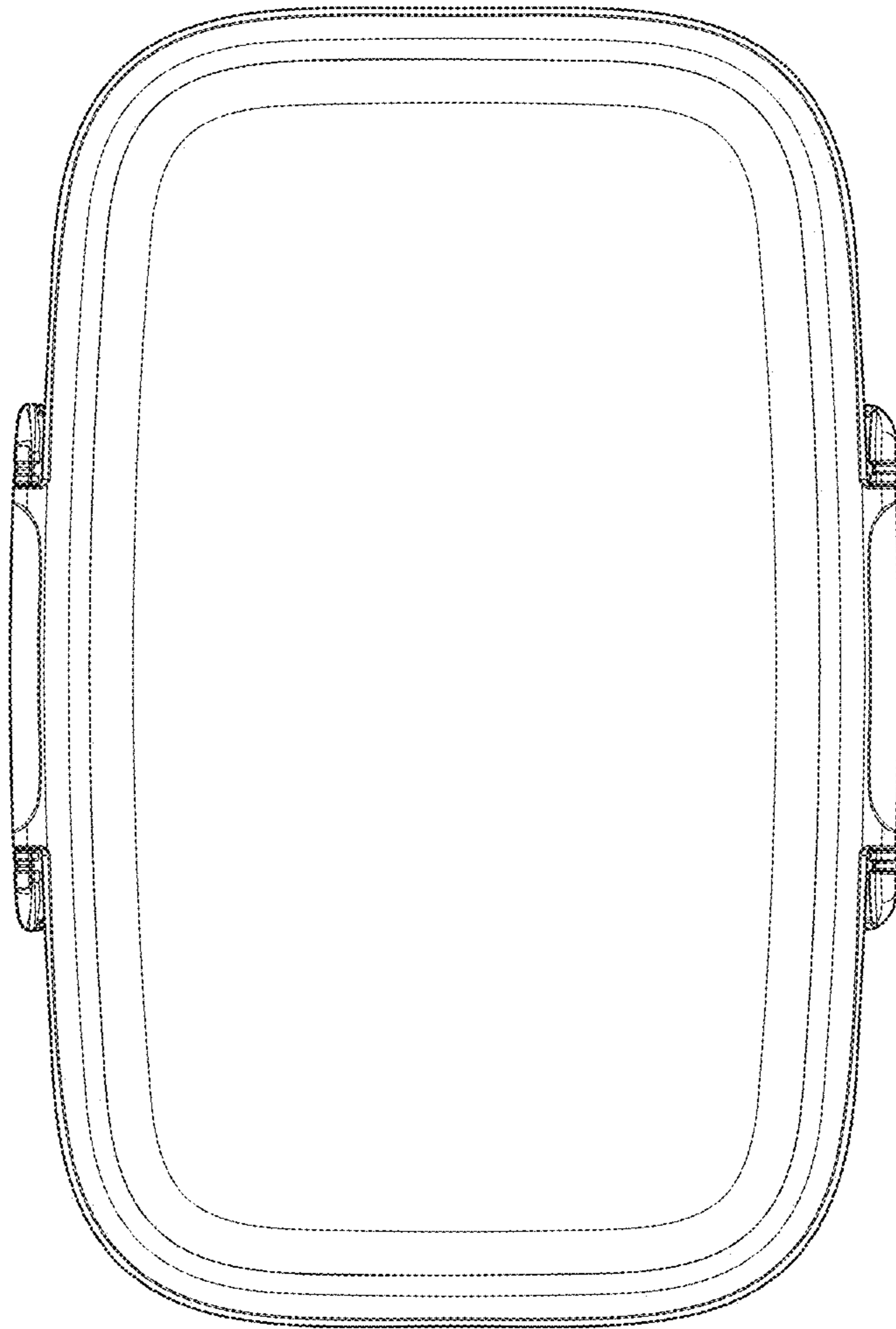


FIG. 11

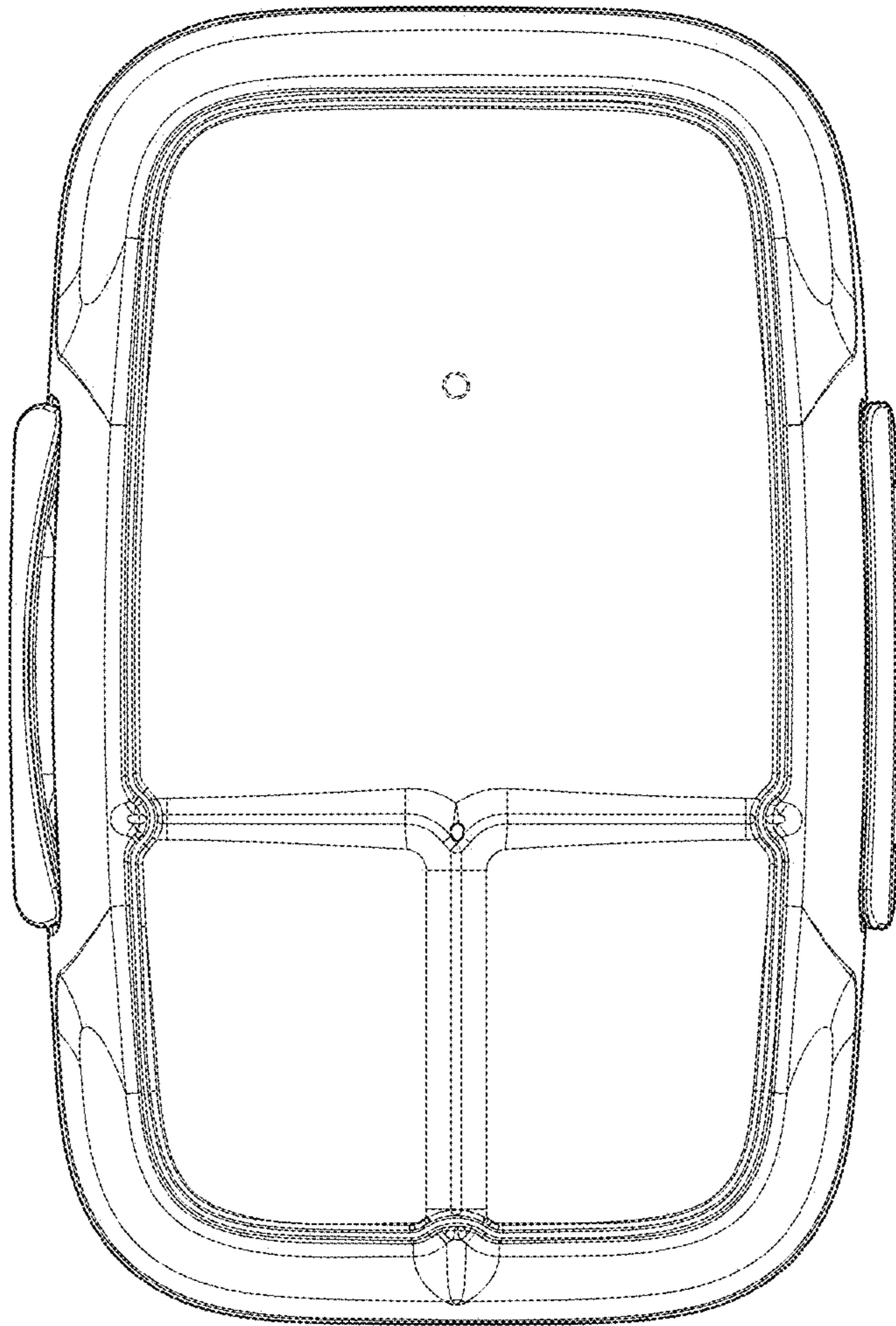


FIG. 12

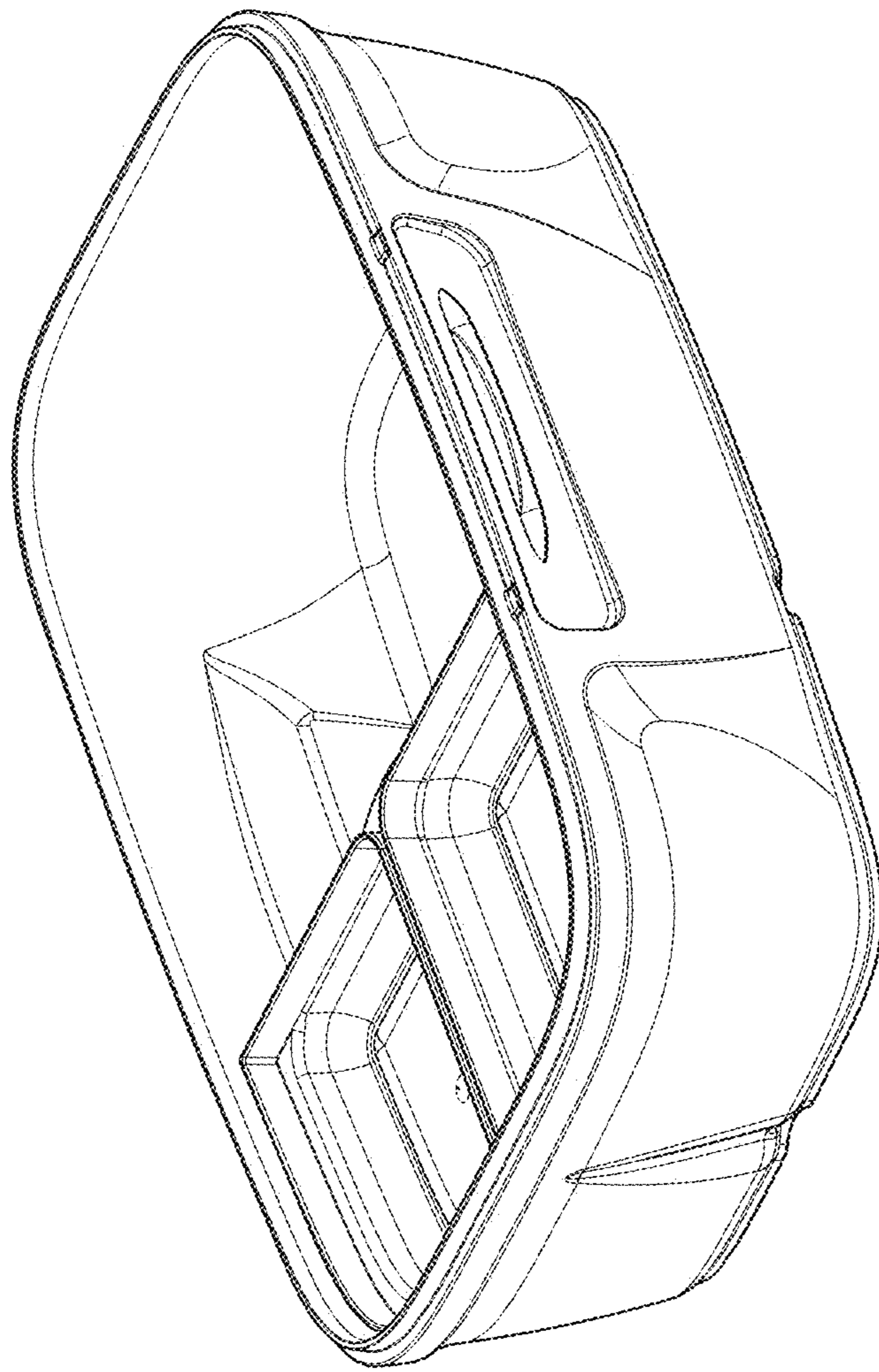


FIG. 13

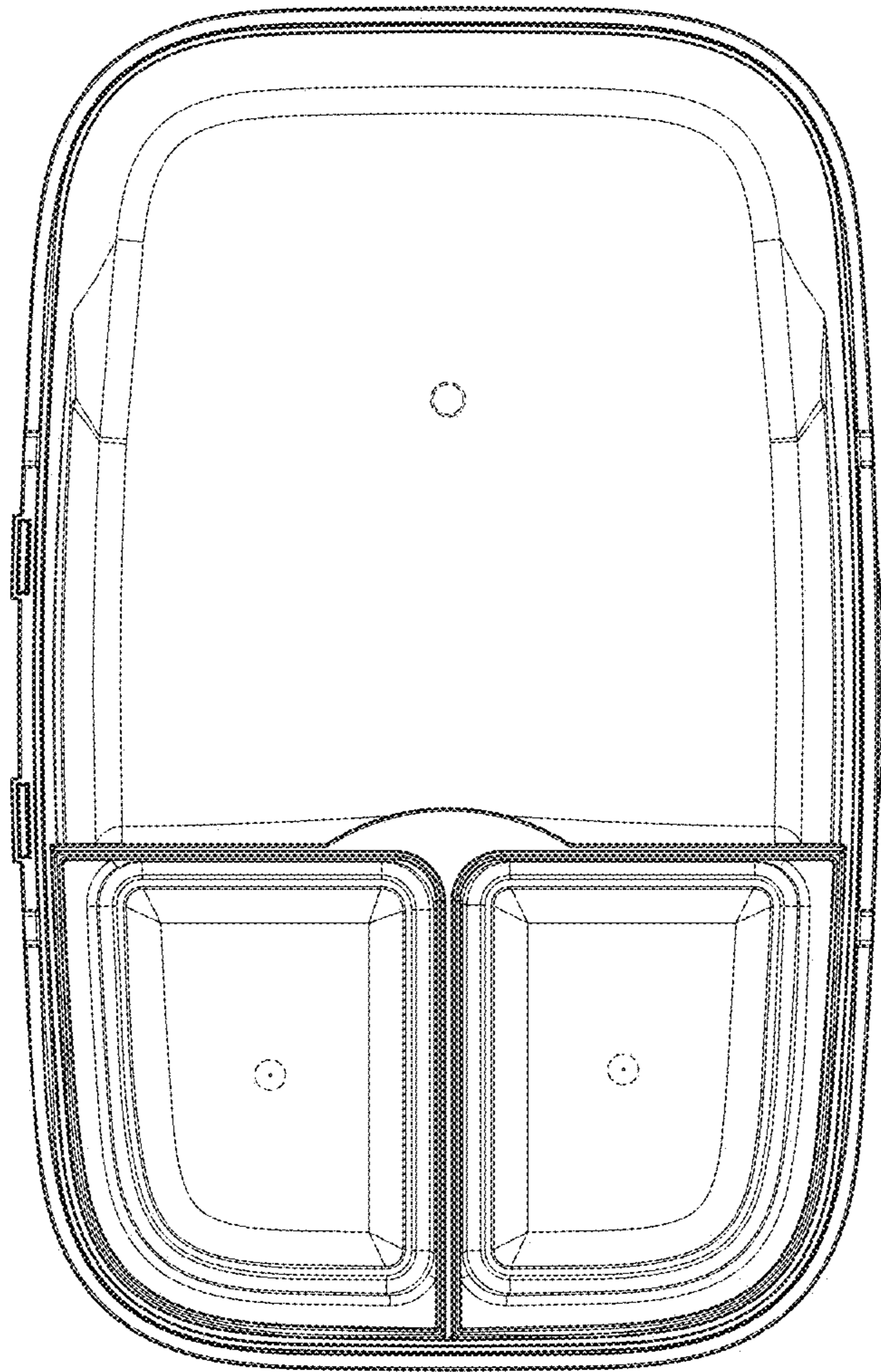


FIG. 14

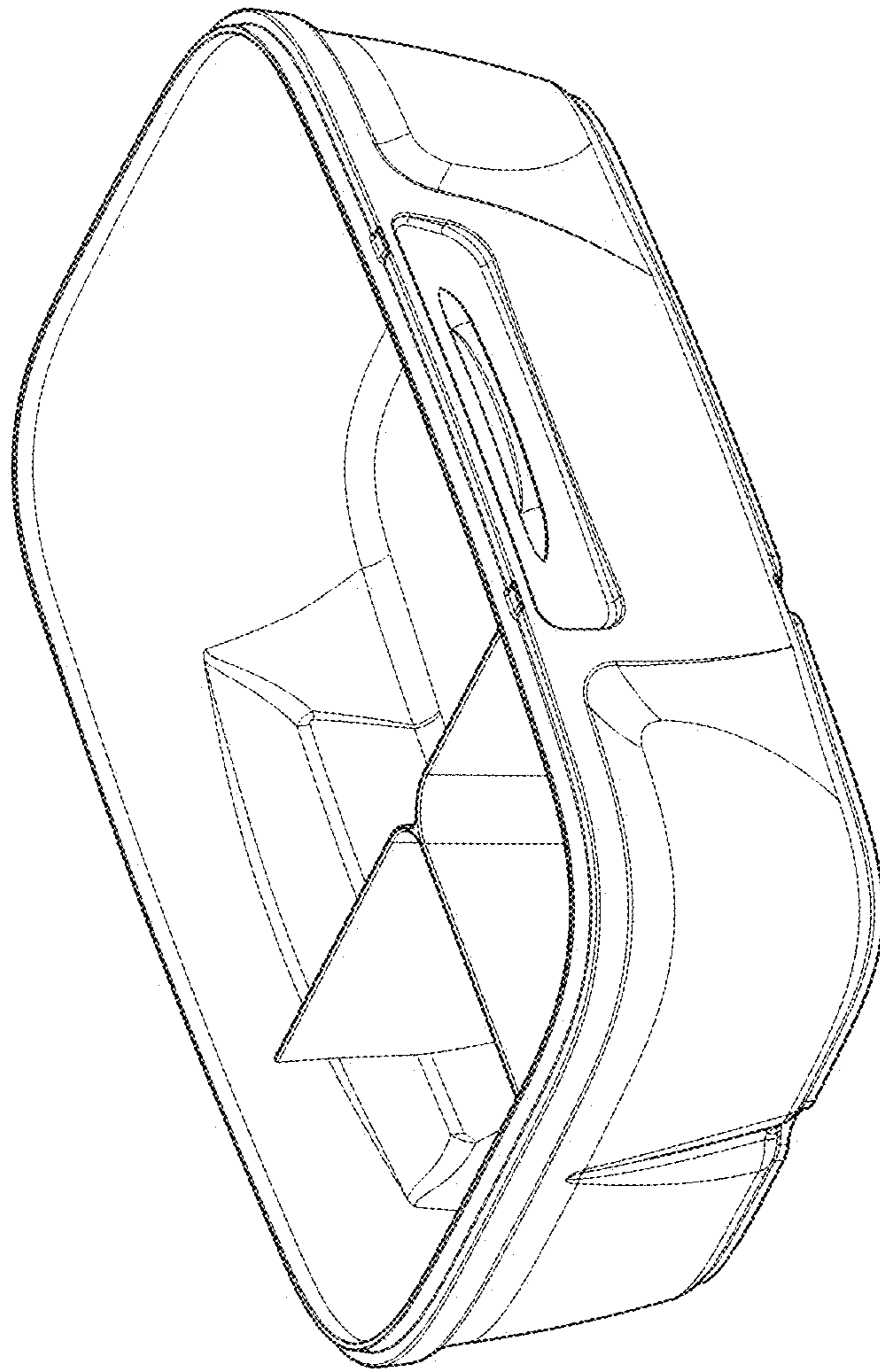


FIG. 15

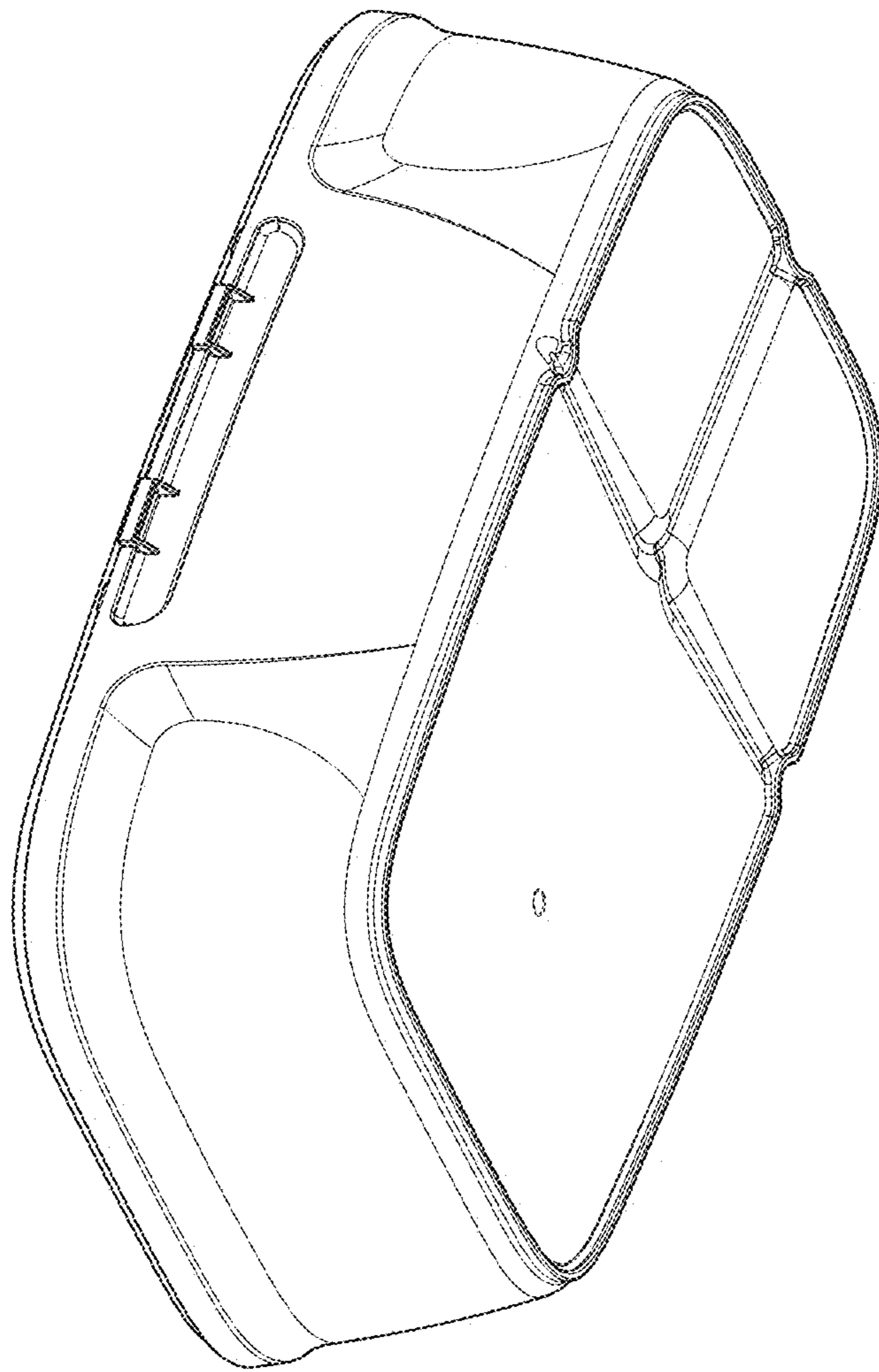


FIG. 16

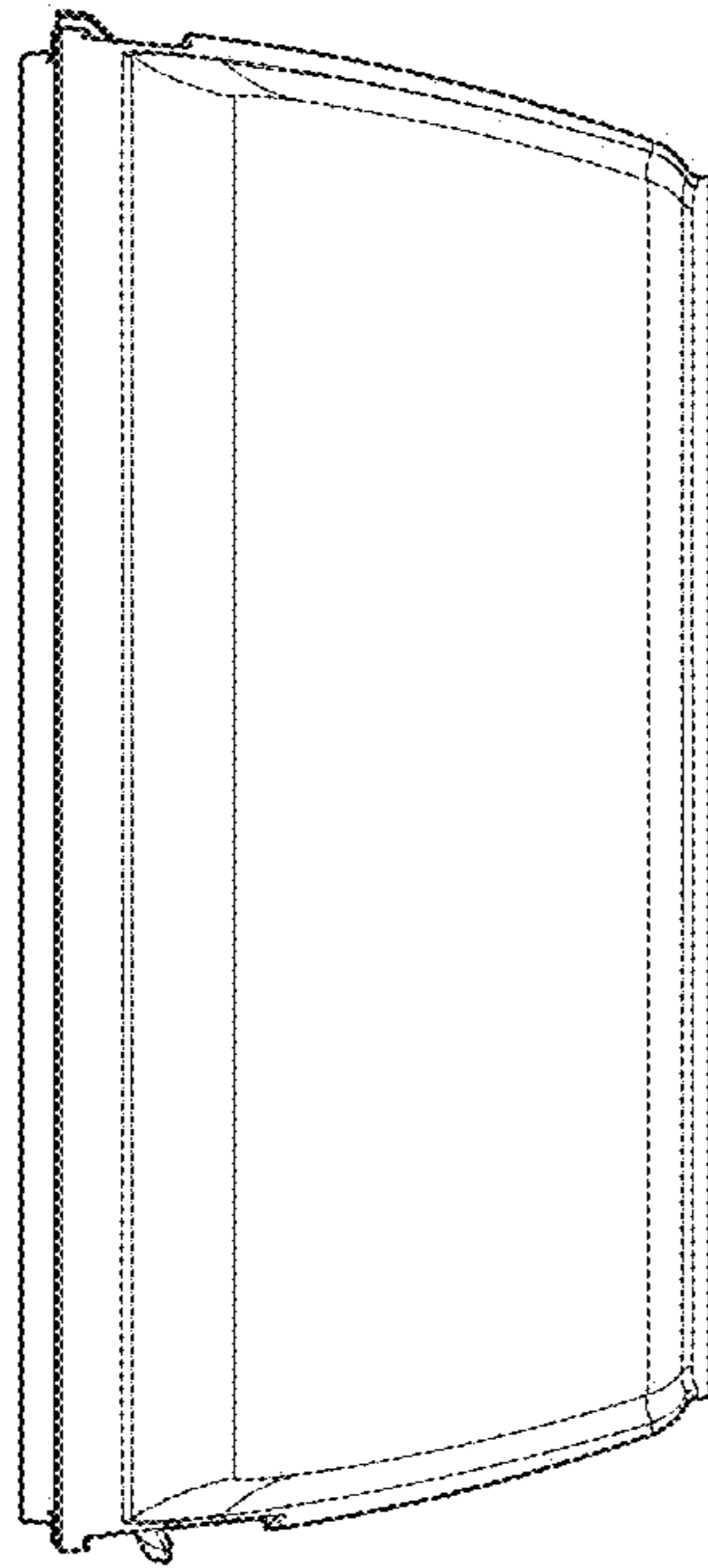


FIG. 18

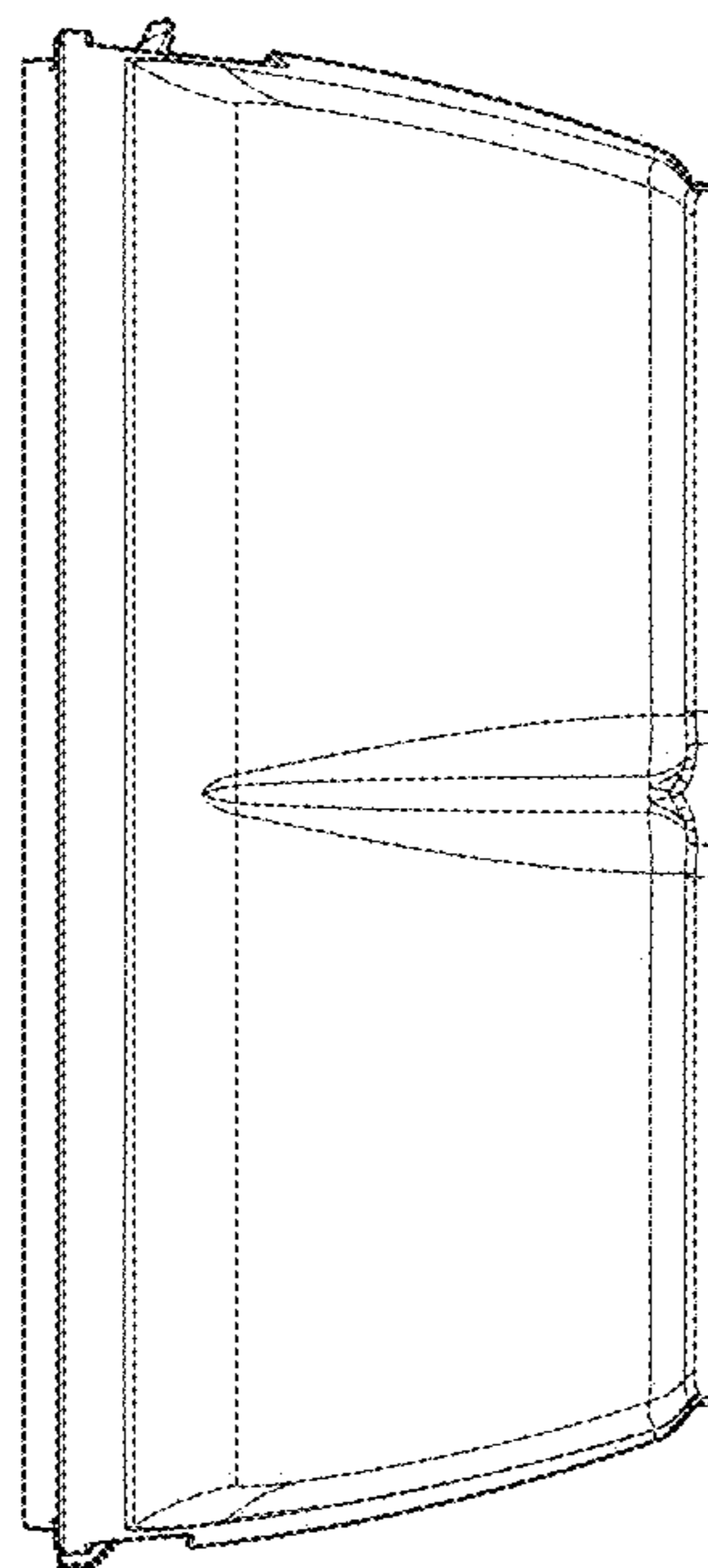


FIG. 17

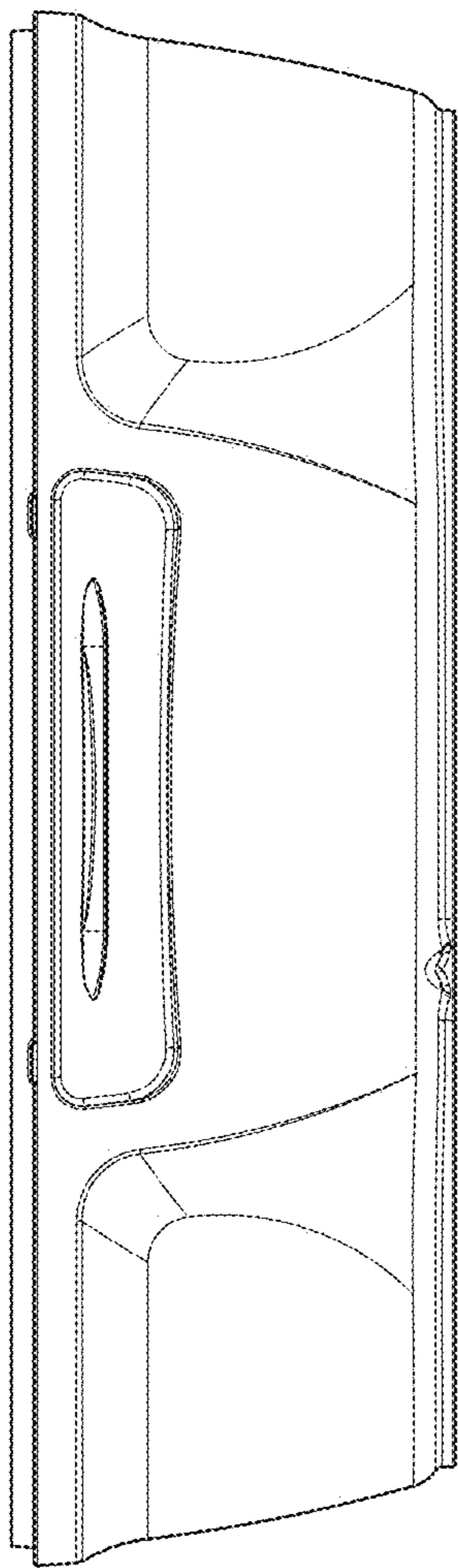


FIG. 19

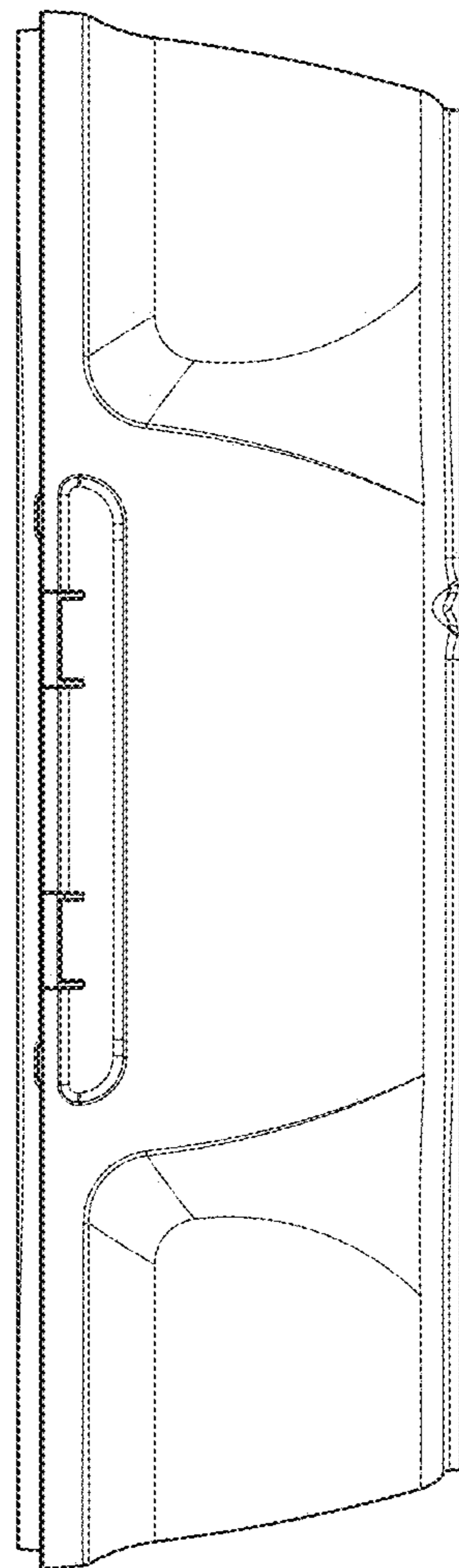


FIG. 20

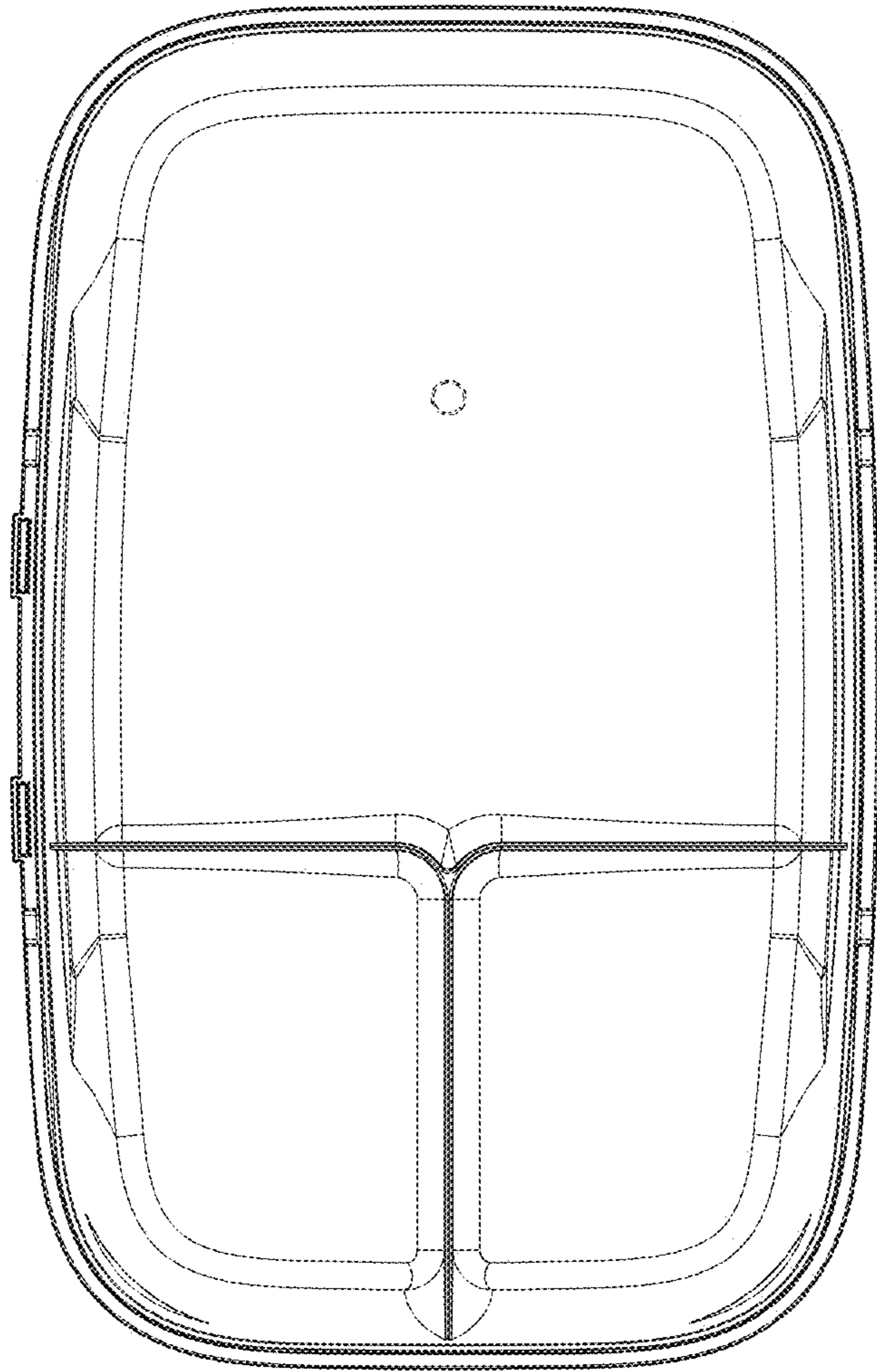


FIG. 21

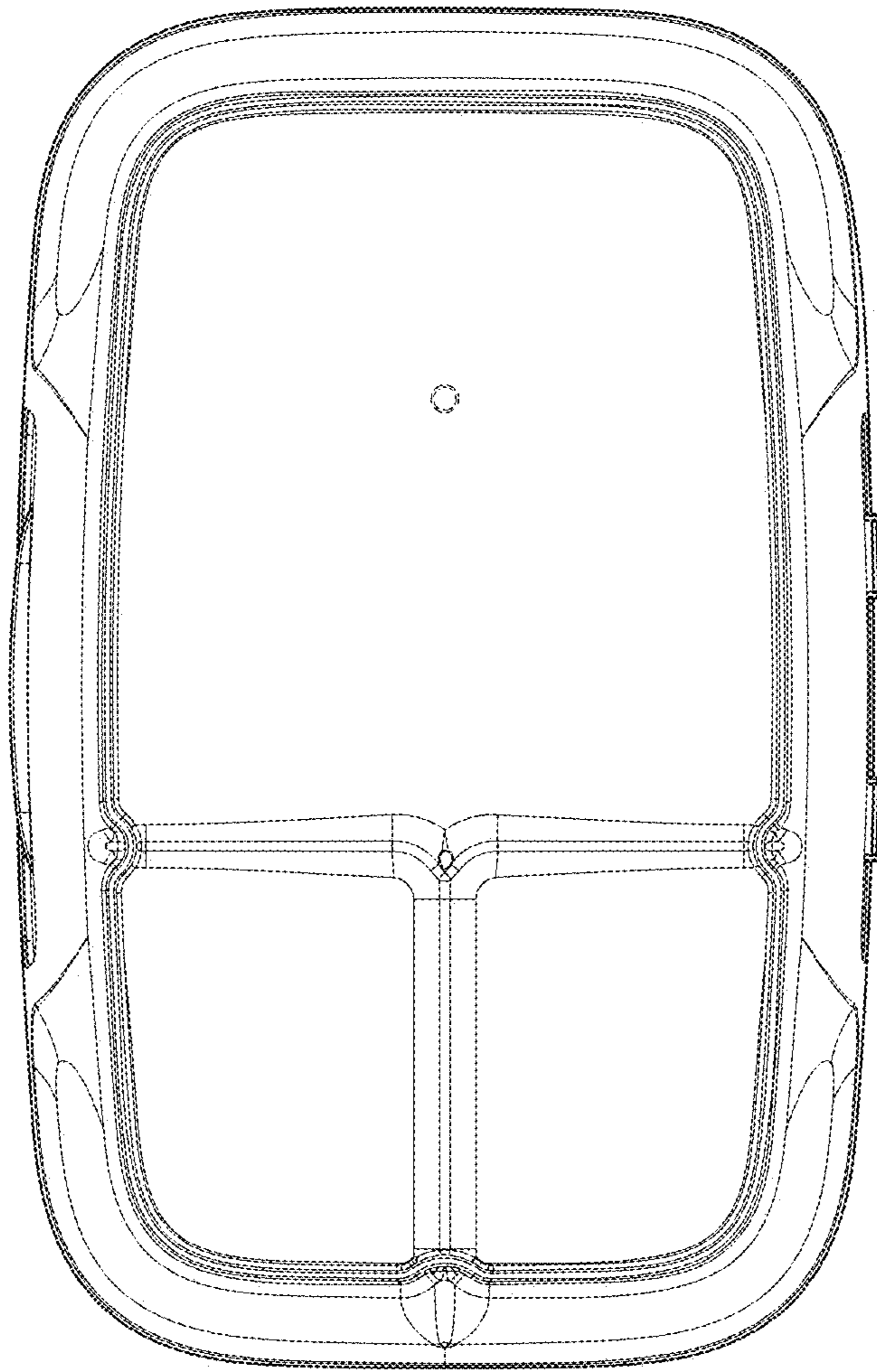


FIG. 22