



US00D904132S

(12) **United States Design Patent**  
 **Holding et al.**

(10) **Patent No.:** **US D904,132 S**

(45) **Date of Patent:** **\*\* Dec. 8, 2020**

(54) **LOCKABLE STACKABLE CONTAINERS**

(71) Applicant: **JOSEPH JOSEPH LTD.**, London  
(GB)

(72) Inventors: **Bill Holding**, London (GB); **Ben Cox**,  
London (GB)

(73) Assignee: **JOSEPH JOSEPH LTD.**, London  
(GB)

(\*\*) Term: **15 Years**

(21) Appl. No.: **29/659,179**

(22) Filed: **Aug. 7, 2018**

(30) **Foreign Application Priority Data**

Feb. 7, 2018 (EM) ..... 004699668-0003

(51) **LOC (12) Cl.** ..... **09-07**

(52) **U.S. Cl.**  
USPC ..... **D7/629**

(58) **Field of Classification Search**

USPC ..... D7/505, 538, 541, 555, 629, 601, 602,  
D7/605, 701, 708; D9/414-432, 737,  
D9/741, 743-745, 759, 761  
CPC .... A47G 19/027; A47G 19/127; A47G 23/04;  
A47G 23/06; B65D 1/36; B65D  
2543/00296; B65D 2543/00027; B65D  
2543/00194; B65D 2543/00648; B65D  
25/04; B65D 21/02; B65D 21/0206;  
B65D 2543/00175; B65D 2543/00657;  
A61B 2050/3007; A45C 11/20

See application file for complete search history.

(56) **References Cited**

**U.S. PATENT DOCUMENTS**

D583,200 S \* 12/2008 Moran ..... D7/629  
7,726,483 B2 \* 6/2010 Ramanujam ..... B65D 21/0233  
206/508

D723,339 S \* 3/2015 Maxwell ..... D7/629  
D730,127 S \* 5/2015 Maxwell ..... D7/629  
D803,631 S \* 11/2017 Min ..... D7/605  
10,173,826 B2 \* 1/2019 Sexton ..... B65D 45/18  
2005/0006390 A1 \* 1/2005 Wang ..... B65D 45/30  
220/326  
2005/0035125 A1 \* 2/2005 Bae ..... B65D 45/20  
220/326  
2014/0103033 A1 \* 4/2014 Beckman ..... B65D 43/0212  
220/4.01

\* cited by examiner

*Primary Examiner* — Susan E Krakower

*Assistant Examiner* — Andrew Kerr

(74) *Attorney, Agent, or Firm* — Millen, White, Zelano &  
Branigan, PC; Ryan Pool

(57) **CLAIM**

The ornamental design for a lockable stackable containers,  
as shown and described.

**DESCRIPTION**

FIG. 1 is a side view of a lockable stackable containers  
showing my new design.

FIG. 2 is a front view thereof.

FIG. 3 is another side view thereof.

FIG. 4 is a back side view thereof.

FIG. 5 is a top view thereof.

FIG. 6 is a bottom view thereof.

FIG. 7 is a top perspective view thereof.

FIG. 8 is a top perspective view thereof in a nested con-  
figuration.

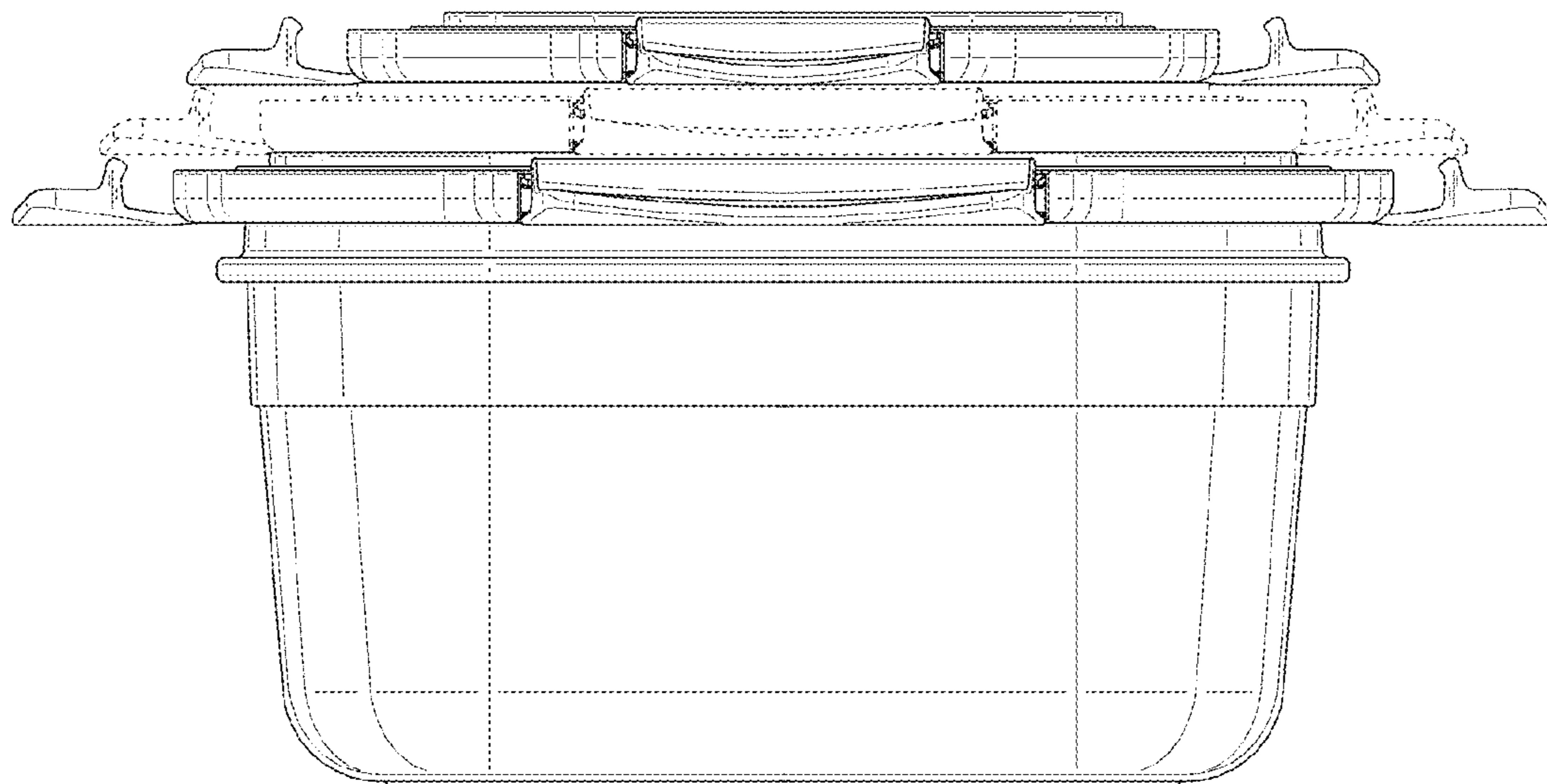
FIG. 9 is a top perspective exploded view thereof.

FIG. 10 is a top perspective exploded view thereof showing  
the lids in an upside down configuration; and,

FIG. 11 is a bottom perspective exploded view thereof  
showing the lids in an upside down configuration.

The broken lines in the drawings illustrate portions of the  
lockable stackable containers which form no part of the  
claimed design.

**1 Claim, 11 Drawing Sheets**



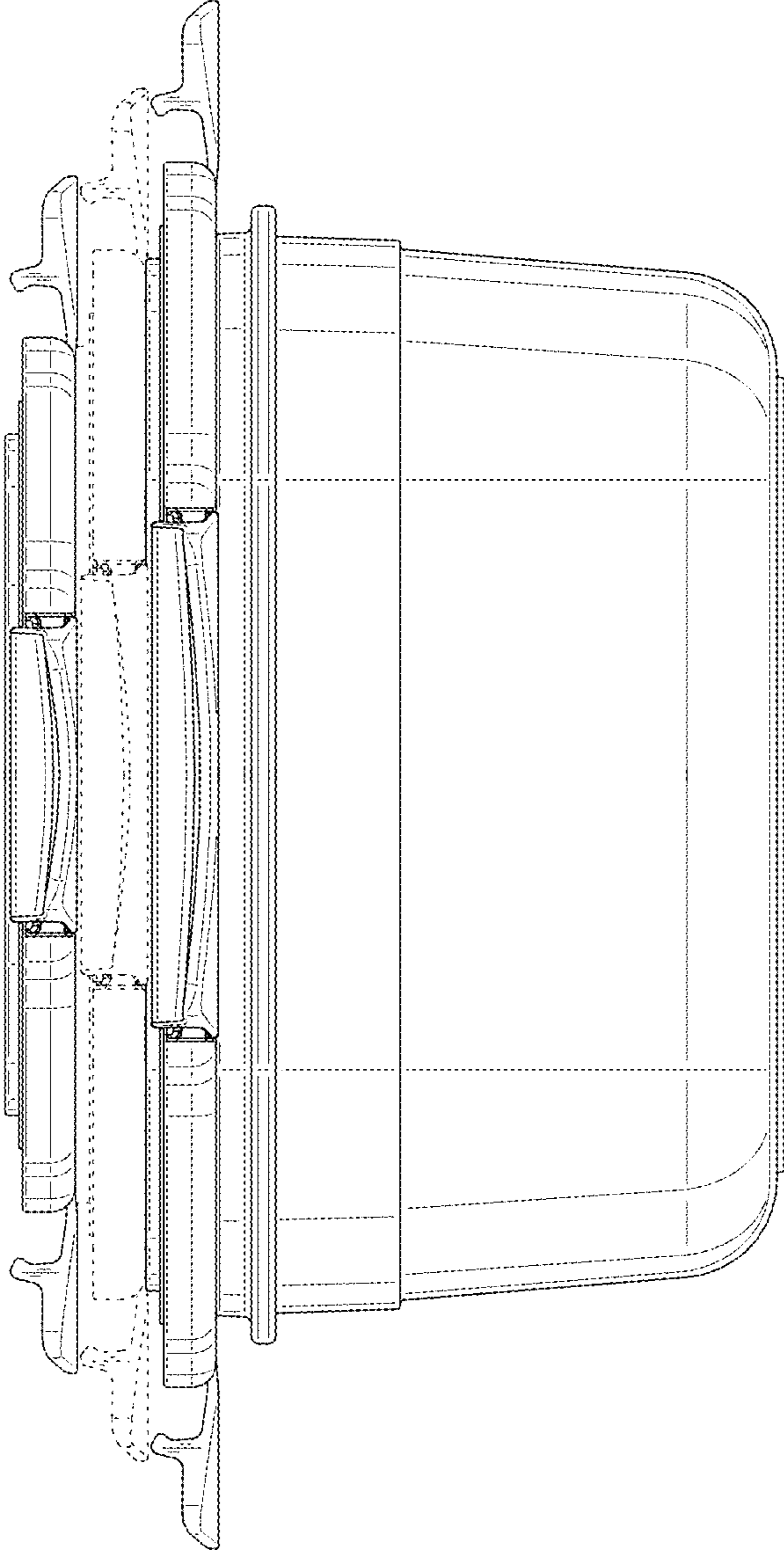


FIG. 1

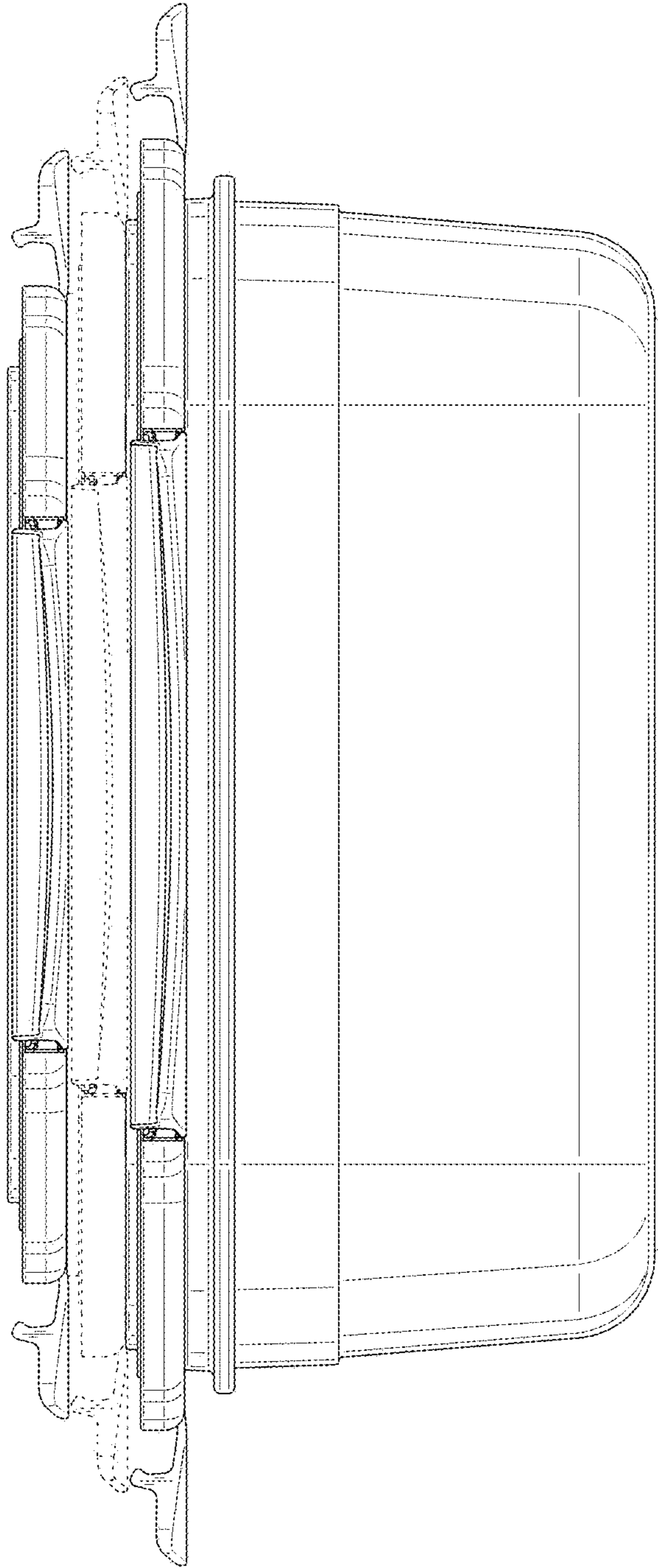


FIG. 2

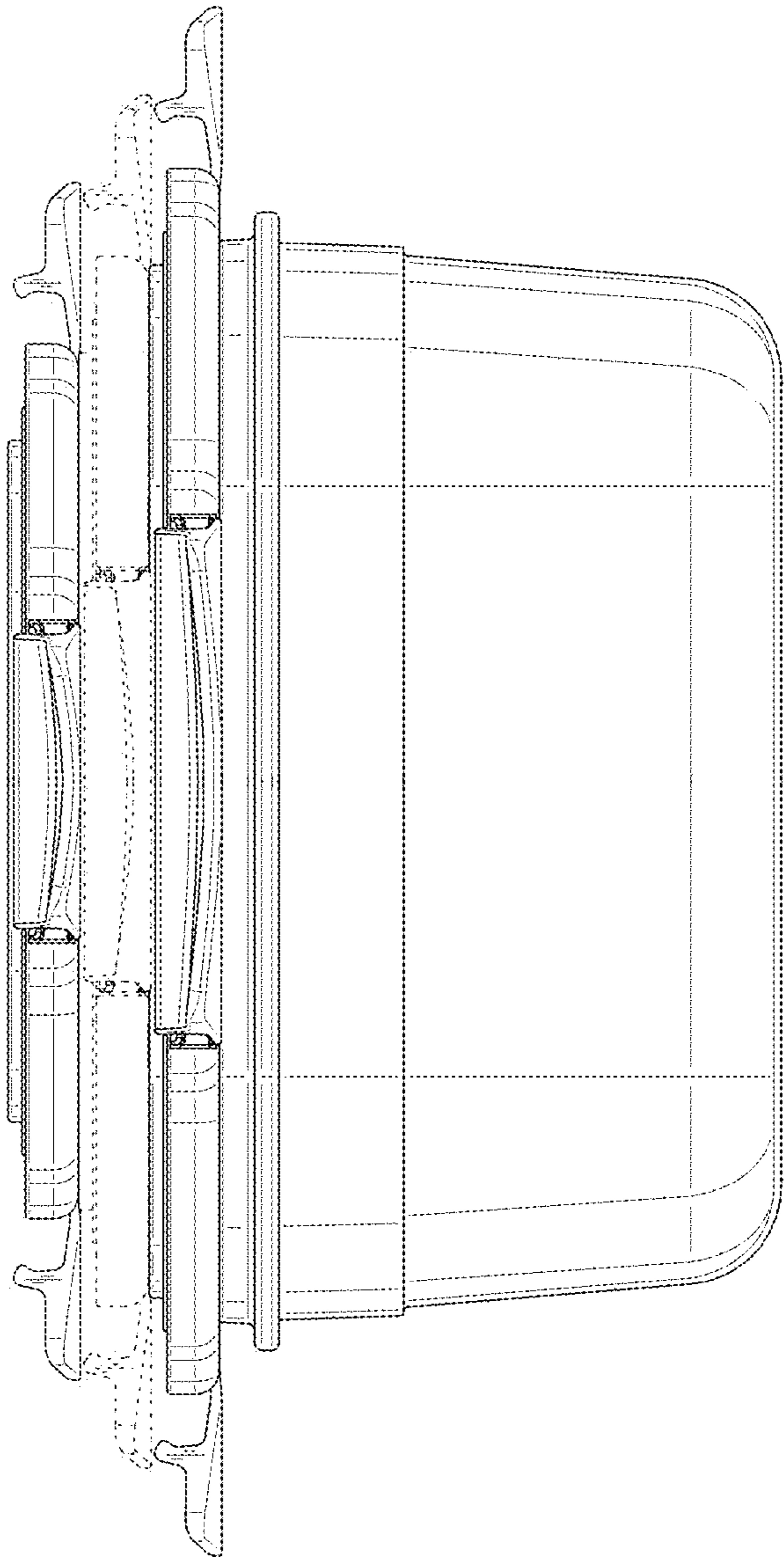


FIG. 3

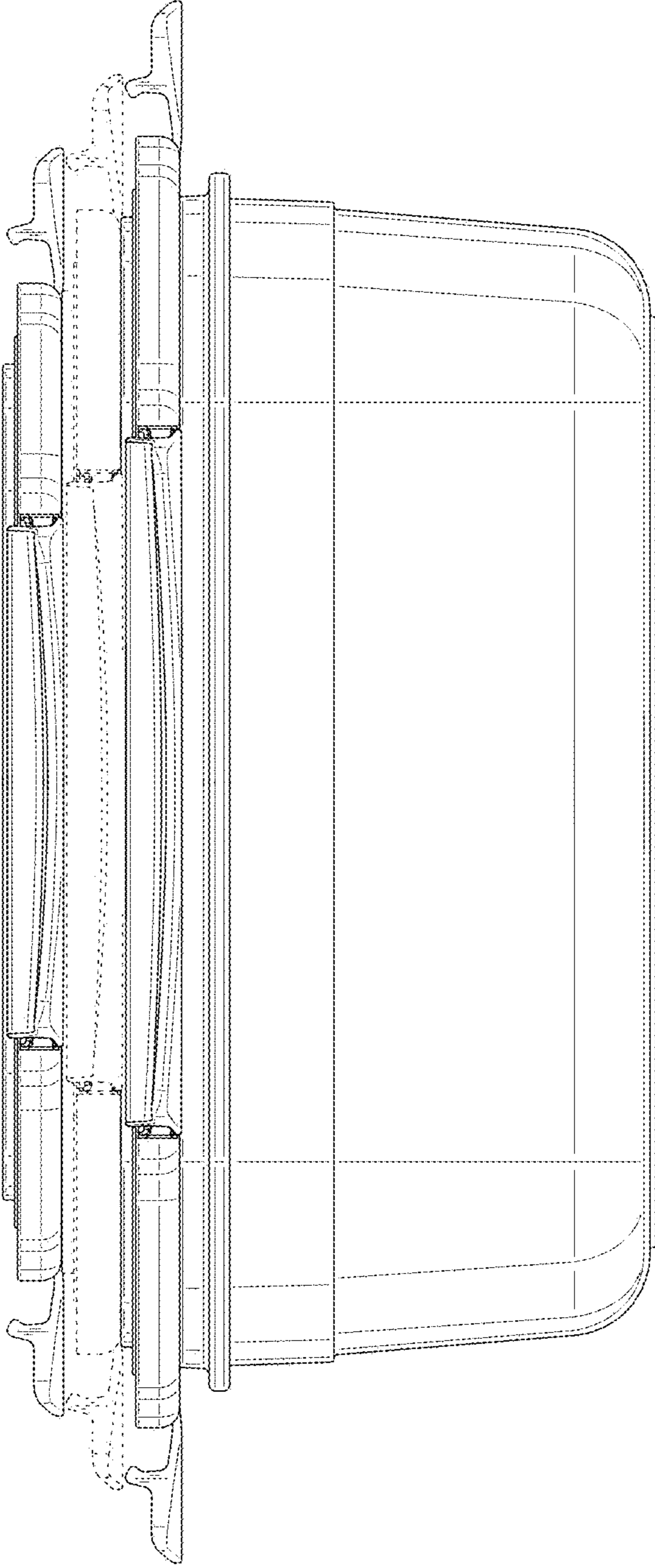


FIG. 4

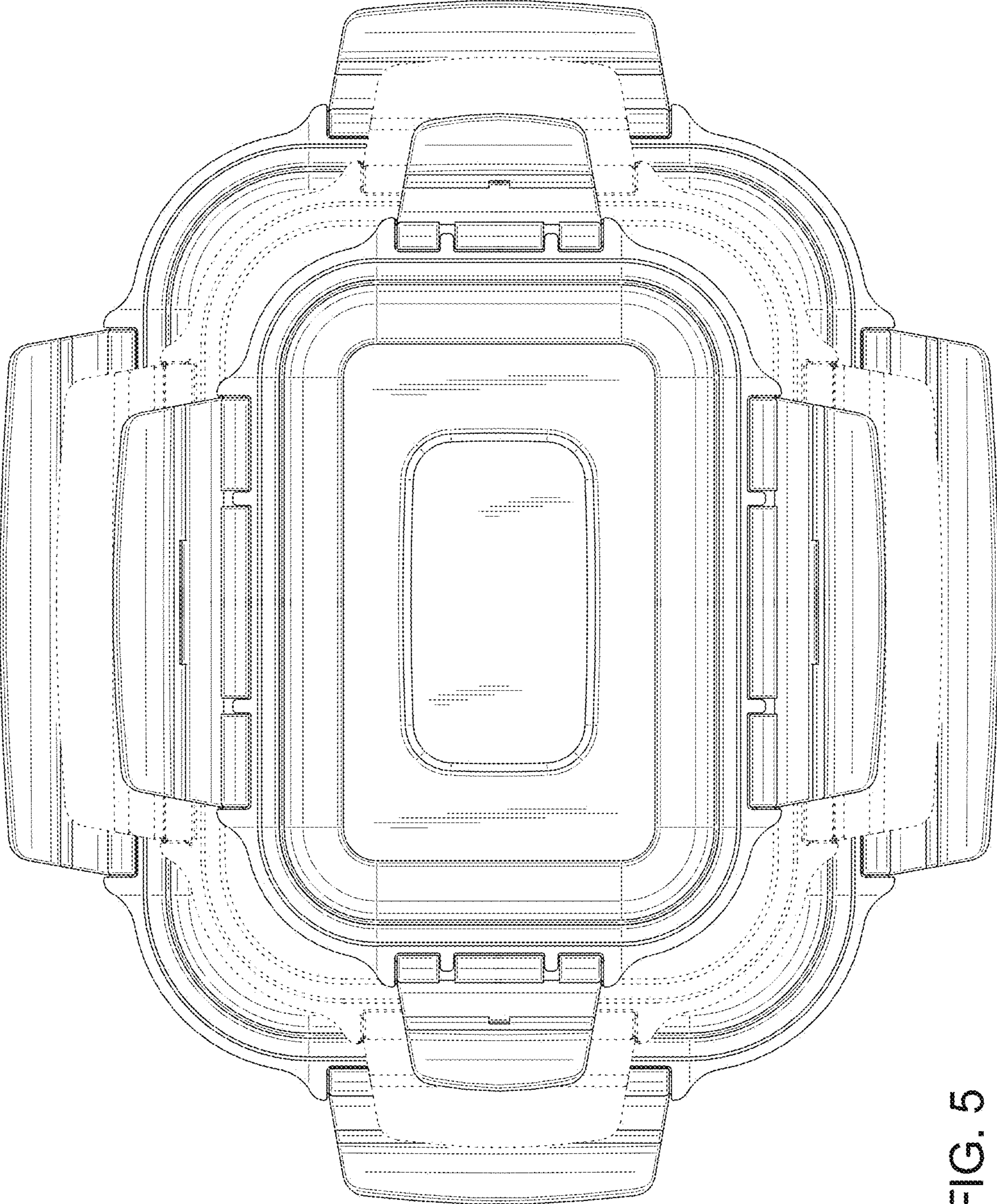


FIG. 5

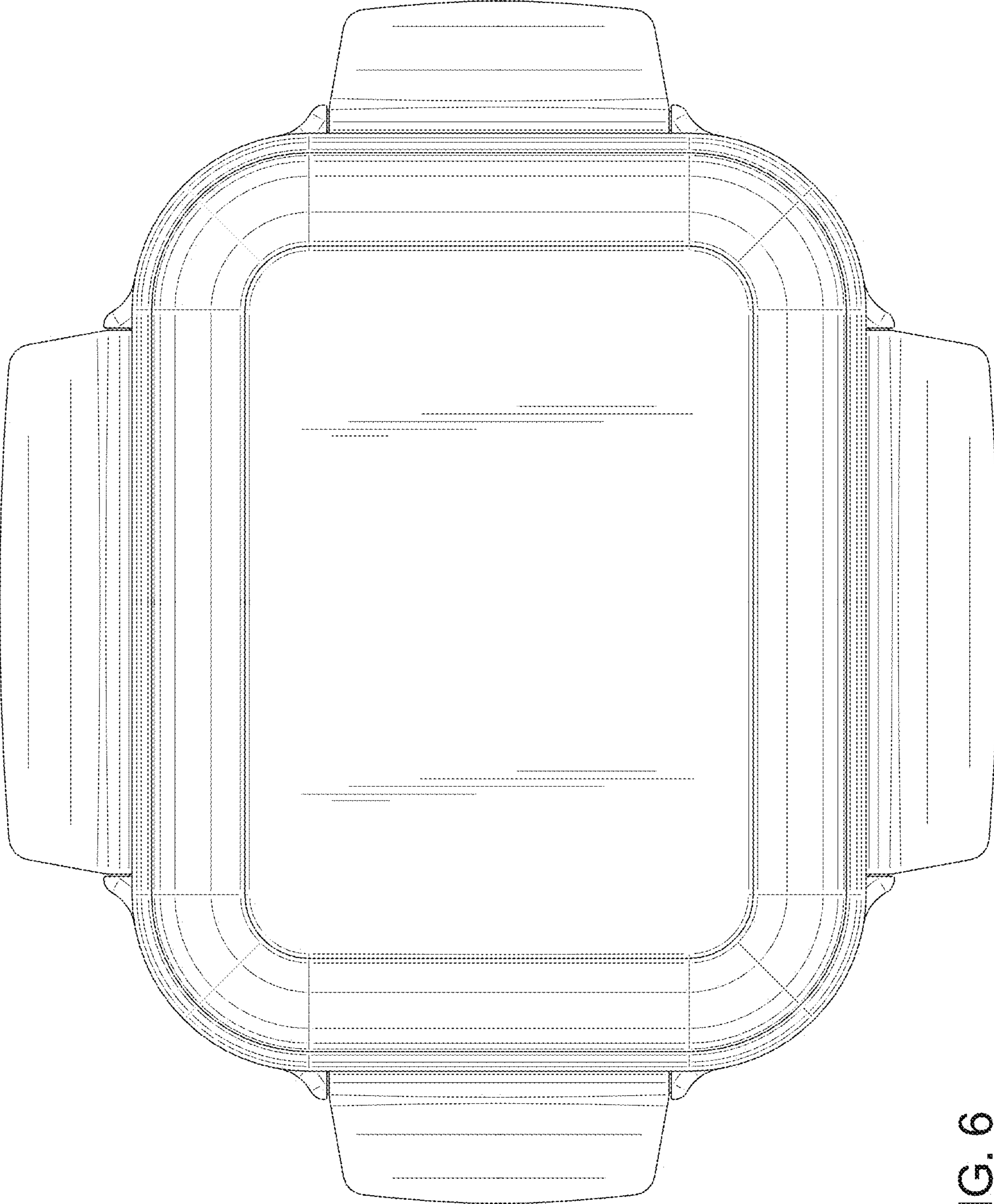


FIG. 6

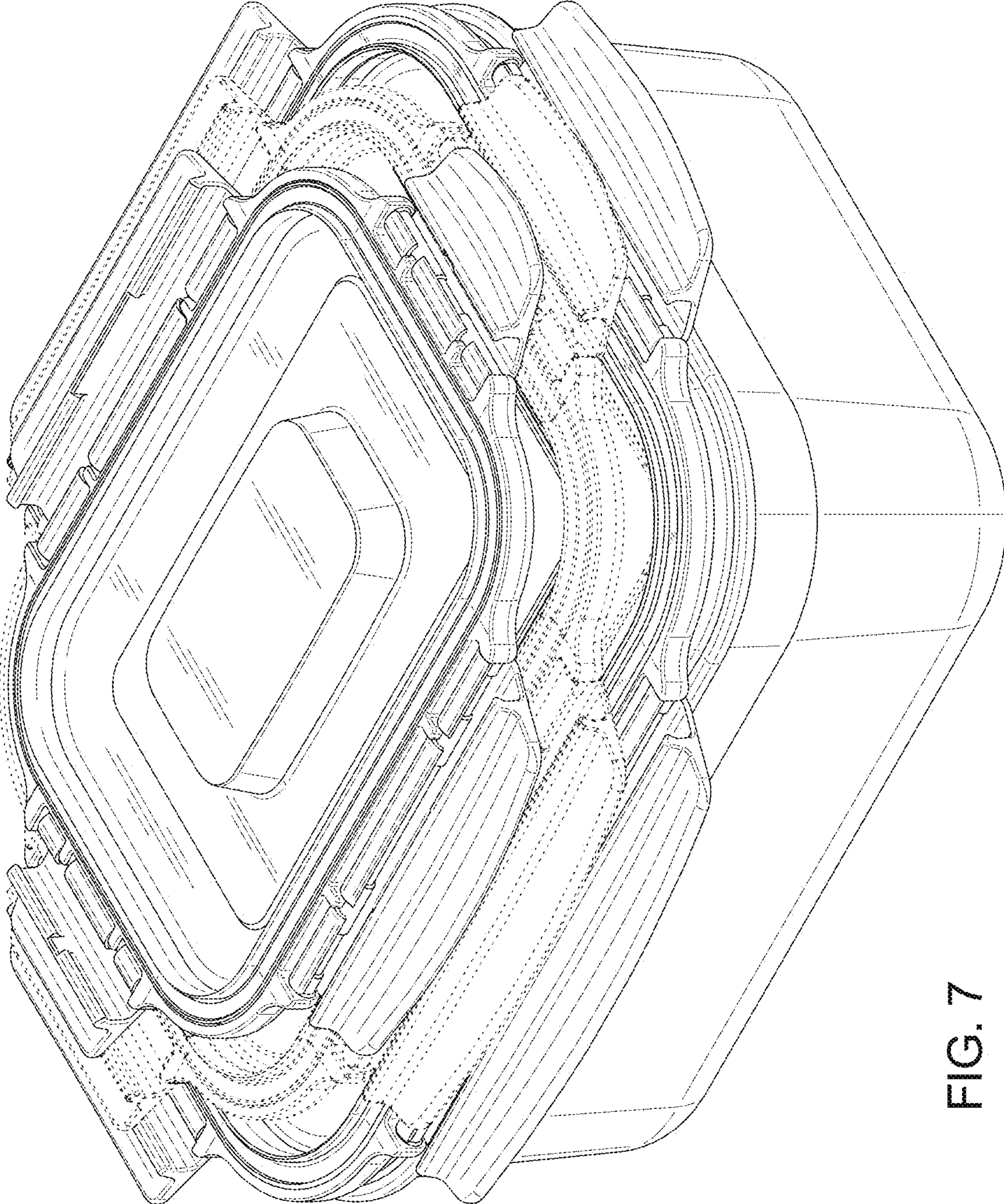


FIG. 7



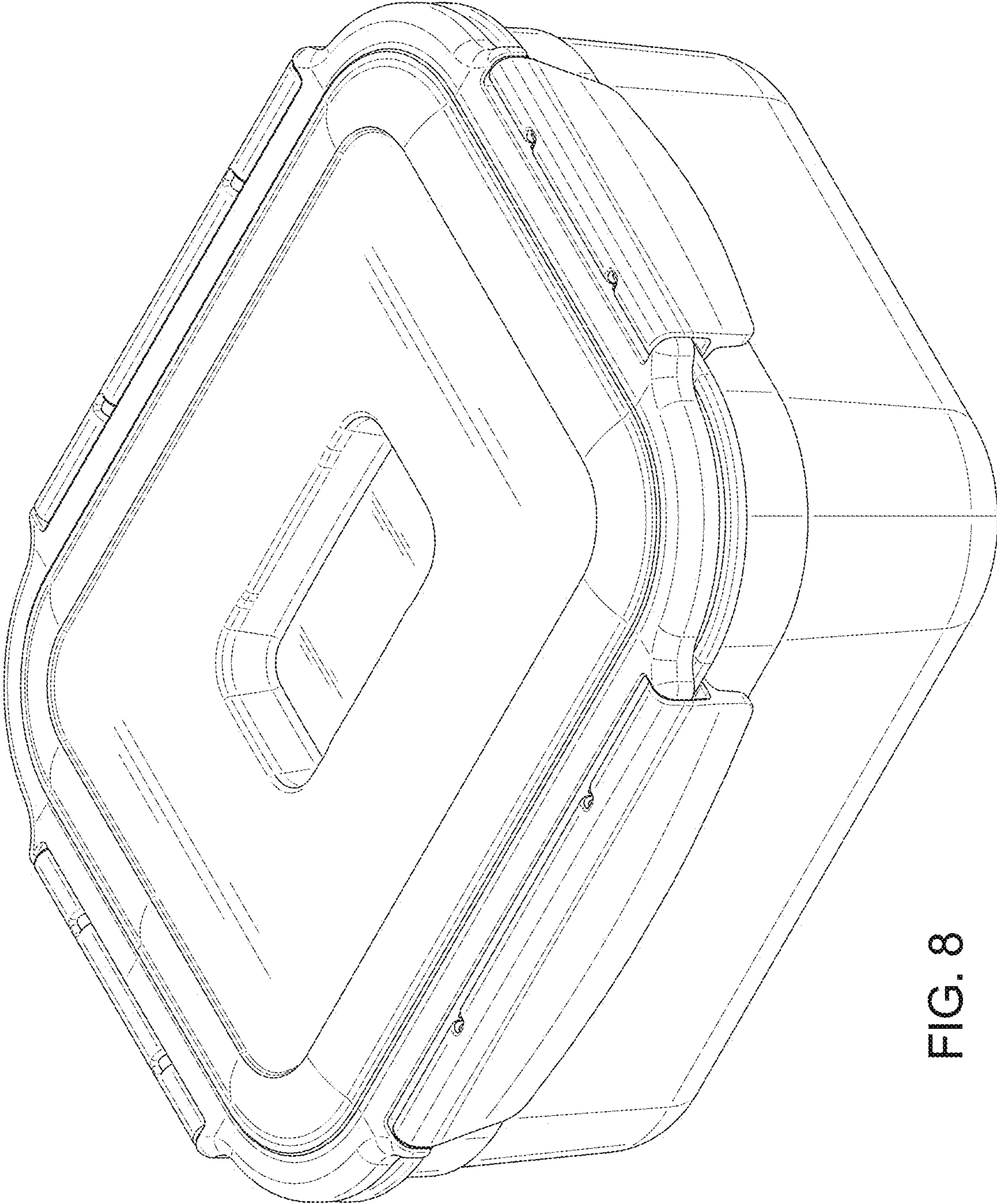


FIG. 8

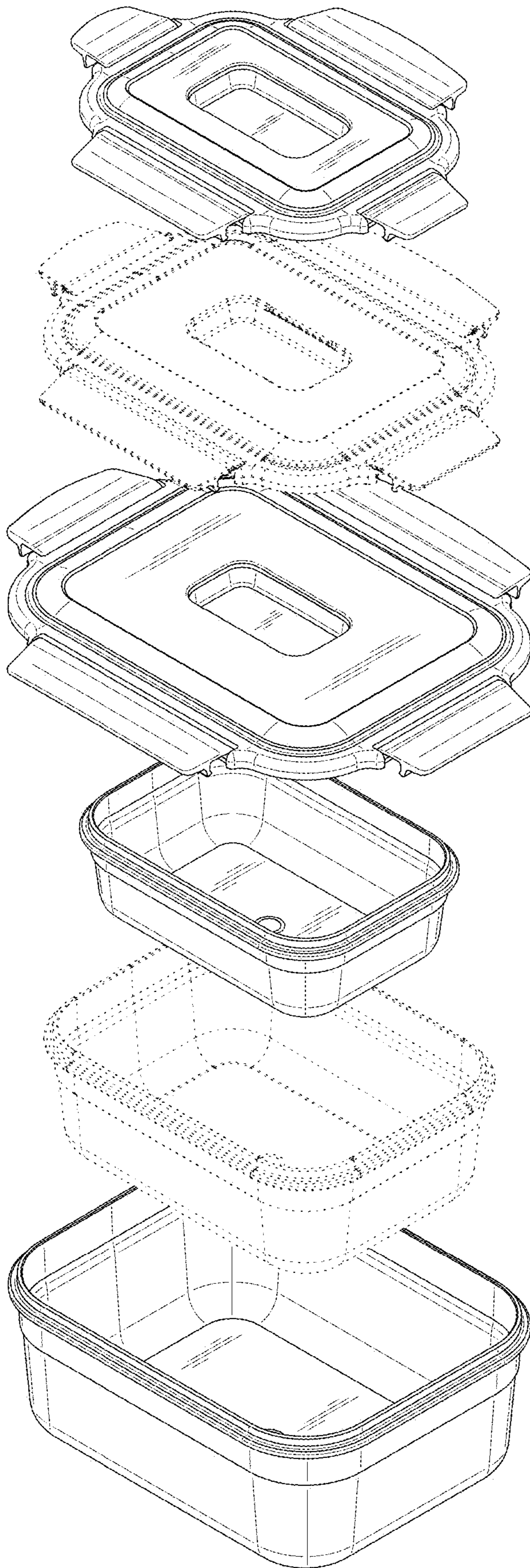


FIG. 9

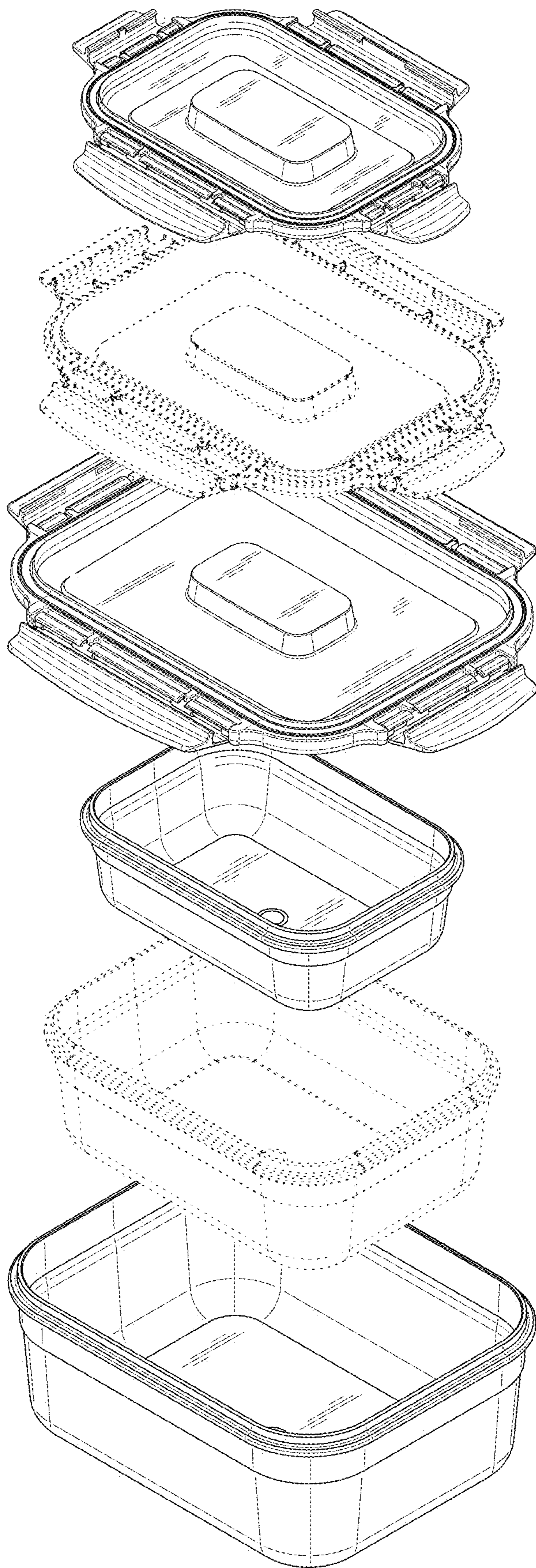


FIG. 10

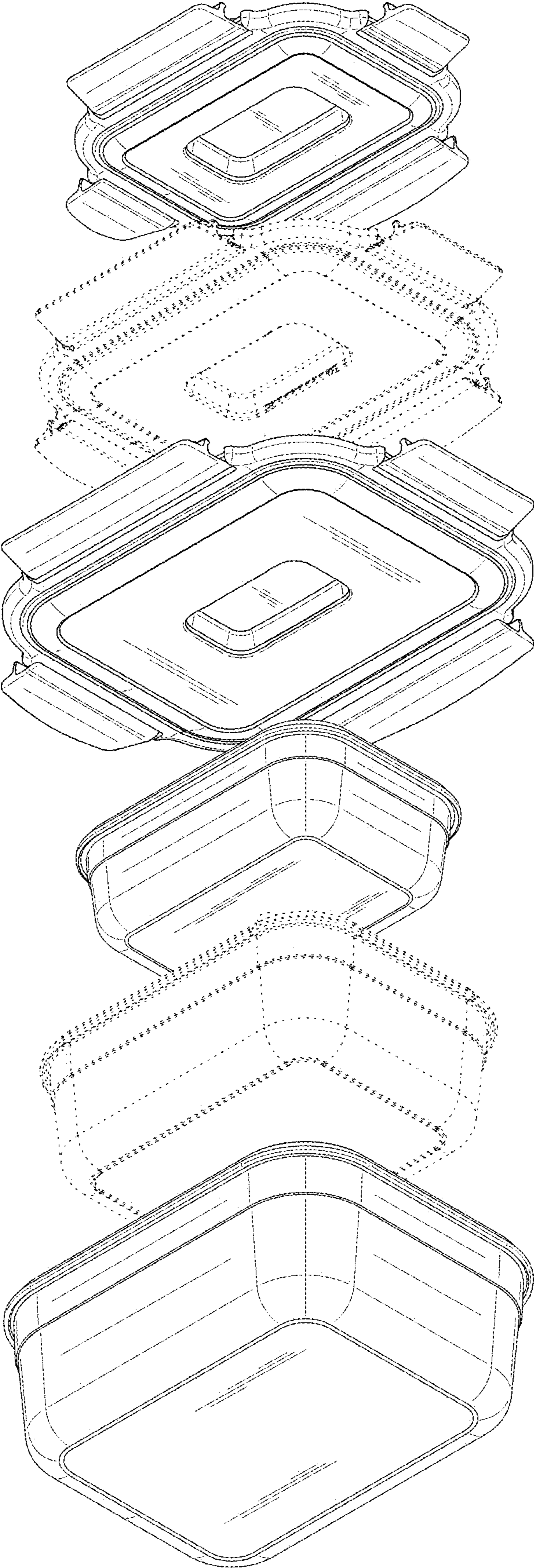


FIG. 11