



US00D904131S

(12) **United States Design Patent** (10) **Patent No.:** **US D904,131 S**
Lane et al. (45) **Date of Patent:** **** Dec. 8, 2020**

(54) **COMBINED STOPPER AND FOOD JAR**

D682,625 S * 5/2013 Lane D7/629
D782,880 S * 4/2017 Matsuo D7/605
D808,731 S * 1/2018 Boroski D7/608
D843,789 S * 3/2019 Boroski D7/608

(71) Applicants: **Marvin Lane**, Wheeling, IL (US);
Dwayne Boroski, Lake in the Hills, IL
(US); **Freddy Aranda**, Chicago, IL
(US); **Jennifer Bae Park**, Chicago, IL
(US)

* cited by examiner

Primary Examiner — Susan E Krakower

Assistant Examiner — Andrew Kerr

(74) *Attorney, Agent, or Firm* — Polsinelli PC

(72) Inventors: **Marvin Lane**, Wheeling, IL (US);
Dwayne Boroski, Lake in the Hills, IL
(US); **Freddy Aranda**, Chicago, IL
(US); **Jennifer Bae Park**, Chicago, IL
(US)

(57) **CLAIM**

(73) Assignee: **Thermos L.L.C.**, Schaumburg, IL (US)

The ornamental design for a combined stopper and food jar,
as shown and described.

(**) Term: **15 Years**

(21) Appl. No.: **29/643,666**

DESCRIPTION

(22) Filed: **Apr. 10, 2018**

(51) **LOC (12) Cl.** **09-07**

(52) **U.S. Cl.**
USPC **D7/629**

(58) **Field of Classification Search**
USPC D7/509–511, 538, 601, 602, 619.1, 629;
D9/516, 523, 434, 447, 549, 455
CPC A47G 19/2266; A47G 19/2272; A47G
19/22; B65D 25/40; B65D 25/42; B65D
41/04; B65D 41/0485

See application file for complete search history.

FIG. 1 is a perspective view of a combined stopper and food jar showing our new design;
FIG. 2 is a front view of the combined stopper and food jar;
FIG. 3 is a right side view of the combined stopper and food jar;
FIG. 4 is a rear view of the combined stopper and food jar;
FIG. 5 is a left side view of the combined stopper and food jar;
FIG. 6 is a top view of the and combined stopper and food jar; and,
FIG. 7 is a bottom view of the combined stopper and food jar.

The broken lines showing in the figures are included for the purpose of illustrating portions of the combined stopper and food jar that form no part of the claimed design.

(56) **References Cited**

U.S. PATENT DOCUMENTS

D557,076 S * 12/2007 Wahl D7/615
D593,811 S * 6/2009 Carreno D7/608

1 Claim, 6 Drawing Sheets



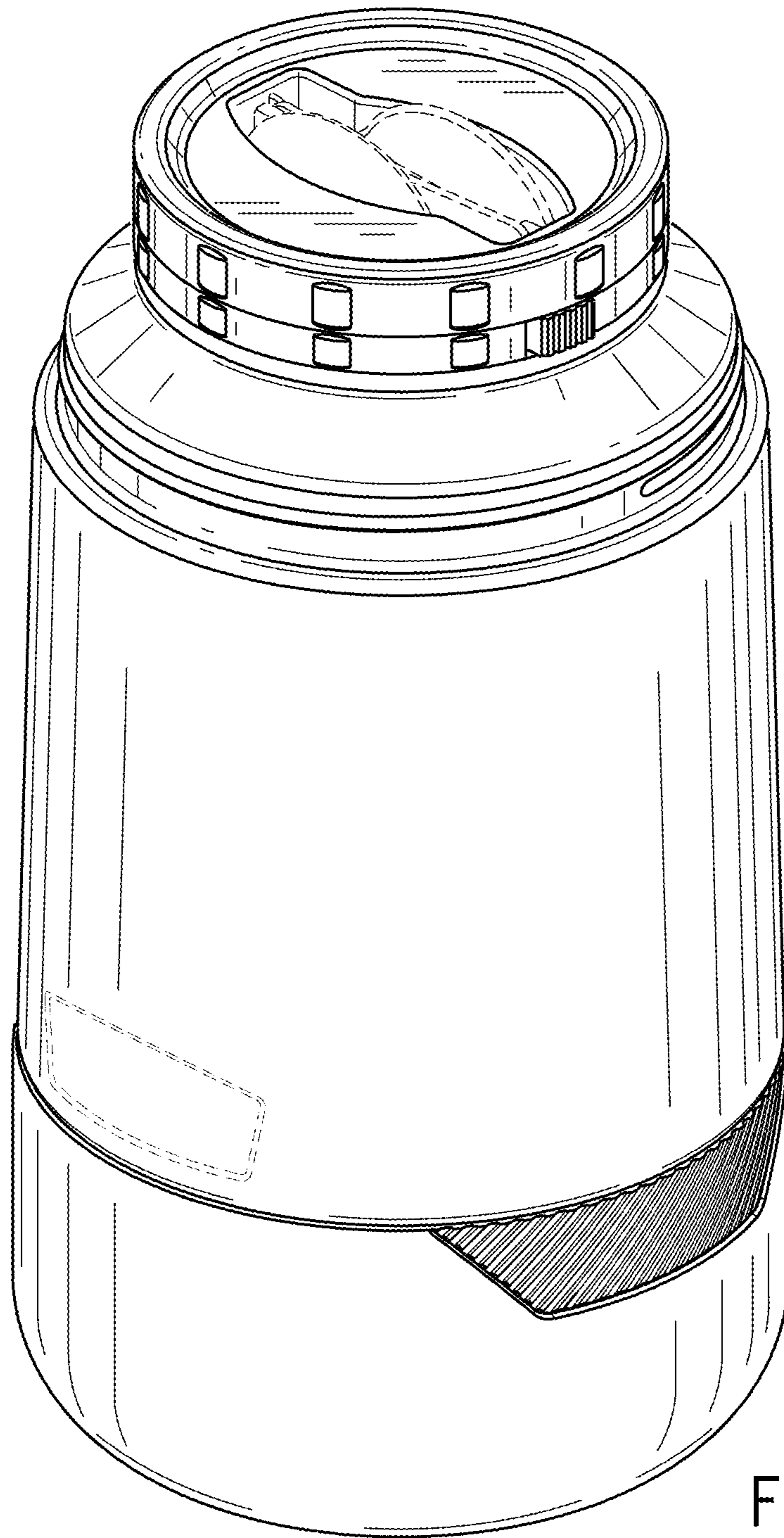


FIG. 1

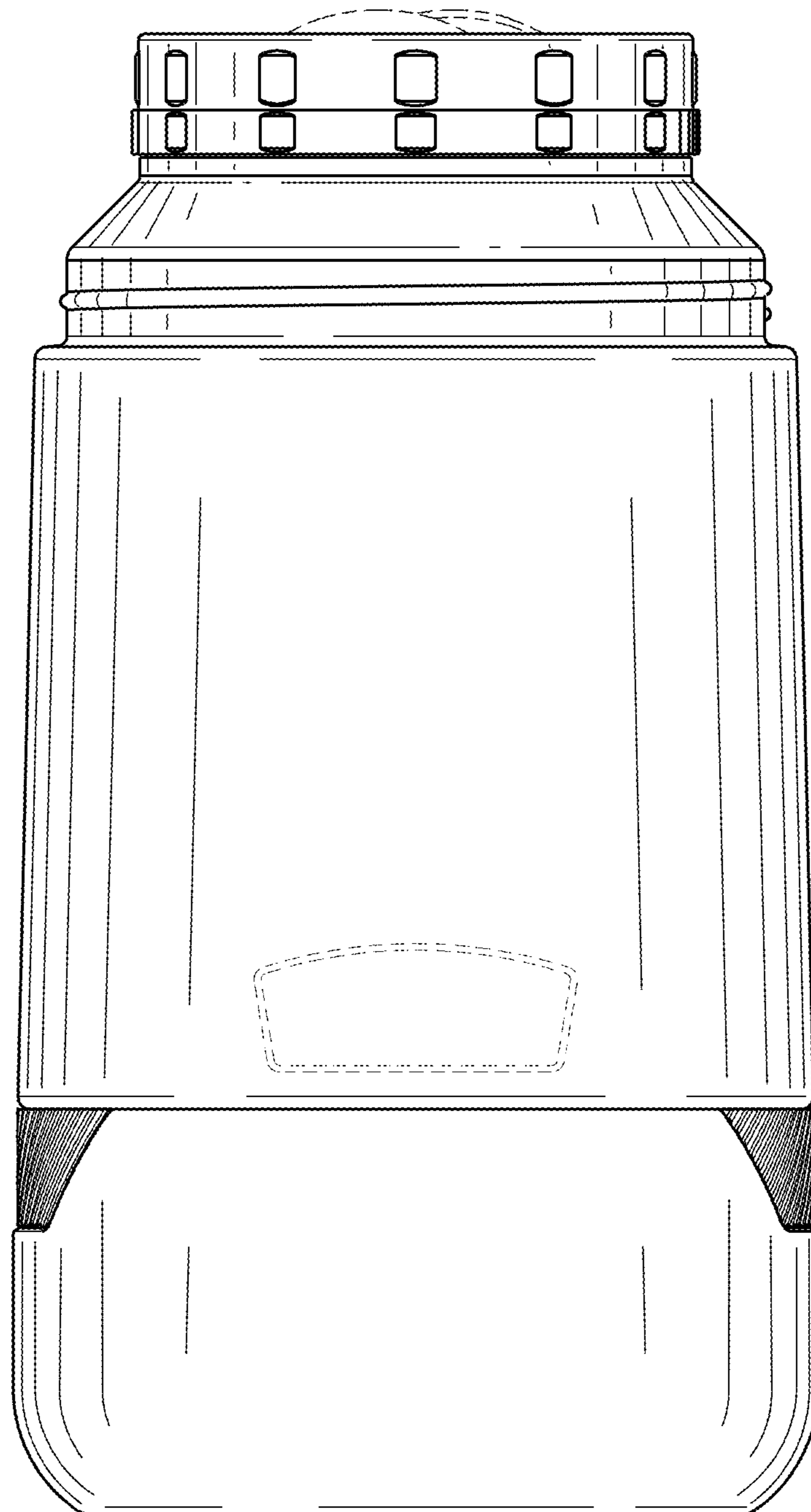


FIG. 2

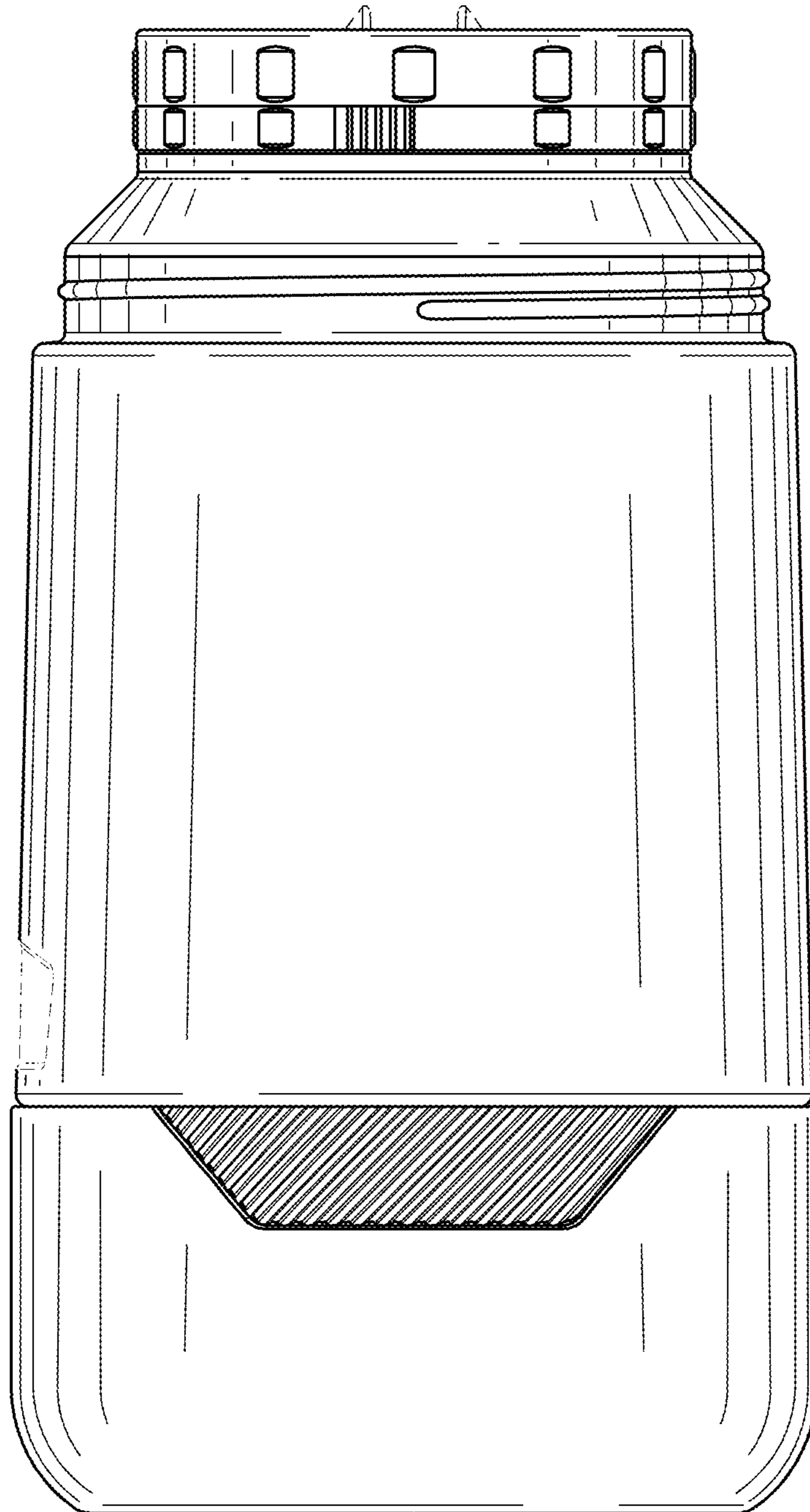


FIG. 3

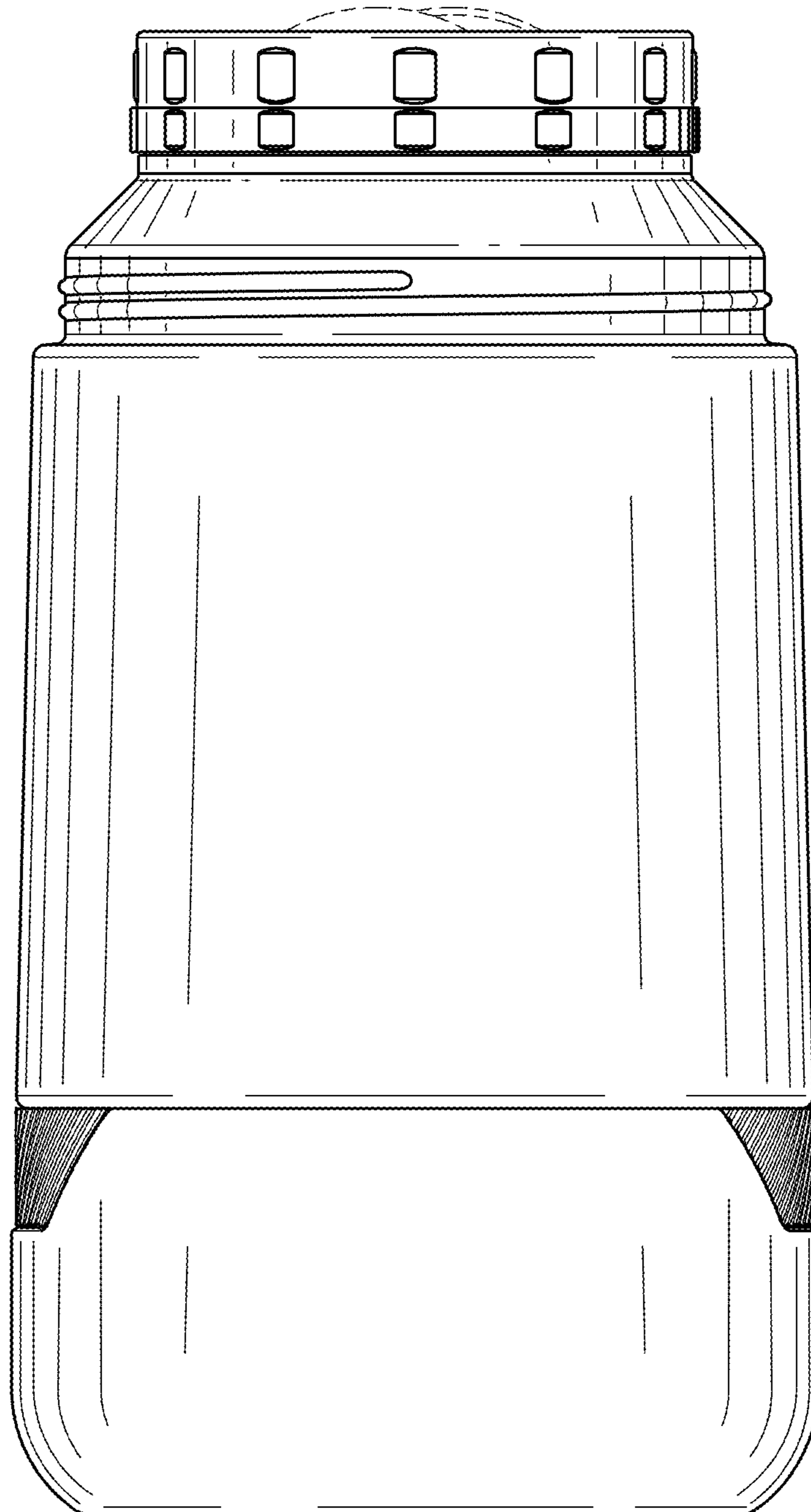


FIG. 4

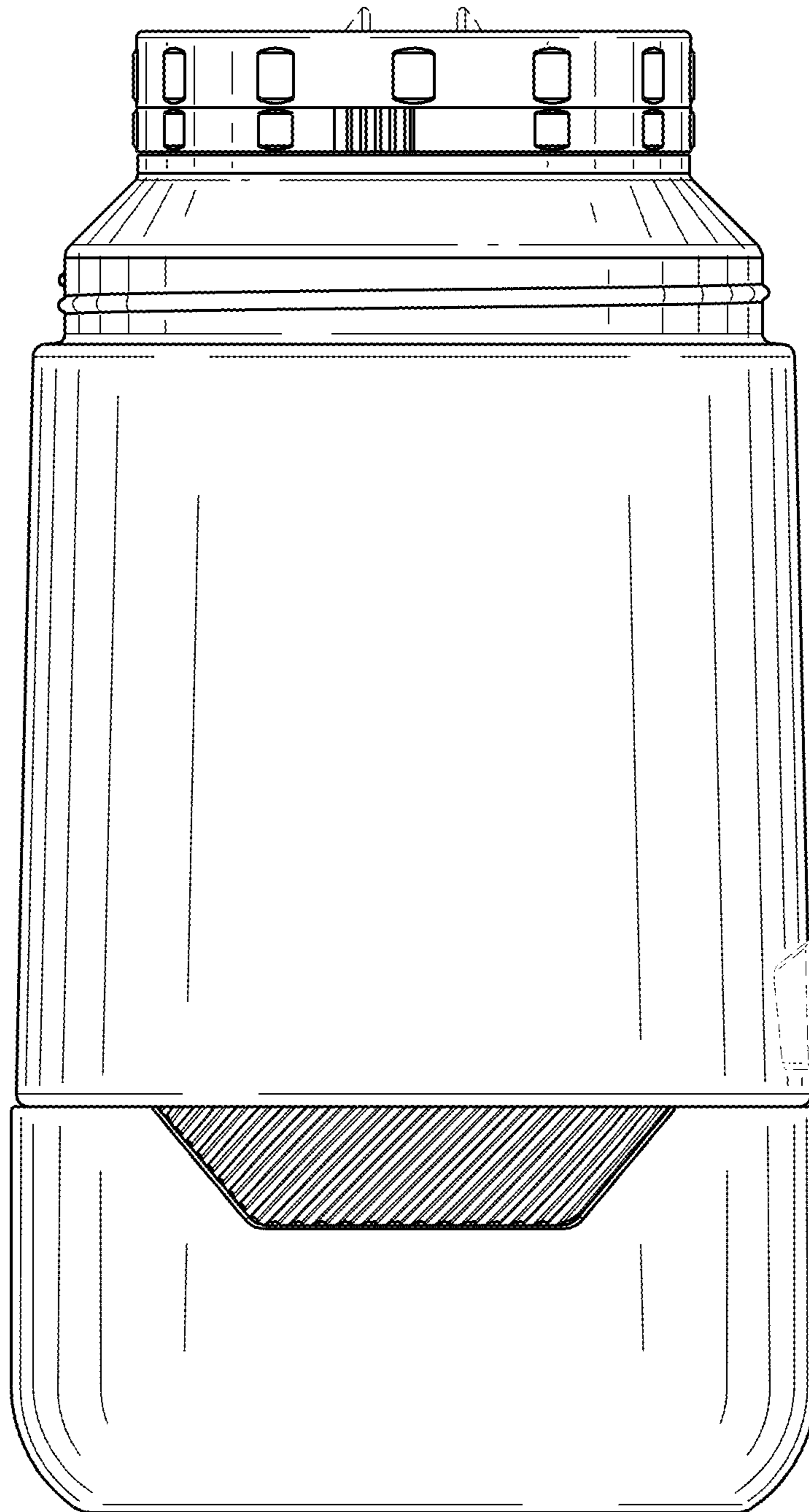


FIG. 5

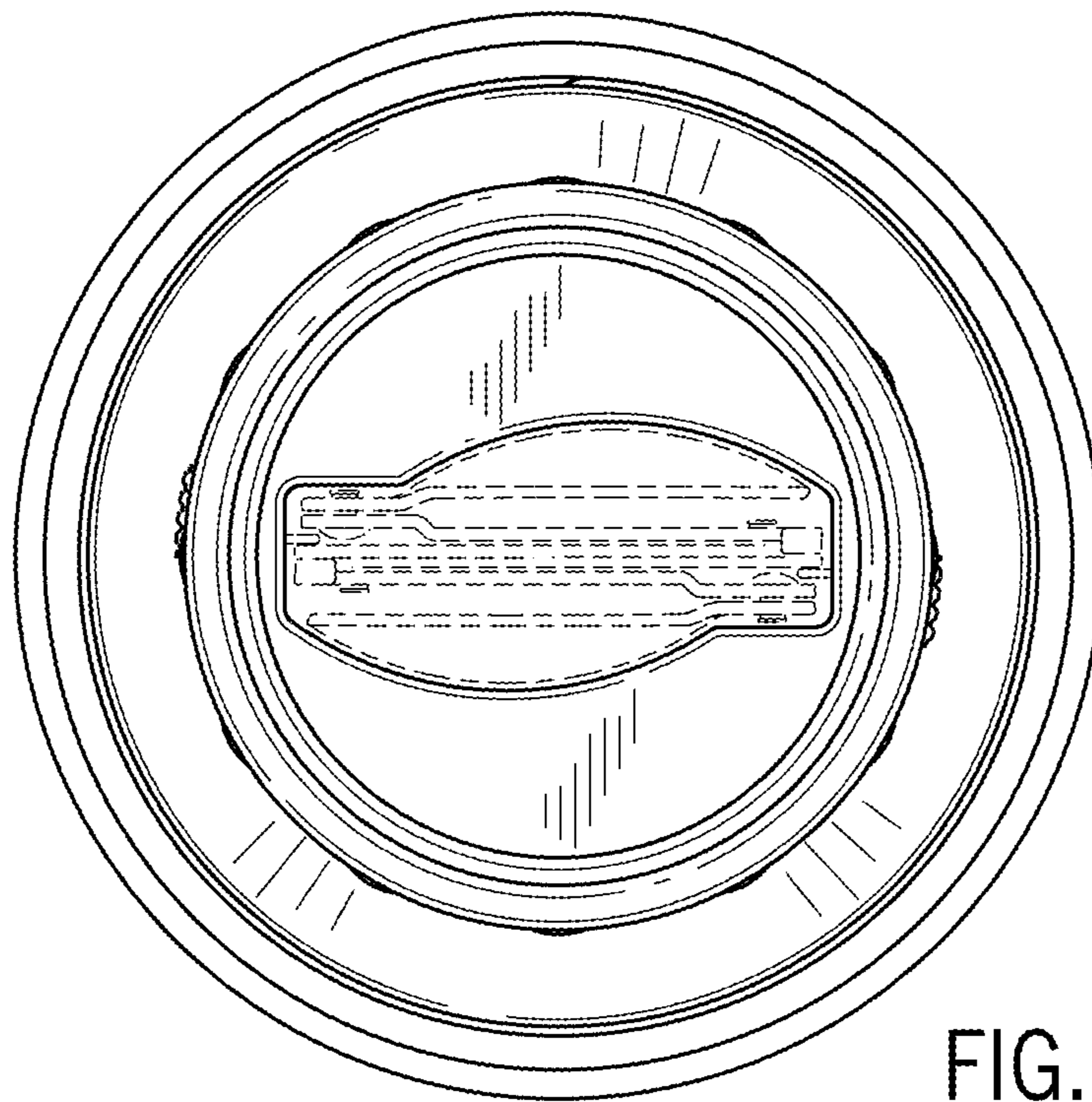


FIG. 6

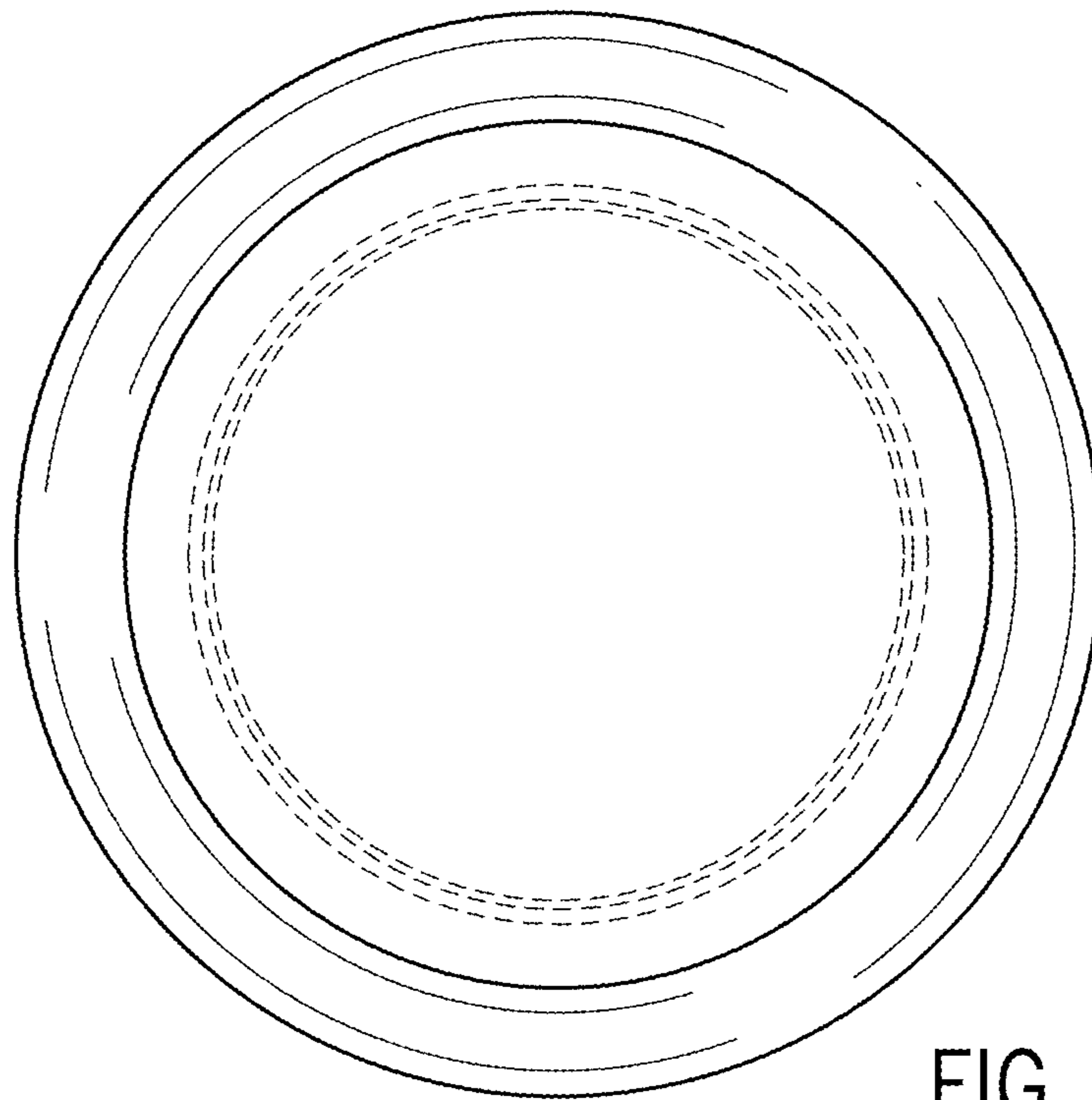


FIG. 7