



US00D904130S

(12) **United States Design Patent** (10) **Patent No.:** **US D904,130 S**
Myers (45) **Date of Patent:** **** Dec. 8, 2020**

(54) **BEVERAGE HOLDER WITH POCKET**

4,974,761 A * 12/1990 Luque A45C 1/04
224/148.5
D335,957 S * 6/1993 Cantrell 224/148.5
5,390,804 A * 2/1995 Beggins B65D 23/0885
215/12.1
5,467,891 A 11/1995 Perry
D373,678 S * 9/1996 Haigis D3/229
5,551,592 A 9/1996 Barton et al.
D397,550 S * 9/1998 Coughlin D3/229
D399,707 S * 10/1998 Villarreal, Jr. D7/607
D432,785 S * 10/2000 Berg D3/229

(71) Applicant: **Rachell Myers**, Mesa, AZ (US)

(72) Inventor: **Rachell Myers**, Mesa, AZ (US)

(**) Term: **15 Years**

(21) Appl. No.: **29/681,184**

(22) Filed: **Feb. 22, 2019**

(51) **LOC (12) Cl.** **07-01**

(52) **U.S. Cl.**
USPC **D7/624.2; D7/607**

(58) **Field of Classification Search**

USPC D7/605-608, 619.1-625, 509-511;
D9/500-505, 434, 444, 455
CPC A47G 23/0216; A47G 23/0258; A47G
19/2205; A47G 19/2288; A47G 19/2272;
F17C 13/001; B65D 81/3886; B65D
81/3823; B65D 81/3818; B65D 81/3846;
B65D 81/3837; B65D 81/3839; B65D
81/3841; B65D 81/3844; B65D 81/3876;
B65D 81/3879; B65D 81/3883; B65D
81/3888; B65D 1/0215; B65D 21/0228;
B65D 21/083; B65D 23/0885; B65D
41/04; B65D 1/06; B65D 1/04; F25D
3/08; F25D 3/14; F25D 2331/804; A47J
42/02; A47J 41/0077; A47J 41/02; A47J
41/022; A47J 41/024; A47J 41/026; A47J
41/028; A47J 41/00; A47J 43/27; A45C
11/20; B44C 1/18; A45F 3/16

See application file for complete search history.

(56) **References Cited**

U.S. PATENT DOCUMENTS

4,344,303 A * 8/1982 Kelly, Jr. B65D 81/3883
62/530
4,534,391 A 8/1985 Ventimiglia et al.
4,549,410 A 10/1985 Russell
4,648,525 A 3/1987 Henderson

Primary Examiner — Terry A Wallace

(74) *Attorney, Agent, or Firm* — Boudwin Intellectual
Property; Daniel Boudwin

(57) **CLAIM**

The ornamental design for a beverage holder with pocket, as shown and described.

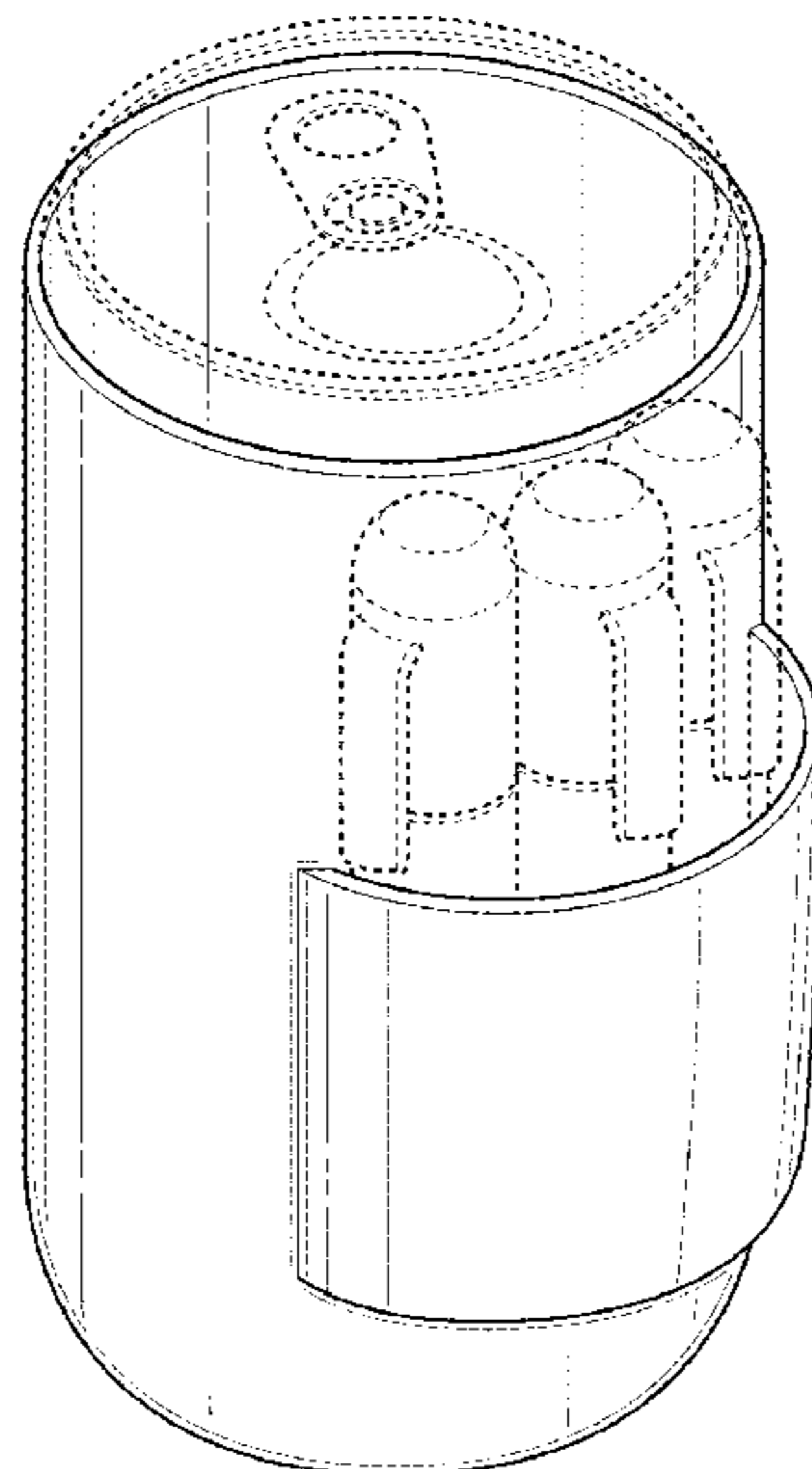
DESCRIPTION

FIG. 1 shows a perspective view of a beverage holder with pocket;
FIG. 2 shows a front view of the beverage holder with pocket;
FIG. 3 shows a rear view of the beverage holder with pocket;
FIG. 4 shows a right side view of the beverage holder with pocket;
FIG. 5 shows a left side view of the beverage holder with pocket;
FIG. 6 shows a top plan view of the beverage holder with pocket; and,
FIG. 7 shows a bottom plan view of the beverage holder with pocket.

The shade lines in the Figures show contour and not surface ornamentation.

The broken lines shown in the Figures show portions of the beverage holder with pocket device which form no part of the claimed design.

1 Claim, 4 Drawing Sheets



(56)

References Cited

U.S. PATENT DOCUMENTS

6,401,993	B1 *	6/2002	Andrino	A45F 5/00 224/148.5
D474,887	S *	5/2003	Forster	D3/229
D544,312	S *	6/2007	Dill-Schmidt	D7/624.3
D704,006	S *	5/2014	Gonzales	D7/607
8,757,427	B2 *	6/2014	Hiner	B65D 23/104 215/12.1
2007/0221693	A1	9/2007	Moore	

* cited by examiner

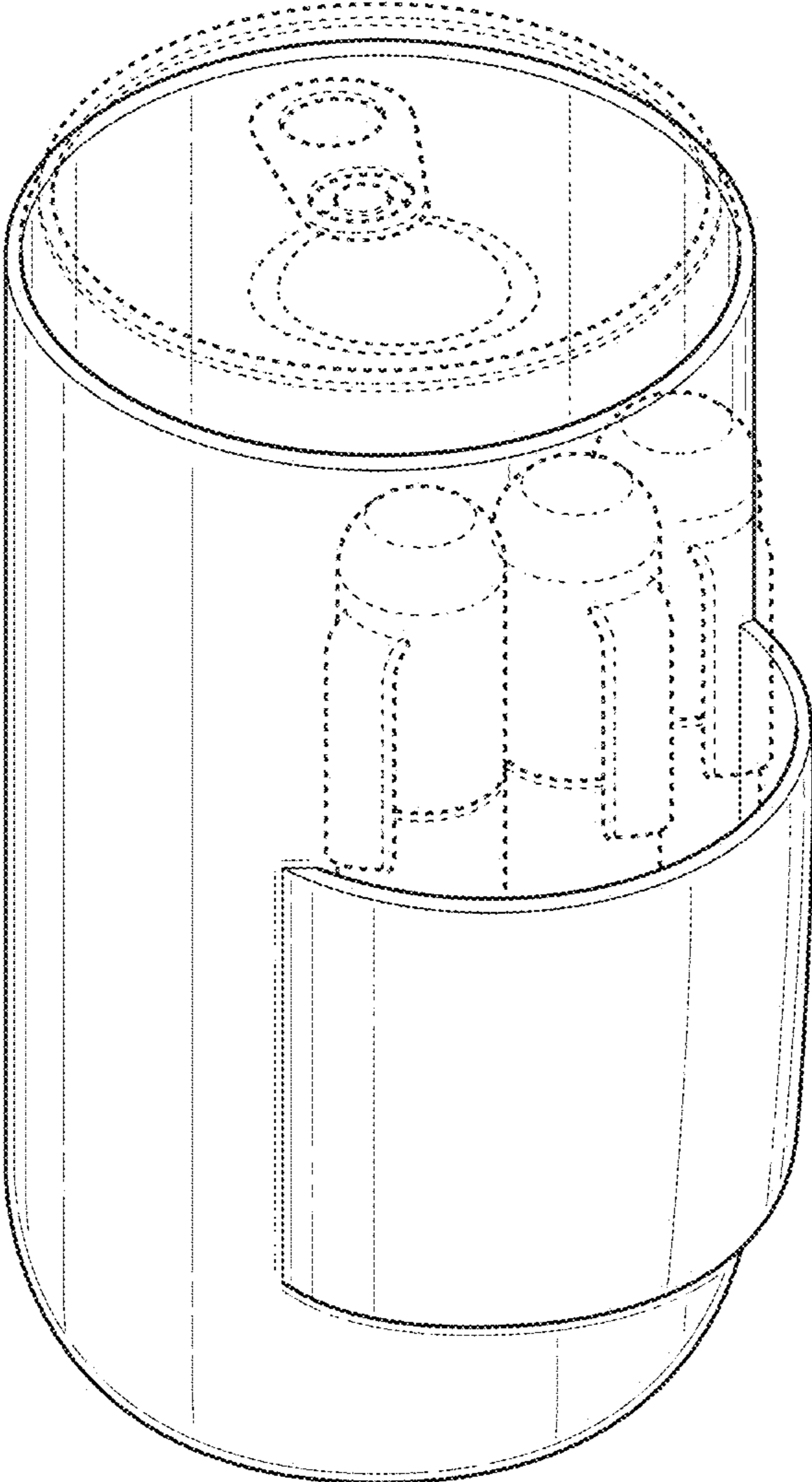


FIG. 1

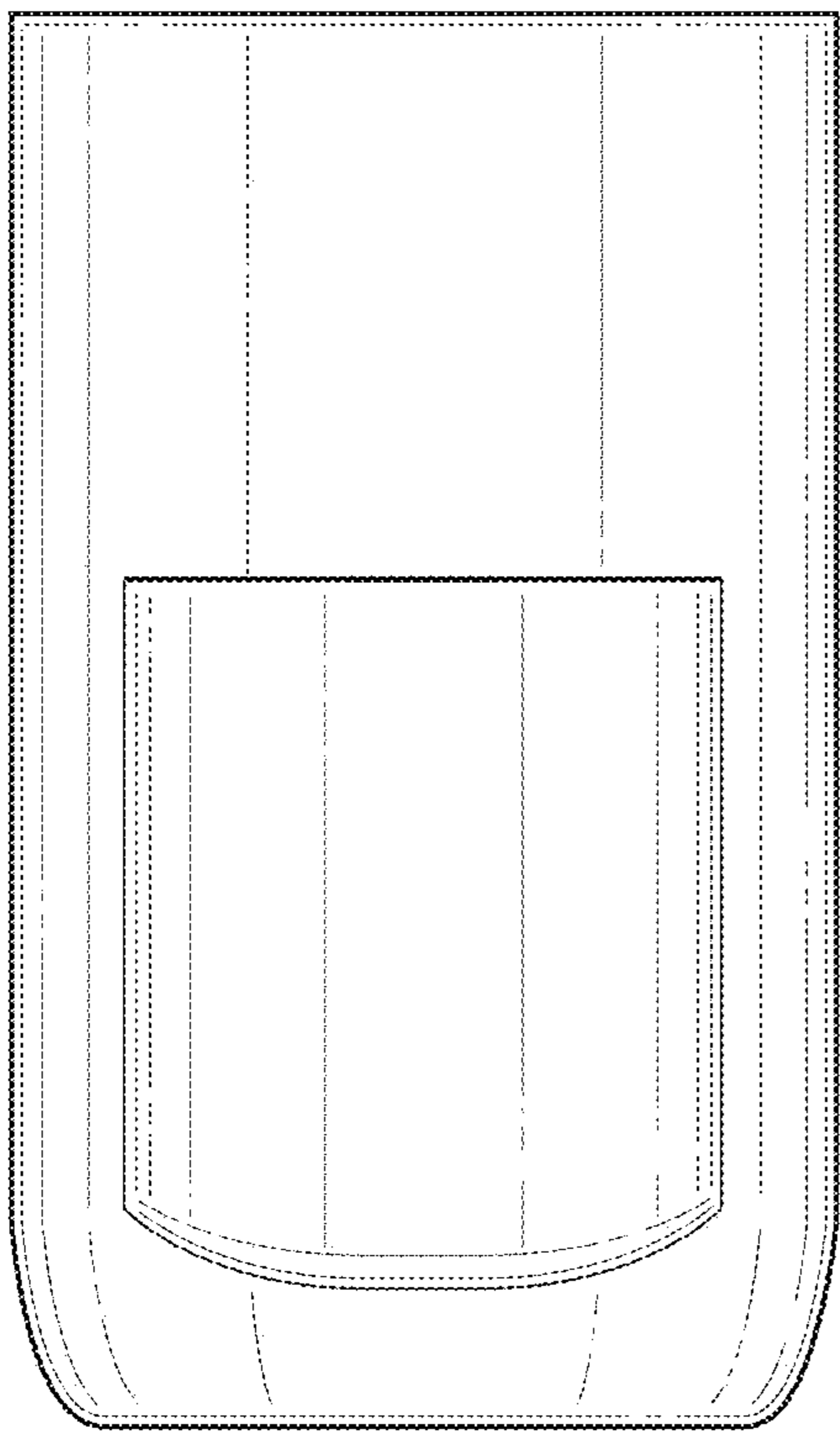


FIG. 2

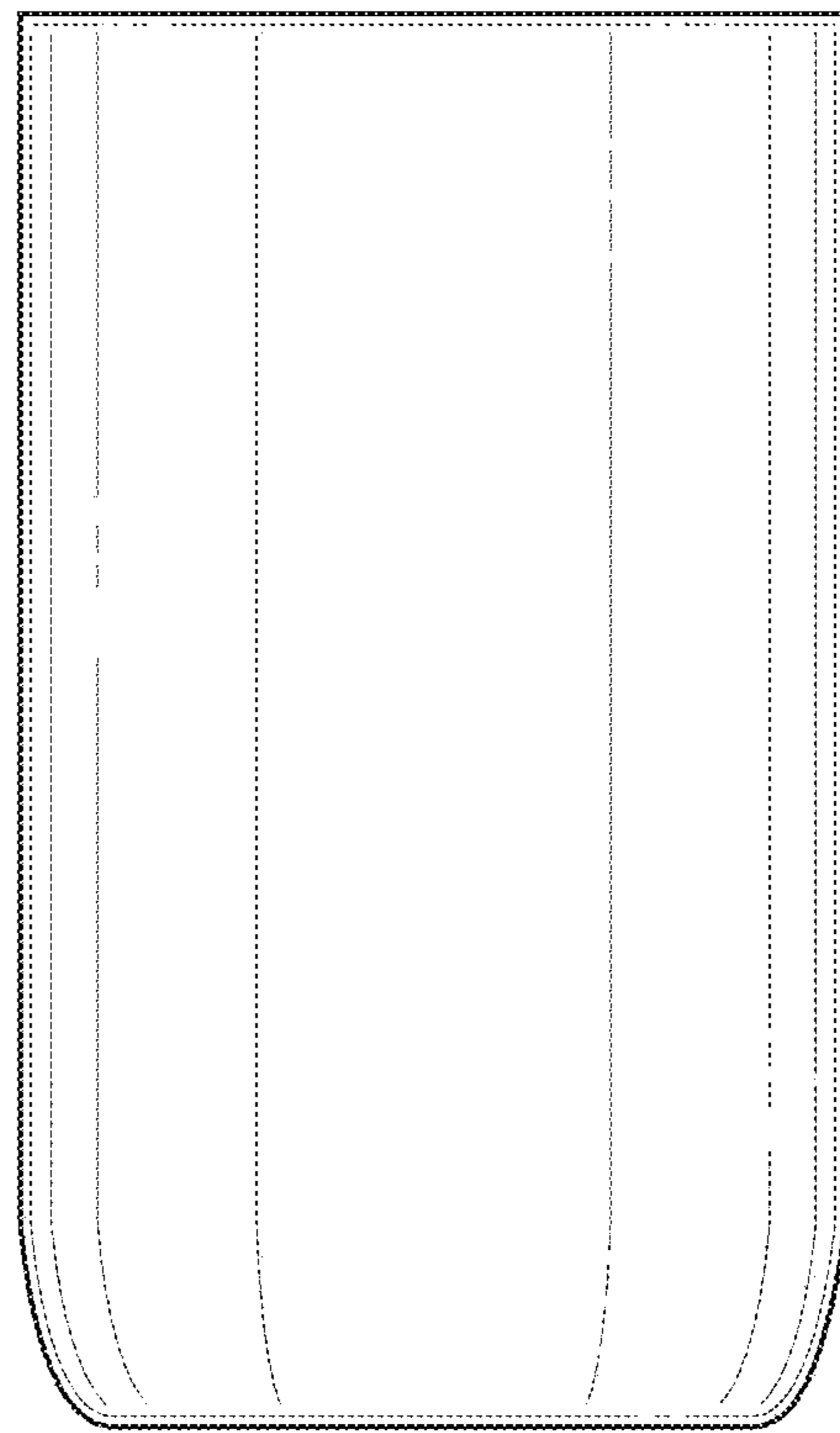


FIG. 3

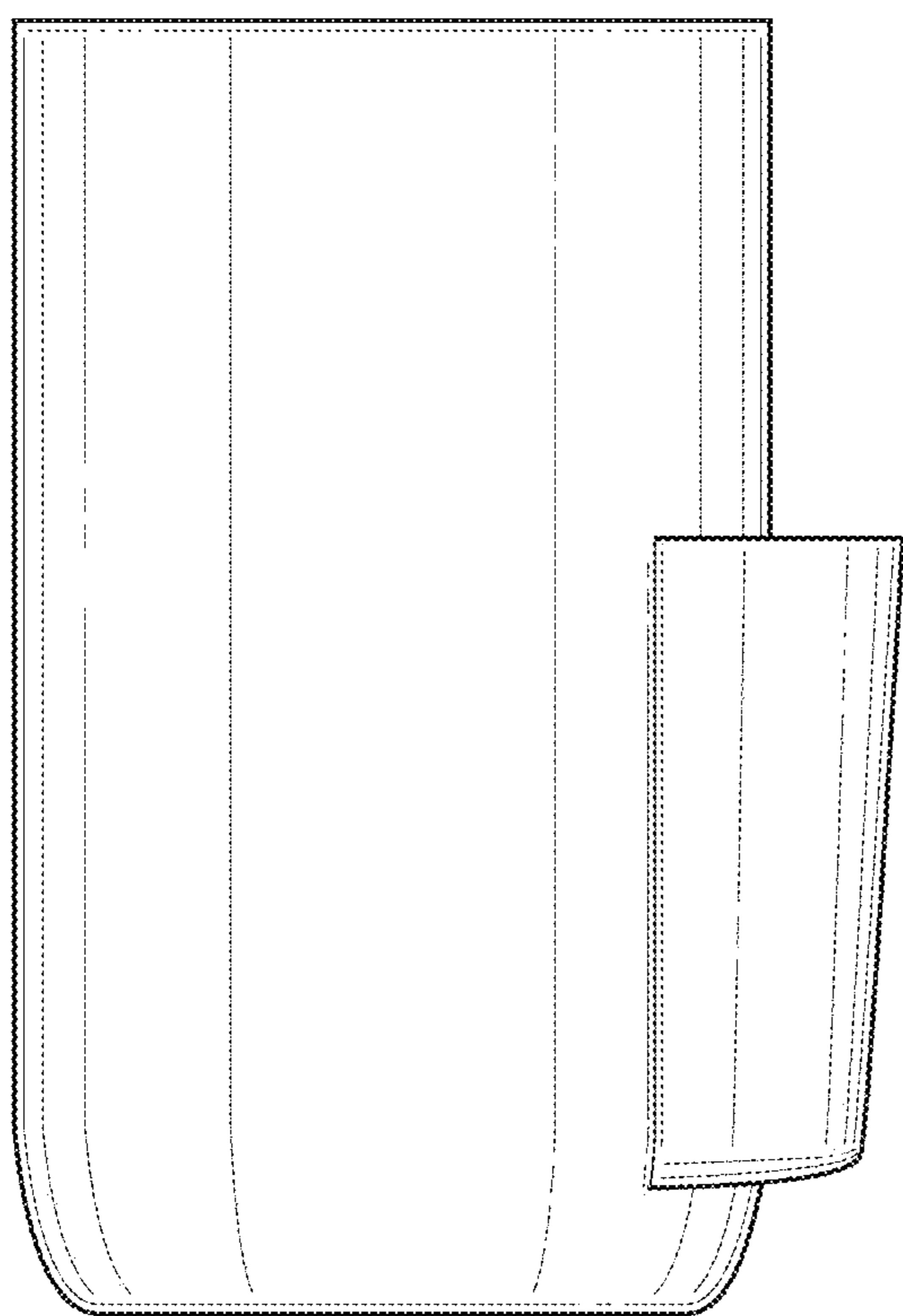


FIG. 4

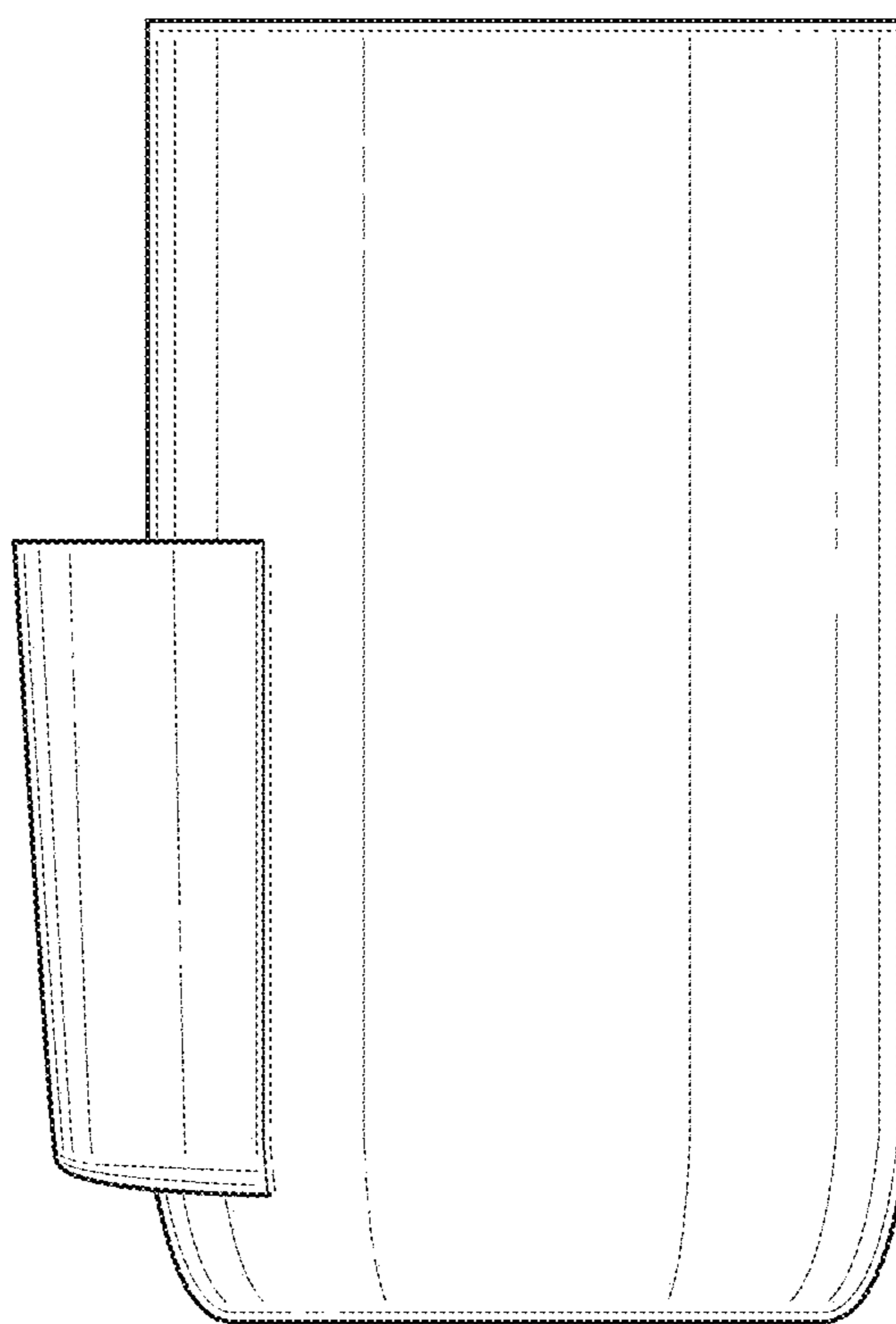


FIG. 5

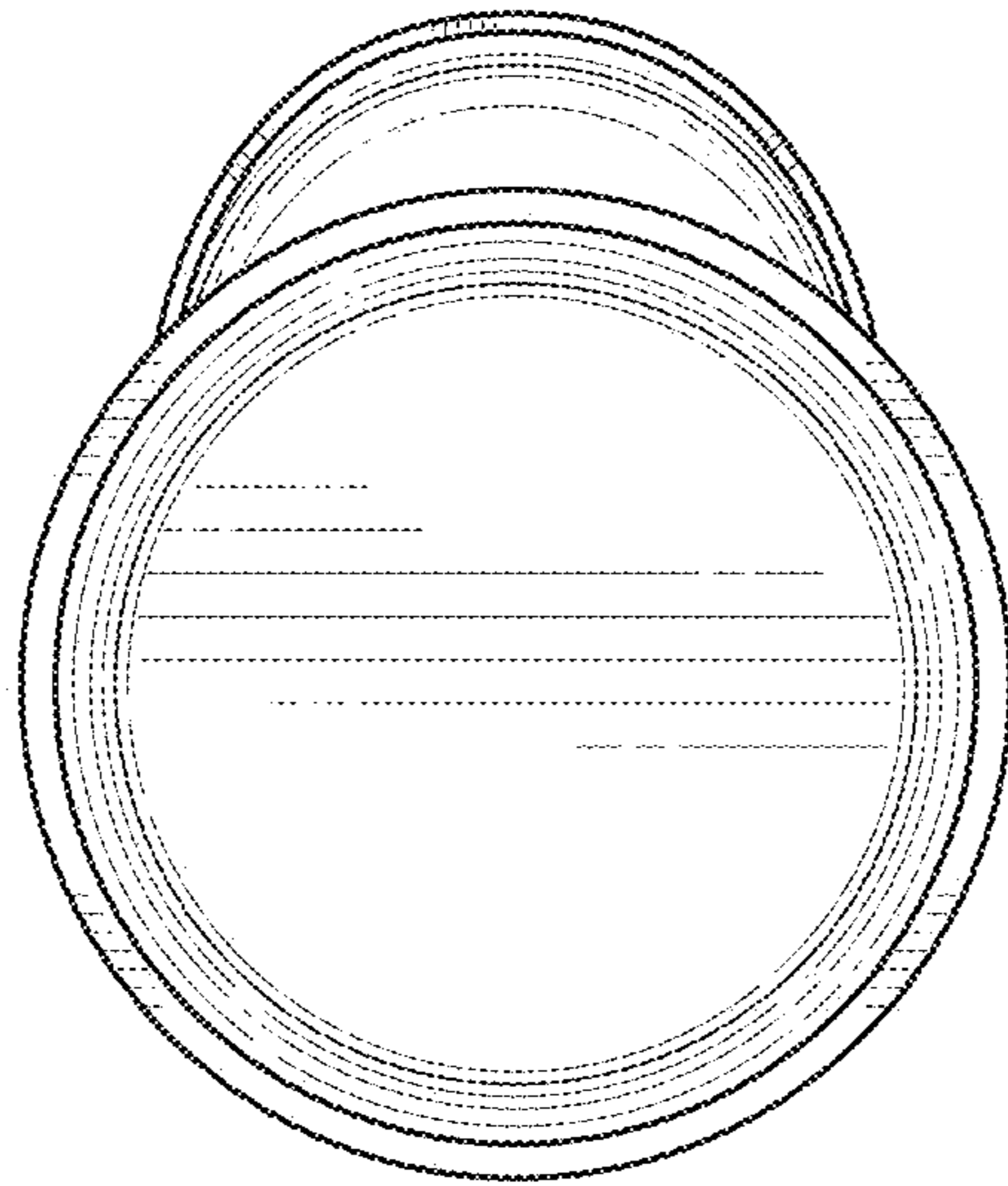


FIG. 6

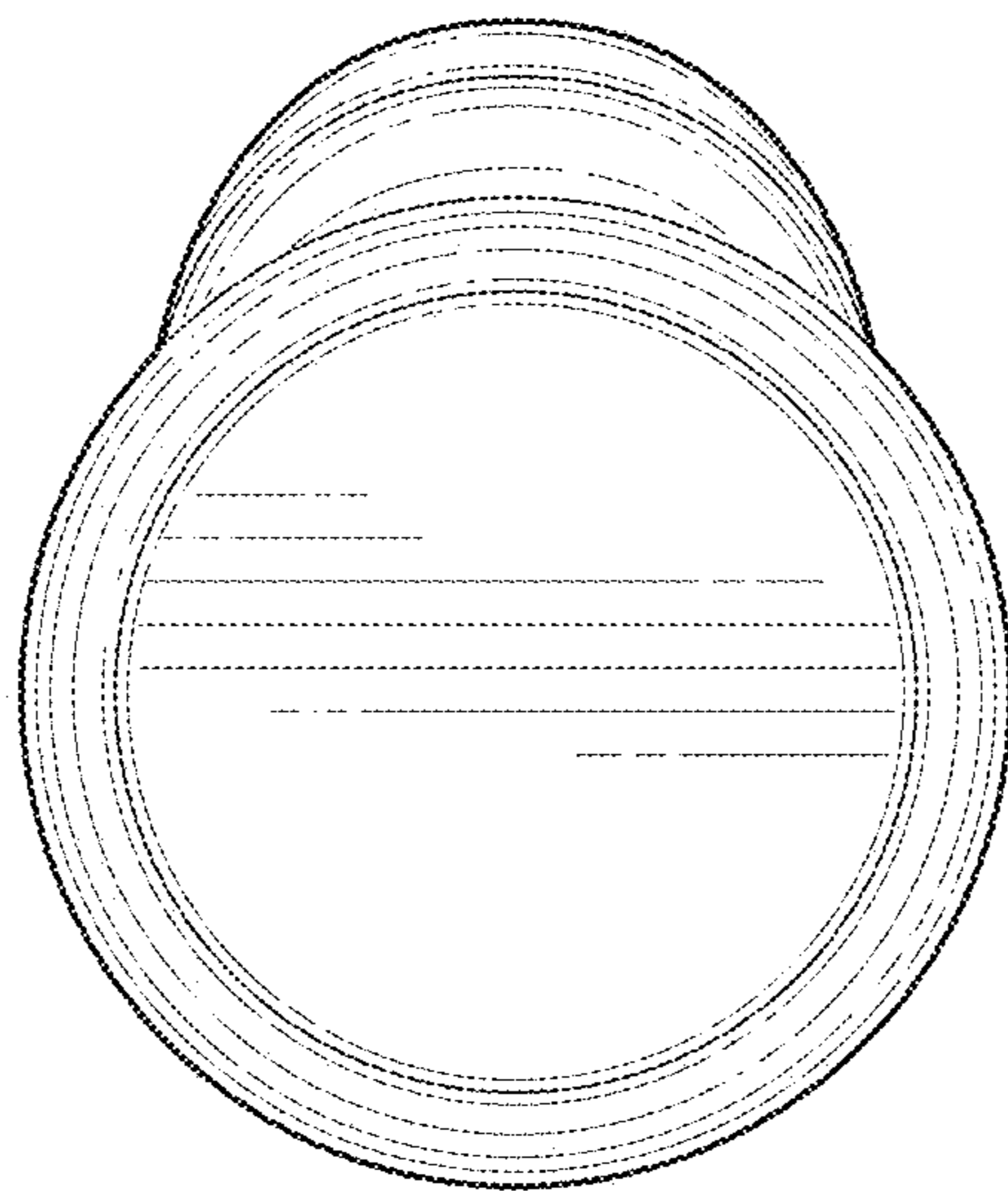


FIG. 7