



US00D904129S

(12) **United States Design Patent** (10) **Patent No.:** **US D904,129 S**
Astle (45) **Date of Patent:** **** Dec. 8, 2020**

(54) **COOLER** 7,337,711 B2 * 3/2008 Holcomb A47J 19/023
99/508
(71) Applicant: **LIFETIME PRODUCTS, INC.,** D566,479 S * 4/2008 Kabalin D3/273
Clearfield, UT (US) 8,061,547 B2 * 11/2011 Camp, Jr. A45C 11/20
220/507
(72) Inventor: **Robert A. Astle,** Kaysville, UT (US) D652,262 S 1/2012 Yang
8,356,712 B2 1/2013 Piazza, Jr.
D712,720 S 9/2014 Seiders
(73) Assignee: **Lifetime Products, Inc.,** Clearfield, UT D712,721 S 9/2014 Seiders
(US) D712,722 S 9/2014 Seiders
D712,723 S 9/2014 Seiders
D714,125 S 9/2014 Seiders
(**) Term: **15 Years** 8,887,515 B2 * 11/2014 Patstone B23P 15/26
62/56
(21) Appl. No.: **29/677,025** 8,910,819 B2 12/2014 Seiders
D722,474 S 2/2015 Seiders
(22) Filed: **Jan. 16, 2019** (Continued)

(51) **LOC (12) Cl.** **07-01**
(52) **U.S. Cl.**
USPC **D7/605**
(58) **Field of Classification Search**
USPC D7/603-608, 629, 630; D3/272-274
CPC .. A45C 11/20; A45C 9/00; A45C 5/14; A45C
5/03; F25D 3/14; F25D 3/08; F25D 3/12;
F25D 2400/08; F25D 31/005; B65D
81/3813; B65D 81/3823; B65D 81/3888;
B65D 81/3889; B65D 81/3816; B65D
81/3858; F24D 2331/804; A47J 41/022;
A47G 19/2288; F25B 19/00
See application file for complete search history.

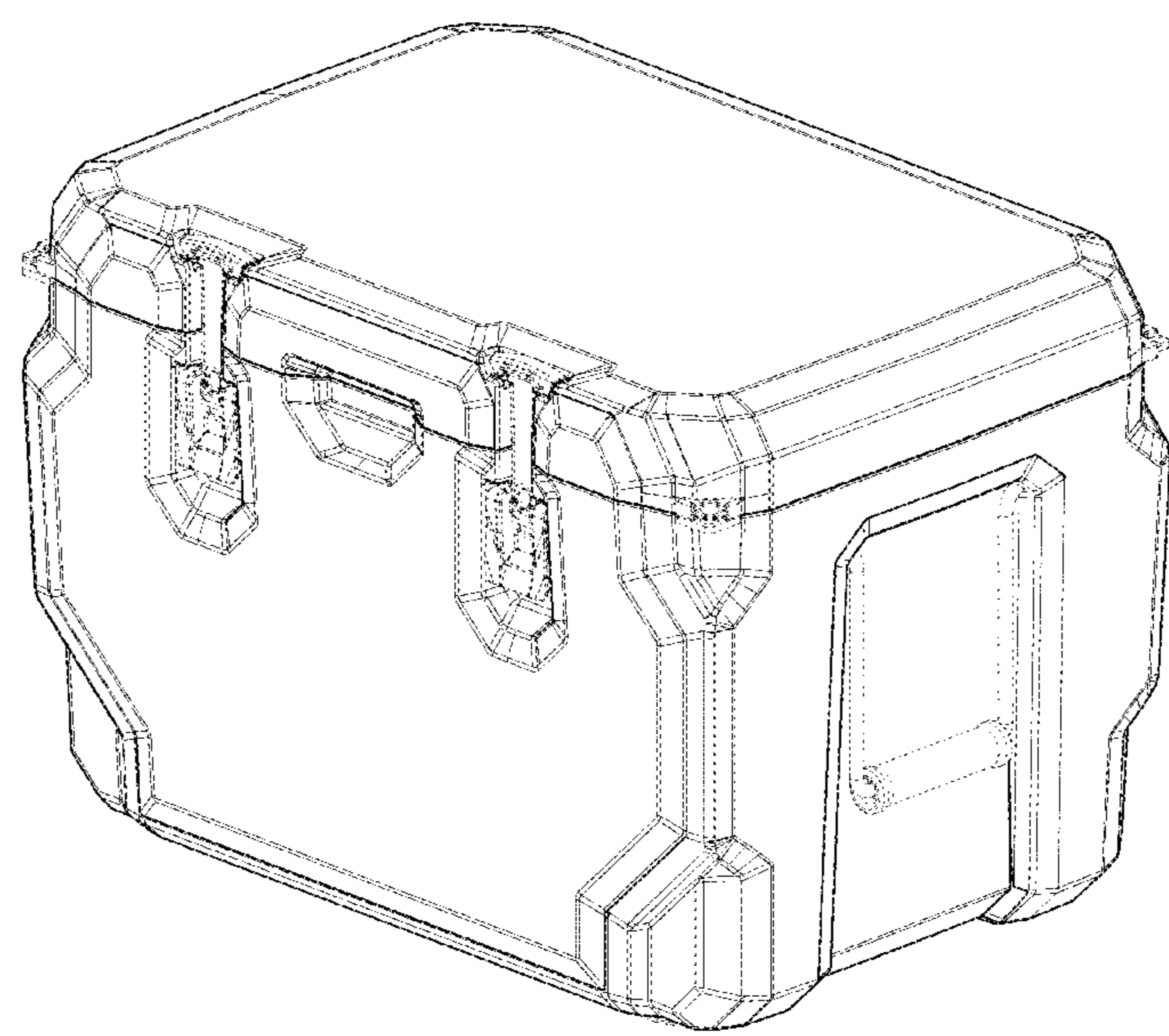
(56) **References Cited**
U.S. PATENT DOCUMENTS
D281,695 S * 12/1985 Ryan, Jr. D7/605
4,592,482 A * 6/1986 Seager A45C 11/20
220/318
D325,323 S * 4/1992 Kahl D7/605
D354,419 S * 1/1995 Kahl D7/605
D374,772 S * 10/1996 Hotaling D3/273
D429,606 S 8/2000 Israel
D429,966 S * 8/2000 Israel D7/605
D451,765 S * 12/2001 Israel D7/605
D545,633 S 7/2007 Hussaini

OTHER PUBLICATIONS
U.S. Appl. No. 29/602,023, filed Apr. 24, 2017, Stanford, et al.
(Continued)
Primary Examiner — Terry A Wallace
(74) *Attorney, Agent, or Firm* — Maschoff Brennan

(57) **CLAIM**
The ornamental design for a cooler, as shown and described.

DESCRIPTION
FIG. 1 is an upper perspective view of a cooler;
FIG. 2 is a lower perspective view thereof;
FIG. 3 is front view thereof;
FIG. 4 is a rear view thereof;
FIG. 5 is a left side view thereof;
FIG. 6 is a right side view thereof;
FIG. 7 is a top view of thereof; and,
FIG. 8 is a bottom view thereof
The broken lines shown in the figures are for illustrative purposes only and form no part of the claimed design.

1 Claim, 8 Drawing Sheets



(56)

References Cited

U.S. PATENT DOCUMENTS

D722,475 S 2/2015 Seiders
9,187,232 B2 11/2015 Seiders
9,694,521 B2 7/2017 French et al.
D806,483 S 1/2018 Stanford et al.
D816,425 S 5/2018 Stanford et al.
D851,462 S 6/2019 Stanford
D891,193 S 7/2020 Stanford
D891,194 S 7/2020 Stanford
D892,565 S 8/2020 Astle
2010/0078441 A1* 4/2010 Barnett A45C 13/36
220/592.2
2012/0132657 A1* 5/2012 Seiders B65D 81/3816
220/592.2
2013/0062356 A1* 3/2013 Deka F25D 3/08
220/592.25
2014/0013789 A1* 1/2014 Conrad A45C 15/00
62/331
2015/0060470 A1 3/2015 Seiders
2015/0225164 A1 8/2015 Seiders et al.
2015/0322698 A1 11/2015 Seiders

2015/0353263 A1 12/2015 Seiders et al.
2016/0236849 A1 8/2016 Seiders et al.
2016/0257479 A1 9/2016 Seiders et al.

OTHER PUBLICATIONS

U.S. Appl. No. 29/585,896, filed Nov. 29, 2016, Stanford, et al.
Notice of Allowance from U.S. Appl. No. 29/585,896 dated Oct. 18, 2017.
Notice of Allowance from U.S. Appl. No. 29/602,023, dated Mar. 29, 2018.
U.S. Appl. No. 15/885,657, filed Jan. 31, 2018, Stanford et al.
U.S. Appl. No. 29/644,909, filed Apr. 20, 2018, Stanford et al.
U.S. Appl. No. 29/644,911, filed Apr. 20, 2018, Stanford et al.
U.S. Appl. No. 29/644,448, filed Apr. 17, 2018, Stanford et al.
U.S. Appl. No. 29/677,028, filed Jan. 16, 2019, Astle et al.
U.S. Appl. No. 29/688,014, filed Apr. 17, 2019, Astle et al.
U.S. Appl. No. 29/713,735, filed Nov. 18, 2019, Astle et al.
U.S. Appl. No. 29/744,331, filed Jul. 28, 2020.
U.S. Appl. No. 29/744,333, filed Jul. 28, 2020.
U.S. Appl. No. 29/730,693, filed Apr. 7, 2020.

* cited by examiner

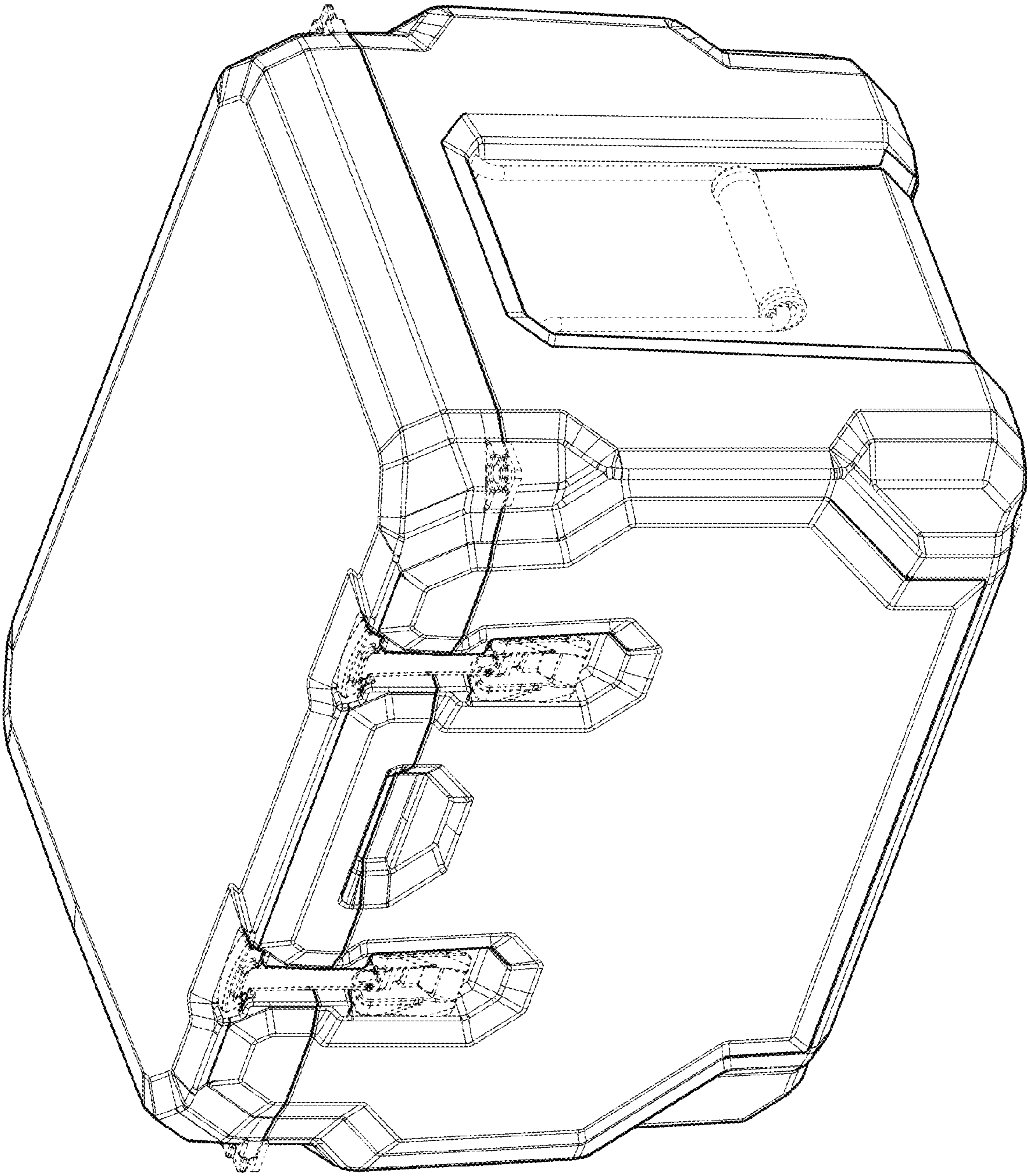


FIG. 1

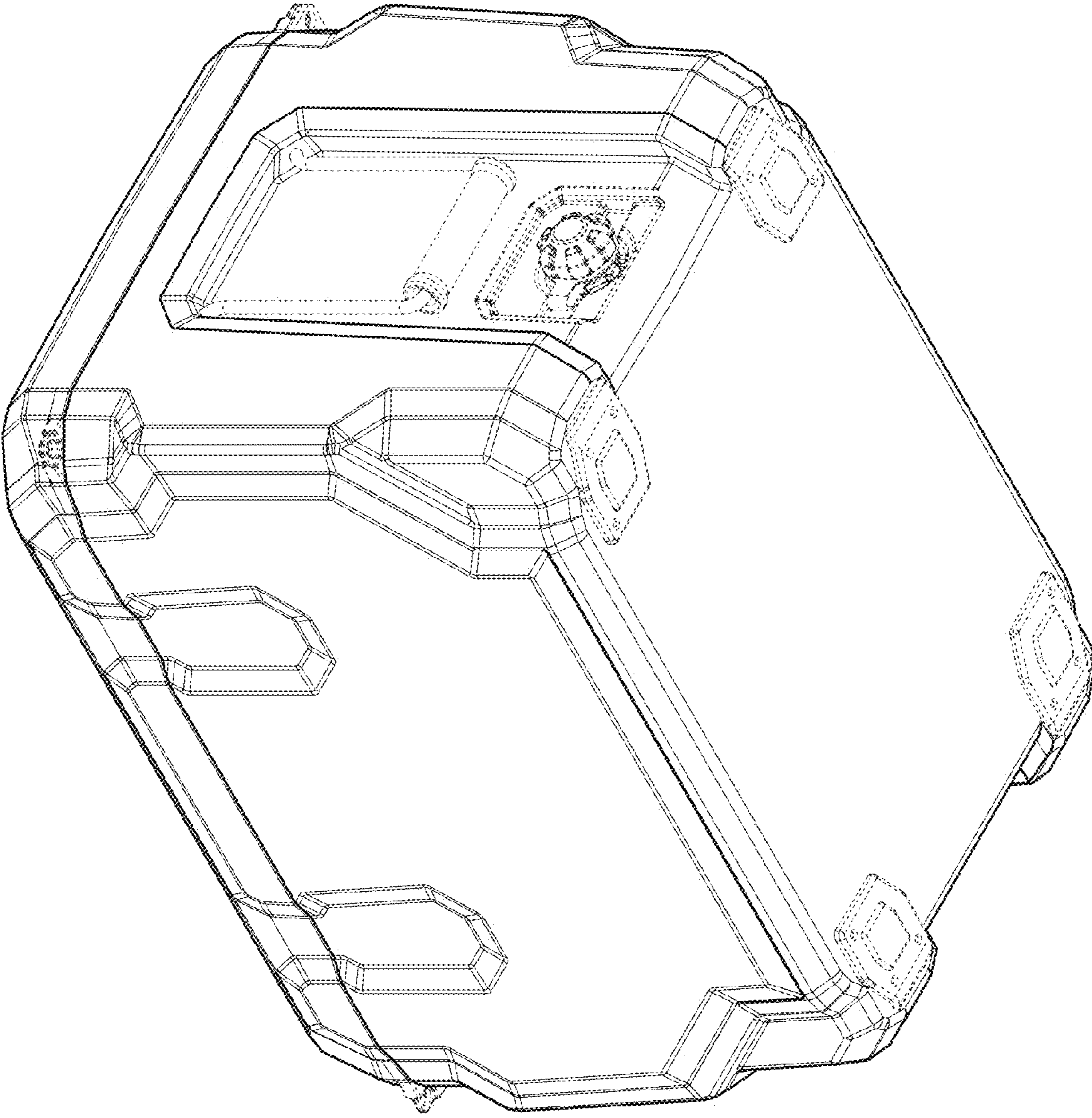


FIG. 2

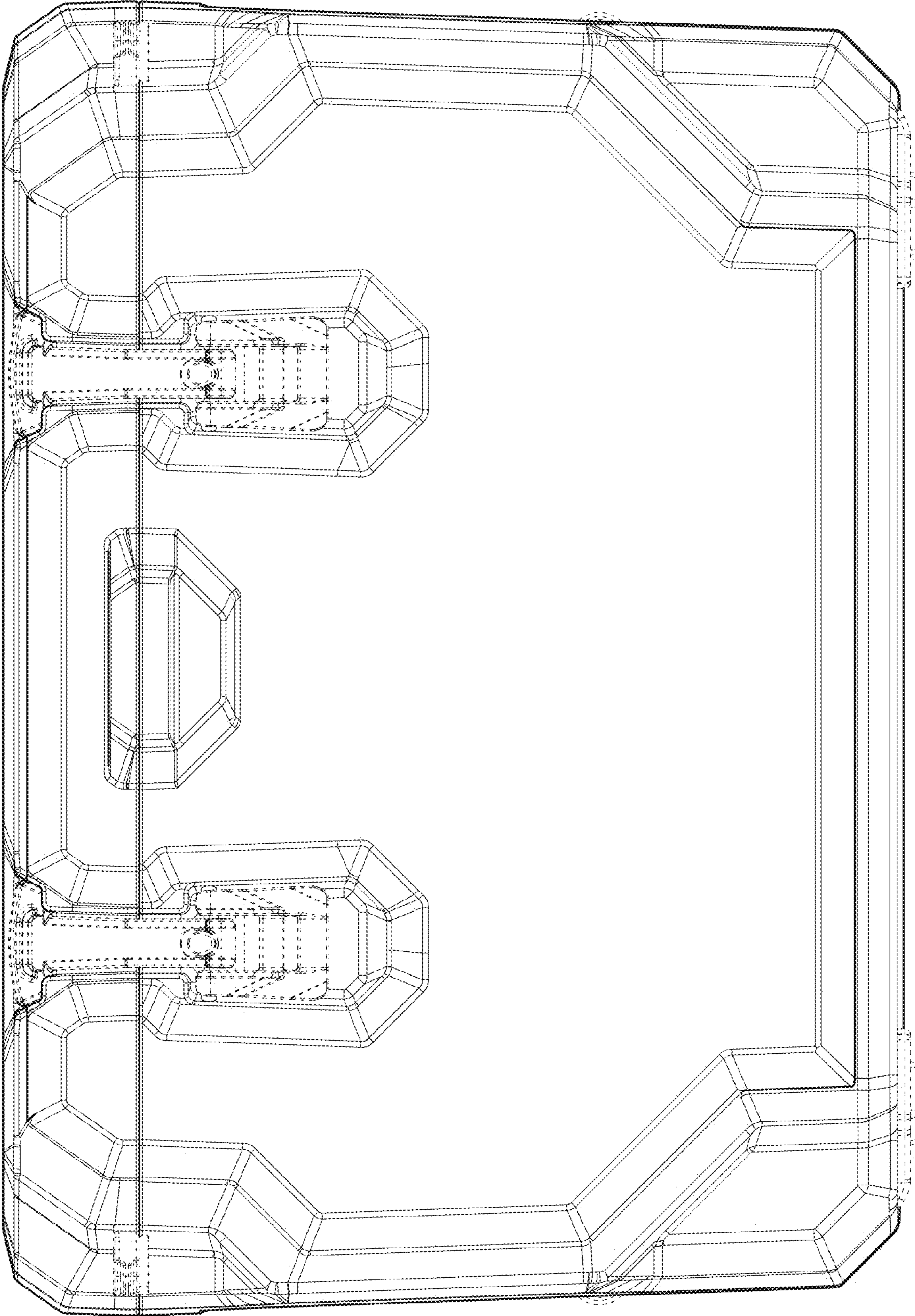


FIG. 3

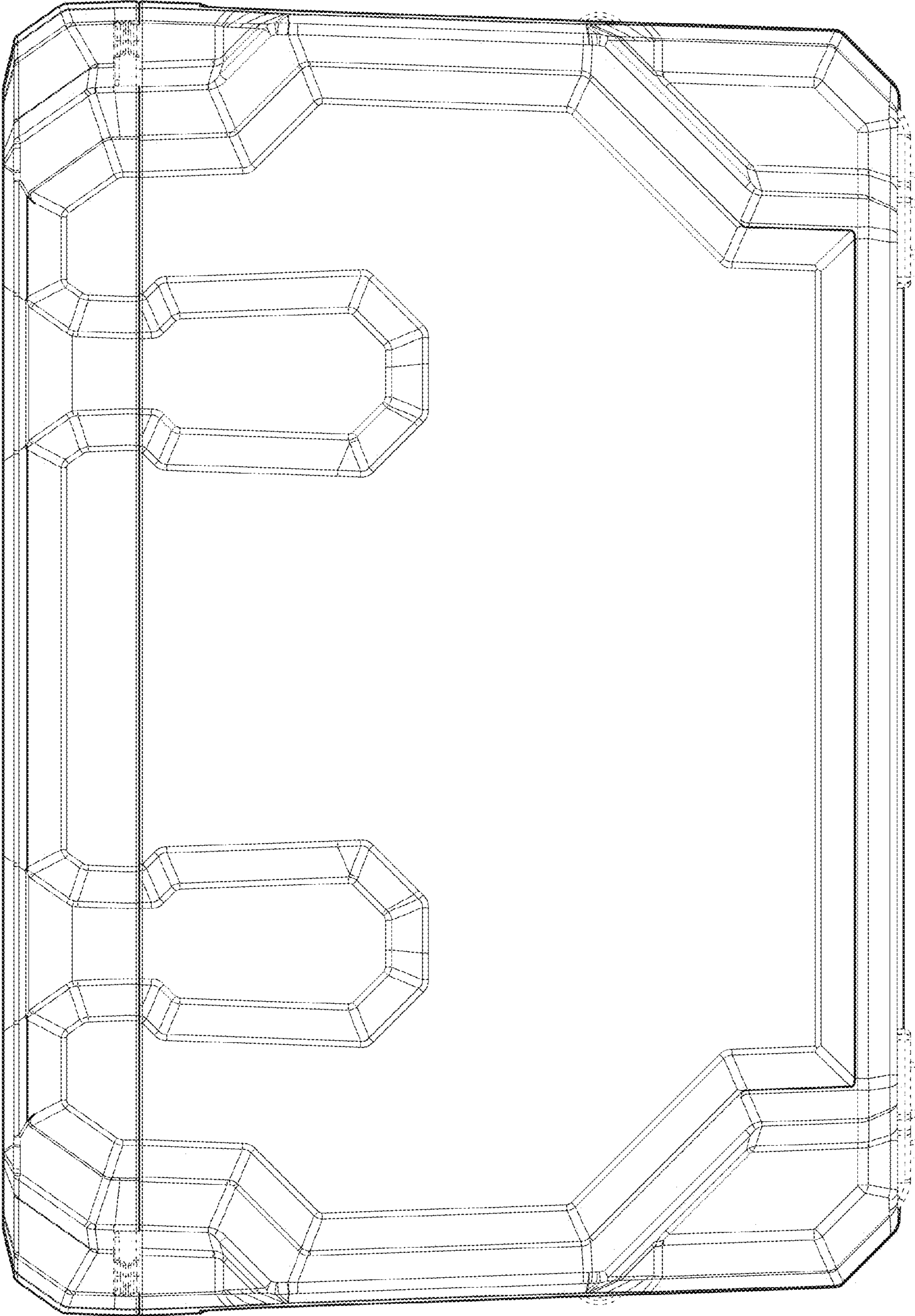


FIG. 4

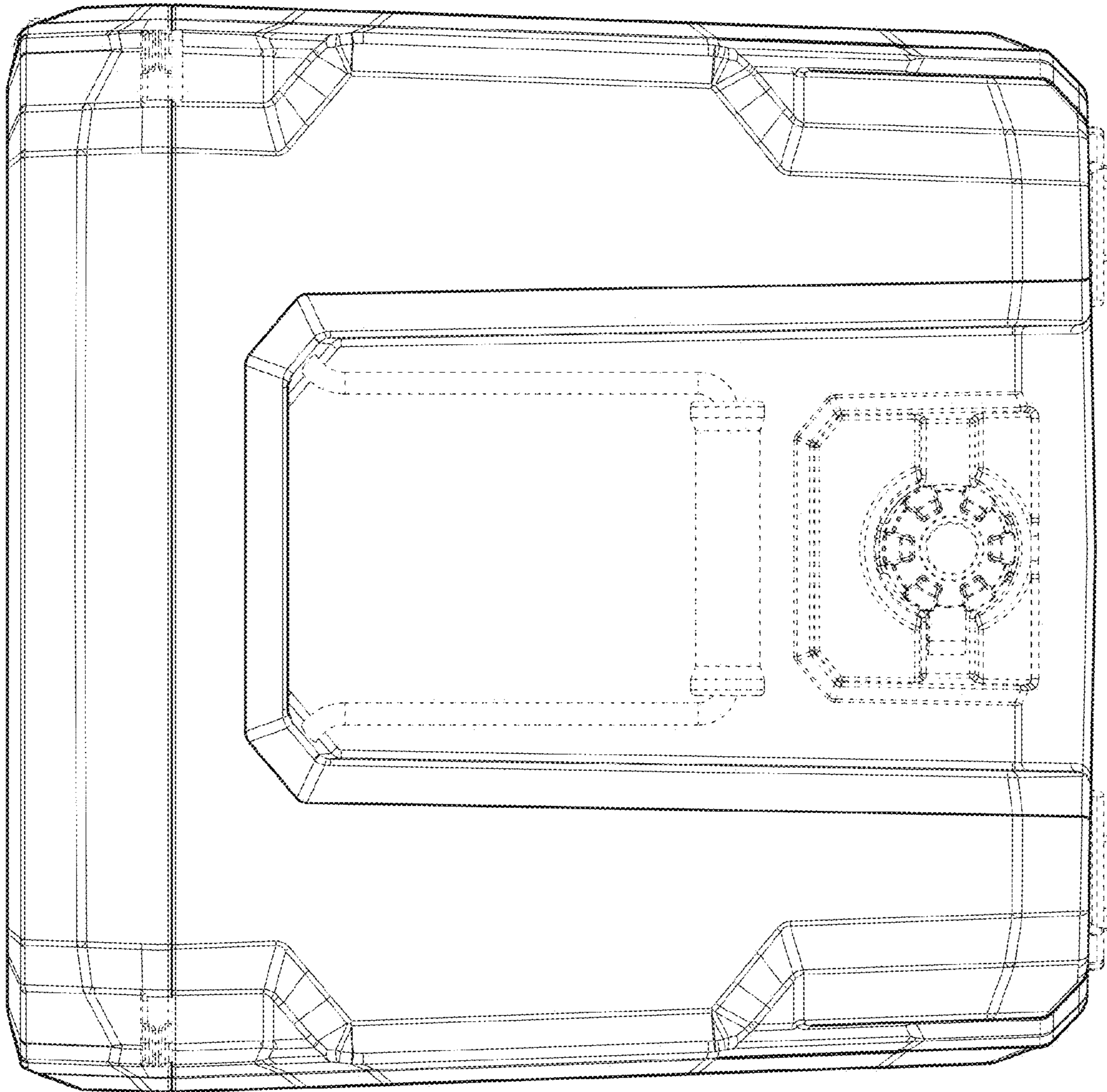


FIG. 5

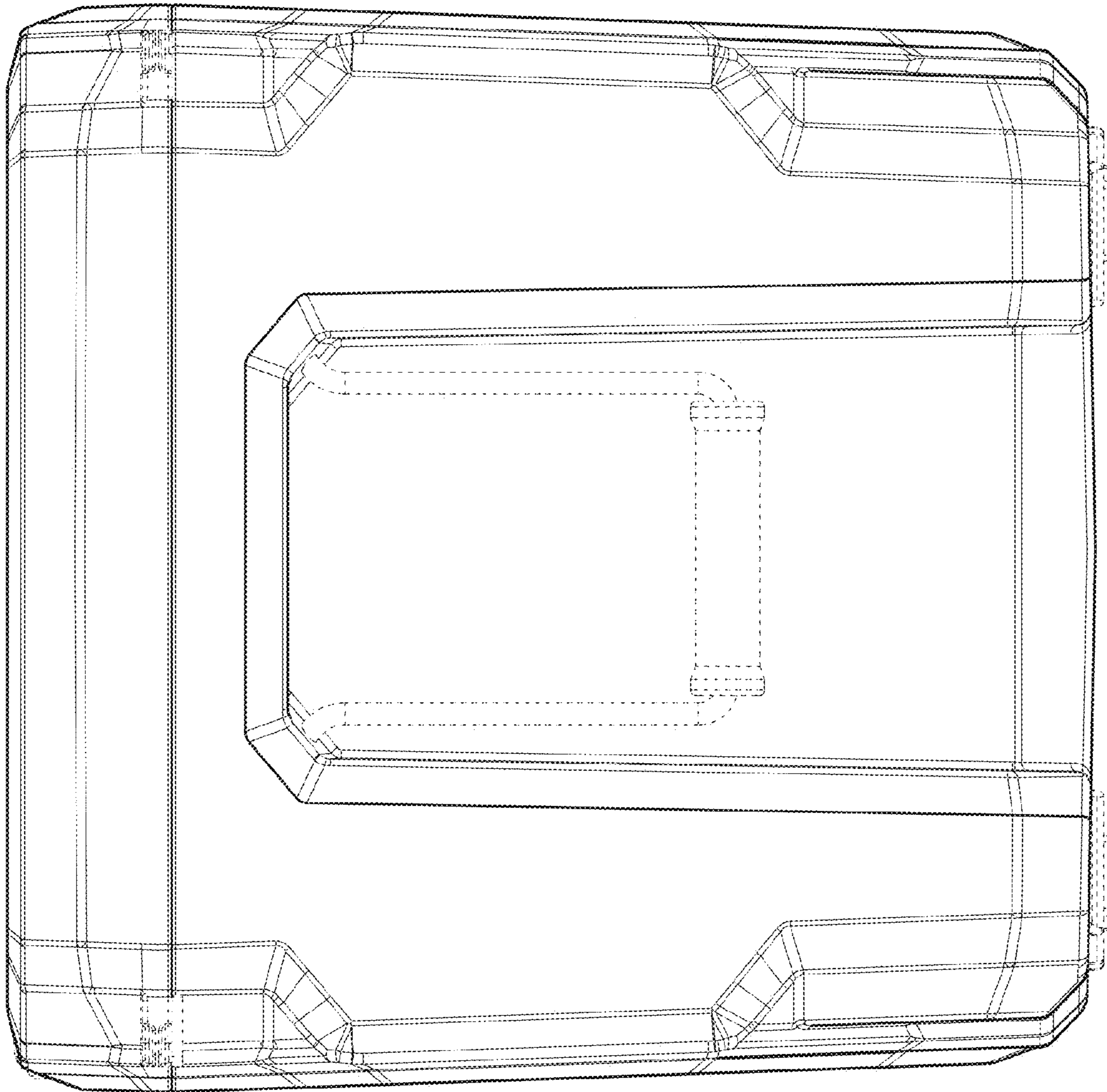


FIG. 6

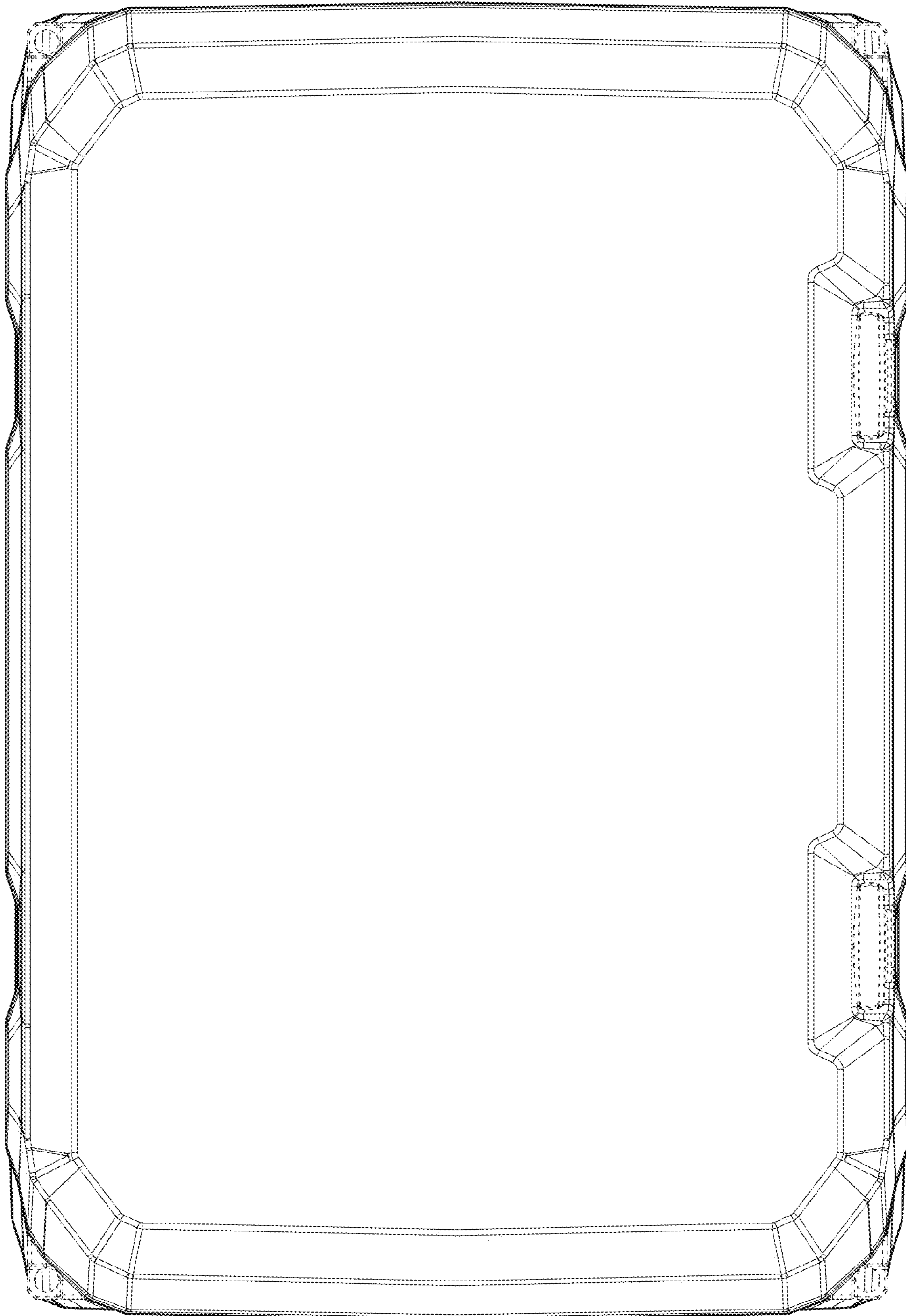


FIG. 7

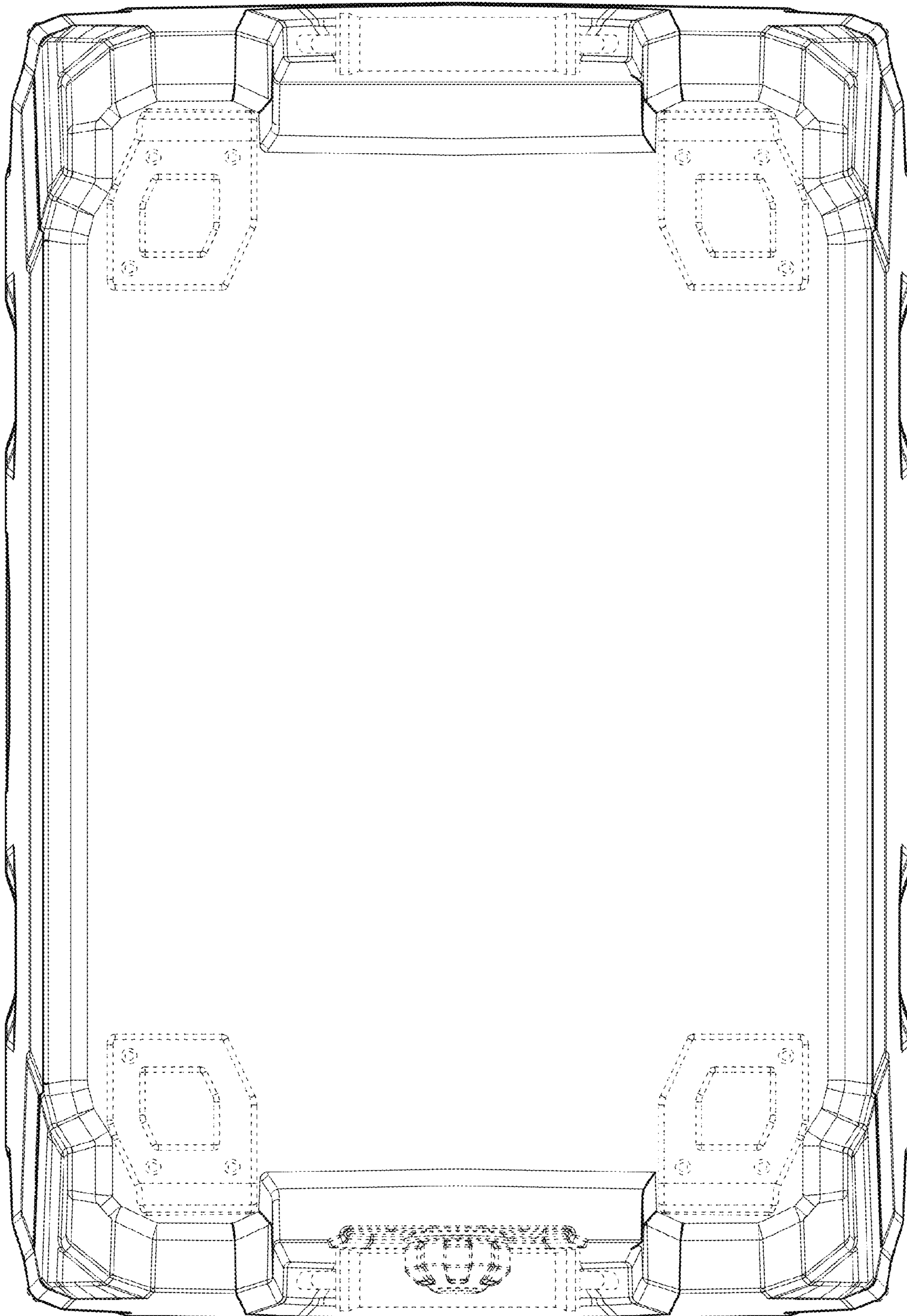


FIG. 8