



US00D904127S

(12) **United States Design Patent** (10) **Patent No.:** **US D904,127 S**
Song (45) **Date of Patent:** **** Dec. 8, 2020**

(54) **SPICE RACK**

OTHER PUBLICATIONS

(71) Applicant: **Xiaolian Song**, Shenzhen (CN)

Spice Rack Organizer | posted at Amazon.com, posted on Jan. 5, 2019, © 1996-2020 Amazon.com, [online], [site visited Aug. 28, 2020]. Available from Internet, <URL:https://www.amazon.com/gp/product/B07MLP3TXD/> (Year: 2019).*

(72) Inventor: **Xiaolian Song**, Shenzhen (CN)

Luhan Spice Rack | posted at Amazon.com, no posting date, © 1996-2020 Amazon.com, [online], [site visited Aug. 28, 2020]. Available from Internet, <URL:https://www.amazon.com/luhan-Commercial-Restaurant-Multifunctional-Wall-Mounted/dp/B083CQ3DMN/> (Year: 2020).*

(**) Term: **15 Years**

(21) Appl. No.: **29/739,269**

(22) Filed: **Jun. 24, 2020**

(51) **LOC (12) Cl.** **07-99**

* cited by examiner

(52) **U.S. Cl.**

Primary Examiner — Susan E Krakower

USPC **D7/600.1**

Assistant Examiner — Andrew Kerr

(58) **Field of Classification Search**

USPC D7/590, 600.1, 600.2, 600.3, 600.4, 387,
D7/401.1, 213; D6/512, 524, 525, 552,
D6/553, 556, 558, 566, 567, 569, 570,
D6/574; D9/737, 741, 756, 759, 760,
D9/761

(57) **CLAIM**

CPC A47J 47/16; A47B 47/00; A47B 47/0091;
A47B 81/00; A47B 81/007; A47F 7/00;
A47F 5/10; A47F 5/13

The ornamental design for a spice rack, as shown and described.

See application file for complete search history.

DESCRIPTION

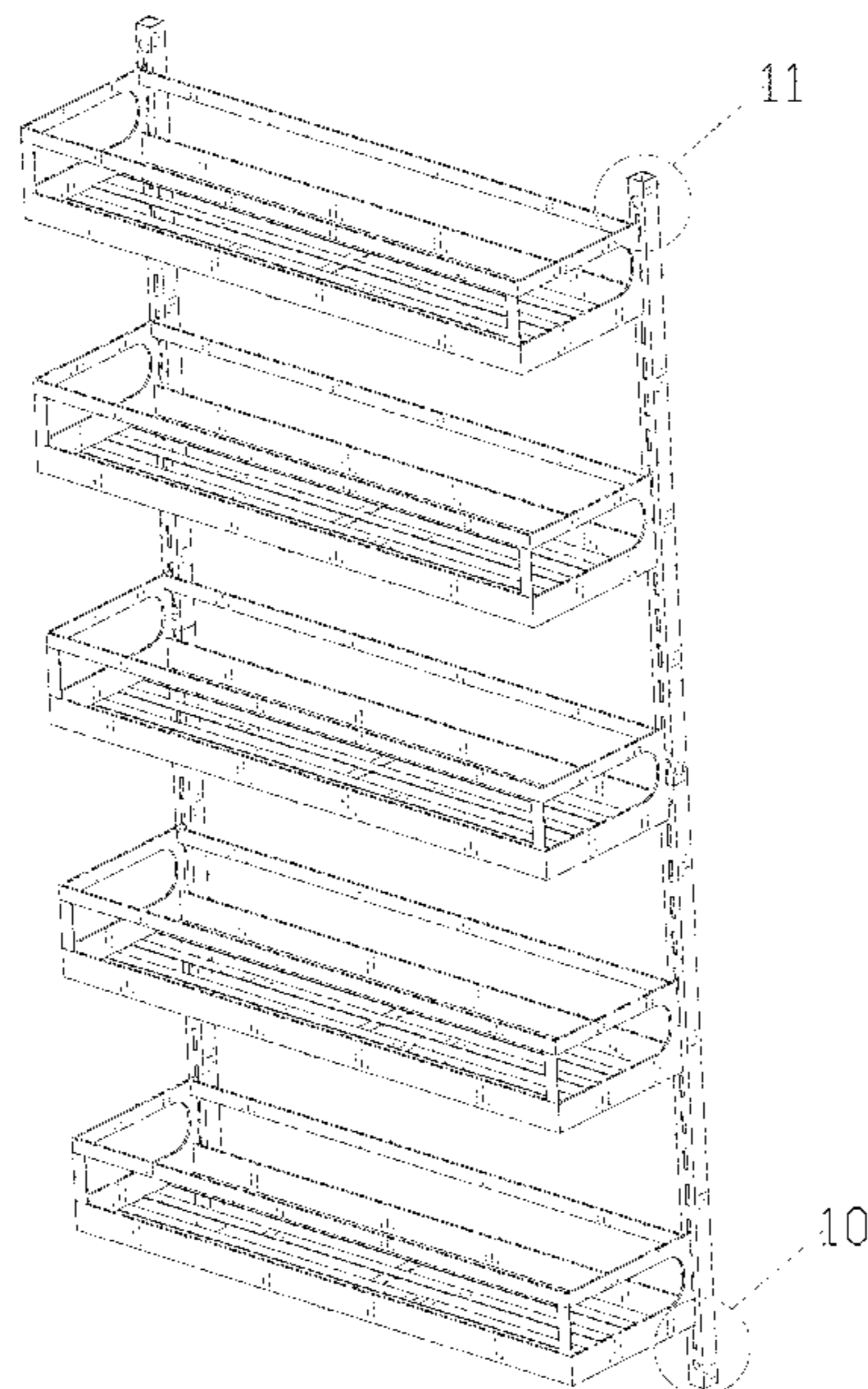
(56) **References Cited**

U.S. PATENT DOCUMENTS

| | | | | | |
|--------------|------|---------|----------------|-------|------------|
| 1,706,081 | A * | 3/1929 | Schulze | | A47B 55/02 |
| | | | | | 211/106 |
| D463,697 | S * | 10/2002 | Klein | | D6/514 |
| D568,116 | S * | 5/2008 | Goodman | | D6/525 |
| D650,203 | S * | 12/2011 | Klein | | D6/677.1 |
| D652,684 | S * | 1/2012 | Herrera | | D7/600.1 |
| D677,530 | S * | 3/2013 | Goodman | | D7/600.4 |
| D769,074 | S * | 10/2016 | Tsai | | D7/600.4 |
| D839,641 | S * | 2/2019 | Cao | | D6/675.2 |
| D873,081 | S | 1/2020 | Goodman et al. | | |
| D880,949 | S | 4/2020 | Repko | | |
| D881,652 | S | 4/2020 | Repko | | |
| 2019/0038110 | A1 * | 2/2019 | Manooki | | A47B 81/04 |

FIG. 1 is a perspective view of a spice rack showing my new design;
FIG. 2 is another perspective view thereof;
FIG. 3 is a front elevational view thereof;
FIG. 4 is a rear elevational view thereof;
FIG. 5 is a left side elevational view thereof;
FIG. 6 is a right side elevational view thereof;
FIG. 7 is an enlarged top plan view thereof;
FIG. 8 is an enlarged bottom plan view thereof;
FIG. 9 is an exploded perspective view of the spice rack;
FIG. 10 is an enlarged view of portion 10 shown in FIG. 1;
and,
FIG. 11 is an enlarged view of portion 11 shown in FIG. 1.
The dot-dash broken lines in the drawing views, designating the enlargement areas, depict boundary lines which form no part of the claimed design.

1 Claim, 11 Drawing Sheets



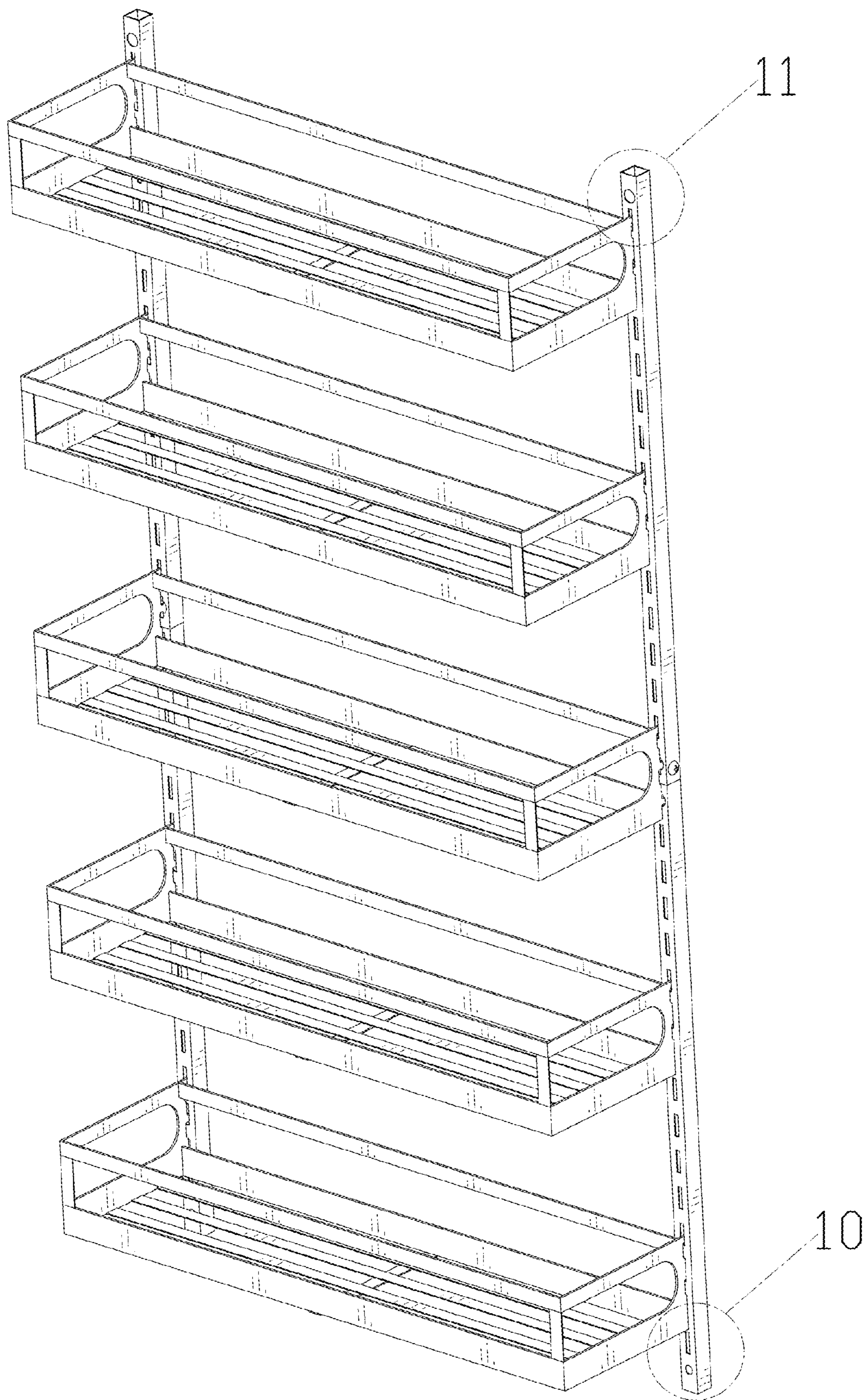


FIG. 1

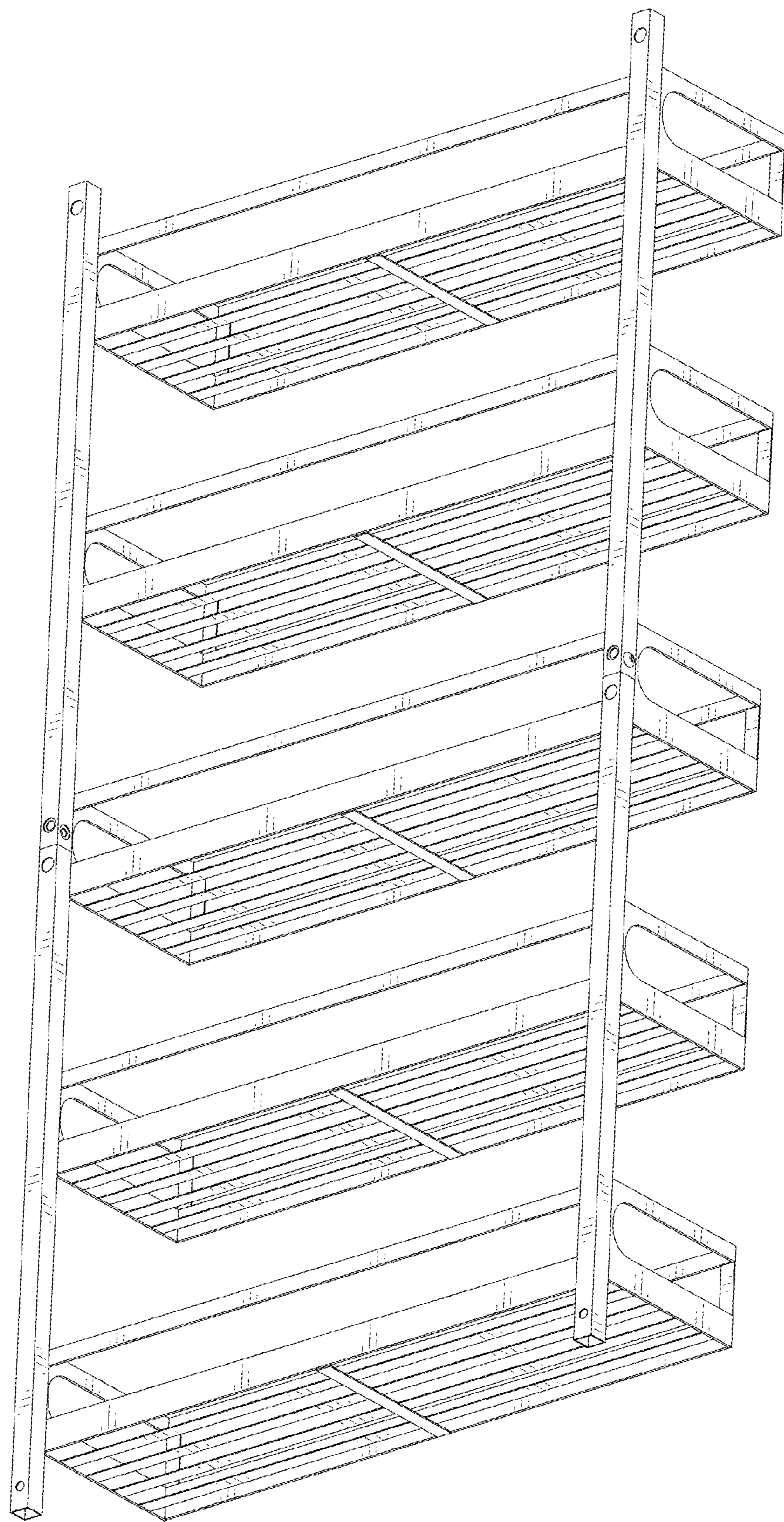


FIG. 2

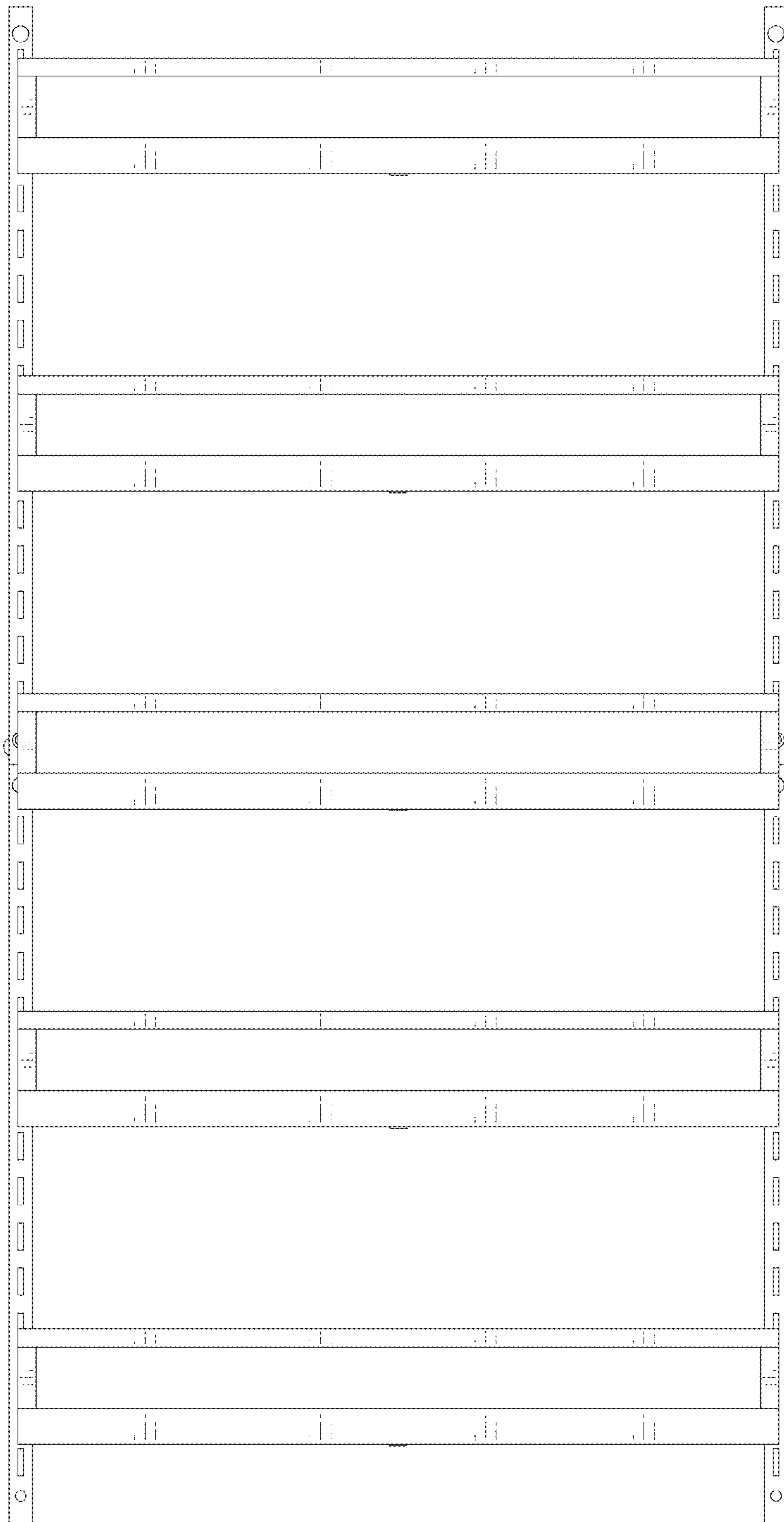


FIG. 3

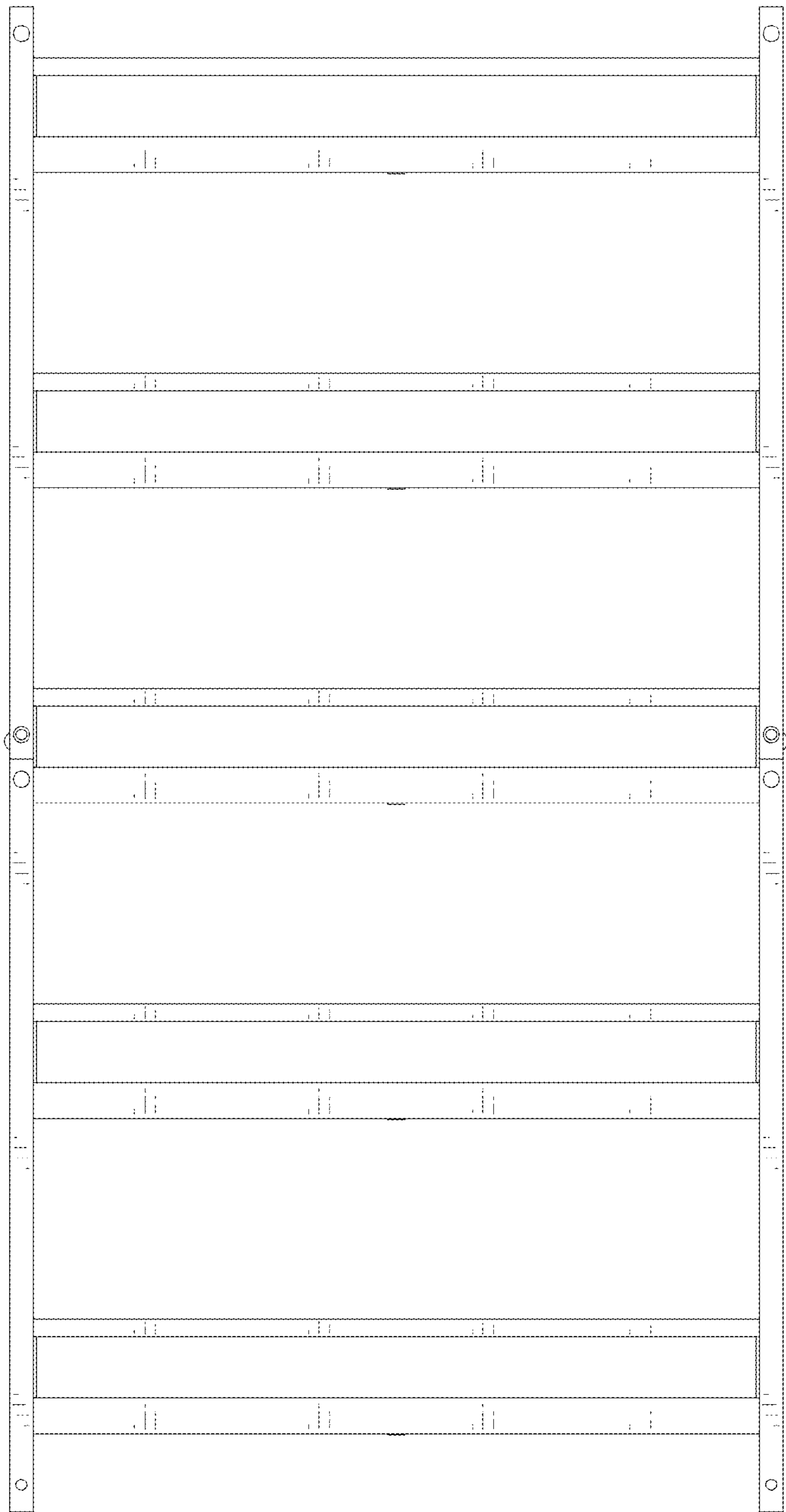


FIG. 4

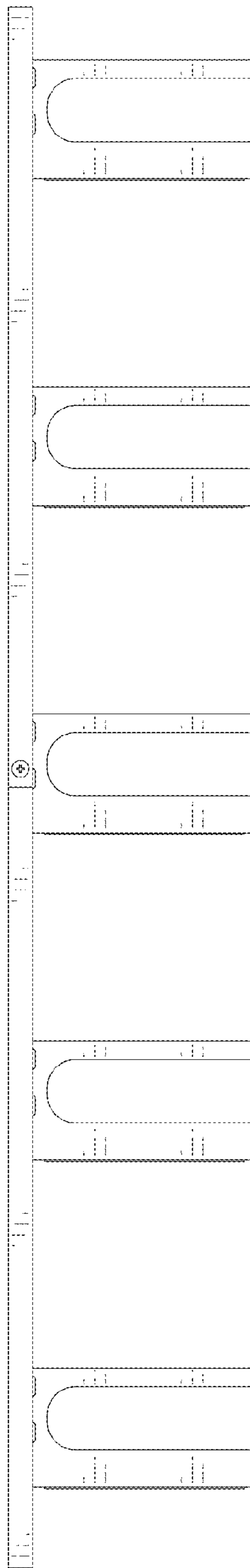


FIG. 5

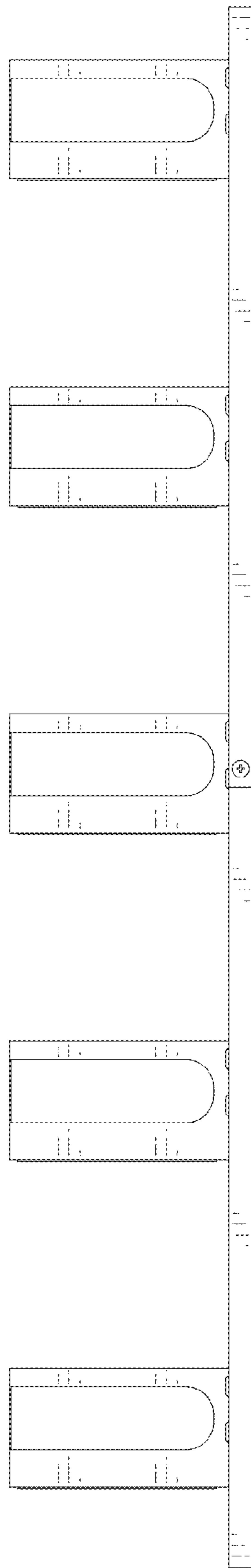


FIG. 6

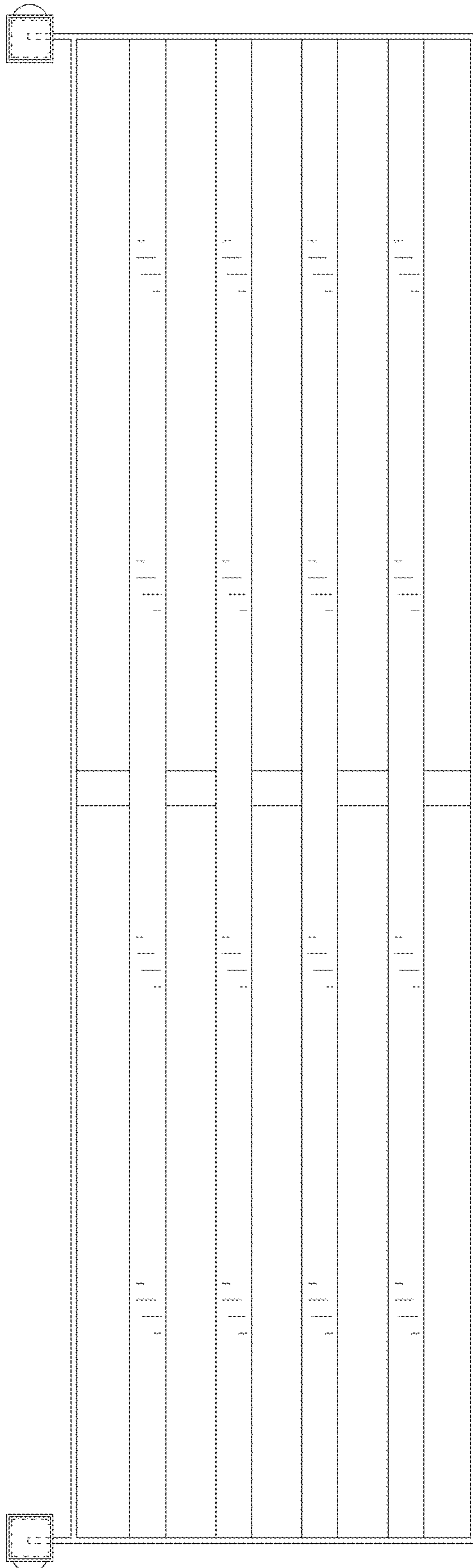


FIG. 7

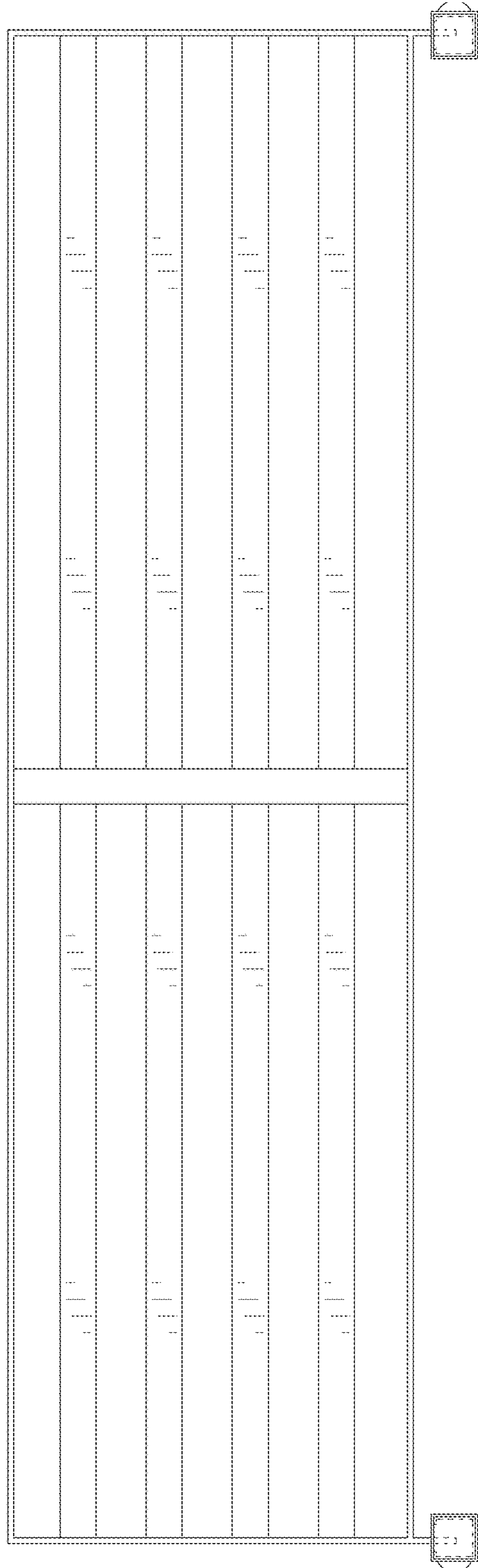


FIG. 8

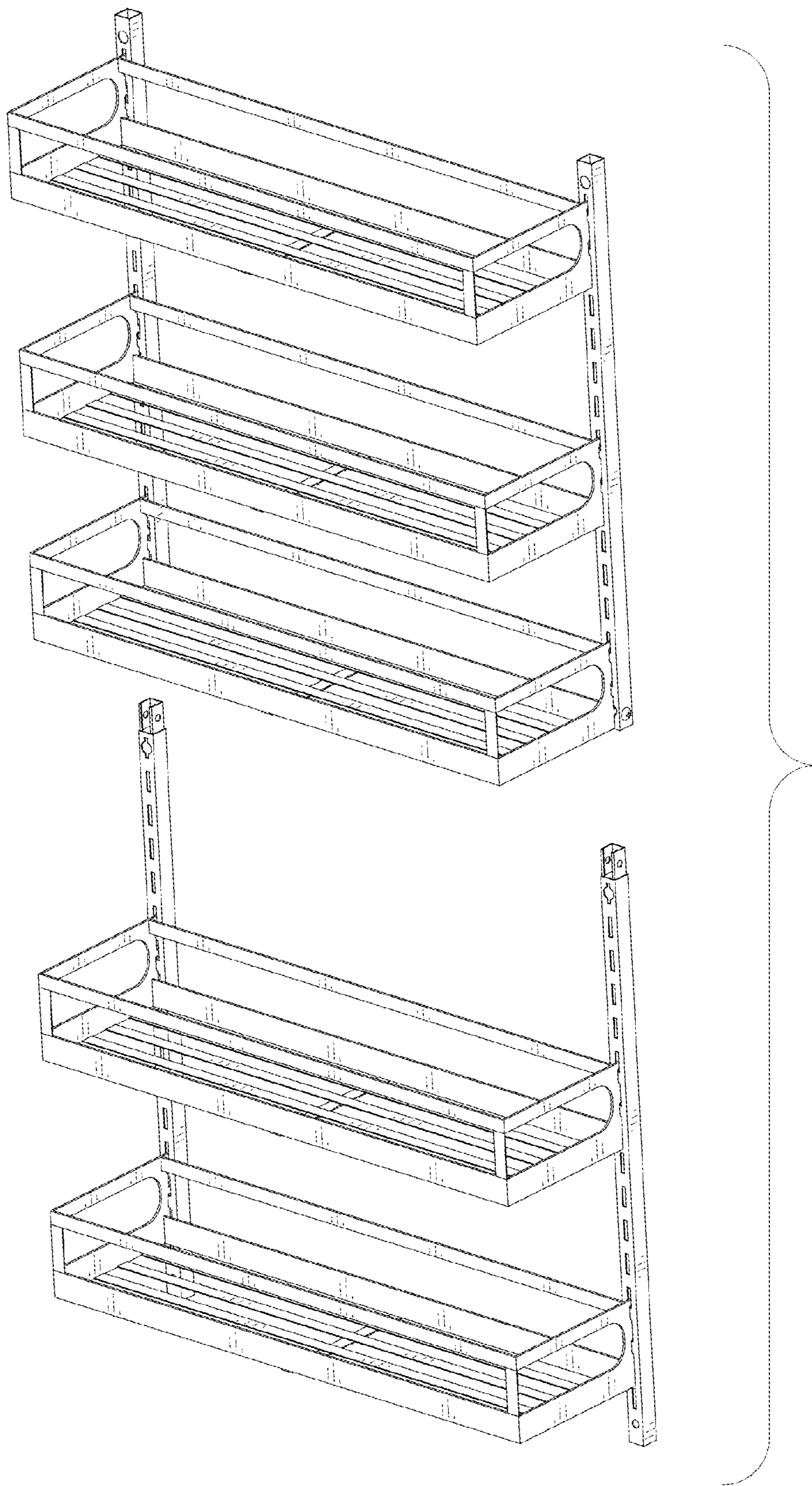


FIG. 9

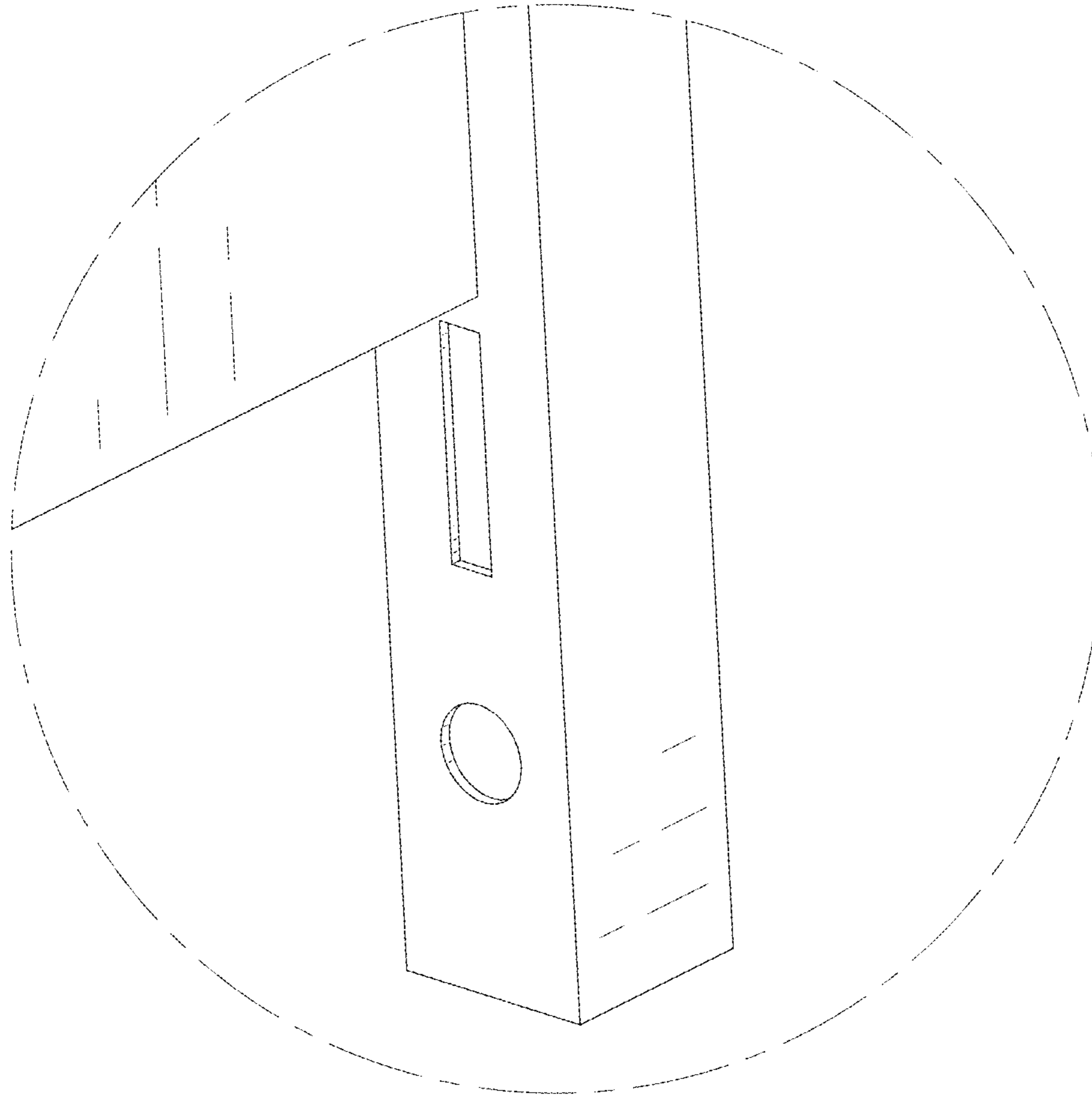


FIG. 10

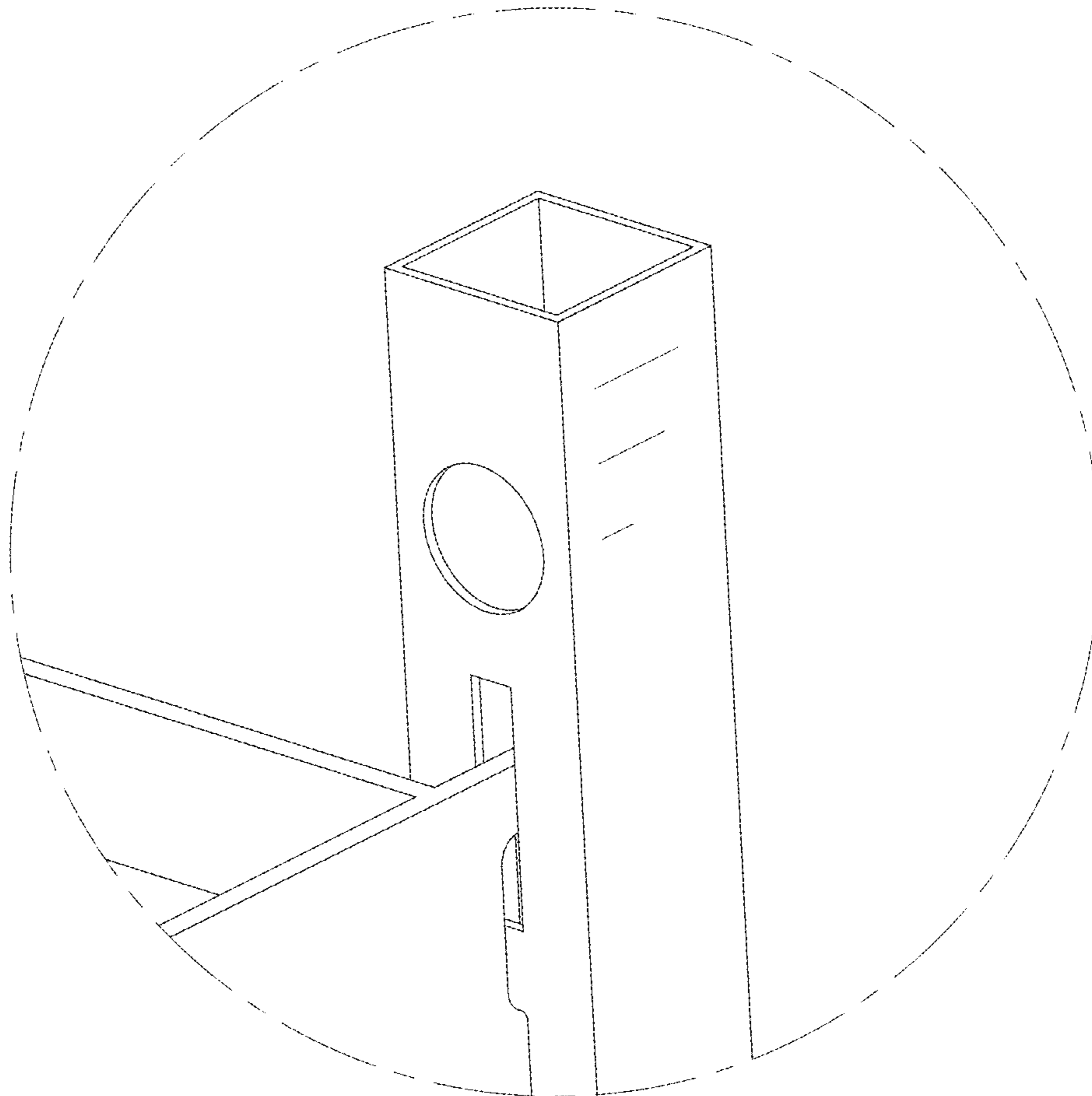


FIG. 11